

REMOVABLE BC READER



FCC ID:OAH-3980917

NOTE: The manufacturer is not responsible for any radio or TV interference caused by unauthorized modifications to this equipment. Such modifications could void the user's authority to operate the equipment.

NOTE: This equipment has been tested and found to comply with the limits for a Class B digital device, pursuant to Part 15 of the FCC Rules. These limits are designed to provide reasonable protection against harmful interference in a residential installation.

This equipment generates, uses and can radiate radio frequency energy and, if not installed and used in accordance with the instructions may cause harmful interference to radio communications. However, there is no guarantee that interference will not occur in a particular installation. If this equipment does cause harmful interference to radio or television reception, which can be determined by turning the equipment off and on, the user is encourage to try to correct the interference by one or more of the following measures:

- Reorient or relocate the receiving antenna.
- Increase the separation between the equipment and receiver.
- Connect the equipment into an outlet on a circuit different from that to which the receiver is connected.
- Consult the dealer or an experienced radio/TV technician for help.

IC ID: 22752-3980917

This device complies with Industry Canada licence-exempt RSS standard(s).

Operation is subject to the following two conditions:

(1) this device may not cause interference, and (2) this device must accept any interference, including interference that may cause undesired operation of the device.

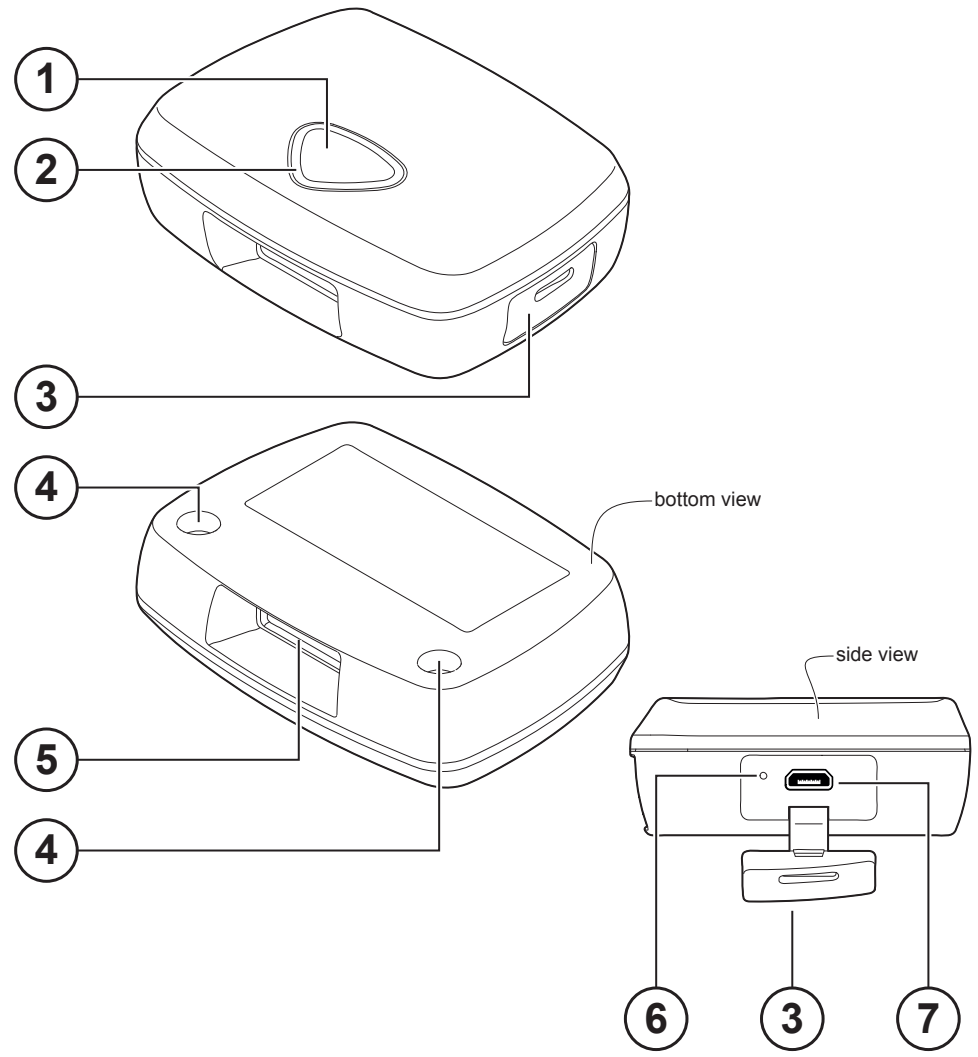
Le présent appareil est conforme aux CNR d'Industrie Canada applicables aux appareils radio exempts de licence. L'exploitation est autorisée aux deux conditions suivantes : (1) l'appareil ne doit pas produire de brouillage, et (2) l'utilisateur de l'appareil doit accepter tout brouillage radioélectrique subi, même si le brouillage est susceptible d'en compromettre le fonctionnement.



1 DESCRIPTION

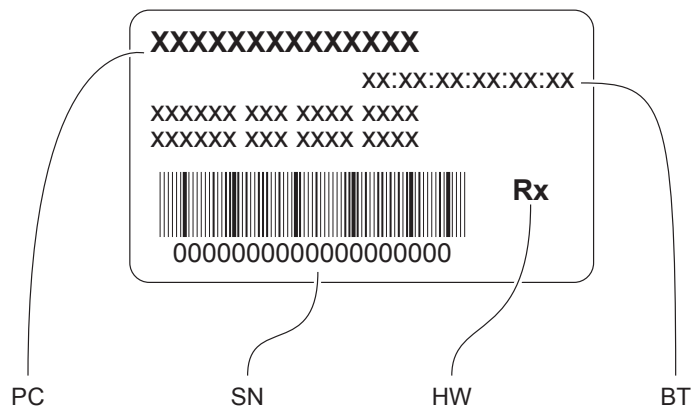
1.1 Removable barcode reader (BCR) components

- 1. Power key
- 2. Status LED
- 3. Connector cover
- 4. Slot for placement on printer
- 5. Scan window
- 6. Reset key
- 7. Micro-USB port

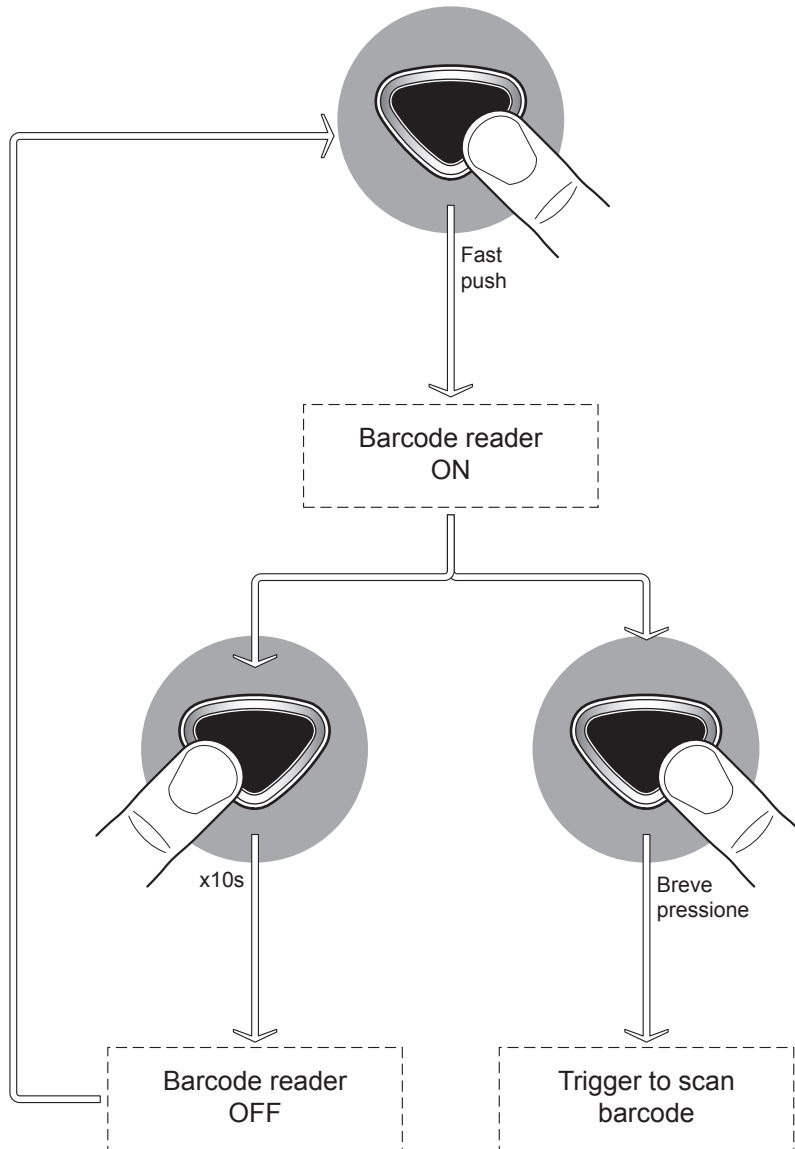


1.2 Product label

- PC = Product code (14 digits)
- SN = Serial number
- HW = Hardware release








1.3 Power key functions



1.4 Status LED flashes in stand-alone mode


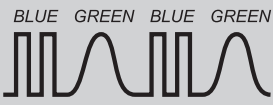
The status LED indicates the hardware status of the removable barcode reader. Given in the table below are the various LED signals and the corresponding barcode reader status.

STATUS LED		DESCRIPTION
-	OFF	BARCODE READER OFF
GREEN	ON	BARCODE READER ON USB CONNECTED
BLUE		BARCODE READER ON BLUETOOTH CONNECTED
		BARCODE READER ON BLUETOOTH NOT CONNECTED
ORANGE		LOW CHARGE
		POWER DOWN
BLUE / WHITE		BT DAT UPGRADE



1.5 Status LED flashes in docked mode

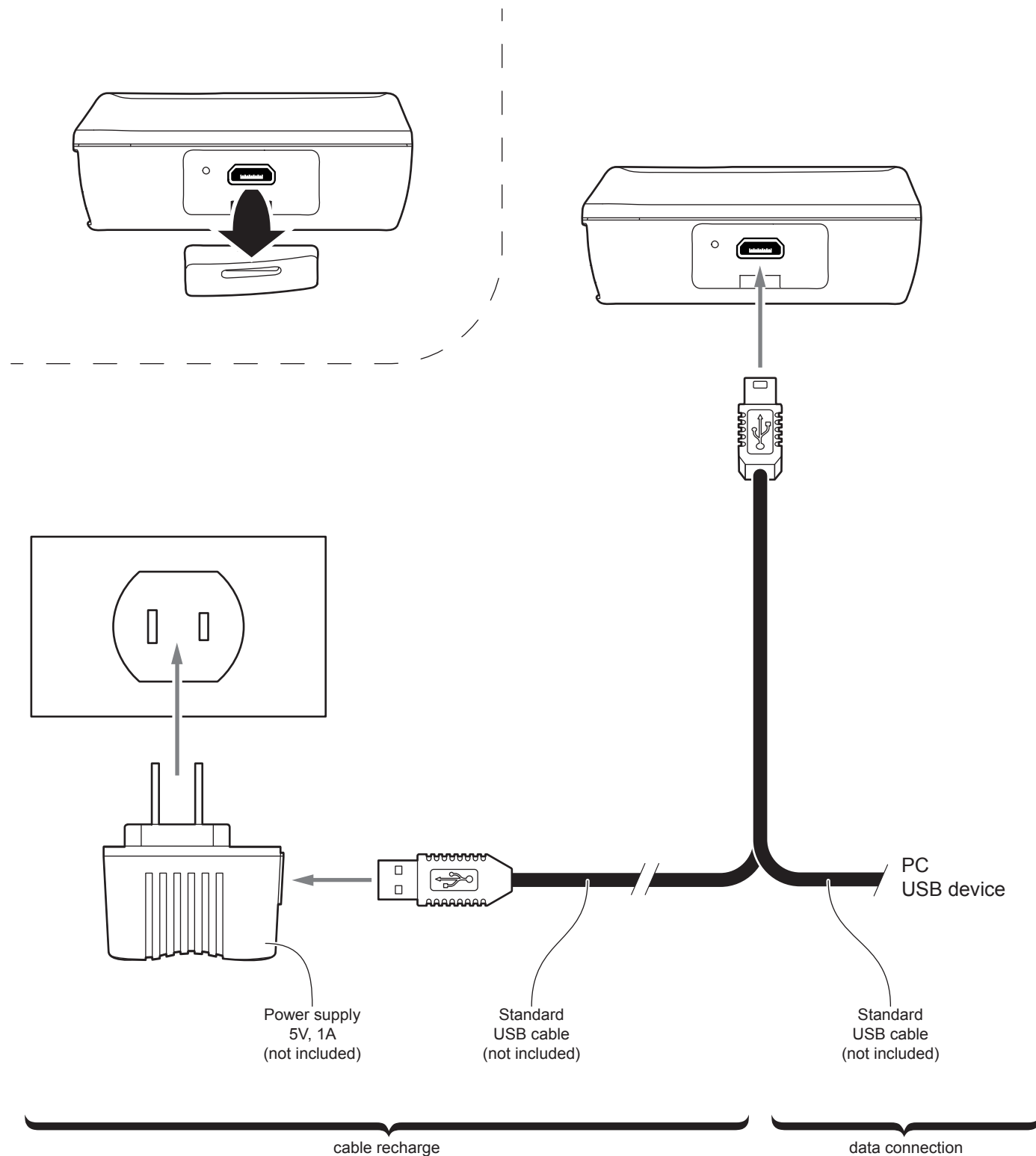
The status LED indicates the hardware status of the removable barcode reader. Given in the table below are the various LED signals and the corresponding barcode reader status.

STATUS LED		DESCRIPTION
-	OFF	BARCODE READER OFF
BLUE / GREEN		CHARGING BLUETOOTH CONNECTED
BLUE		CHARGING BLUETOOTH NOT CONNECTED

2 INSTALLATION

2.1 Connections

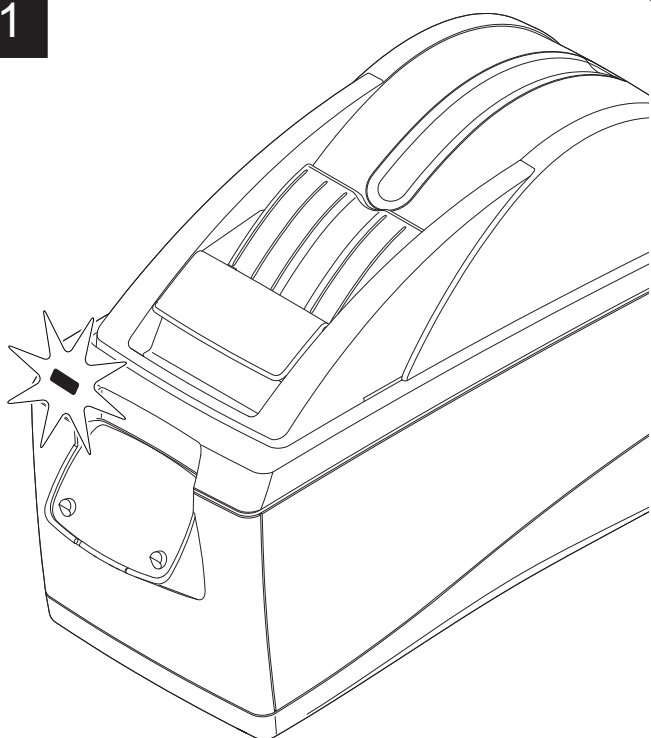
The following figure shows the possible connections for the removable barcode reader.





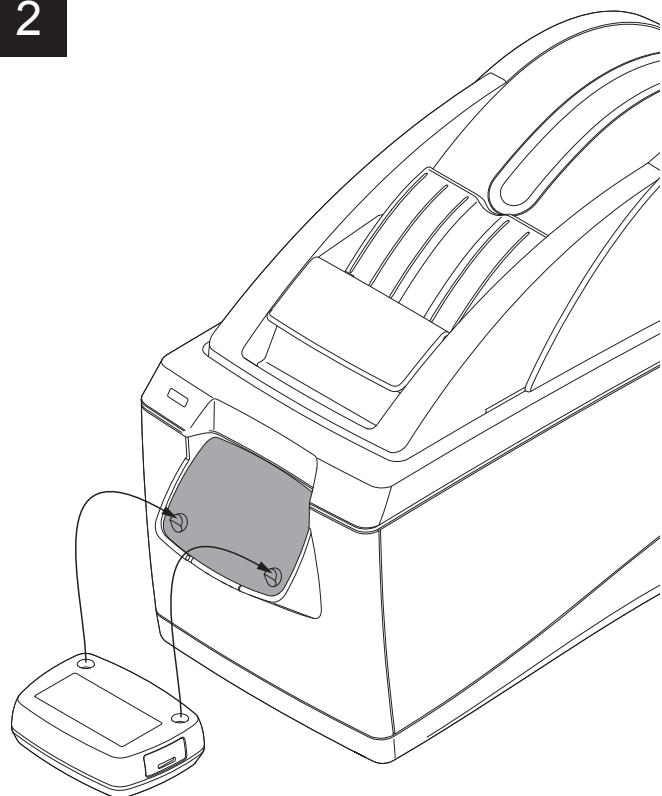
2.2 Docking on the printer unit

1



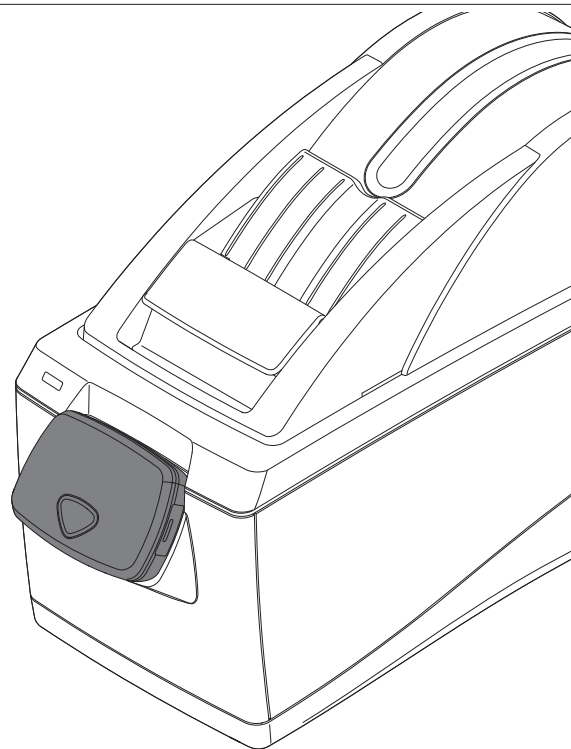
Turn on the printer
(see section PRINTER).

2



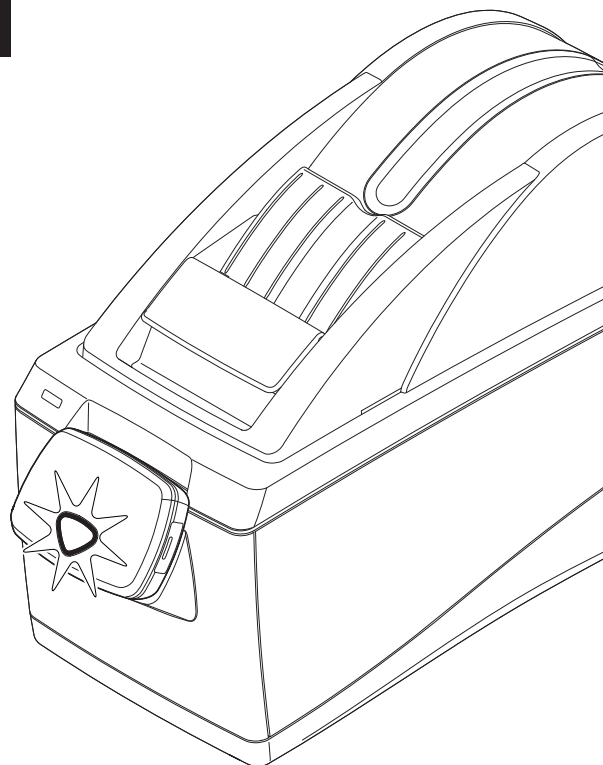
Locate the docking seat on the back of the reader
and on the recharge tray of the printer.

3



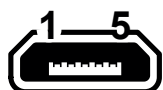
Place the removable barcode reader
on the printer.

4



The indicator lights up and
the barcode reader is ready and charging.

2.3 Pinout



Micro-USB INTERFACE
Micro-USB type B female connector

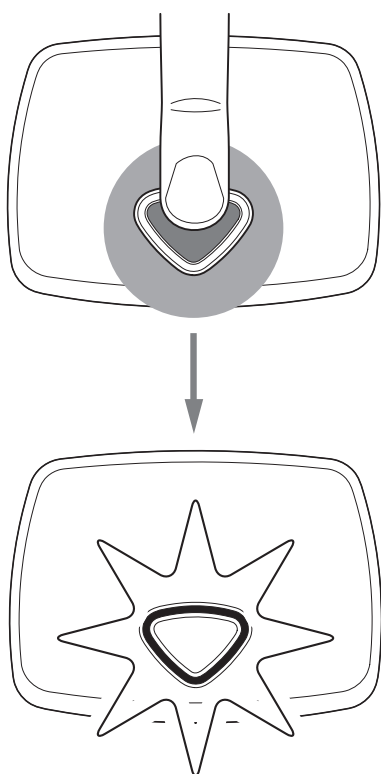
J4	1	+5VUSB	(out)
	2	BCR_USB-	
	3	BCR_USB+	
	4	n.c.	
	5	GND	
	SH1	GND	
	SH2	GND	
	SH3	GND	
	SH4	GND	
	SH5	GND	
	SH6	GND	



3 OPERATION

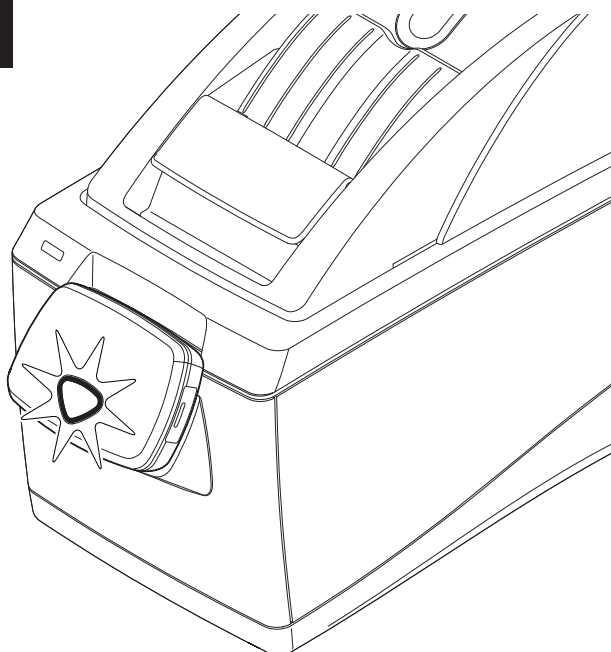
3.1 Switch the removable BC reader on/off

1a



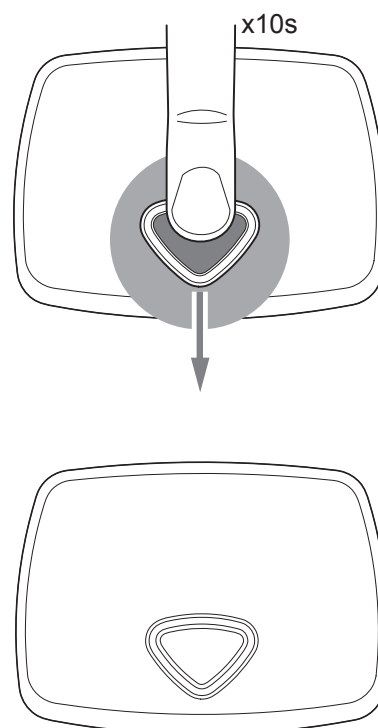
Press the key to turn on the removable barcode reader...

1b



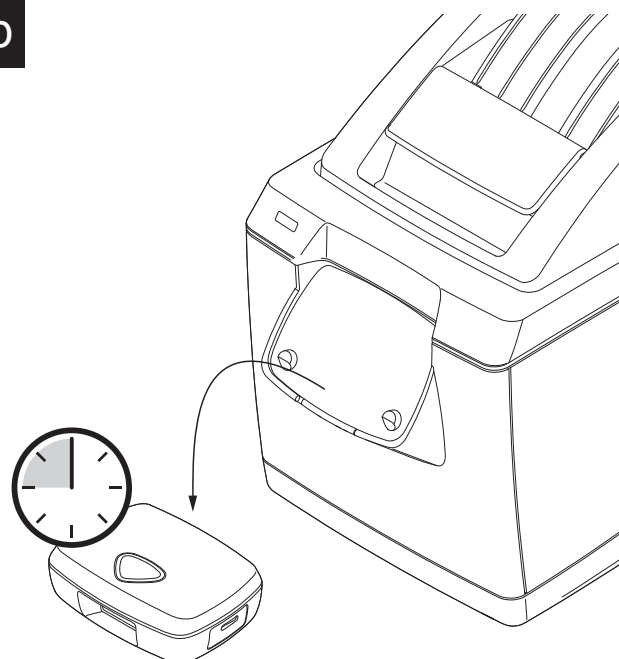
... or place it on the recharge tray on the printer.

2a



Press and hold the key for more than 10 seconds to turn off the barcode reader...

2b



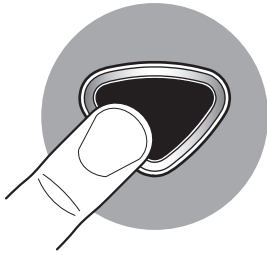
... or remove it from the recharge tray and wait for the automatic power off.



3.2 Bluetooth pairing with the host

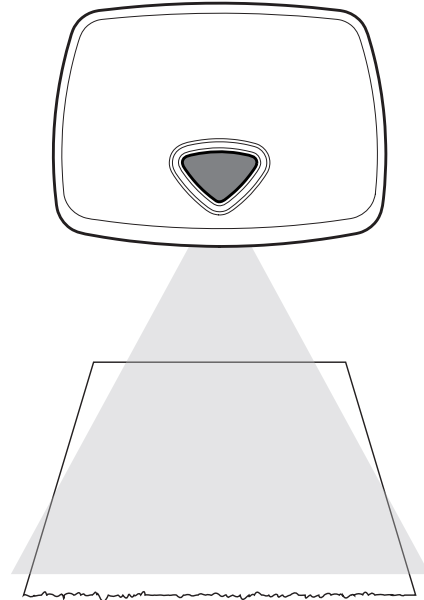
The removable barcode reader is able to communicate with a host device using the Bluetooth® technology. To pair the reader to the host device follows the procedure described below. Once that the pairing has been done successfully, the reader will be added to the list of Bluetooth® devices of the host. After the initial pairing it is not necessary to repeat the procedure.

1



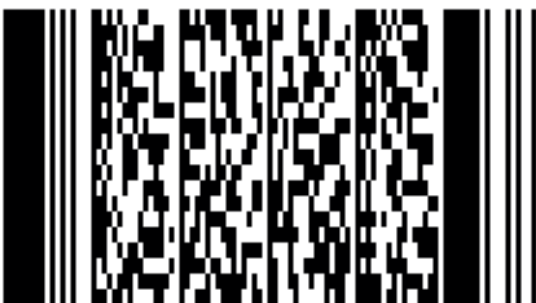
If the reader is turned off, press the button to turn it on (see previous paragraphs).

2



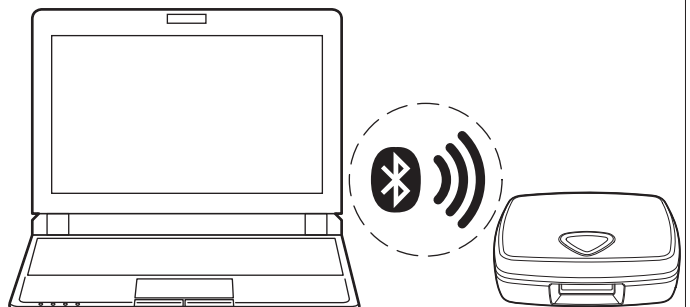
The reader starts and turns on scanner light for about 5 seconds, before being ready for next step.

3



Scan barcode to make removable barcode reader pairable. After the scan, device is pairable for about 2 minutes.

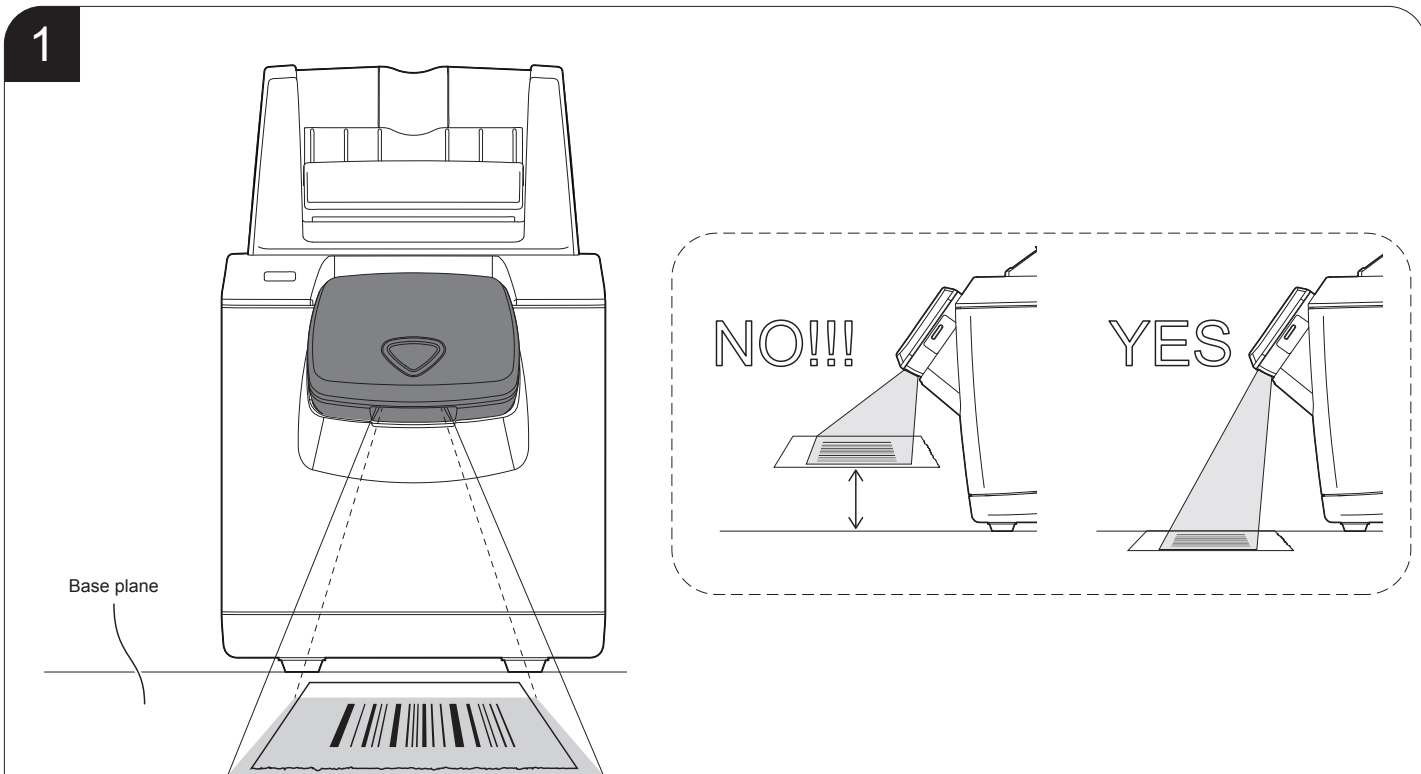
4



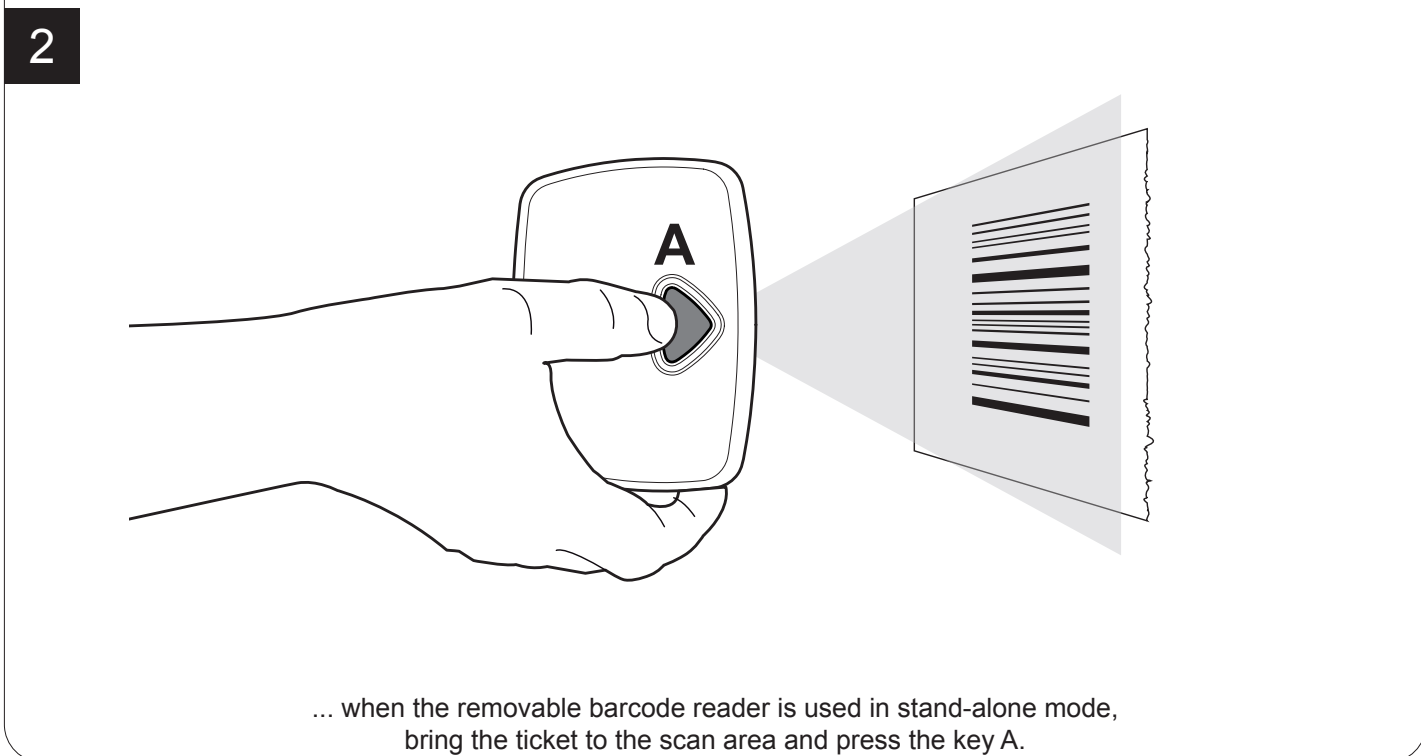
Perform pair/connect procedure from terminal/host.

3.3 Barcode reading

To ensure a correct reading of barcode, proceed as follows.



When the removable barcode reader is seated on the printer docking platform, place the ticket on the same base plane of printer and inside the scan area...



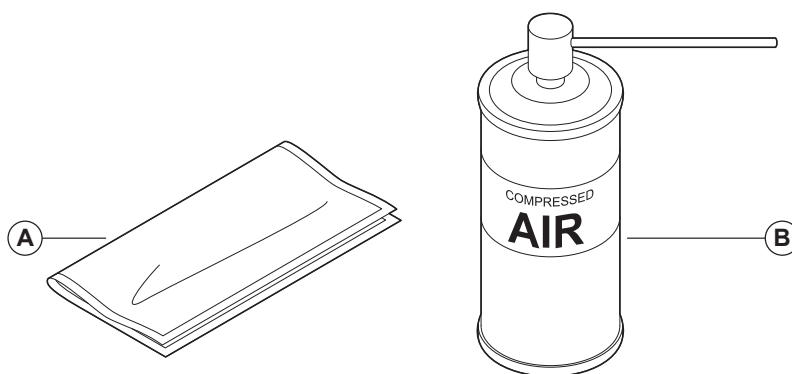


4 MAINTENANCE

4.1 Planning of cleaning operations

The regular cleaning of the printer keeps the print quality and extends its life. It is recommended to use only the indicated tools to prevent damage to the device components (see figure). If you use the printer in dusty environments, you must reduce the intervals between the cleaning operations.

- A. Microfiber wipe
- B. Compressed air



The following table shows the recommended planning for the cleaning operations.

REGULARITY	COMPONENT	TOOLS
EVERY 6 MONTHS OR AS NEEDED	Scan window	(A), (B)
	Case	(A)

For specific procedures, see the following pages.



4.2 Cleaning

For periodic cleaning of the removable barcode reader, see the instructions below.

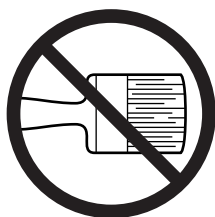
Case

1



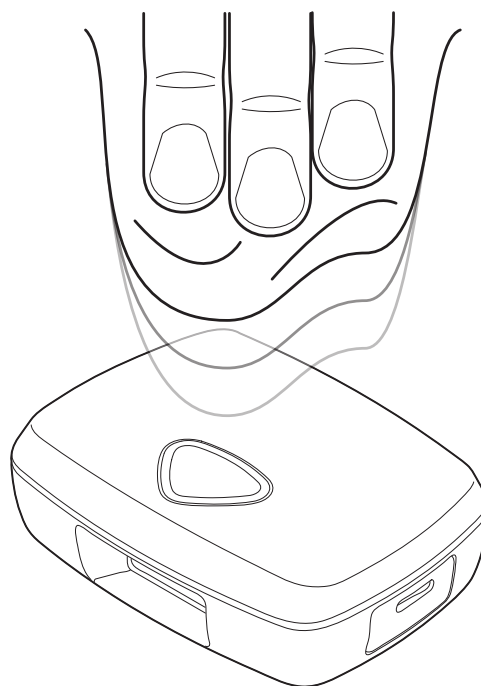
Turn off the barcode reader
(see previous paragraphs).

2



ATTENTION:
Do not use alcohol, solvents or hard brushes.
Do not let water or other liquids
get inside the device.

3



Clean the case of barcode reader
by using a soft cloth.

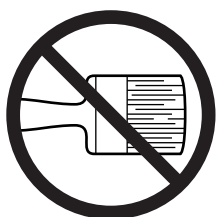
Scan window

1



Turn off the barcode reader
(see previous paragraphs).

2



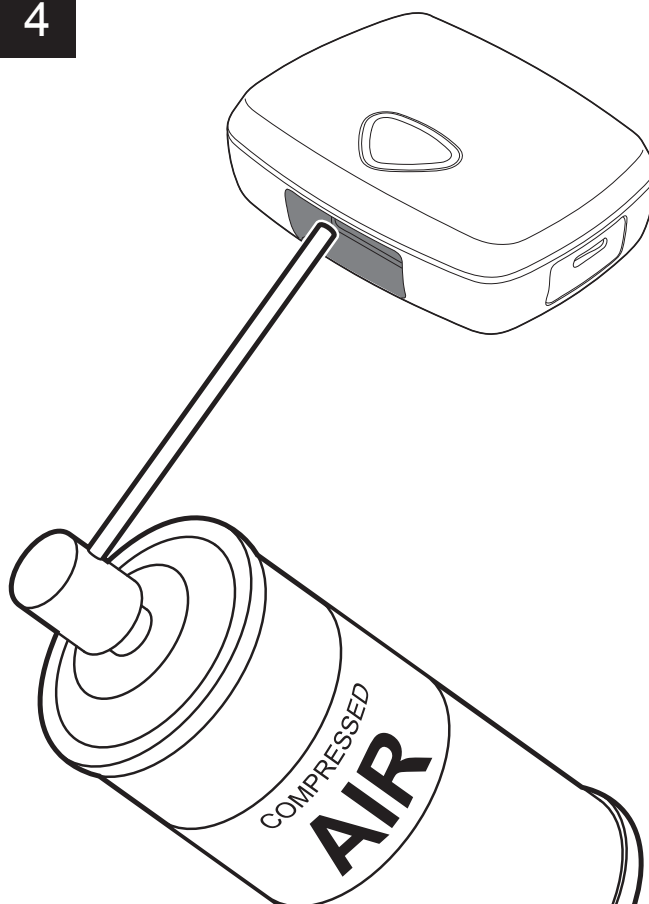
ATTENTION:
Do not use alcohol, solvents or hard brushes.
Do not let water or other liquids
get inside the device.

3



Clean the scan window
by using a soft cloth...

4



... and clean the hard to reach points
with compressed air.





5 SPECIFICATIONS

5.1 Hardware specifications

INTERFACES	
Micro-USB Port	480 Mbit/s (USB 2.0 high speed)
Bluetooth®	4.0 (BLE)
SCANNER UNIT	
Sensor resolution	1280 x 800 pixels
Field of view	Horizontal = 45° Vertical = 28°
Yaw, pitch and roll	Yaw tolerance = ± 60° Pitch tolerance = ± 60° Roll tolerance = 360°
Focal distance	19.4 cm (from front of engine)
Aiming LED	610 nm LED
Illumination	1 Hyper Red 660 nm LED
Ambient light	Max 107 639 lux (direct sunlight)
DECODE RANGES	
5 mil Code 128	near = 7.1 cm far = 20.8 cm
REGULATORY	
LED classification	Exempt risk group LED product per IEC/EN 62471
BATTERY SPECIFICATIONS	
Battery	Li-Po 3.7V 470mA Battery pack
Recharge power supply	5 Vdc - Max. 500mA / USB
Recharge cycle	Less than 3 hours to 80%
Battery life (standby, stand-alone mode)	min. 3 hours



BATTERY SPECIFICATIONS

Power supply	5 V
--------------	-----

Medium consumption	0.3 A
--------------------	-------

ENVIRONMENTAL CONDITIONS

Operating temperature	from 0°C to +50°C
-----------------------	-------------------

Relative humidity	from 10% Rh to 85% Rh
-------------------	-----------------------

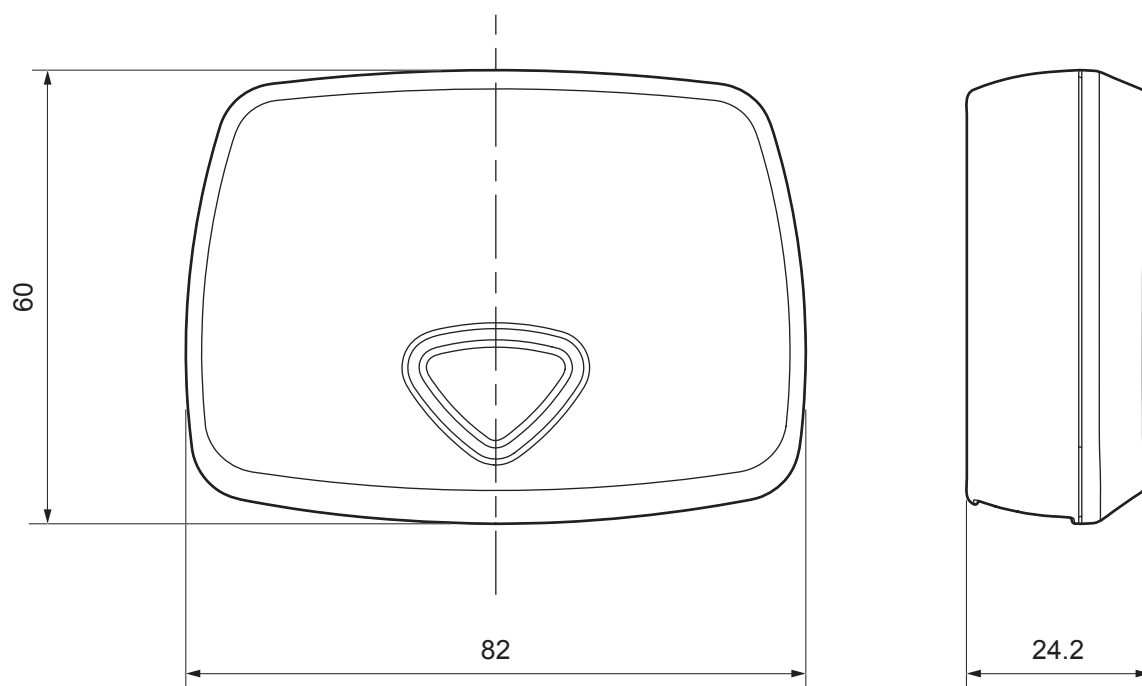
Storage temperature	from -20 °C to +70 °C
---------------------	-----------------------

Storage relative humidity	from 10% Rh to 90% Rh
---------------------------	-----------------------



5.2 Removable barcode reader dimensions

Length	82 mm
Height	24.2 mm
Width	60 mm
Weight	74 g

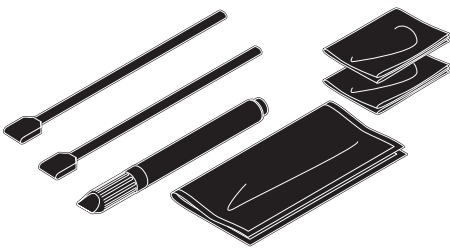


NOTE: All the dimensions shown in figures are in millimetres.



6 CONSUMABLES

The following table shows the list of available consumables for the barcode reader:

DESCRIPTION	CODE
CLEANING KIT (for cleaning procedure, see chapter 6)	44000000003400 





7 TECHNICAL SERVICE

In case of failure, send the 4 pieces of information listed below to our support team:

1. Product code
2. Serial number
3. Hardware release

To get the necessary data, proceed as follows:

1

XXXXXXXXXXXXXXXXXX

XX:XX:XX:XX:XX:XX

XXXXXX XXX XXXX XXXX

XXXXXX XXX XXXX XXXX

Rx

00000000000000000000

Prendere nota dei dati riportati
sull'etichetta di prodotto
(vedere paragrafi precedenti).

2

↓

Customer Service Department:

support@custom.it
(worldwide)

or

support@customamerica.com
(specific for North/South American customers)

Inviare all'assistenza tecnica
una e-mail contenente
i dati raccolti.

CUSTOM[®]

CUSTOM S.p.A.

World Headquarters

Via Berettine, 2/B - 43010 Fontevivo, Parma ITALY

Tel. +39 0521 680111 - Fax +39 0521 610701

info@custom.biz - www.custom.biz

All rights reserved

www.custom.biz