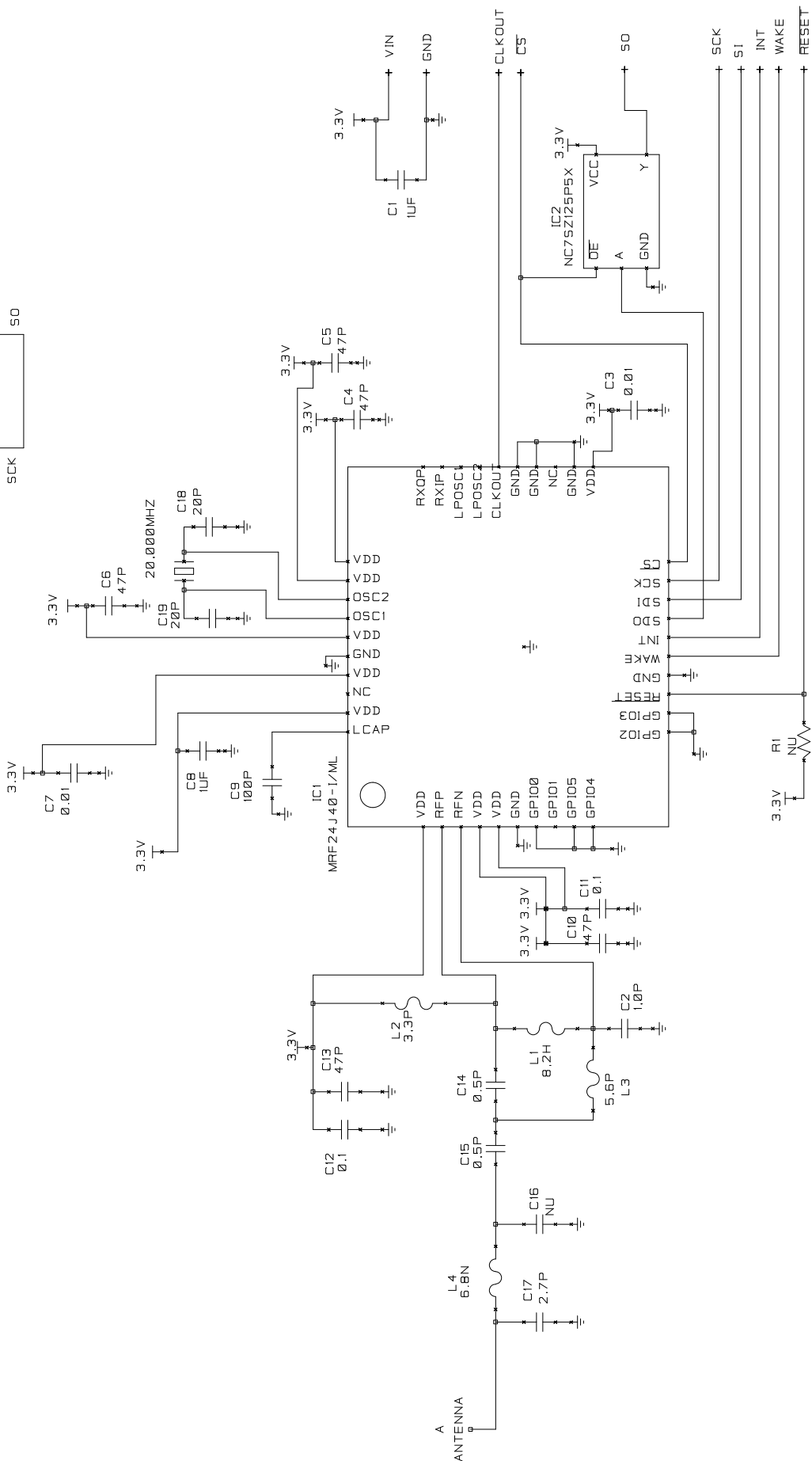
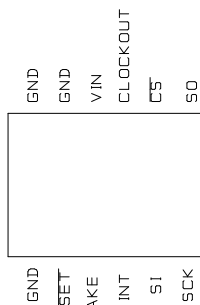


# CONNECTIONS



TO DIGITAL BOARD

COMPANY NAME		MICROCHIP	
DATE		3/24/08	SCALE
SIZE		B	FSCM NO.
MODULE		802.15.4	
SHEET		1	
DWG NO.		R3	

**MRF24J40MA Module Bill of Materials**

Rev. 3 - April 15, 2008

<b>Designator</b>	<b>DESCRIPTION</b>	<b>MANUFACTURER</b>	<b>Part No.</b>
C1	CHIP CAPACITOR 0402 X5R 1U	MURATA	GRM155R60J105ME19D
C2	CHIP CAPACITOR 0402 COG 1.0P	JOHANSON TECH	500R07S1R0BV4T
C3	CHIP CAPACITOR 0402 X7R 10N	MURATA	GRM155R71E103KA01D
C4	CHIP CAPACITOR 0402 COG 47P	MURATA	GRM1555C1H470JZ01D
C5	CHIP CAPACITOR 0402 COG 47P	MURATA	GRM1555C1H470JZ01D
C6	CHIP CAPACITOR 0402 COG 47P	MURATA	GRM1555C1H470JZ01D
C7	CHIP CAPACITOR 0402 X7R 10N	MURATA	GRM155R71E103KA01D
C8	CHIP CAPACITOR 0402 X5R 1U	MURATA	GRM155R60J105ME19D
C9	CHIP CAPACITOR 0402 COG 100P	MURATA	GRM1555C1H101JZ01D
C10	CHIP CAPACITOR 0402 COG 47P	MURATA	GRM1555C1H470JZ01D
C11	CHIP CAPACITOR 0402 X5R 100N	MURATA	GRM155R61A104KA01D
C12	CHIP CAPACITOR 0402 X5R 100N	MURATA	GRM155R61A104KA01D
C13	CHIP CAPACITOR 0402 COG 47P	MURATA	GRM1555C1H470JZ01D
C14	CHIP CAPACITOR 0402 COG 0.5P	JOHANSON TECH	500R07S0R5AV4T
C15	CHIP CAPACITOR 0402 COG 0.5P	JOHANSON TECH	500R07S0R5AV4T
C16	NOT USED		
C17	CHIP CAPACITOR 0402 COG 2.7P	MURATA	GRM1555C1H2R7CZ01D
C18	CHIP CAPACITOR 0402 COG 20P	MURATA	GRM1555C1H200JZ01D
C19	CHIP CAPACITOR 0402 COG 20P	MURATA	GRM1555C1H200JZ01D
IC1	802.15.4 RADIO	MICROCHIP	MRF24J40-I/ML
IC2	BUFFER - SC70 PACKAGE	FAIRCHILD	NC7SZ125P5X
L1	CHIP INDUCTOR 0402 8.2N	PANASONIC	ELJ-RF8N2JFB
L2	CHIP INDUCTOR 0402 3.3N	PANASONIC	ELJ-RF3N3DFB
L3	CHIP INDUCTOR 0402 5.6N	PANASONIC	ELJ-RF5N6DFB
L4	CHIP INDUCTOR 0402 6.8N	PANASONIC	ELJ-RF6N8JFB
R1	NOT USED		
X1	20 MHZ CRYSTAL	ABRACON	ABM8-20.000MHZ-B2-T