



EMC TEST REPORT

Applicant Quectel Wireless Solutions Co., Ltd
FCC ID XMR202007BG95M6
Product LTE Cat M1 & Cat NB2 Module
Brand Quectel
Model BG95-M6
Marketing Quectel BG95-M6
Report No. R2006A0413-E1
Issue Date August 17, 2020

TA Technology (Shanghai) Co., Ltd. tested the above equipment in accordance with the requirements in **FCC Code CFR47 Part15B (2019)/ ANSI C63.4 (2014)**. The test results show that the equipment tested is capable of demonstrating compliance with the requirements as documented in this report.

Wei Liu

Guangchang Fan

Performed by: Wei Liu/ Manager

Approved by: Guangchang Fan/ Director

TA Technology (Shanghai) Co., Ltd.

No.145, Jintang Rd, Tangzhen Industry Park, Pudong Shanghai, China

TEL: +86-021-50791141/2/3

FAX: +86-021-50791141/2/3-8000



Table of Contents

1	Test Laboratory.....	4
1.1	Notes of the Test Report.....	4
1.2.	Test facility	4
1.3	Testing Location.....	4
2	General Description of Equipment under Test.....	5
2.1	Applicant and Manufacturer Information.....	5
2.2	General information.....	5
2.3	Applied Standards.....	7
2.4	Test Mode.....	8
3	Test Case Results	9
3.1	Radiated Emission	9
3.2	Conducted Emission	14
4	Main Test Instruments	17

Summary of measurement results

Number	Test Case	Clause in FCC Rules	Conclusion
1	Radiated Emission	FCC Part15.109, ANSI C63.4-2014	PASS
2	Conducted Emission	FCC Part15.107, ANSI C63.4-2014	PASS
Test Date: May 23, 2020 ~ June 16, 2020			
Note: All indications of Pass/Fail in this report are opinions expressed by TA Technology (Shanghai) Co., Ltd. based on interpretations and/or observations of test results. Measurement Uncertainties were not taken into account and are published for informational purposes only.			

BG95-M6 (Report No.: R2006A0413-E1) is a variant model of BG95-M5 (Report No.: R2005A0283- E1). Test values duplicated from Original for variant. Only Radiated Emission is tested for variant and it does not worsen, so it will not be recorded in this report. The detailed product change description please refers to the *Statement letter_BG95-M5&BG95-M6*.



1 Test Laboratory

1.1 Notes of the Test Report

This report shall not be reproduced in full or partial, without the written approval of **TA technology (shanghai) co., Ltd.** The results documented in this report apply only to the tested sample, under the conditions and modes of operation as described herein .Measurement Uncertainties were not taken into account and are published for informational purposes only. This report is written to support regulatory compliance of the applicable standards stated above.

1.2. Test facility

FCC (Designation number: CN1179, Test Firm Registration Number: 446626)

TA Technology (Shanghai) Co., Ltd. has been listed on the US Federal Communications Commission list of test facilities recognized to perform electromagnetic emissions measurements.

A2LA (Certificate Number: 3857.01)

TA Technology (Shanghai) Co., Ltd. has been listed by American Association for Laboratory Accreditation to perform electromagnetic emission measurement.

1.3 Testing Location

Company: TA Technology (Shanghai) Co., Ltd.
Address: No.145, Jintang Rd, Tangzhen Industry Park, Pudong Shanghai, China
City: Shanghai
Post code: 201201
Country: P. R. China
Contact: Fan Guangchang
Telephone: +86-021-50791141/2/3
Fax: +86-021-50791141/2/3-8000
Website: <http://www.ta-shanghai.com>
E-mail: fanguangchang@ta-shanghai.com

2 General Description of Equipment under Test

2.1 Applicant and Manufacturer Information

Applicant	Quectel Wireless Solutions Co., Ltd
Applicant address	Building 5, Shanghai Business Park Phase III (Area B), No.1016 Tianlin Road, Minhang District, Shanghai, China 200233
Manufacturer	Quectel Wireless Solutions Co., Ltd
Manufacturer address	Building 5, Shanghai Business Park Phase III (Area B), No.1016 Tianlin Road, Minhang District, Shanghai, China 200233

2.2 General information

EUT Description			
Device Type:	Module Device		
Model:	BG95-M6		
IMEI:	866642050000803		
HW Version:	R1.1		
SW Version:	BG95M6R02A01		
Antenna Type:	The EUT don't have standard Antenna, The Antenna used for testing in this report is the after-market accessory (Dipole Antenna)		
Frequency:	Band	Tx (MHz)	Rx (MHz)
	LTE Band 2	1850 ~ 1910	1930 ~ 1990
	LTE Band 4	1710 ~ 1755	2110 ~ 2155
	LTE Band 5	824 ~ 849	869 ~ 894
	LTE Band 12	699 ~ 716	729 ~ 746
	LTE Band 13	777 ~ 787	746 ~ 756
	LTE Band 25	1850 ~ 1915	1930 ~ 1995
	LTE Band 26	814 ~ 849	859 ~ 894
	LTE Band 66	1710 ~ 1780	2110 ~ 2180
	LTE Band 85	698 ~ 716	728 ~ 746
	NB-IOT Band 2	1850 ~ 1910	1930 ~ 1990
	NB-IOT Band 4	1710 ~ 1755	2110 ~ 2155
	NB-IOT Band 5	824 ~ 849	869 ~ 894
	NB-IOT Band 12	699 ~ 716	729 ~ 746
	NB-IOT Band 13	777 ~ 787	746 ~ 756
NB-IOT Band 25	1850 ~ 1915	1930 ~ 1995	



	NB-IOT Band 66	1710 ~ 1780	2110 ~ 2180
	NB-IOT Band 71	663 ~ 698	617 ~ 652
	NB-IOT Band 85	698 ~ 716	728 ~ 746

Note: The EUT is sent from the applicant to TA and the information of the EUT is declared by the applicant.



2.3 Applied Standards

According to the specifications of the manufacturer, it must comply with the requirements of the following standards:

Test standards

FCC Code CFR47 Part15B (2019)

ANSI C63.4 (2014)

2.4 Test Mode

Test Mode	
Mode 1:	External Power Supply + PCB Layout + EUT + EMTC/NB-IOT Receiver
Mode 2:	External Power Supply + PCB Layout + EUT

During the test, the preliminary test was performed in all modes with all frequency bands, mode 2 are selected as the worst condition. The test data of the worst-case condition was recorded in this report.

3 Test Case Results

3.1 Radiated Emission

Ambient condition

Temperature	Relative humidity	Pressure
24°C~26°C	45%~50%	102.5kPa

Methods of Measurement

The EUT is placed on a non-metallic table 0.8m above the horizontal metal reference ground plane. The distance between EUT and receive antenna should be 3 meters. During the test, the EUT was operating in its typical mode. The test method is according to ANSI C63.4-2014. Sweep the whole frequency band through the range from 30MHz to the 5th harmonic of the carrier. During the test, the height of receive antenna shall be moved from 1 to 4 meters, and the antenna shall be performed under horizontal and vertical polarization. The turn table shall be rotated from 0 to 360 degrees for detecting the maximum of radiated signal level.

The data of cable loss and antenna factor has been calibrated in full testing frequency range before the testing. During the test, the EUT is worked at maximum output power.

Set the spectrum analyzer in the following:

Below 1GHz:

RBW=100 kHz / VBW=300 kHz / Sweep=AUTO

Above 1GHz:

(a) PEAK Detector: RBW=1MHz / VBW=3MHz/ Sweep=AUTO

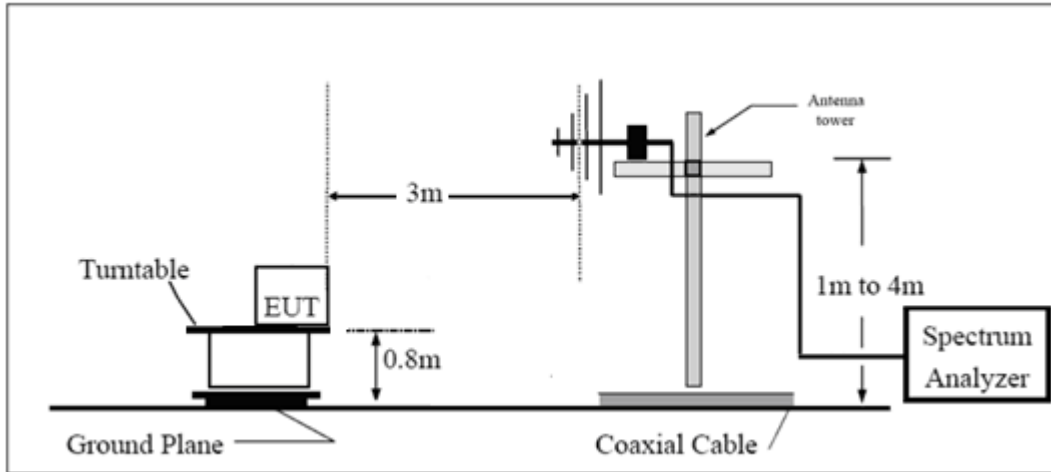
(b) AVERAGE Detector: RBW=1MHz / VBW=3MHz / Sweep=AUTO

The radiated emission was measured in the following position: EUT stand-up position (Z axis), lie-down position (X, Y axis). The worst emission was found in lie-down position (X axis) and the worst case was recorded.

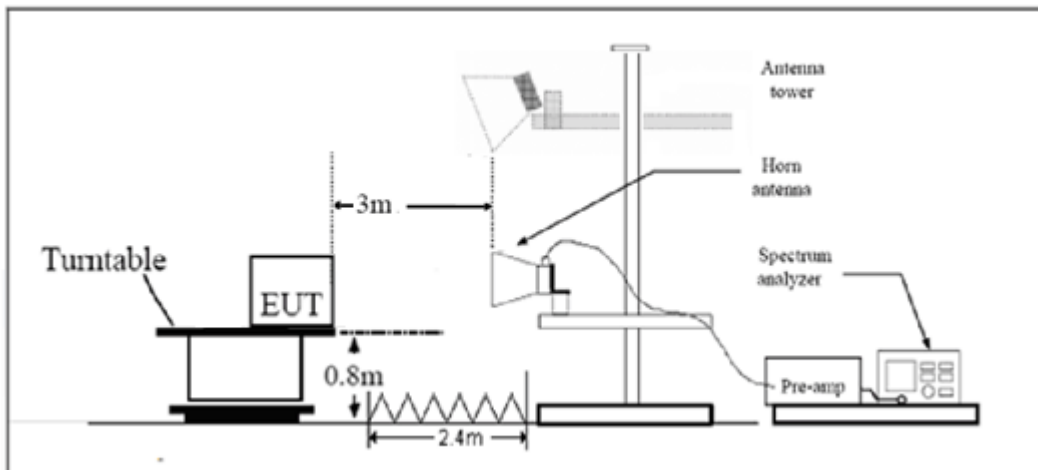
During the test, EUT is connected to a laptop via a USB cable in the case of power supply.

Test Setup

Below 1GHz



Above 1GHz



Note: Area side:2.4mX3.6m

Antenna Tower meets ANSI C63.4 requirements for measurements above 1 GHz by keeping the antenna aimed at the EUT during the antenna's ascent/ descent along the antenna mast.

Limits

Frequency (MHz)	Field Strength (dB μ V/m)	Detector
30 -88	40.0	Quasi-peak
88-216	43.5	Quasi-peak
216 – 960	46.0	Quasi-peak
960-1000	54.0	Quasi-peak
1000-5 th harmonic of the highest frequency or 40GHz, which is lower	54 74	Average Peak

Measurement Uncertainty

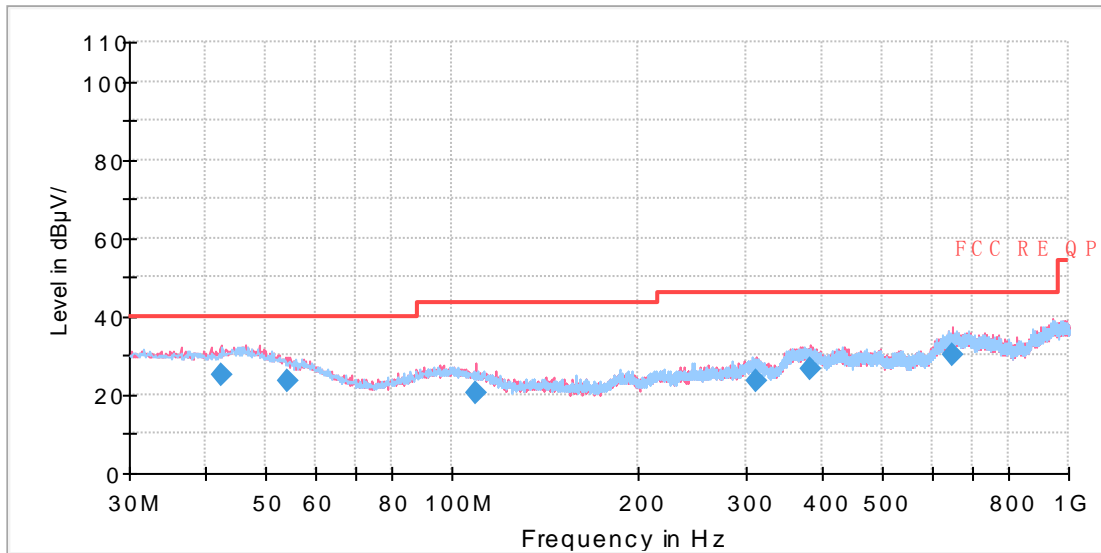
The assessed measurement uncertainty to ensure 95% confidence level for the normal distribution is with the coverage factor $k = 1.96$.

Frequency	Uncertainty
30MHz~200MHz	4.17 dB
200MHz~1000MHz	4.84 dB
1GHz~18GHz	4.35 dB
18GHz~26.5GHz	5.90 dB
26.5GHz~40GHz	5.92 dB

Test Results

Sweep the whole frequency band through the range from 30MHz to the 5th harmonic of the carrier, the Emissions in the frequency band 18GHz- 26.5GHz is more than 20dB below the limit are not reported.

The following graphs display the maximum values of horizontal and vertical by software. For above 1GHz, Blue trace uses the peak detection, Green trace uses the average detection.

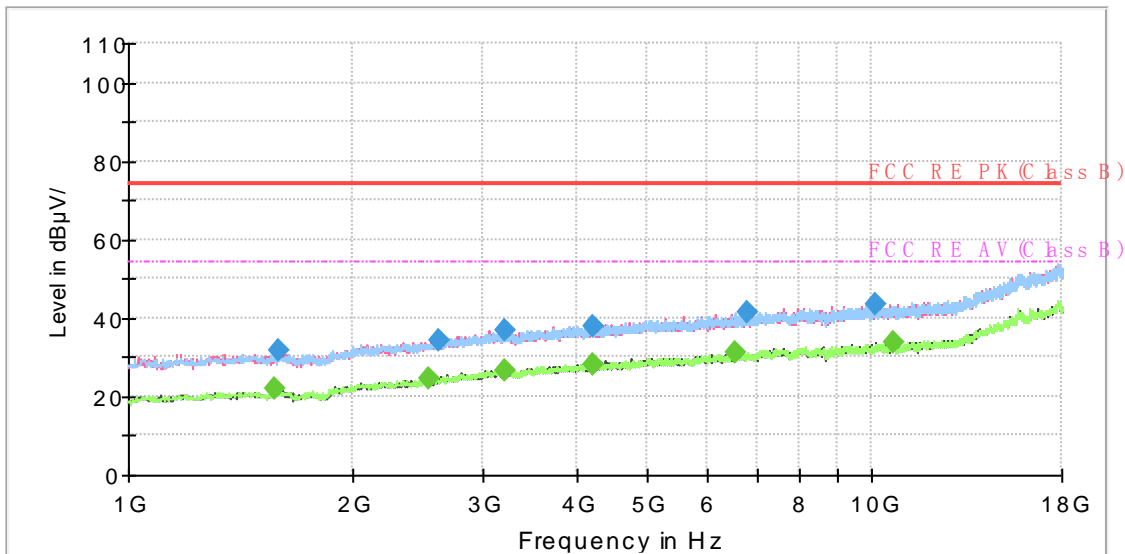


Radiated Emission from 30MHz to 1GHz

Frequency (MHz)	Quasi-Peak (dBuV/m)	Height (cm)	Polarization	Azimuth (deg)	Correct Factor (dB)	Margin (dB)	Limit (dBuV/m)
42.340635	25.21	184.0	V	242.0	2.7	14.79	40.00
54.154375	23.41	125.0	V	130.0	-0.1	16.59	40.00
109.145203	20.55	184.0	V	332.0	-4.3	22.95	43.50
310.916000	23.67	198.0	V	49.0	-1.4	22.33	46.00
380.548250	26.56	184.0	V	235.0	1.3	19.44	46.00
648.318000	30.05	197.0	V	1.0	5.6	15.95	46.00

Remark: 1. Correction Factor = Antenna factor+ Insertion loss(cable loss+amplifier gain)

2. Margin = Limit – Quasi-Peak



Radiated Emission from 1GHz to 18GHz

Frequency (MHz)	MaxPeak (dBµV/m)	Average (dBµV/m)	Limit (dBµV/m)	Margin (dB)	Height (cm)	Pol	Azimuth (deg)	Corr. (dB/m)
1573.750000	---	21.91	54.00	32.09	100.0	V	42.0	-15.7
1592.875000	31.97	---	74.00	42.03	100.0	H	120.0	-15.6
2534.250000	---	24.74	54.00	29.26	100.0	H	112.0	-11.4
2619.250000	34.42	---	74.00	39.58	200.0	V	11.0	-10.9
3214.250000	---	26.49	54.00	27.51	200.0	V	97.0	-8.3
3218.500000	36.94	---	74.00	37.06	200.0	V	23.0	-8.3
4206.625000	---	28.38	54.00	25.62	100.0	V	130.0	-5.6
4223.625000	38.11	---	74.00	35.89	200.0	V	0.0	-5.6
6546.250000	---	31.25	54.00	22.75	200.0	V	77.0	-1.4
6792.750000	41.50	---	74.00	32.50	100.0	V	243.0	-1.0
10135.375000	43.47	---	74.00	30.53	200.0	V	127.0	2.0
10685.750000	---	33.61	54.00	20.39	100.0	V	243.0	2.4

3.2 Conducted Emission

Ambient condition

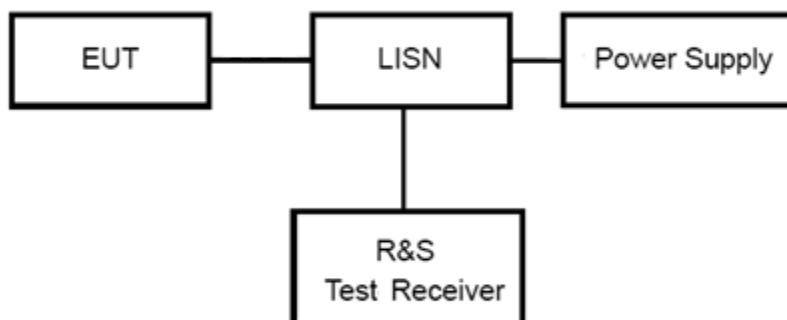
Temperature	Relative humidity	Pressure
24°C ~26°C	50%~55%	102.5kPa

Methods of Measurement

The EUT is placed on a non-metallic table of 80cm height above the horizontal metal reference ground plane. During the test, the EUT was operating in its typical mode. The test method is according to ANSI C63.4-2014. Connect the AC power line of the EUT to the L.I.S.N. Use EMI receiver to detect the average and Quasi-peak value. RBW is set to 9 kHz, VBW is set to 30kHz. The measurement result should include both L line and N line.

During the test, EUT is connected to a laptop via a USB cable in the case of power supply.

Test Setup



Note: Power Supply is AC Power source and it is used to change the voltage 120V/60Hz.

Limits

Frequency (MHz)	Conducted Limits(dBμV)	
	Quasi-peak	Average
0.15 - 0.5	66 to 56 *	56 to 46 *
0.5 - 5	56	46
5 - 30	60	50

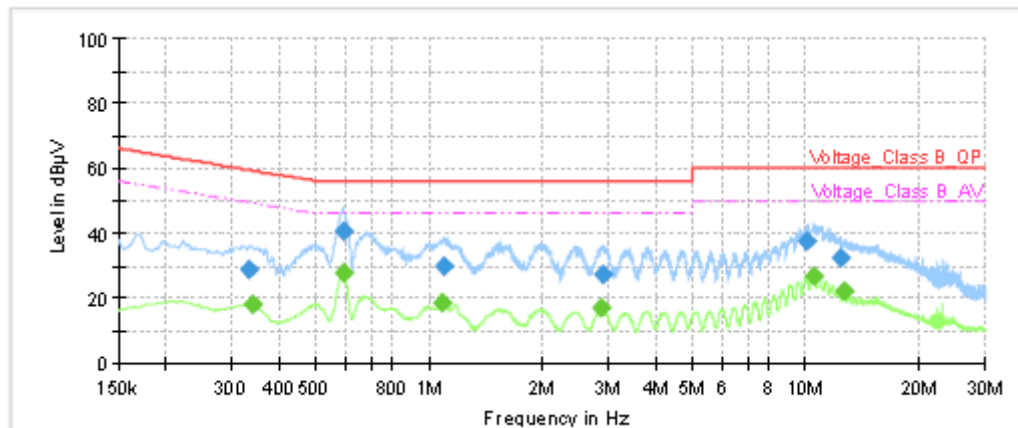
*: Decreases with the logarithm of the frequency.

Measurement Uncertainty

The assessed measurement uncertainty to ensure 95% confidence level for the normal distribution is with the coverage factor $k = 1.96$. $U = 2.57$ dB.

Test Results

Following plots, Blue trace uses the peak detection; Green trace uses the average detection.

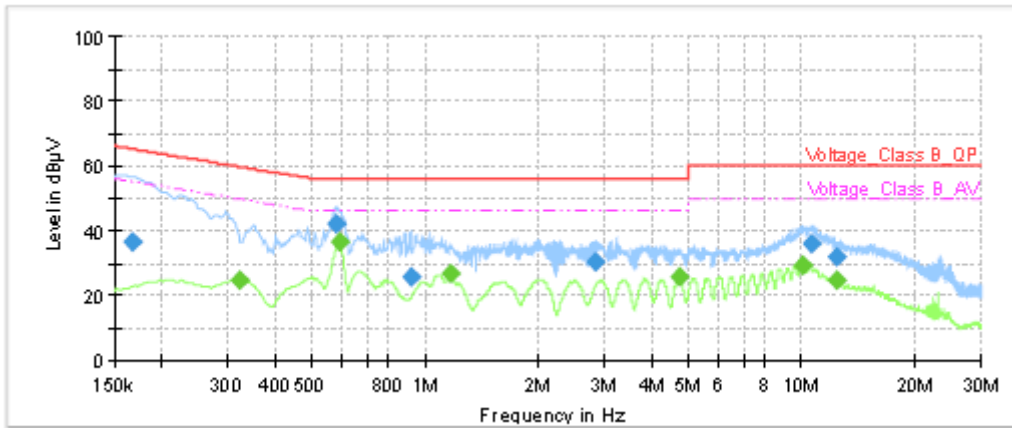


Frequency (MHz)	QuasiPeak (dBµV)	Average (dBµV)	Limit (dBµV)	Margin (dB)	Meas. Time (ms)	Bandwidth (kHz)	Line	Filter	Corr. (dB)
0.33	28.85	---	59.34	30.49	1000.0	9.000	L1	ON	19
0.34	---	17.89	49.23	31.34	1000.0	9.000	L1	ON	19
0.59	40.42	---	56.00	15.58	1000.0	9.000	L1	ON	19
0.59	---	27.68	46.00	18.32	1000.0	9.000	L1	ON	19
1.09	---	18.25	46.00	27.75	1000.0	9.000	L1	ON	19
1.10	29.94	---	56.00	26.06	1000.0	9.000	L1	ON	19
2.87	---	17.09	46.00	28.91	1000.0	9.000	L1	ON	19
2.89	27.01	---	56.00	28.99	1000.0	9.000	L1	ON	19
10.07	37.65	---	60.00	22.35	1000.0	9.000	L1	ON	19
10.47	---	26.70	50.00	23.30	1000.0	9.000	L1	ON	19
12.41	32.18	---	60.00	27.82	1000.0	9.000	L1	ON	19
12.69	---	21.80	50.00	28.20	1000.0	9.000	L1	ON	19

Remark: Correct factor=cable loss + LISN factor

L line

Conducted Emission from 150 KHz to 30 MHz



Frequency (MHz)	QuasiPeak (dBµV)	Average (dBµV)	Limit (dBµV)	Margin (dB)	Meas. Time (ms)	Bandwidth (kHz)	Line	Filter	Corr. (dB)
0.17	36.38	---	65.06	28.68	1000.0	9.000	N	ON	19
0.32	---	24.77	49.62	24.85	1000.0	9.000	N	ON	19
0.58	42.16	---	56.00	13.84	1000.0	9.000	N	ON	19
0.59	---	36.62	46.00	9.38	1000.0	9.000	N	ON	19
0.92	25.48	---	56.00	30.52	1000.0	9.000	N	ON	19
1.17	---	26.81	46.00	19.19	1000.0	9.000	N	ON	19
2.84	30.12	---	56.00	25.88	1000.0	9.000	N	ON	19
4.75	---	25.47	46.00	20.53	1000.0	9.000	N	ON	19
10.07	---	29.34	50.00	20.66	1000.0	9.000	N	ON	19
10.68	36.12	---	60.00	23.88	1000.0	9.000	N	ON	19
12.41	---	24.36	50.00	25.64	1000.0	9.000	N	ON	19
12.44	31.66	---	60.00	28.34	1000.0	9.000	N	ON	19

Remark: Correct factor=cable loss + LISN factor

N line

Conducted Emission from 150 KHz to 30 MHz

4 Main Test Instruments

Name	Manufacturer	Type	Serial Number	Calibration Date	Expiration Time
Spectrum Analyzer	R&S	FSV40	15195-01-00	2020-05-17	2021-05-16
EMI Test Receiver	R&S	ESCI	100948	2020-05-17	2021-05-16
Trilog Antenna	SCHWARZBECK	VULB 9163	9163-201	2017-11-18	2020-11-17
Horn Antenna	R&S	HF907	102723	2018-08-11	2021-08-10
Horn Antenna	ETS-Lindgren	3160-09	00102643	2018-06-20	2021-06-19
EMI Test Receiver	R&S	ESR	101667	2020-05-17	2021-05-16
LISN	R&S	ENV216	101171	2018-12-15	2021-12-14
Bore Sight Antenna mast	ETS	2171B	00058752	/	/
Test software	EMC32	R&S	9.26.0	/	/

*****END OF REPORT *****