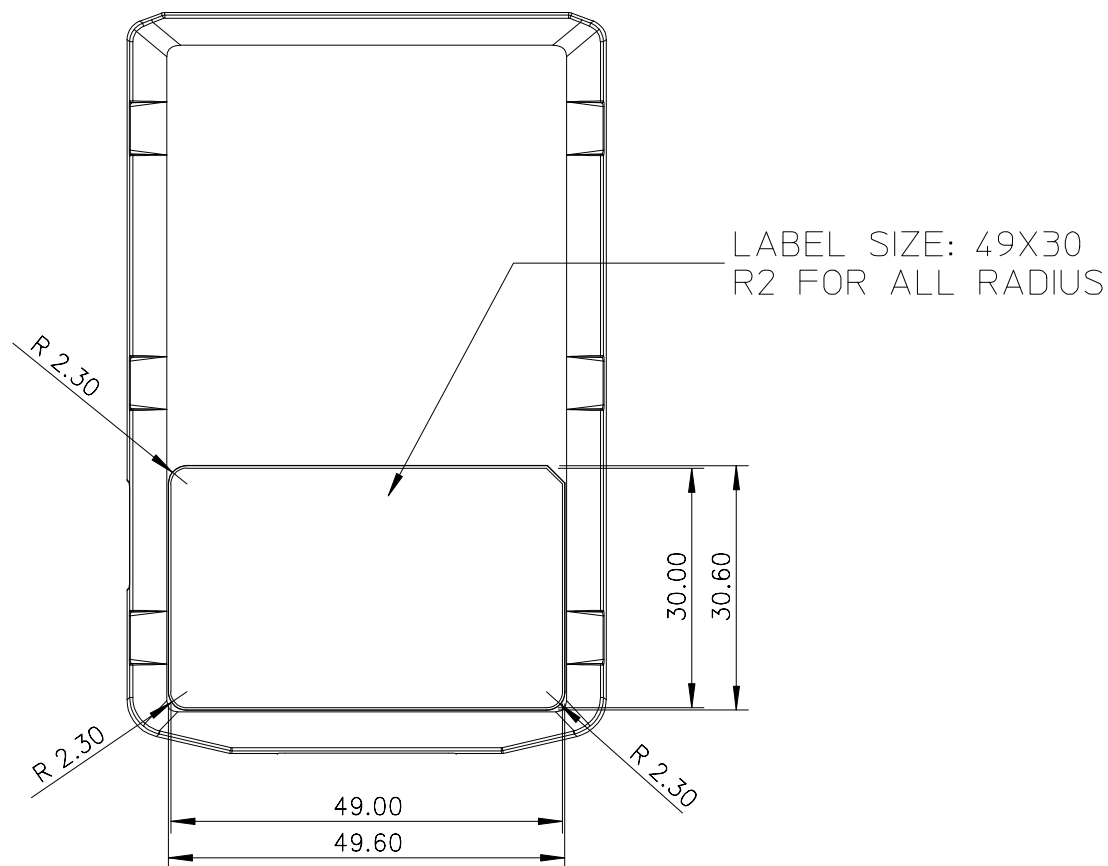


REVISIONS

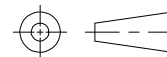
REV	DESCRIPTION	DATE	APPROVED



UNLESS OTHERWISE SPECIFIED ALL DIMENSIONS ARE IN mm AND TOLERANCES ARE:

INTEGER DIMENSIONS	± 0.2
1 PLACE DECIMAL	± 0.1
2 PLACE DECIMALS	± 0.05
ANGULAR DIMENSIONS	± 1°
HOLES UNDER Ø 5.00	± 0.05

THIRD ANGLE PROJECTION



WNC
Wistron NeWeb Corp.

啓碁科技股份有限公司

20 Park Avenue II, Hsinchu Science Park,
Hsinchu 308, Taiwan, R.O.C.
Tel: 886-3-6667799 Fax: 886-3-5788726

DWG TITLE

JKS2 LABEL

DRAWN			SIZE	DWG NO.	REV
ENGR	SCOTT SUN	08/06/18	A4		B
APVD			SCALE	1/1	SHEET 1 OF 1