

# EMC TEST REPORT

<b>Applicant</b>	Spireon Inc
<b>FCC ID</b>	O9Y-TIMON
<b>Product</b>	Timon
<b>Model</b>	WDS
<b>Report No.</b>	R2401A0033-E1
<b>Issue Date</b>	March 20, 2024

TA Technology (Shanghai) Co., Ltd. tested the above equipment in accordance with the requirements in **FCC Code CFR47 Part15B (2023)/ ANSI C63.4-2014**. The test results show that the equipment tested is capable of demonstrating compliance with the requirements as documented in this report.

*Prepared by: Liu Wei*

*Approved by: Fan Guangchang*

## **TA Technology (Shanghai) Co., Ltd.**

*Building 3, No.145, Jintang Rd, Pudong Shanghai, P.R.China*

*TEL: +86-021-50791141/2/3*

*FAX: +86-021-50791141/2/3-8000*

## Table of Contents

1	Test Laboratory .....	4
1.1	Notes of the Test Report.....	4
1.2	Test Facility.....	4
1.3	Testing Location.....	4
2	General Description of Equipment Under Test .....	5
2.1	Applicant and Manufacturer Information .....	5
2.2	General Information .....	5
2.3	Applied Standards .....	6
2.4	Test Mode .....	7
3	Test Case Results .....	8
3.1	Radiated Emission.....	8
3.2	Conducted Emission.....	13
4	Uncertainty Measurement.....	15
5	Main Test Instruments.....	16
	ANNEX A: The EUT Appearance .....	17
	ANNEX B: Test Setup Photos .....	18

## Summary of measurement results

Number	Test Case	Clause in FCC Rules	Conclusion
1	Radiated Emission	FCC Part15.109, ANSI C63.4-2014	PASS
2	Conducted Emission	FCC Part15.107, ANSI C63.4-2014	NA
Date of Testing: January 19, 2024~ January 24, 2024 Date of Sample Received: January 11, 2024			
Note: 1. NA = Not Applicable. 2. All indications of Pass/Fail in this report are opinions expressed by TA Technology (Shanghai) Co., Ltd. based on interpretations and/or observations of test results. Measurement Uncertainties were not taken into account and are published for informational purposes only.			

# 1 Test Laboratory

## 1.1 Notes of the Test Report

This report shall not be reproduced in full or partial, without the written approval of **TA Technology (Shanghai) Co., Ltd.** The results documented in this report apply only to the tested sample, under the conditions and modes of operation as described herein. Measurement Uncertainties were not taken into account and are published for informational purposes only. This report is written to support regulatory compliance of the applicable standards stated above.

## 1.2 Test Facility

### **FCC (Designation number: CN1179, Test Firm Registration Number: 446626)**

TA Technology (Shanghai) Co., Ltd. has been listed on the US Federal Communications Commission list of test facilities recognized to perform measurements.

### **A2LA (Certificate Number: 3857.01)**

TA Technology (Shanghai) Co., Ltd. has been listed by American Association for Laboratory Accreditation to perform measurement.

## 1.3 Testing Location

Company: TA Technology (Shanghai) Co., Ltd.  
Address: Building 3, No.145, Jintang Rd, Pudong Shanghai, P.R.China  
City: Shanghai  
Post code: 201201  
Country: P. R. China  
Contact: Fan Guangchang  
Telephone: +86-021-50791141/2/3  
Fax: +86-021-50791141/2/3-8000  
Website: <https://www.eurofins.com/electrical-and-electronics>  
E-mail: Jack.Fan@cpt.eurofinscn.com

## 2 General Description of Equipment Under Test

### 2.1 Applicant and Manufacturer Information

<b>Applicant</b>	Spireon Inc
<b>Applicant address</b>	18881 Von Karman Ave. Suite #1500, Irvine, California, USA
<b>Manufacturer</b>	Spireon Inc
<b>Manufacturer address</b>	18881 Von Karman Ave. Suite #1500, Irvine, California, USA

### 2.2 General Information

EUT Description			
Device Type	Fixed Device		
Model	WDS		
Lab internal SN	R2401A0033/S01		
HW Version	P2		
SW Version	1.1		
Power Rating	DC 3V from battery		
Connecting I/O Port(s)	Please refer to the User's Manual.		
Antenna Type	Internal Antenna		
Frequency	Band	Tx (MHz)	Rx (MHz)
	Bluetooth LE	2400 ~ 2483.5	2400 ~ 2483.5
EUT Accessory			
Battery	Manufacturer: EVE Model: CR17335AH-2 DC 3V		
Note: 1. The EUT is sent from the applicant to TA and the information of the EUT is declared by the applicant.			

## 2.3 Applied Standards

According to the specifications of the manufacturer, it must comply with the requirements of the following standards:

### Test standards

**FCC Code CFR47 Part15B (2023)**

**ANSI C63.4-2014**

## 2.4 Test Mode

Test Mode	
Mode 1	EUT (with battery) + BLE Receiver

Test Type	Test Mode	Worst Mode
Radiated Emission	Mode 1	Mode 1
Conducted Emission	/	/
During the test, the preliminary test was performed in all modes, the test data of the worst-case condition was recorded in this report.		

### 3 Test Case Results

#### 3.1 Radiated Emission

##### Ambient Condition

Temperature	Relative humidity
15°C ~ 35°C	30% ~ 60%

##### Methods of Measurement

The EUT is placed on a non-metallic table 0.8m above the horizontal metal reference ground plane. The distance between EUT and receive antenna should be 3 meters. During the test, the EUT was operating in its typical mode. The test method is according to ANSI C63.4-2014. Sweep the whole frequency band through the range from 30MHz to the 5th harmonic of the carrier. During the test, the height of receive antenna shall be moved from 1 to 4 meters, and the antenna shall be performed under horizontal and vertical polarization. The turn table shall be rotated from 0 to 360 degrees for detecting the maximum of radiated signal level.

The data of cable loss and antenna factor has been calibrated in full testing frequency range before the testing. During the test, the EUT is worked at maximum output power.

Set the spectrum analyzer in the following:

Below 1GHz:

RBW=100 kHz / VBW=300 kHz / Sweep=AUTO

Above 1GHz:

(a) PEAK Detector: RBW=1MHz / VBW=3MHz/ Sweep=AUTO

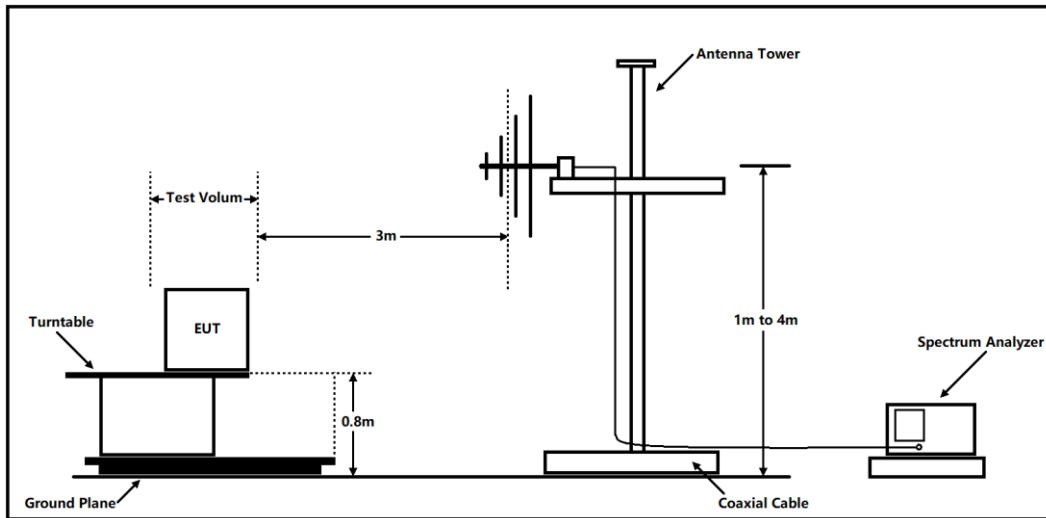
(b) AVERAGE Detector: RBW=1MHz / VBW=3MHz / Sweep=AUTO

The radiated emission was measured in the following position: EUT stand-up position (Z axis), lie-down position (X, Y axis). The worst emission was found in lie-down position (X axis) and the worst case was recorded.

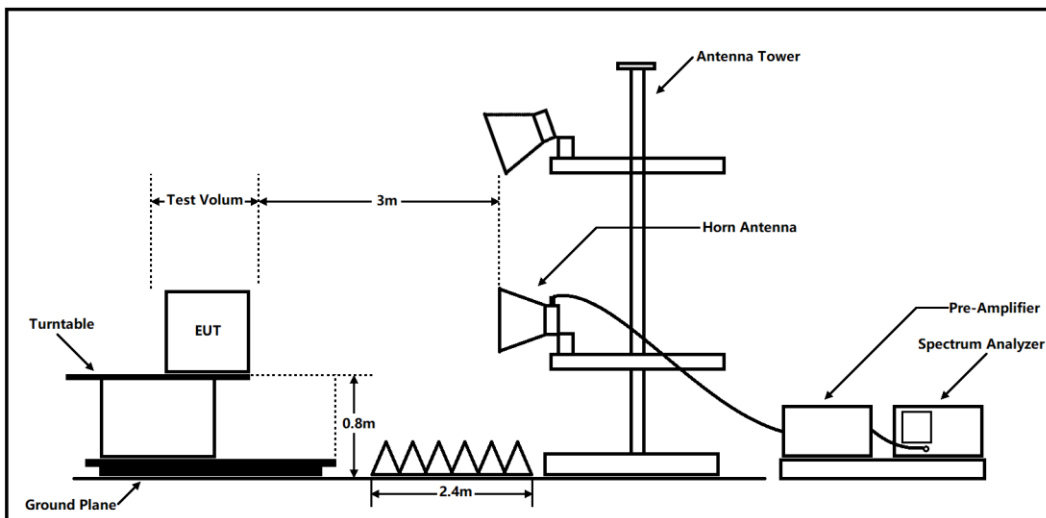


**Test Setup**

**Below 1GHz**



**Above 1GHz**



Note: Area side: 2.4mX3.6m

Antenna Tower meets ANSI C63.4 requirements for measurements above 1 GHz by keeping the antenna aimed at the EUT during the antenna's ascent/ descent along the antenna mast.

**Limits**
**Class B**

Frequency (MHz)	Field Strength (dB $\mu$ V/m)	Detector
30 -88	40.0	Quasi-peak
88-216	43.5	Quasi-peak
216 – 960	46.0	Quasi-peak
960-1000	54.0	Quasi-peak
1000-5 <sup>th</sup> harmonic of the highest frequency or 40GHz, which is lower	54 74	Average Peak

**Frequency range of radiated measurements**

Highest frequency generated or used in the device or on which the device operates or tunes (MHz)	Upper frequency of measurement range (MHz)
Below 1.705	30
1.705-108	1000
108-500	2000
500-1000	5000
Above 1000	5th harmonic of the highest frequency or 40 GHz, whichever is lower.

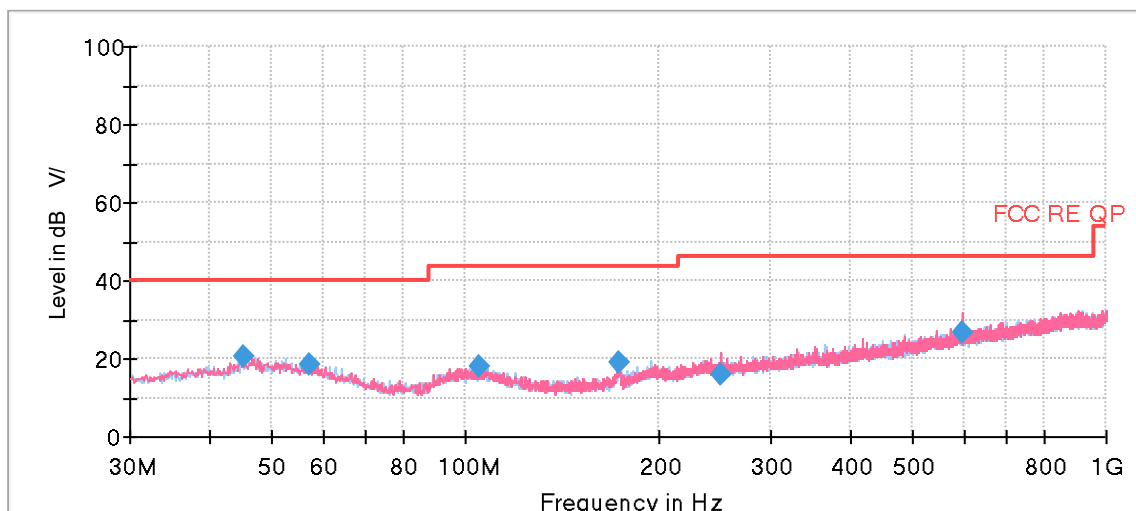
**Test Results**

Sweep the whole frequency band through the range from 30MHz to the 5th harmonic of the carrier.

The following graphs display the maximum values of horizontal and vertical by software.

For above 1GHz, Blue trace uses the peak detection, Green trace uses the average detection.

A symbol (  $\text{dB } \mu\text{V/m}$  ) in the test plot below means (dB $\mu\text{V/m}$ )

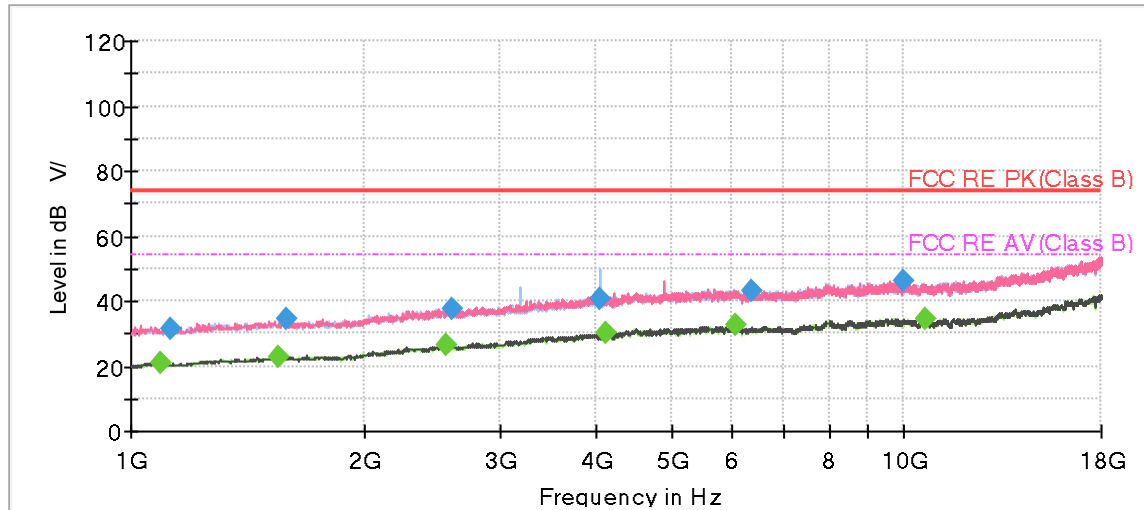


Radiated Emission from 30MHz to 1GHz

Frequency (MHz)	Quasi-Peak (dB $\mu\text{V/m}$ )	Limit (dB $\mu\text{V/m}$ )	Margin (dB)	Height (cm)	Polarization	Azimuth (deg)	Correct Factor (dB)
44.991250	20.64	40.00	19.36	184.0	V	141.0	20.9
57.041250	18.71	40.00	21.29	213.0	V	132.0	20.2
105.296250	18.02	43.50	25.48	111.0	V	133.0	19.0
173.958750	18.87	43.50	24.63	208.0	V	329.0	20.0
250.027500	15.71	46.00	30.29	109.0	H	114.0	20.5
597.851250	26.85	46.00	19.15	175.0	V	124.0	27.1

**Remark: 1. Correction Factor = Antenna factor + Insertion loss(cable loss+amplifier gain)**

**2. Margin = Limit – Quasi-Peak**



Radiated Emission from 1GHz to 18GHz

Frequency (MHz)	MaxPeak (dBµV/m)	Average (dBµV/m)	Limit (dB µ V/m)	Margin (dB)	Meas. Time (ms)	Height (cm)	Pol	Azimuth (deg)	Corr. (dB/m)
1093.500000	---	20.67	54.00	33.33	500.0	200.0	V	301.0	-19.4
1129.625000	31.64	---	74.00	42.36	500.0	200.0	H	279.0	-19.1
1554.625000	---	23.02	54.00	30.98	500.0	200.0	V	58.0	-16.5
1592.875000	34.20	---	74.00	39.80	500.0	100.0	H	103.0	-16.3
2564.000000	---	26.19	54.00	27.81	500.0	100.0	V	262.0	-12.2
2612.875000	37.50	---	74.00	36.51	500.0	200.0	V	306.0	-12.1
4034.500000	40.53	---	74.00	33.47	500.0	200.0	V	290.0	-7.2
4113.125000	---	30.07	54.00	23.93	500.0	200.0	V	290.0	-7.1
6076.625000	---	32.50	54.00	21.50	500.0	100.0	H	44.0	-3.7
6355.000000	42.78	---	74.00	31.22	500.0	200.0	V	311.0	-4.0
10010.000000	45.91	---	74.00	28.09	500.0	100.0	V	180.0	-0.8
10639.000000	---	34.61	54.00	19.39	500.0	100.0	V	358.0	-0.8

Remark: 1. Correction Factor = Antenna factor + Insertion loss (cable loss + amplifier gain)

2. Peak Margin = Limit - MAX Peak/ Average

### 3.2 Conducted Emission

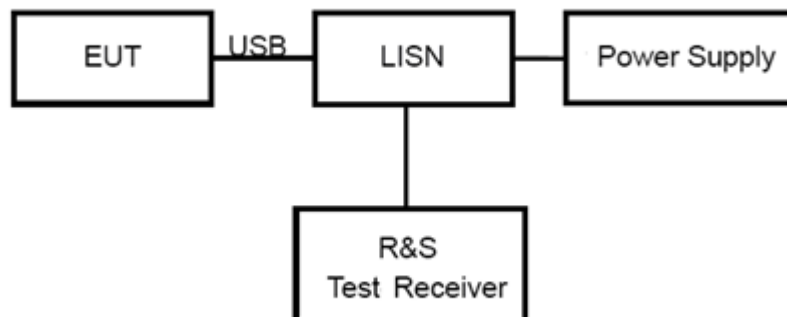
#### Ambient Condition

Temperature	Relative humidity
15°C ~ 35°C	30% ~ 60%

#### Methods of Measurement

The EUT is placed on a non-metallic table of 80cm height above the horizontal metal reference ground plane. During the test, the EUT was operating in its typical mode. The test method is according to ANSI C63.4-2014. Connect the AC power line of the EUT to the L.I.S.N. Use EMI receiver to detect the average and Quasi-peak value. RBW is set to 9 kHz, VBW is set to 30kHz. The measurement result should include both L line and N line.

#### Test Setup



Note: Power Supply is AC Power source and it is used to change the voltage 120V/60Hz.

#### Limits

Frequency (MHz)	Class A (dBµV)		Class B (dBµV)	
	Quasi-peak	Average	Quasi-peak	Average
0.15 - 0.5	79	66	66 to 56 *	56 to 46*
0.5 - 5	73	60	56	46
5 - 30	73	60	60	50

\*: Decreases with the logarithm of the frequency.

Note: The EUT should meet CLASS B limit.

## Test Results

The equipment is not connected to the public network, so test items do not apply.

## 4 Uncertainty Measurement

Case	Uncertainty	Factor k
Radiated Emission 30MHz – 200MHz	4.17 dB	1.96
Radiated Emission 200MHz – 1GHz	4.84 dB	1.96
Radiated Emission 1GHz – 18GHz	4.35 dB	1.96
Radiated Emission 18GHz – 26.5GHz	5.90 dB	1.96

## 5 Main Test Instruments

Name of Equipment	Manufacturer	Type/Model	Serial Number	Calibration Date	Expiration Time
Radiated Emission					
EMI Test Receiver	R&S	ESR	102389	2023-05-12	2024-05-11
Signal Analyzer	R&S	FSV40	101186	2023-05-12	2024-05-11
TRILOG Broadband Antenna	SCHWARZBECK	VULB 9163	1023	2023-07-14	2026-07-13
Horn Antenna	R&S	HF907	102723	2021-07-24	2024-07-23
Amplifier	R&S	SCU18	10034	2023-05-12	2024-05-11
Software	R&S	EMC32	9.26.01	/	/



## ANNEX A: The EUT Appearance

The EUT Appearance are submitted separately.

## ANNEX B: Test Setup Photos

The Test Setup Photos are submitted separately.

\*\*\*\*\* END OF REPORT \*\*\*\*\*