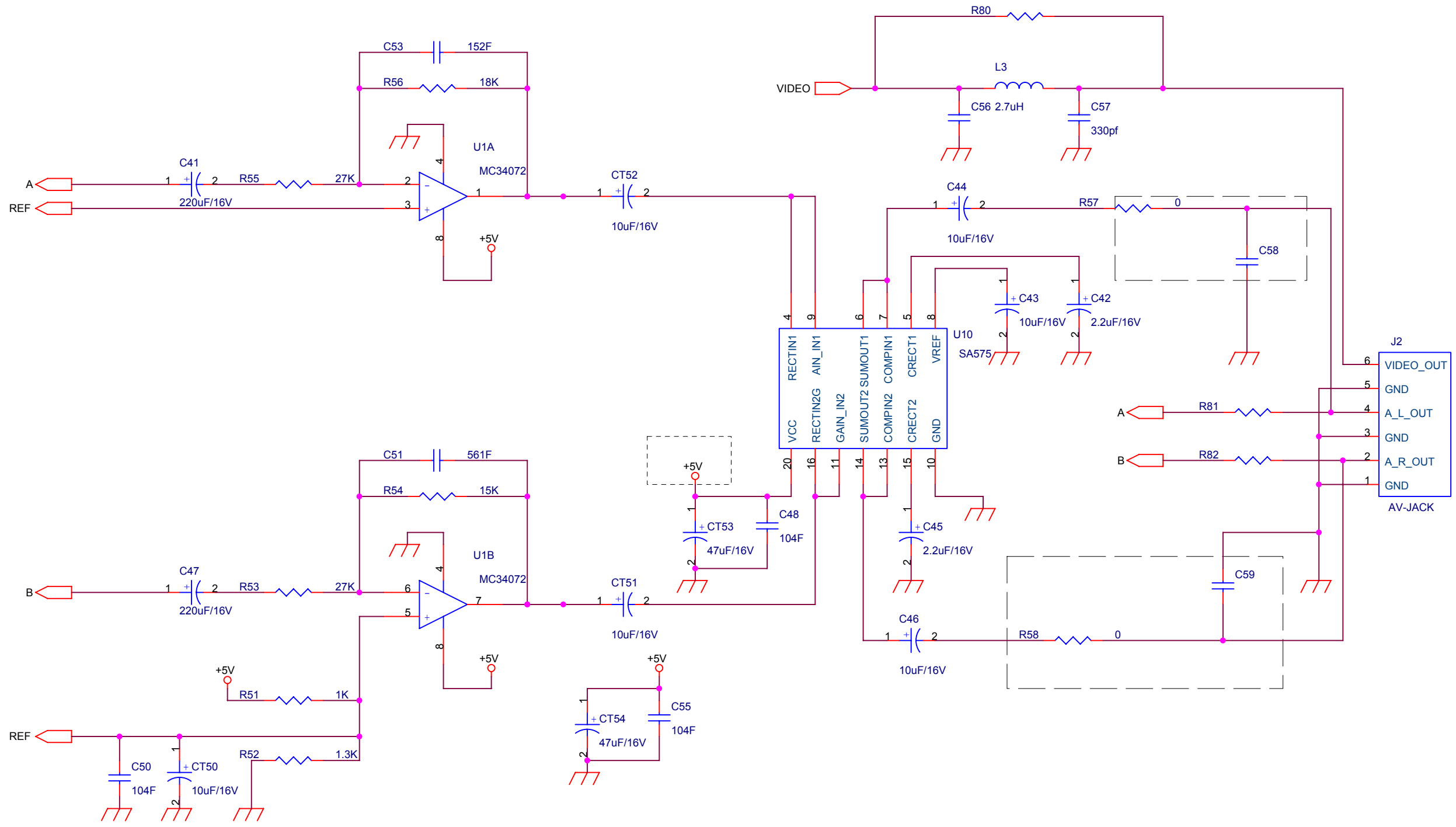
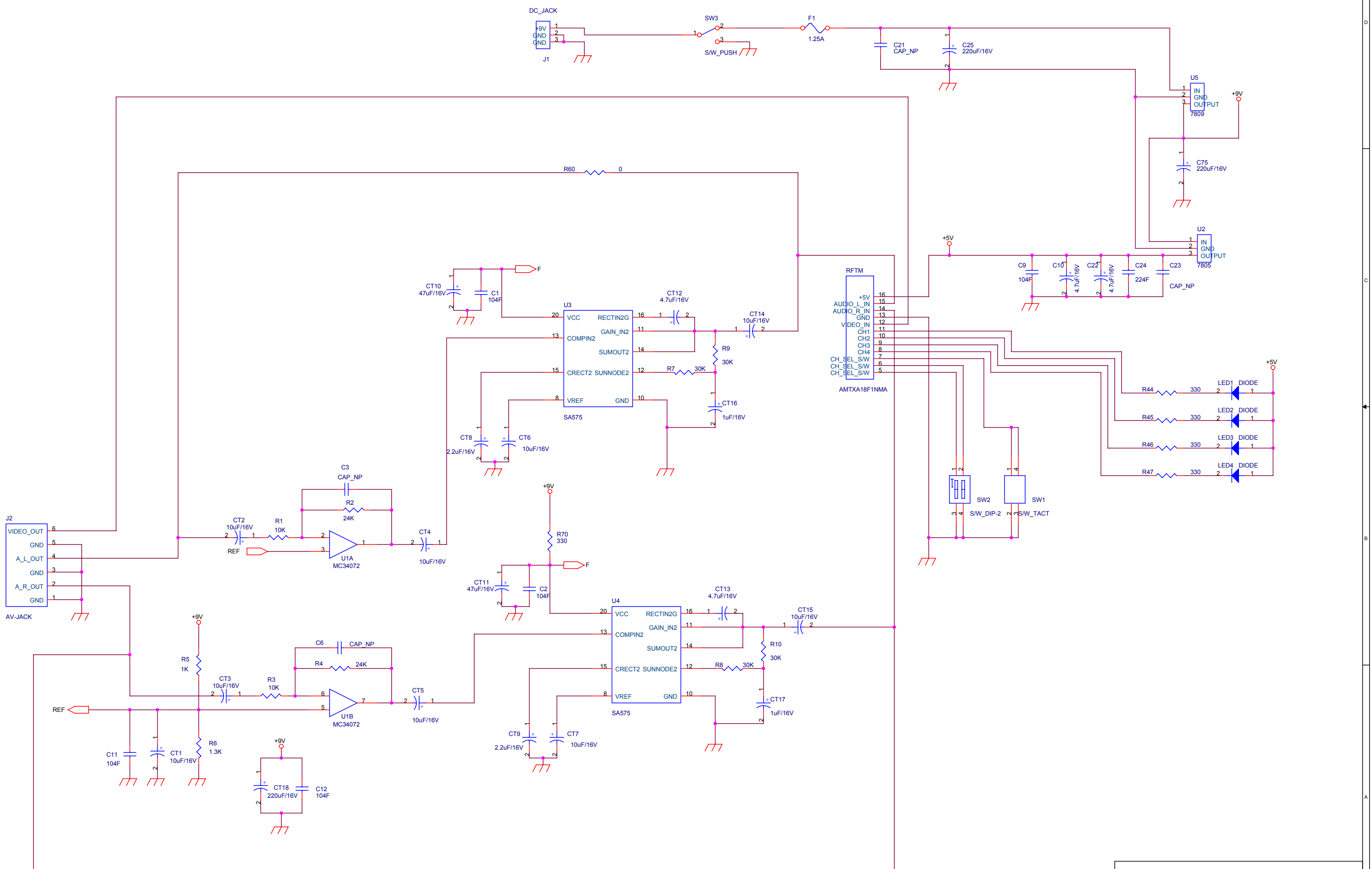


Title	<Title>
Size	C
Document Number	<Doc>
Rev	<Rev Code>
Date:	수요일, 3월 27, 2002
Sheet	1 of 2



Title		
<Title>		
Size	Document Number	Rev
B	<Doc>	<RevCode>
Date:	수요일, 3월 27, 2002	Sheet 2 of 2



Title	<Title>	Rev	<RevCode>
Size	Document Number		
C	<Doc>		
Date:	금요일, 2월 22, 2002	Sheet	1 of 1