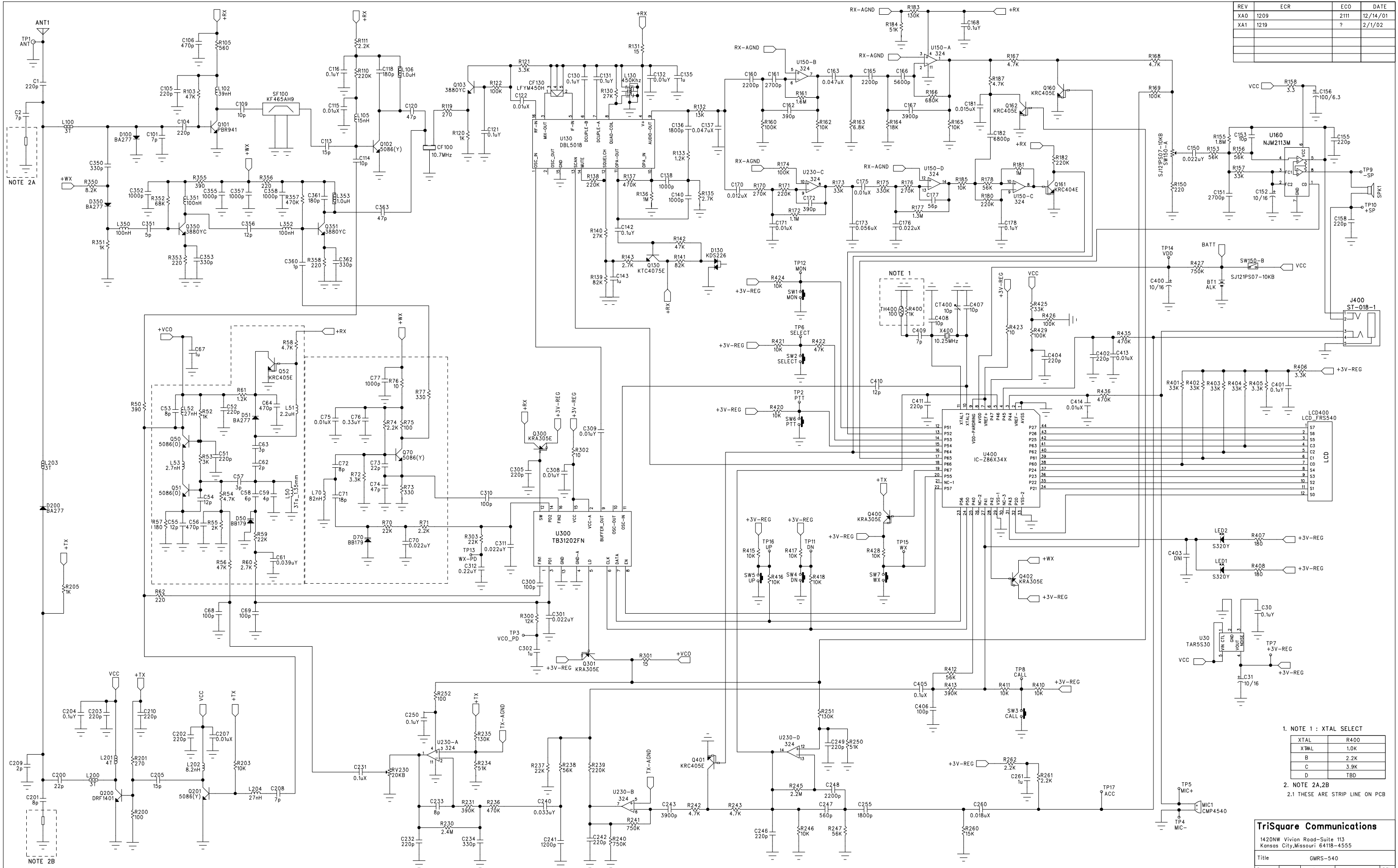


REV	ECR	ECO	DATE
XAO	1209	2111	12/14/01
XA1	1219	?	2/1/02



NOTE 1

1. NOTE 1 : XTAL SELECT

XTAL	R400
X	1.0K
B	2.2K
C	3.9K
D	TBD

2. NOTE 2A,2B
2.1 THESE ARE STRIP LINE ON PCB

TriSquare Communications
1420NW Vivian Road-Suite 113
Kansas City, Missouri 64118-4555

Drawn	Sheet	Drawing No	PCB No	REV
YC KIM	1 of 1	RF	GMR540_XAO	XA1