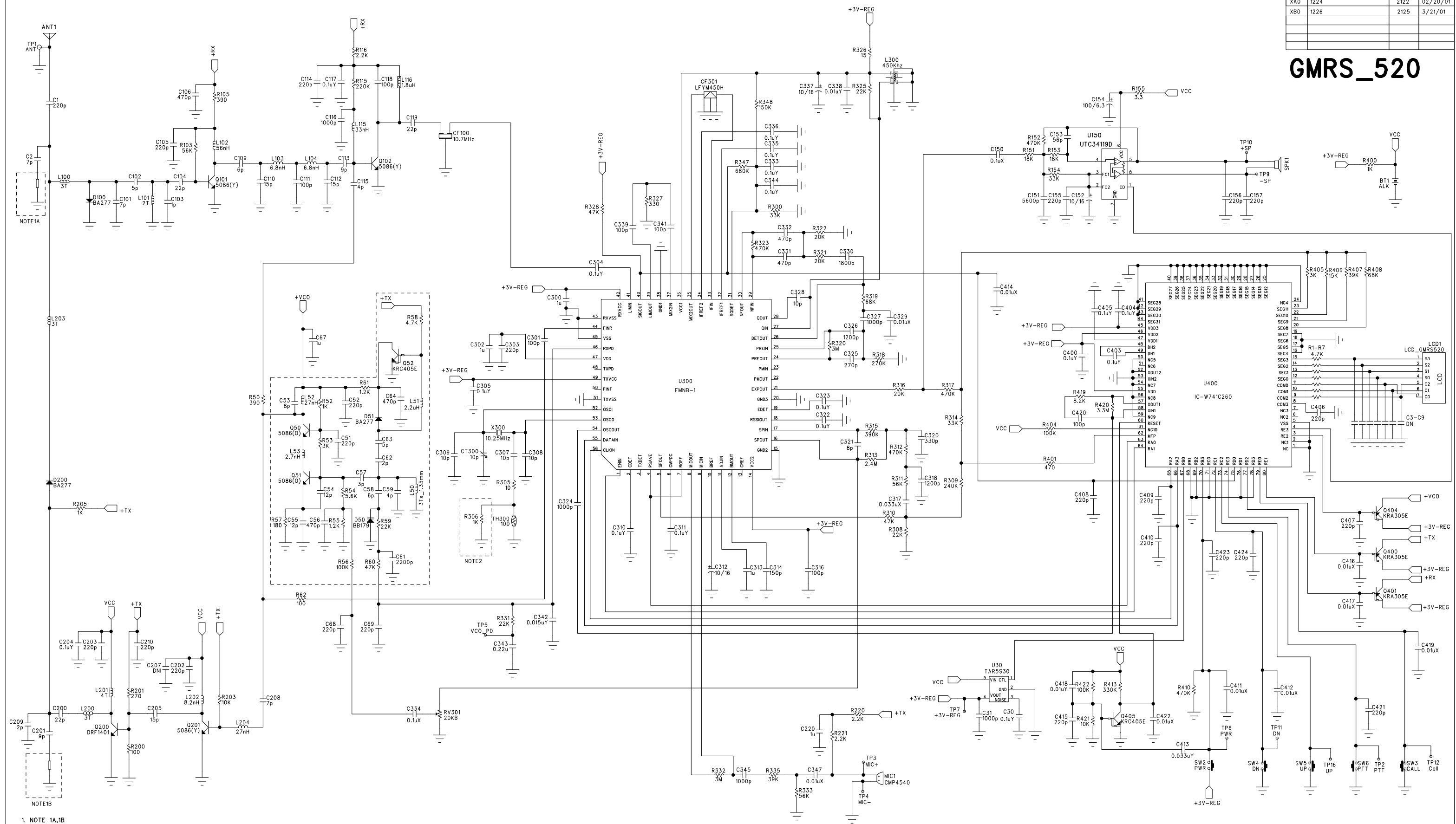


REV	ECR	ECO	DATE
XA0	1224	2122	02/20/01
XB0	1226	2125	3/21/01

# GMRS\_520



1. NOTE 1A,1B  
 1.1 THESE ARE STRIP LINE ON PCB  
 1. NOTE 2 : XTAL SELECT

XTAL	A	B	C	D
R306	1K	2.2K	3.9K	TBD

**TriSquare Communications**  
 1420NW Vivian Road-Suite 113  
 Kansas City, Missouri 64118-4555

Title GMRS-520

Drawn	Sheet	Drawing No	PCB No	REV
YC KIM	1 of 1	RF	GMRS520_XB0	XB0