

## 3 Attaching the Antennas

Carefully unpack the standard detachable antennas. Screw the antennas on to the antenna connectors on the access point and hand-tighten them. After network startup, you may need to adjust the antennas to fine-tune coverage in your area.

For best results, adjust the antennas so that they are perpendicular with the floor and ceiling.



**CAUTION:** Do not handle the antenna tips, especially after they are connected to the access point. This could lead to electrostatic discharge (ESD), which could damage the equipment.

## 4 Mounting the Access Point

The access point can be mounted on the following types of surfaces:

- Wall, ceiling, or electrical box (NEMA enclosure)
- Tabletop



**CAUTION:** The access point is intended for indoor use only. Do not install the access point outdoors unless you install it in a properly installed outdoor access point enclosure.

### Wall, Ceiling, or Electrical Box Mounting

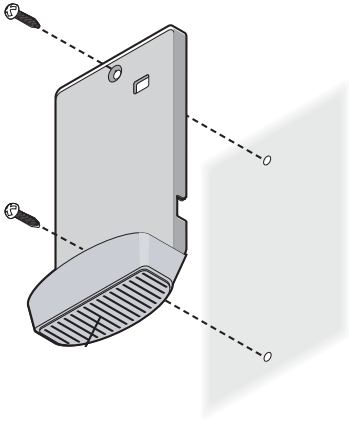
To mount the access point to a wall, ceiling, or electrical box:

- 1 Remove the access point from the mounting bracket.**
- 2 Screw the mounting bracket to a wall, ceiling, or electrical box (NEMA enclosure):**
  - If mounting to a solid surface wall or ceiling, use the two sheet metal screws.
  - If mounting to drywall, use the two sheet metal screws and two wall anchors.
  - If mounting to an electrical box (NEMA enclosure), use the two threaded screws.
- 3 Route the power cable (if using an external power supply) and Ethernet cable through the large opening on the back of the mounting bracket.**

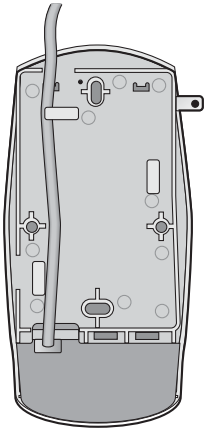


**CAUTION:** For easy installation and removal of the access point from the mounting bracket, make sure that there is sufficient flexibility with the cable and that there is adequate service loop (that is, enough cable routed through the mounting bracket to easily connect the cable to the access point.) If not enough cable is routed through the back of the mounting bracket, or if the cable is inflexible, it can be difficult to install or remove the access point from the mounting bracket.

The figures below show the mounting bracket being mounted to a wall, and then a cable being routed through the large opening on the back of the mounting bracket.



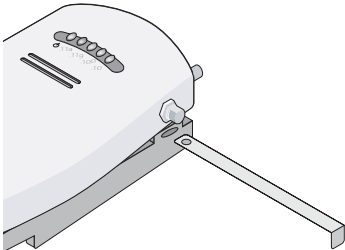
Installing the mounting bracket



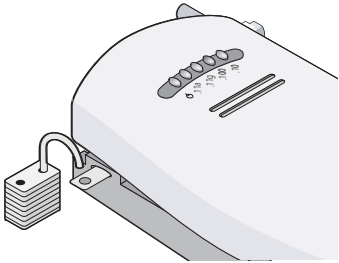
Routing a cable

- 4 Connect the Ethernet cable (and power cable, if applicable) to the port(s) on the front of the access point.**
- 5 Snap the access point onto the mounting bracket.**

To install the locking bar, push the locking bar through the opening in the side of the mounting bracket until the hole on the locking bar is exposed. Insert a lock (not provided) through the hole on the locking bar, and then close the lock to secure it in place.



Inserting the locking bar



Securing the bar with a lock

## Tabletop Mounting

To install the access point on a flat surface such as a table or desktop:



**CAUTION:** Do not place the access point on any type of metal surface. Select a location that is clear of obstructions and provides good reception.

- 1 Remove the backing from the four rubber feet and attach them on the bottom of the mounting bracket that is attached to the access point.**
- 2 Place the access point on the table.**
- 3 Connect the Ethernet cable (and power cable, if applicable) to the port(s) on the front of the access point.**

## 5 Connecting the Access Point to a Switch

3Com recommends that you install and configure the 3Com Wireless LAN switch before installing the access point. If the switch is already installed and configured for the access point, you can immediately verify the cable connection when you plug the cable into the access point.



**WARNING:** Do not connect or disconnect cables or otherwise work with the access point during periods of lightning activity.

You can connect the access point directly to a 3Com Wireless LAN Switch port or indirectly to 3Com Wireless LAN switches through an intermediate Layer 2 or Layer 3 network. In either case, use Category 5 cable with straight-through signaling for each access point connection.

- To connect the access point directly to a 3Com Wireless LAN Switch, configure the switch port as an AP2750 access point and then insert the cable into the switch and verify the link.
- To connect the access point indirectly to a 3Com Wireless LAN Switch through the network, configure a Distributed Access Point connection on the switch.



**Note:** For instructions on configuring the access point, see the *Mobility System Configuration Guide* or the *3Com Wireless LAN Switch Reference Manual*.