



Bluetooth Class1 Dongle Specification Preliminary

Product Name	GST class 1 Bluetooth Dongle
Product ID	GL2BDG91
Hardware Version	Rev.01

FEATURE

- Comply with Bluetooth Specification V1.1
- Support Bluetooth Class1
- Built-in Link controller and Link Manager Protocol
- HCI interface over USB
- USB interface fits desktop/laptop PCs
- Compliant with USB 1.1 standard.
- Built-in flash memory 、 system clock .
- Easy to use-makes wireless networking simple.
- Easy to follow-friendly user interface provides an easy way to connect other Bluetooth devices .

APPLICATIONS:

Notebook 、 PCs

FCC Notices

This device complies with part 15 of the FCC rules. Operation is subject to the following two conditions:

- (1)This device may not cause harmful interference, and
- (2)This device must accept any interference received, including interference that may cause undesired operation .

“FCC RF Exposure requirements:

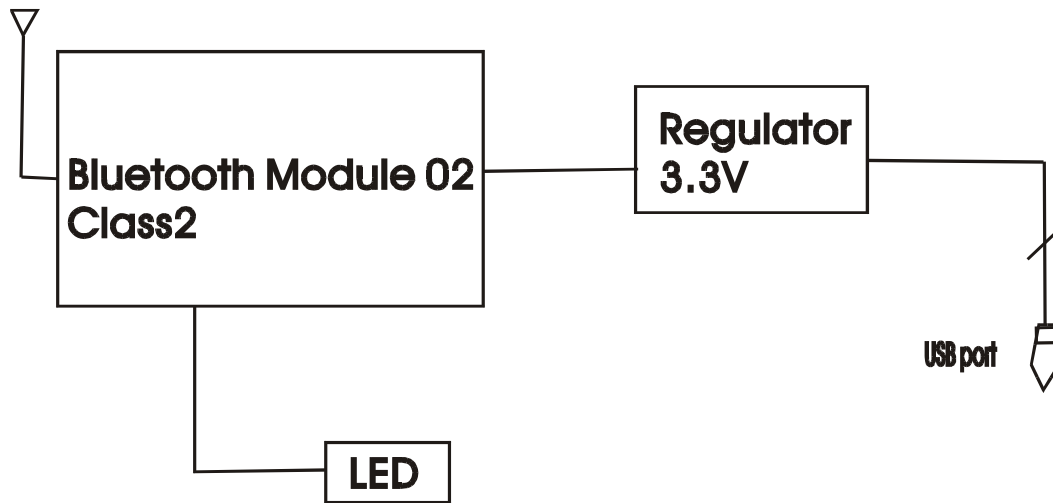
This device and its antenna(s) must not be co-located or operation in conjunction With any other antenna or transmitter.”

NOTE: THE MANUFACTURER IS NOT RESPONSIBLE FOR ANY RADIO OR TV INTERFERENCE CAUSED BY UNAUTHORIZED MODIFICATIONS TO THIS EQUIPMENT. SUCH MODIFICATIONS COULD VOID THE USER'S AUTHORITY TO OPERATE THE EQUIPMENT.

Hardware Specification

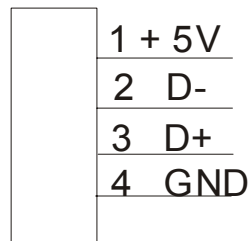
ITEMS	SPECIFICATION
Standard	Bluetooth V 1.1
Interface	USB(Type A)
Link Mode	ACL,SCO
Data Rate	ACL:723.2kbps/SCO:57.6kbps
Frequency Band	2.4GHz
Compatible OS	Microsoft Windows 98 / 2000 / ME / XP
Bluetooth Profile support	GAP, SPP, FTP, DUN, LAP, OPP, GOEP, SYNC, FAX, PAN, HCRP, Audio/Headset.
Receiving Signal Range	Better than -75dBm @ 0.1%FER
Operation current	155mA(max)
Operating Distance	Up to 70 meters
Output Interface	USB
Operation Temperature	-0 °C ~ +55°C
Storage Temperature	-20 °C ~ +70°C
Operation Humidity	0% to 70%
Storage Humidity	0% to 95% Non-condensing
Modulation	GFSK(Gaussian Frequency Shift Keying)
USB Specification	Ver 1.1
Spectrum	FHSS(Frequency Hopping Spread Spectrum)
Security Provided	Pairing,Encryption,Authentication
Dimension	59.57mm x 19.83mm x 13.86

GL2BDG91 Block Diagram



GST Confidential

Pin Description (Wire to Board connector)



Pin Name	NO	I/O	Description
+5V	1	---	Vcc
USB_D-	2	I	Asynchronous serial data RTS/USB Data+
USB_D+	3	O	Asynchronous serial data RTS/USB Data-
GND	4	---	Ground