

A

B

C

D

1

1

2

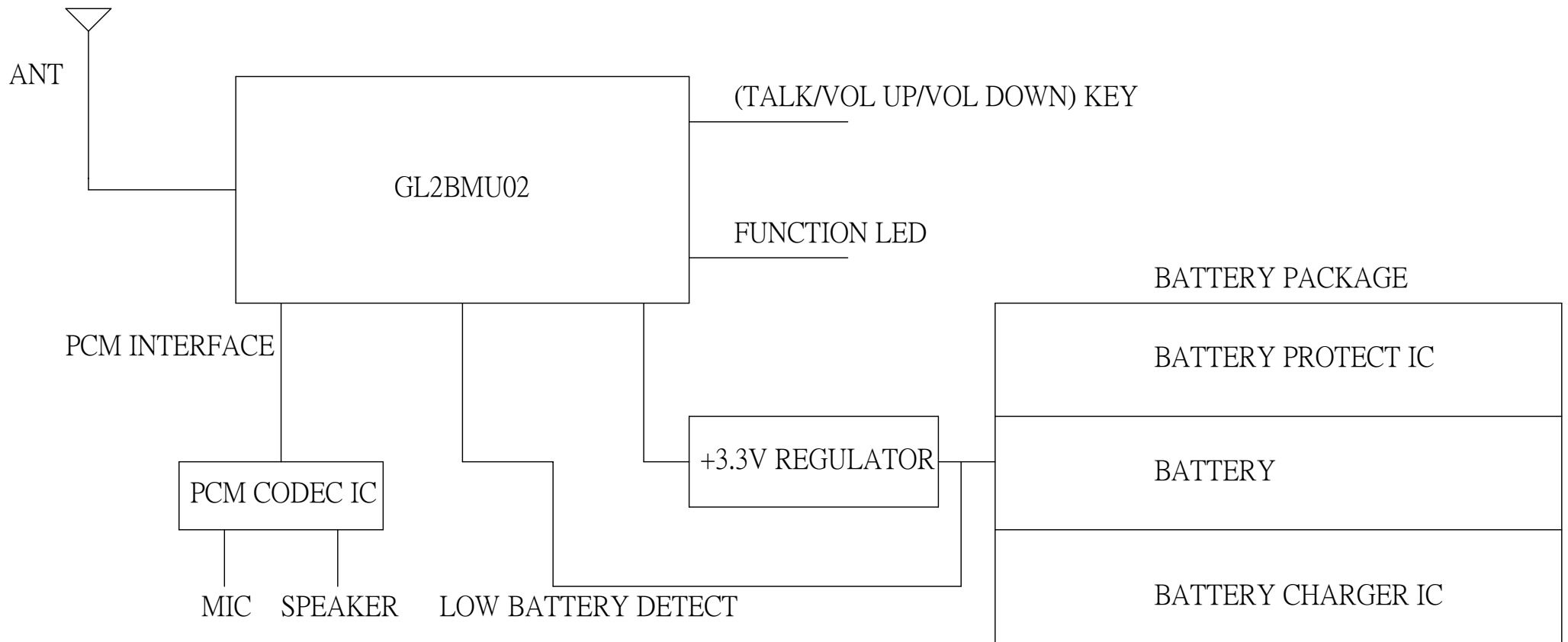
2

3

3

4

4



A

B

C

D

GL2BMU02 (Module) BLOCK DIAGRAMS.

