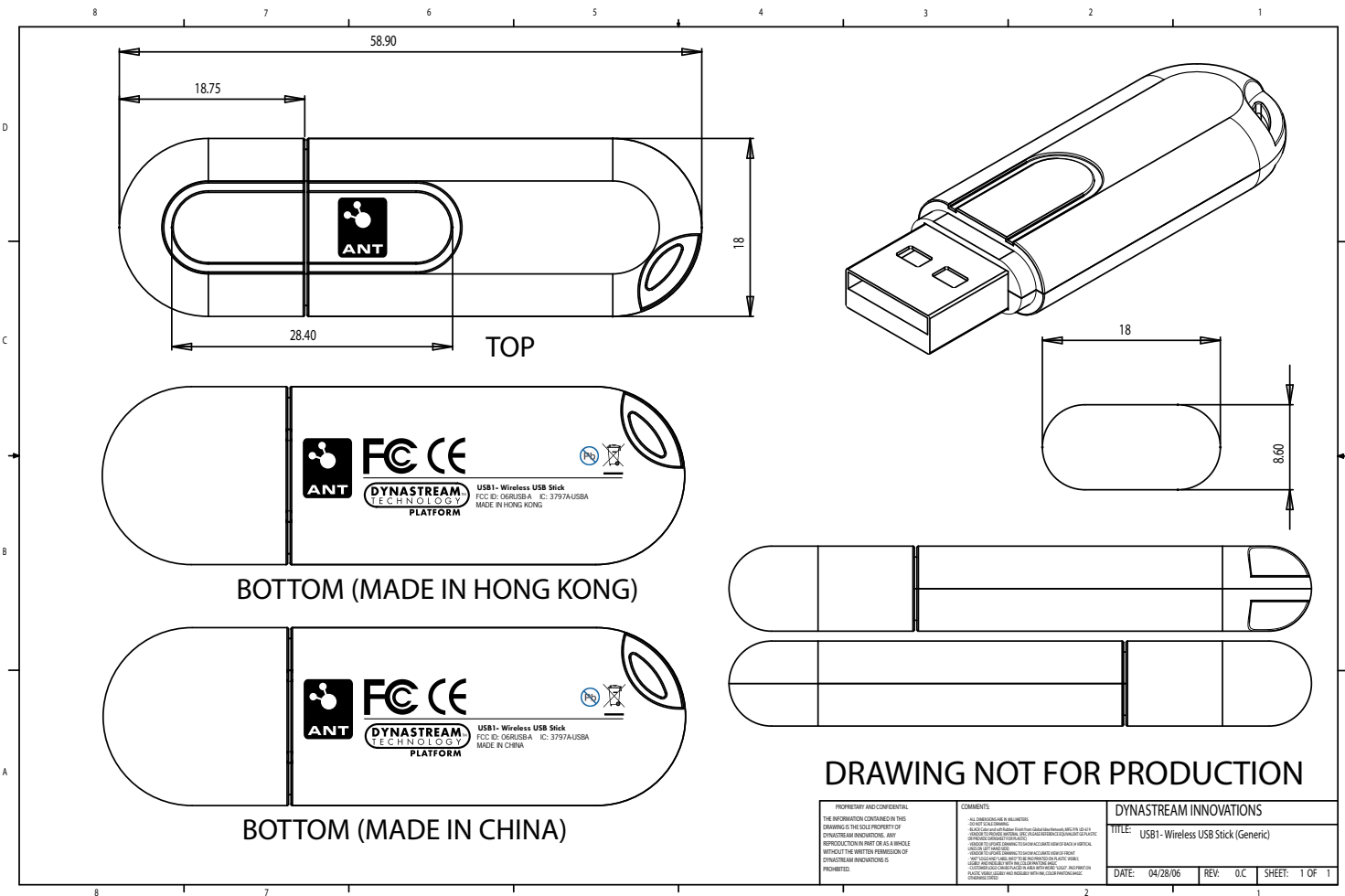


OEM



DRAWING NOT FOR PRODUCTION

<small>PROPRIETARY AND CONFIDENTIAL</small> <small>THE INFORMATION CONTAINED IN THIS DRAWING IS THE SOLE PROPERTY OF DYNASTREAM INNOVATIONS. ANY REPRODUCTION IN PART OR AS A WHOLE WITHOUT THE WRITTEN PERMISSION OF DYNASTREAM INNOVATIONS IS PROHIBITED.</small>	<small>COMMENTS:</small> <small>ALL DIMENSIONS ARE IN MILLIMETERS UNLESS SPECIFIED OTHERWISE.</small> <small>BLACK COLOR IS NOT MANDATORY UNLESS SPECIFICALLY NOTED IN DIMENSIONS.</small> <small>FINISHES TO BE SPECIFIED IN DIMENSIONS UNLESS OTHERWISE SPECIFIED.</small> <small>UNLESS SPECIFIED OTHERWISE, DIMENSIONS SHALL BE TO THE CENTERLINE UNLESS OTHERWISE SPECIFIED.</small> <small>UNLESS SPECIFIED OTHERWISE, DIMENSIONS SHALL BE TO THE CENTERLINE UNLESS OTHERWISE SPECIFIED.</small> <small>UNLESS SPECIFIED OTHERWISE, DIMENSIONS SHALL BE TO THE CENTERLINE UNLESS OTHERWISE SPECIFIED.</small> <small>UNLESS SPECIFIED OTHERWISE, DIMENSIONS SHALL BE TO THE CENTERLINE UNLESS OTHERWISE SPECIFIED.</small> <small>UNLESS SPECIFIED OTHERWISE, DIMENSIONS SHALL BE TO THE CENTERLINE UNLESS OTHERWISE SPECIFIED.</small> <small>UNLESS SPECIFIED OTHERWISE, DIMENSIONS SHALL BE TO THE CENTERLINE UNLESS OTHERWISE SPECIFIED.</small>	<small>DYNASTREAM INNOVATIONS</small>
		<small>TITLE: USB1-Wireless USB Stick (Generic)</small>
<small>DATE: 04/28/06</small>	<small>REV: 0.C</small>	<small>SHEET: 1 OF 1</small>