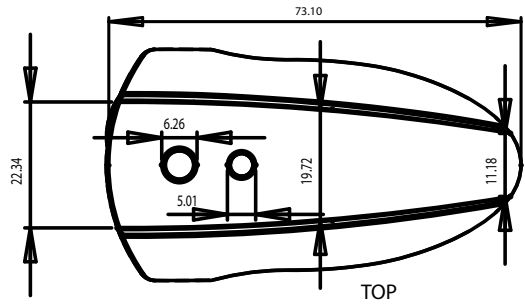
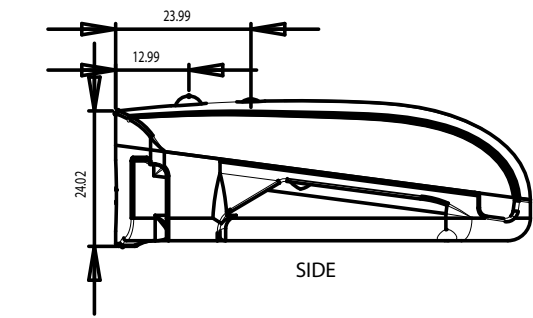
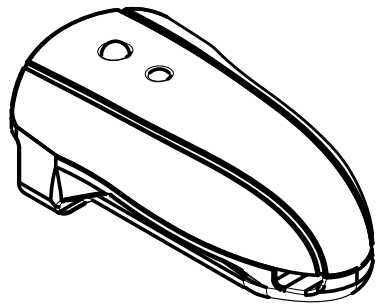


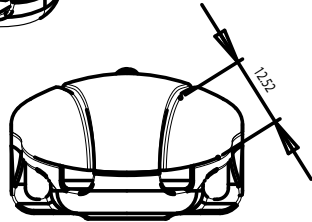
8 7 6 5 4 3 2 1



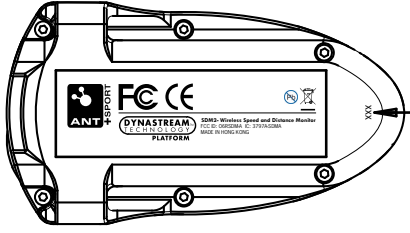
TOP



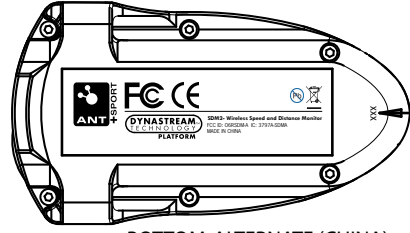
SIDE



FRONT



BOTTOM (HONG KONG)



BOTTOM, ALTERNATE (CHINA)

NOT FOR PRODUCTION

PROPRIETARY AND CONFIDENTIAL
 THE INFORMATION CONTAINED IN THIS DRAWING IS THE SOLE PROPERTY OF DYNASTREAM INNOVATIONS. ANY REPRODUCTION IN PART OR AS A WHOLE WITHOUT THE WRITTEN PERMISSION OF DYNASTREAM INNOVATIONS IS PROHIBITED.

DYNASTREAM INNOVATIONS
 TITLE: SDM2-Wireless Speed and Distance Monitor (Generic)
 DATE: 04/28/05 REV: 0.E SHEET: 1 OF 1

8 7 6 5 4 3 2 1