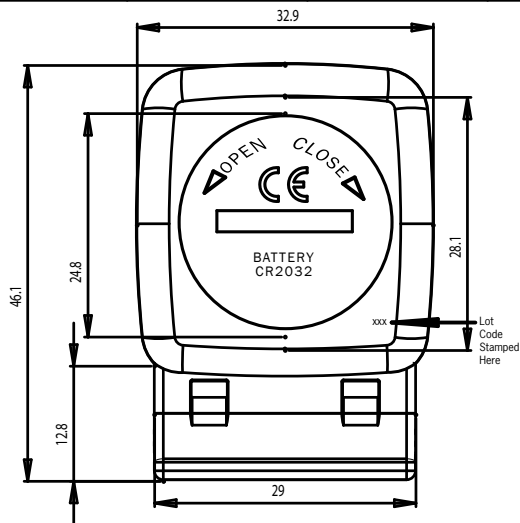
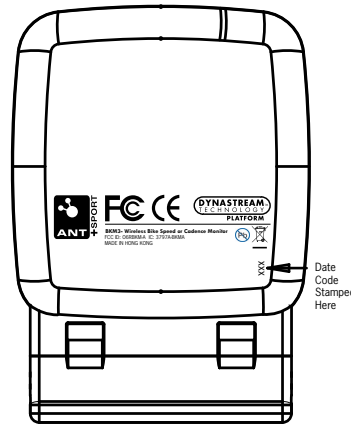


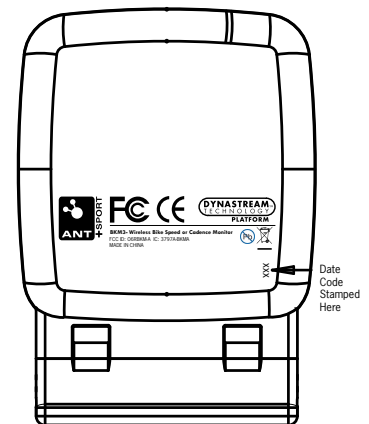
8 7 6 5 4 3 2 1



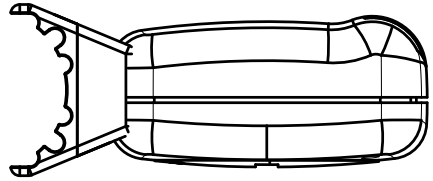
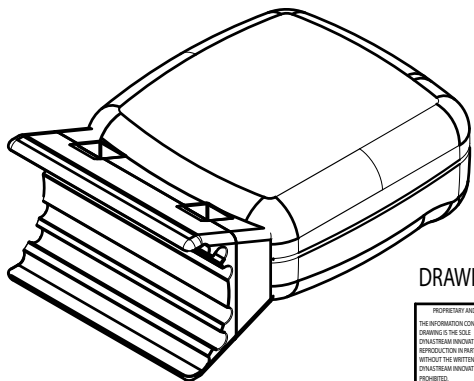
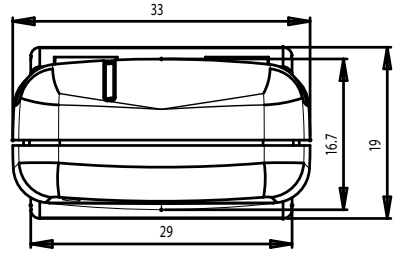
BACK



FRONT (MADE IN HONG KONG)



FRONT (MADE IN CHINA)



DRAWING NOT FOR PRODUCTION

PROPRIETARY AND CONFIDENTIAL. THE INFORMATION CONTAINED IN THIS DRAWING IS THE SOLE PROPERTY OF DYNASTREAM INNOVATIONS. ANY REPRODUCTION IN PART OR AS A WHOLE WITHOUT THE WRITTEN PERMISSION OF DYNASTREAM INNOVATIONS IS PROHIBITED.

| | | |
|---|----------|---------------|
| DYNASTREAM INNOVATIONS | | |
| TITLE: BKM3- Wireless Bike Speed or Cadence Monitor (Generic) | | |
| DATE: 04/28/06 | REV: 0.C | SHEET: 1 OF 1 |

8 7 6 5 4 3 2 1