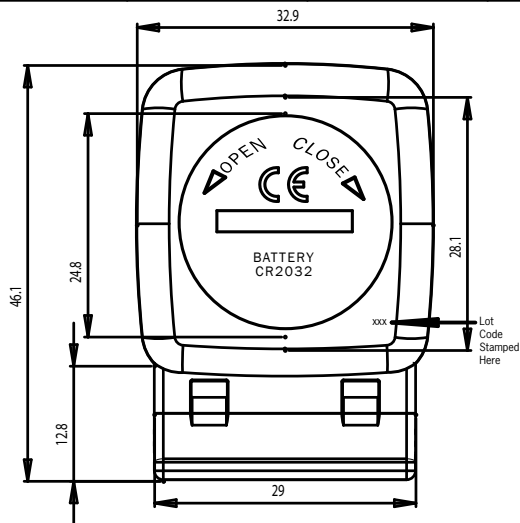
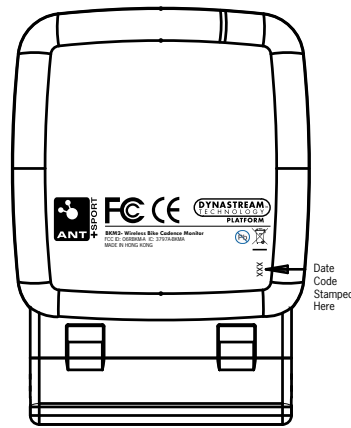


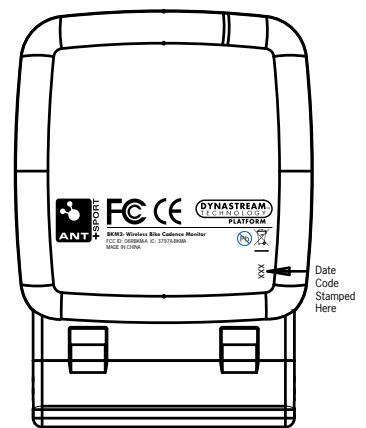
8 7 6 5 4 3 2 1



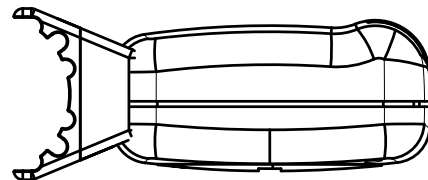
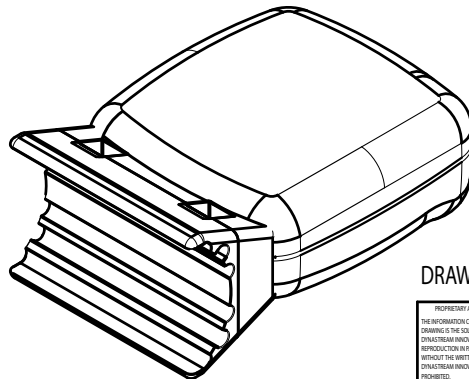
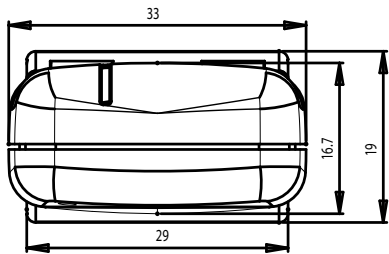
BACK



FRONT (MADE IN HONG KONG)



FRONT (MADE IN CHINA)



DRAWING NOT FOR PRODUCTION

PROPRIETARY AND CONFIDENTIAL  
 THE INFORMATION CONTAINED IN THIS  
 DRAWING IS THE SOLE  
 PROPERTY OF DYNASTREAM INNOVATIONS. ANY  
 REPRODUCTION IN PART OR AS A WHOLE  
 WITHOUT THE WRITTEN PERMISSION OF  
 DYNASTREAM INNOVATIONS IS  
 PROHIBITED.

COMMENTS:  
 ALL DIMENSIONS ARE IN MILLIMETERS UNLESS OTHERWISE SPECIFIED.  
 DIMENSIONS IN PARENTHESES ARE FOR INFORMATION ONLY.  
 DIMENSIONS IN SQUARE BRACKETS ARE FOR INFORMATION ONLY.  
 DIMENSIONS IN CIRCLES ARE FOR INFORMATION ONLY.  
 DIMENSIONS IN TRIANGLES ARE FOR INFORMATION ONLY.  
 DIMENSIONS IN DASHES ARE FOR INFORMATION ONLY.  
 DIMENSIONS IN BRACKETS ARE FOR INFORMATION ONLY.  
 DIMENSIONS IN PARENTHESES ARE FOR INFORMATION ONLY.  
 DIMENSIONS IN SQUARE BRACKETS ARE FOR INFORMATION ONLY.  
 DIMENSIONS IN CIRCLES ARE FOR INFORMATION ONLY.  
 DIMENSIONS IN TRIANGLES ARE FOR INFORMATION ONLY.  
 DIMENSIONS IN DASHES ARE FOR INFORMATION ONLY.  
 DIMENSIONS IN BRACKETS ARE FOR INFORMATION ONLY.  
 DIMENSIONS IN PARENTHESES ARE FOR INFORMATION ONLY.

DYNASTREAM INNOVATIONS		
TITLE: BKM2- Wireless Bike Cadence Monitor (Generic)		
DATE: 04/28/06	REV: 0.C	SHEET: 1 OF 1

8 7 6 5 4 3 2 1