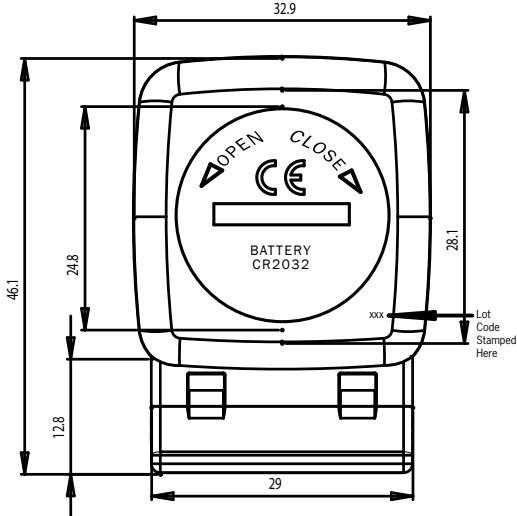
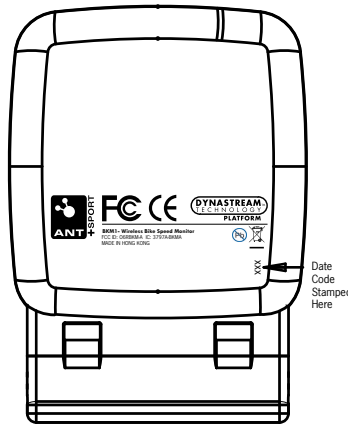


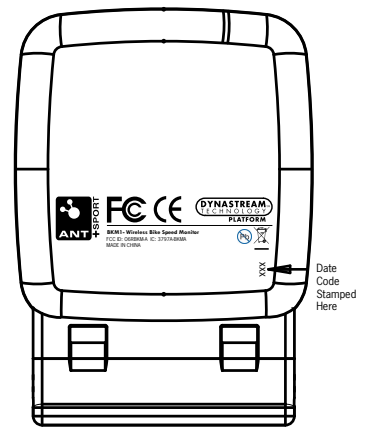
8 7 6 5 4 3 2 1



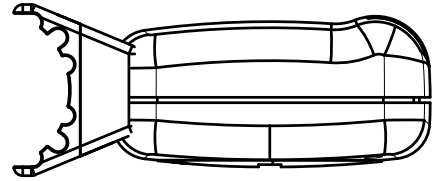
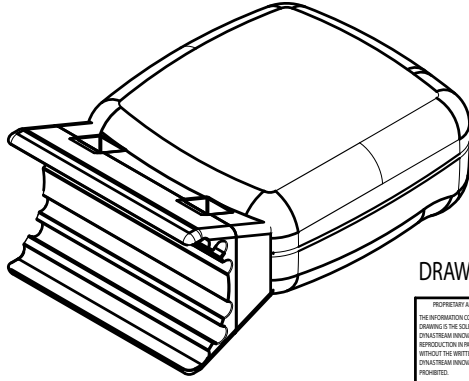
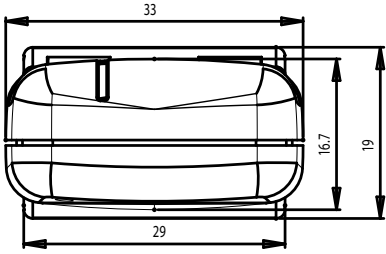
BACK



FRONT (MADE IN HONG KONG)



FRONT (MADE IN CHINA)



DRAWING NOT FOR PRODUCTION

PROPRIETARY AND CONFIDENTIAL. THE INFORMATION CONTAINED IN THIS DRAWING IS THE SOLE PROPERTY OF DYNASTREAM INNOVATIONS. ANY REPRODUCTION IN PART OR AS A WHOLE WITHOUT THE WRITTEN PERMISSION OF DYNASTREAM INNOVATIONS IS PROHIBITED.	COMMENTS: 1. THIS DRAWING IS A PRELIMINARY DESIGN. 2. THIS DRAWING IS NOT TO BE USED FOR PRODUCTION. 3. THIS DRAWING IS NOT TO BE USED FOR MARKETING. 4. THIS DRAWING IS NOT TO BE USED FOR SALES. 5. THIS DRAWING IS NOT TO BE USED FOR PURCHASE. 6. THIS DRAWING IS NOT TO BE USED FOR MANUFACTURE. 7. THIS DRAWING IS NOT TO BE USED FOR ASSEMBLY. 8. THIS DRAWING IS NOT TO BE USED FOR TESTING. 9. THIS DRAWING IS NOT TO BE USED FOR QUALITY CONTROL. 10. THIS DRAWING IS NOT TO BE USED FOR COMPLIANCE. 11. THIS DRAWING IS NOT TO BE USED FOR REGISTRATION. 12. THIS DRAWING IS NOT TO BE USED FOR PATENTING. 13. THIS DRAWING IS NOT TO BE USED FOR LICENSING. 14. THIS DRAWING IS NOT TO BE USED FOR INVESTMENT. 15. THIS DRAWING IS NOT TO BE USED FOR FINANCING. 16. THIS DRAWING IS NOT TO BE USED FOR SECURITY. 17. THIS DRAWING IS NOT TO BE USED FOR INSURANCE. 18. THIS DRAWING IS NOT TO BE USED FOR TAXATION. 19. THIS DRAWING IS NOT TO BE USED FOR ACCOUNTING. 20. THIS DRAWING IS NOT TO BE USED FOR LEGAL. 21. THIS DRAWING IS NOT TO BE USED FOR MEDICAL. 22. THIS DRAWING IS NOT TO BE USED FOR EDUCATION. 23. THIS DRAWING IS NOT TO BE USED FOR RESEARCH. 24. THIS DRAWING IS NOT TO BE USED FOR DEVELOPMENT. 25. THIS DRAWING IS NOT TO BE USED FOR INNOVATION. 26. THIS DRAWING IS NOT TO BE USED FOR CREATION. 27. THIS DRAWING IS NOT TO BE USED FOR PROTECTION. 28. THIS DRAWING IS NOT TO BE USED FOR PRESERVATION. 29. THIS DRAWING IS NOT TO BE USED FOR RESTORATION. 30. THIS DRAWING IS NOT TO BE USED FOR MAINTENANCE. 31. THIS DRAWING IS NOT TO BE USED FOR REPAIR. 32. THIS DRAWING IS NOT TO BE USED FOR REPLACEMENT. 33. THIS DRAWING IS NOT TO BE USED FOR UPGRADE. 34. THIS DRAWING IS NOT TO BE USED FOR DOWNGRADE. 35. THIS DRAWING IS NOT TO BE USED FOR MODIFICATION. 36. THIS DRAWING IS NOT TO BE USED FOR ADAPTATION. 37. THIS DRAWING IS NOT TO BE USED FOR CUSTOMIZATION. 38. THIS DRAWING IS NOT TO BE USED FOR PERSONALIZATION. 39. THIS DRAWING IS NOT TO BE USED FOR INDIVIDUALIZATION. 40. THIS DRAWING IS NOT TO BE USED FOR DIFFERENTIATION. 41. THIS DRAWING IS NOT TO BE USED FOR SEGMENTATION. 42. THIS DRAWING IS NOT TO BE USED FOR TARGETING. 43. THIS DRAWING IS NOT TO BE USED FOR POSITIONING. 44. THIS DRAWING IS NOT TO BE USED FOR PROMOTION. 45. THIS DRAWING IS NOT TO BE USED FOR SALES PROMOTION. 46. THIS DRAWING IS NOT TO BE USED FOR ADVERTISING. 47. THIS DRAWING IS NOT TO BE USED FOR PUBLICITY. 48. THIS DRAWING IS NOT TO BE USED FOR RELATIONS. 49. THIS DRAWING IS NOT TO BE USED FOR COMMUNICATION. 50. THIS DRAWING IS NOT TO BE USED FOR INFORMATION. 51. THIS DRAWING IS NOT TO BE USED FOR KNOWLEDGE. 52. THIS DRAWING IS NOT TO BE USED FOR WISDOM. 53. THIS DRAWING IS NOT TO BE USED FOR UNDERSTANDING. 54. THIS DRAWING IS NOT TO BE USED FOR APPRECIATION. 55. THIS DRAWING IS NOT TO BE USED FOR RESPECT. 56. THIS DRAWING IS NOT TO BE USED FOR TOLERANCE. 57. THIS DRAWING IS NOT TO BE USED FOR ACCEPTANCE. 58. THIS DRAWING IS NOT TO BE USED FOR RECOGNITION. 59. THIS DRAWING IS NOT TO BE USED FOR PRAISE. 60. THIS DRAWING IS NOT TO BE USED FOR HONOR. 61. THIS DRAWING IS NOT TO BE USED FOR GLORY. 62. THIS DRAWING IS NOT TO BE USED FOR FAME. 63. THIS DRAWING IS NOT TO BE USED FOR REPUTATION. 64. THIS DRAWING IS NOT TO BE USED FOR CREDIT. 65. THIS DRAWING IS NOT TO BE USED FOR RESPECTABILITY. 66. THIS DRAWING IS NOT TO BE USED FOR DIGNITY. 67. THIS DRAWING IS NOT TO BE USED FOR HONORABILITY. 68. THIS DRAWING IS NOT TO BE USED FOR INTEGRITY. 69. THIS DRAWING IS NOT TO BE USED FOR SINCERITY. 70. THIS DRAWING IS NOT TO BE USED FOR HONESTY. 71. THIS DRAWING IS NOT TO BE USED FOR FAITHFULNESS. 72. THIS DRAWING IS NOT TO BE USED FOR TRUSTWORTHINESS. 73. THIS DRAWING IS NOT TO BE USED FOR RELIABILITY. 74. THIS DRAWING IS NOT TO BE USED FOR STABILITY. 75. THIS DRAWING IS NOT TO BE USED FOR CONSISTENCY. 76. THIS DRAWING IS NOT TO BE USED FOR PREDICTABILITY. 77. THIS DRAWING IS NOT TO BE USED FOR REGULARITY. 78. THIS DRAWING IS NOT TO BE USED FOR ORDERLYNESS. 79. THIS DRAWING IS NOT TO BE USED FOR NEATNESS. 80. THIS DRAWING IS NOT TO BE USED FOR CLEANLINESS. 81. THIS DRAWING IS NOT TO BE USED FOR PRECISION. 82. THIS DRAWING IS NOT TO BE USED FOR ACCURACY. 83. THIS DRAWING IS NOT TO BE USED FOR EXACTNESS. 84. THIS DRAWING IS NOT TO BE USED FOR CORRECTNESS. 85. THIS DRAWING IS NOT TO BE USED FOR RIGHTNESS. 86. THIS DRAWING IS NOT TO BE USED FOR JUSTICE. 87. THIS DRAWING IS NOT TO BE USED FOR FAIRNESS. 88. THIS DRAWING IS NOT TO BE USED FOR EQUITY. 89. THIS DRAWING IS NOT TO BE USED FOR BALANCE. 90. THIS DRAWING IS NOT TO BE USED FOR HARMONY. 91. THIS DRAWING IS NOT TO BE USED FOR COHESION. 92. THIS DRAWING IS NOT TO BE USED FOR UNITY. 93. THIS DRAWING IS NOT TO BE USED FOR ONENESS. 94. THIS DRAWING IS NOT TO BE USED FOR WHOLENESS. 95. THIS DRAWING IS NOT TO BE USED FOR COMPLETENESS. 96. THIS DRAWING IS NOT TO BE USED FOR FULLNESS. 97. THIS DRAWING IS NOT TO BE USED FOR RICHNESS. 98. THIS DRAWING IS NOT TO BE USED FOR ABUNDANCE. 99. THIS DRAWING IS NOT TO BE USED FOR AMPLITUDE. 100. THIS DRAWING IS NOT TO BE USED FOR EXTENSIVENESS.	DYNASTREAM INNOVATIONS TITLE: BKM1- Wireless Bike Speed Monitor (Generic) DATE: 04/28/06 REV: 0.C SHEET: 1 OF 1

8 7 6 5 4 3 2 1