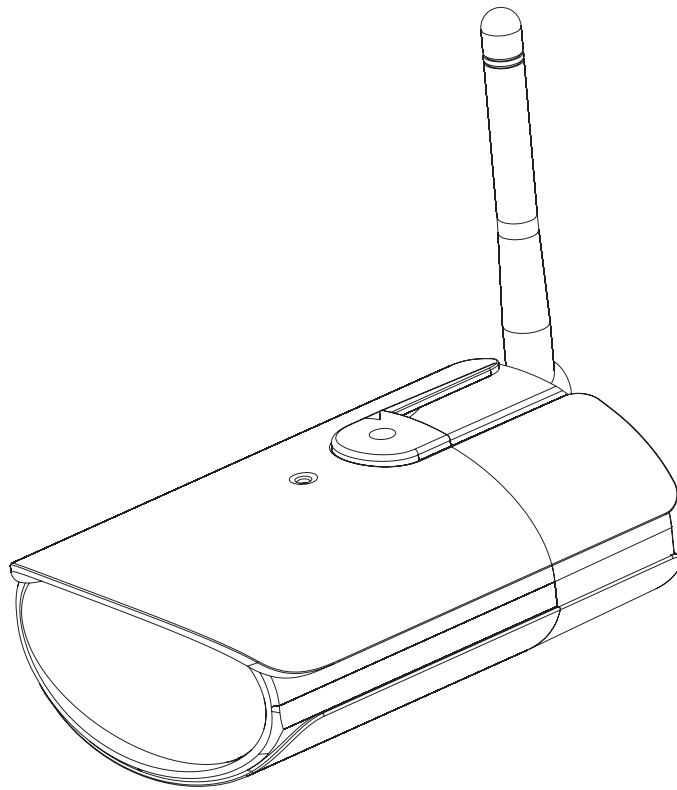

VSC-5882A

5.8GHz Wireless Outdoor CMOS Camera



Contents

1. Important Safety Information.....	1
2. Specification.....	1
3. Package Content	2
4. Panel Control And Function	2
5. Setup Guide	3

1. Important Safety Information

To prevent fire or shock hazard, do not expose this product to rain and moisture. For example: do not use near a bathtub, washbowl, kitchen sink, or laundry tub, in a wet basement, or nearby a swimming pool. To avoid electric shock, do not take apart this product, provided as an accessory. This product should be operated only under power supply. Do not overload wall outlets and extension outlets as this can result in the risk of fire or electric shock.

NOTE:

This equipment has been tested and found to comply with the limits regulated by FCC and CE. These limits are designed to provide reasonable protection against harmful interference in a residential installation. This equipment generates, uses and can radiate radio frequency energy and, if not installed and used in accordance with the instruction, may cause harmful interference to radio communications. The change or modifications not expressly approved by the party responsible for compliance could void the user's authority to operate the equipment. To comply with the FCC RF exposure compliance requirements, no change to the antenna or the device is permitted. Any change to the antenna or the device could result in the device exceeding the RF exposure requirements and void user's authority to operate the device.

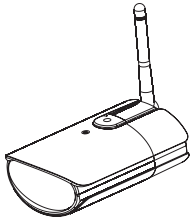
2. Specification

Input Voltage	DC 8~28V
Current Consumption	< 200mA
Operation temperature & humidity	0°C ~+40°C less than 85%
Storage temperature & humidity	-20°C ~+70°C less than 90%
Weatherproof	IP65
Output power @EIRP	FCC 0dBm CE 14dBm
Channel selection	Dip switch(8CH)

3.Package Contents

Check to make sure that all units shown as below are enclosed. If something missing, please contact your dealer.

1. 5.8GHz CMOS Camera X 1



2. Cover X1, Screw X 2



3. Power Adapters (12V/300mA)

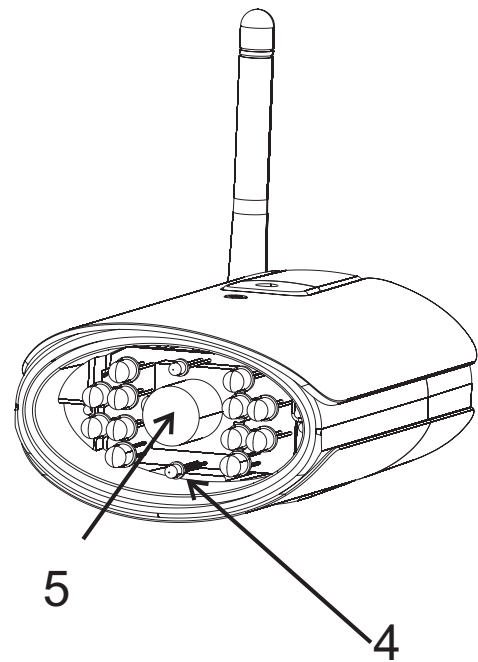
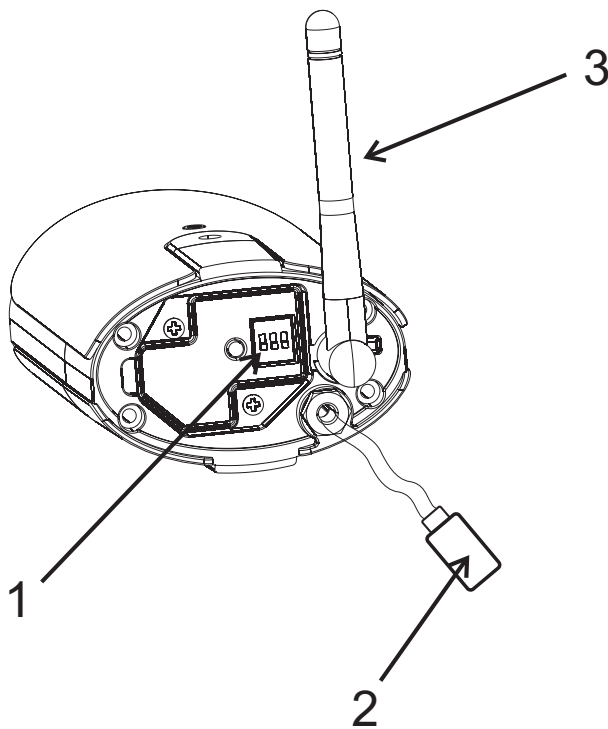


4. Bracket X1



4.Panel Control and Function

5.8GHz COMS Camera



- 1 DIP-Switch for channel selection.
- 2 DC power jack, connect to power supply. (8~28VDC).
- 3 5.8GHz antenna.
- 4 Power indicator (red).
- 5 Lens.

5.Setup Guide

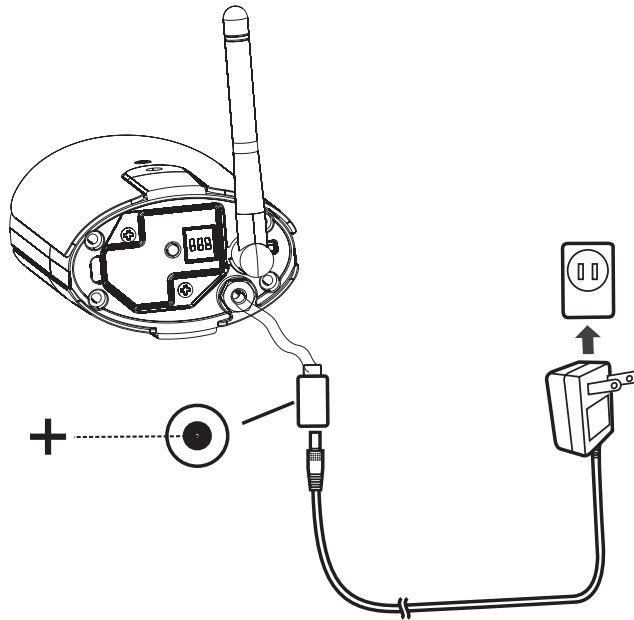
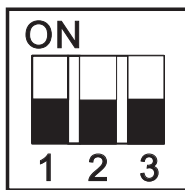


Fig. 1

- 1 According to the diagram, Connect the DC plug of the power adapter to the DC jack, and connect the power adapter to an outlet(As shown in Fig.1).
- 2 DIP-Switch for Channel Selection, to find optimal reception, the transmitter and receiver must to be configured as the same channel(As shown in Fig.2).

UPPER
↑



CH1	Down	Down	Down
CH2	Upper	Down	Down
CH3	Down	Upper	Down
CH4	Upper	Upper	Down
CH5	Down	Down	Upper
CH6	Upper	Down	Upper
CH7	Down	Upper	Upper
CH8	Upper	Upper	Upper

Fig. 2

3 Switch to the optimal channel before put on waterproof cover and fasten the screw. (As shown in Fig 3)

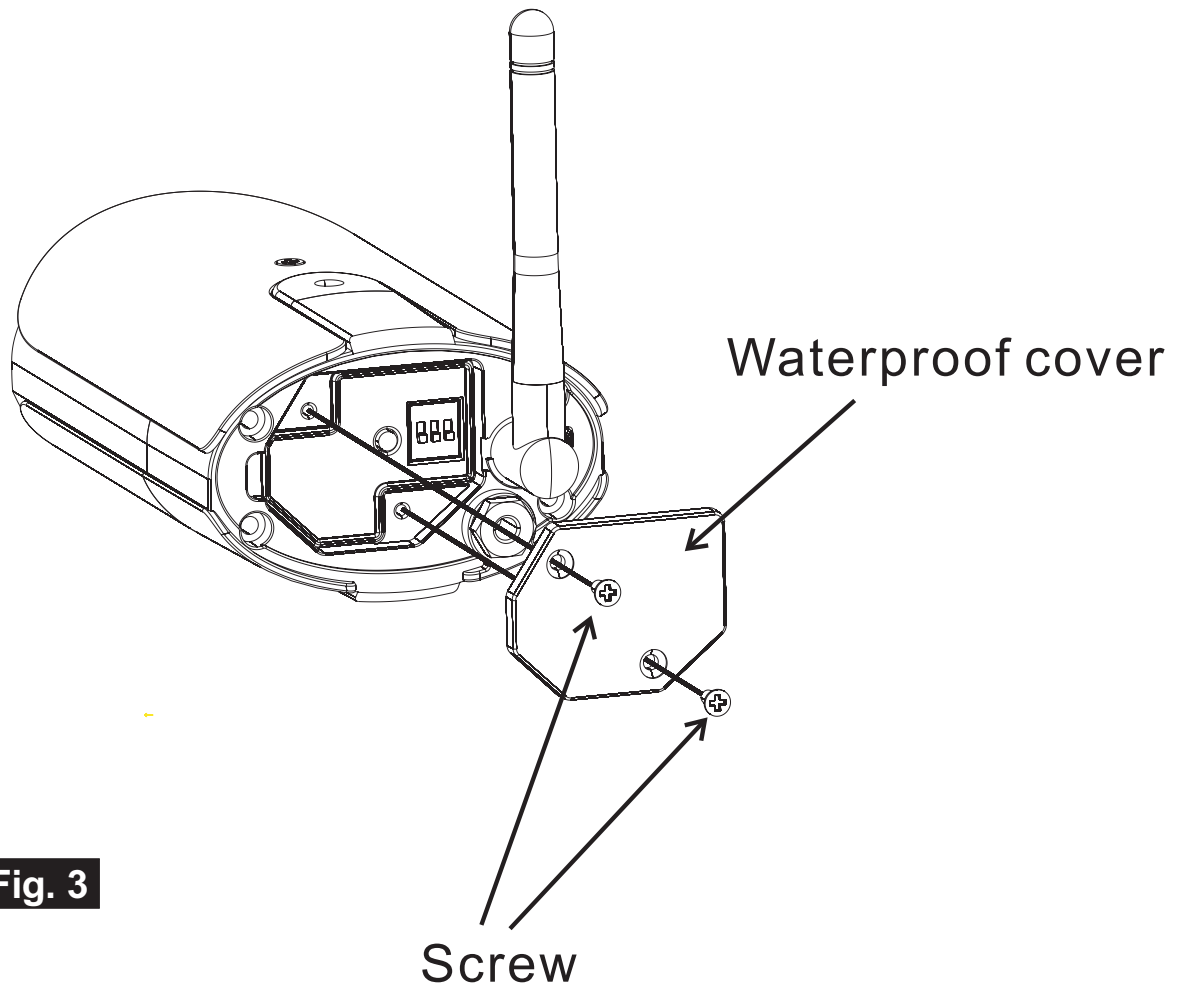


Fig. 3

Preliminary Specification
For
VSC-5882
5.8GHz Wireless Outdoor CMOS Camera

Document Number : PSC08002

Page : 1 of 4
Revision : 1A
Date : 2008-10-31

TRANWO Technology Corp.

www.chemlink.com.tw

1. Introduction

This document describes the specifications and features of the CHEMLINK 5.8GHz Wireless outdoor CMOS Camera which use FM modulation technology for wireless A/V transmission.

2. Features

- Avoids interference from crowded 2.4GHz ISM applications such as video senders, 802.11b WLAN equipment, Bluetooth-enable products, cordless phones, microwave ovens, etc.
- Operating frequency: 5733 ~ 5866MHz (8 channels)
- Up to 300 feet range, clear line of sight
- Supports NTSC / PAL composite Video format
- Auto white balance control
- 50Hz / 60Hz flicker cancellation
- IP65 weatherproof supported

3. Specifications

3.1 Wireless CMOS Camera

3.1.1 General specifications

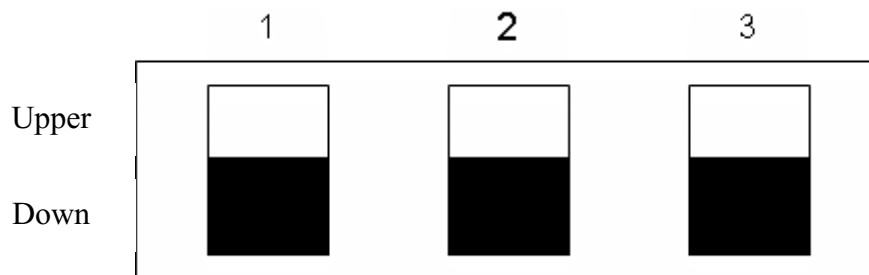
Input voltage	DC 8 ~ 28V
Current consumption:	
IR LEDs OFF	120mA @12VDC
IR LEDs ON	200mA @12VDC
Operating temperature & humidity	0 ℃ ~ +40 ℃ less than 85%
Storage temperature & humidity	-20 ℃ ~ +70 ℃ less than 90%
Weatherproof	IP65

3.1.2 Electrical specifications

RF			
Output power @ EIRP	FCC 0 dBm	CE 14 dBm	
Modulation type	FM		
Channel Frequency	CH1	5733	MHz
	CH2	5752	MHz
	CH3	5771	MHz
	CH4	5790	MHz
	CH5	5809	MHz
	CH6	5828	MHz
	CH7	5847	MHz
	CH8	5866	MHz
Channel selection	DIP switch		
Frequency stability	±250KHz		
Output flatness	3 dB		

Video	Input Level	1V _{p-p} ±0.15 V _{p-p} Load
	Impedance	75 ohms
	Pre-Emphasis	NTSC & PAL
Image	Sensor	1/3" CMOS Sensor
	Image area	5.961mm*4.276mm
	Array size	510 X 496 (NTSC) 628 X 586 (PAL)
Illumination	Night Vision Range	10 m
LENS	LENS	f6.0mm, F2.0 , (4 glasses with IR cut filter)
	LENS focus	Fixed
	View angle	60°
Accessory	Adaptor	DC 12V/300mA
	Bracket	Optional

3.2 Dip Switch for Channel Selection



CH1	Down	Down	Down
CH2	Upper	Down	Down
CH3	Down	Upper	Down
CH4	Upper	Upper	Down
CH5	Down	Down	Upper
CH6	Upper	Down	Upper
CH7	Down	Upper	Upper
CH8	Upper	Upper	Upper

4. Photograph

4.1 Wireless CMOS Camera

