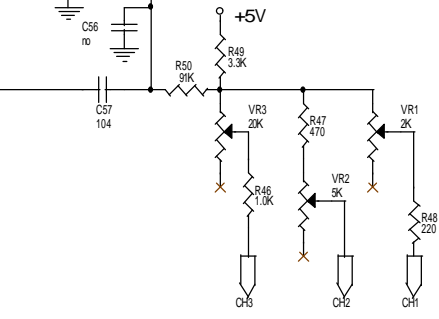
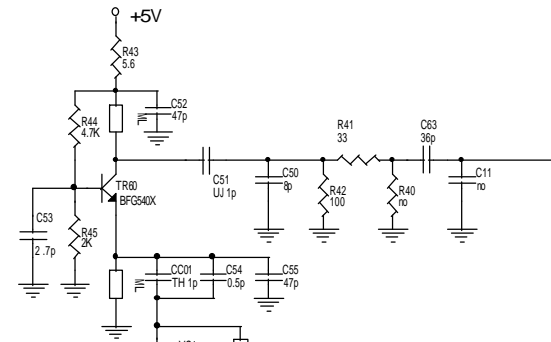
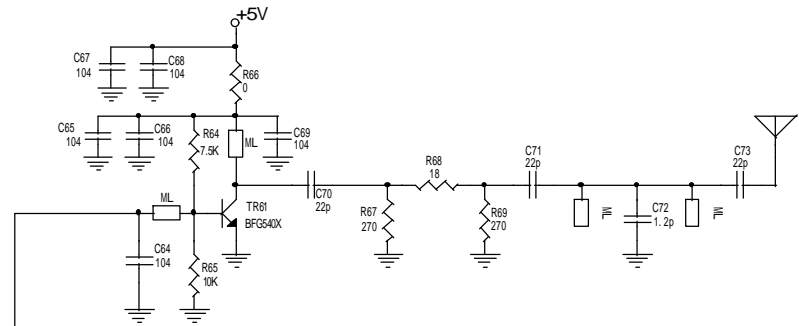
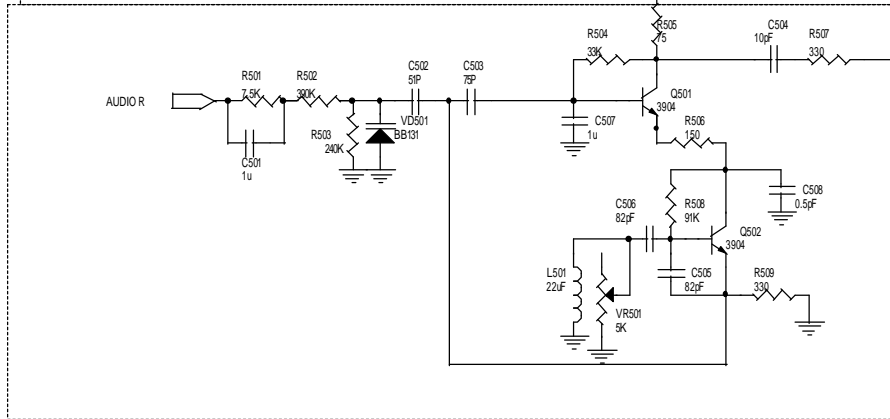
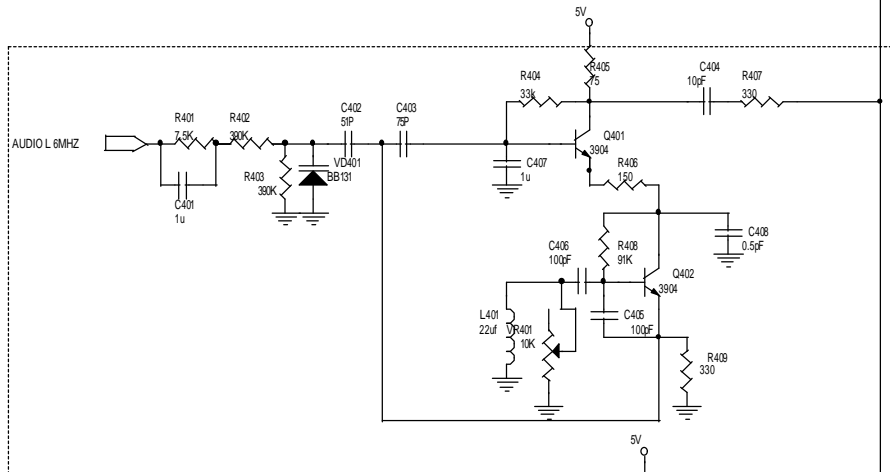
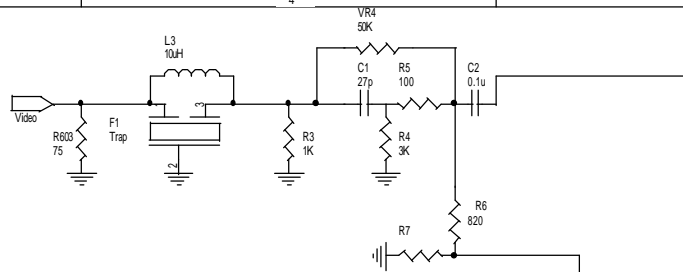


JUN-28-2004

Title		<Title>	
Size	Document Number	Rev	<RevCode>
A3	<Doc>		
Date:	Thursday, October 07, 2004	Sheet	1 of 1



Title		<Title>
Size	Document Number	Rev
B	<Doc>	<Rev Code>
Date:	Monday, February 9, 2010	Sheet 1 of 1