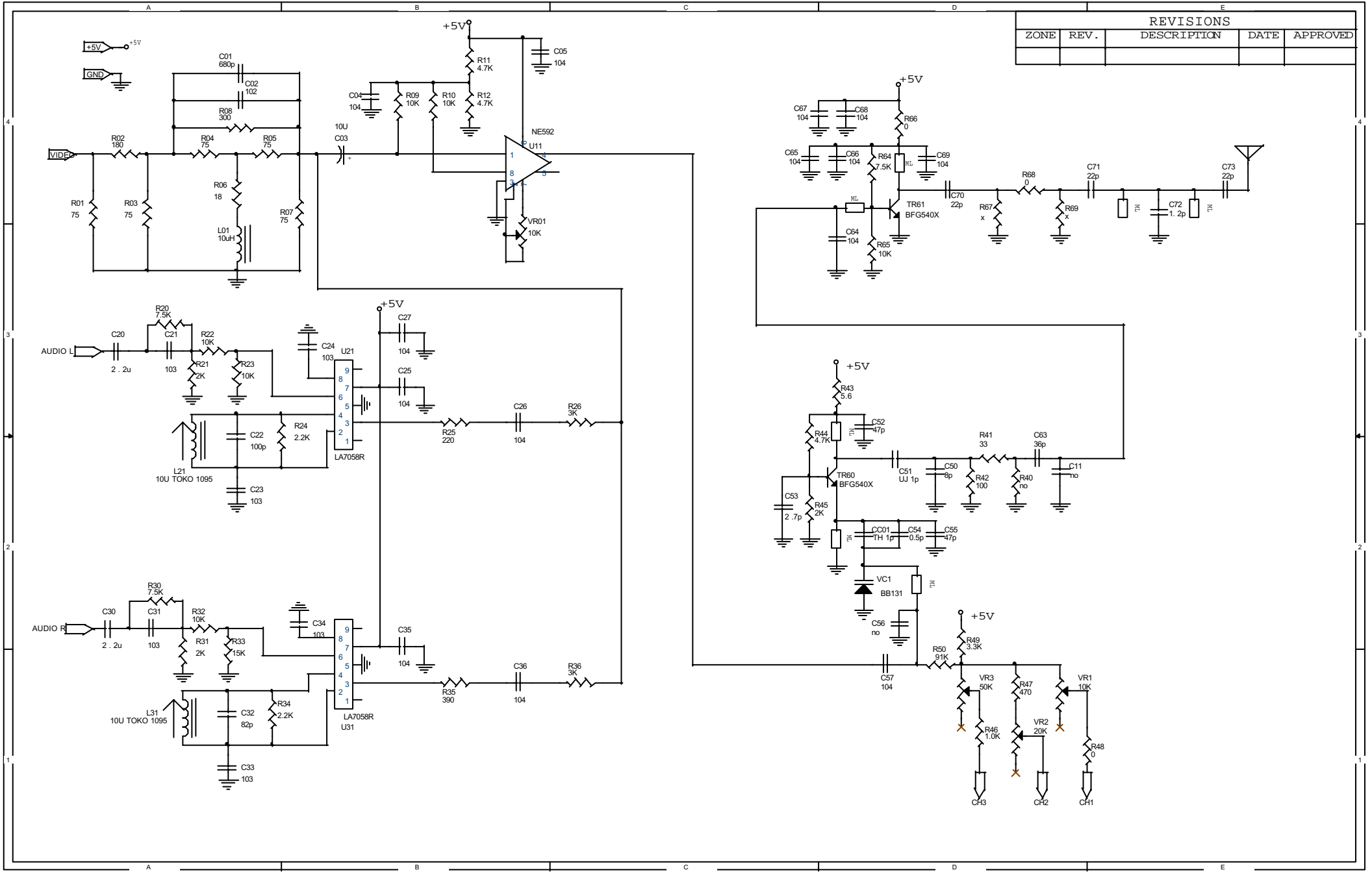
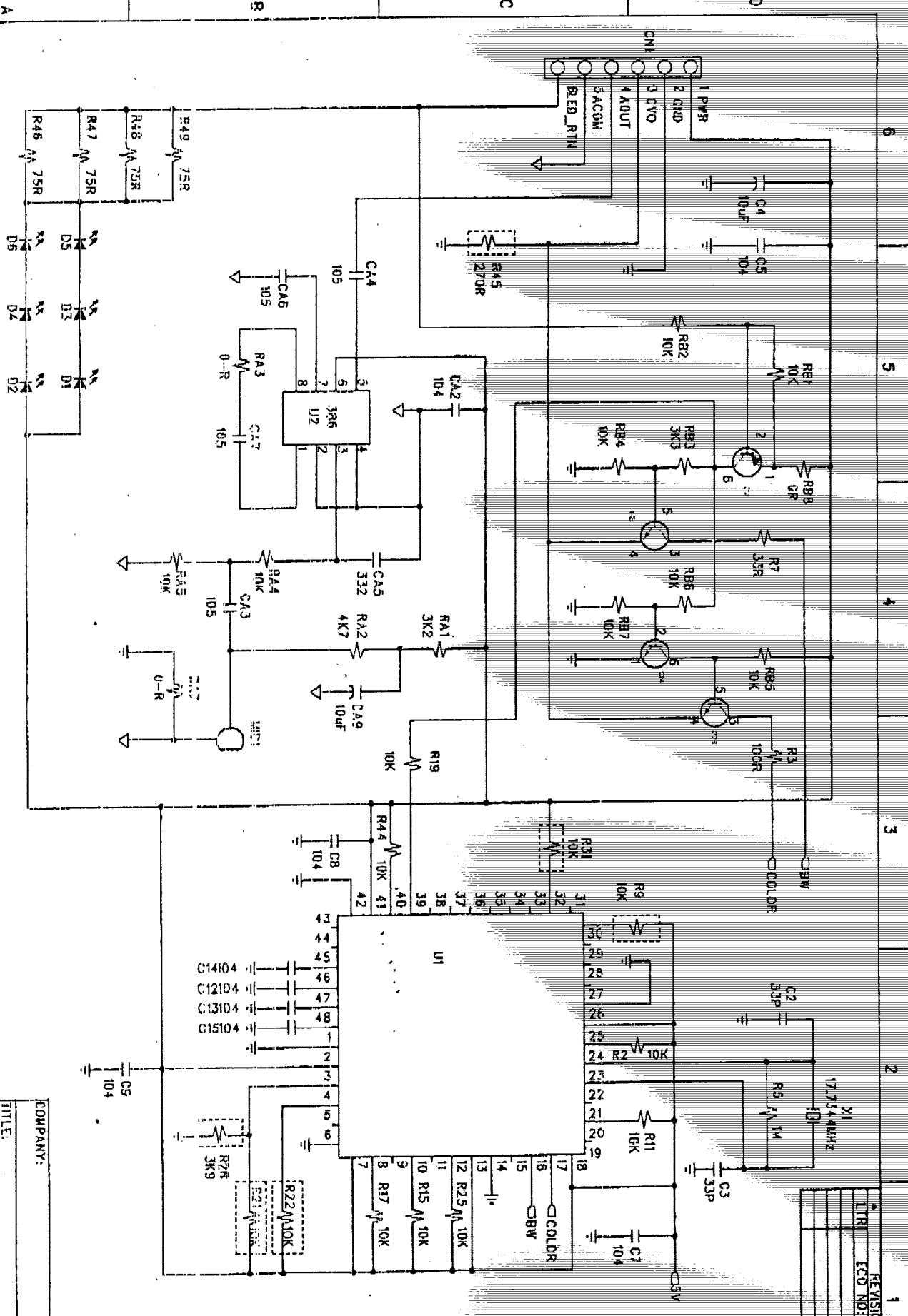


Title		
Size A	Document Number <Doc>	Rev
Date:	Monday, August 19, 2002	Sheet 1 of 1

REVISIONS				
ZONE	REV.	DESCRIPTION	DATE	APPROVED





NOTE :

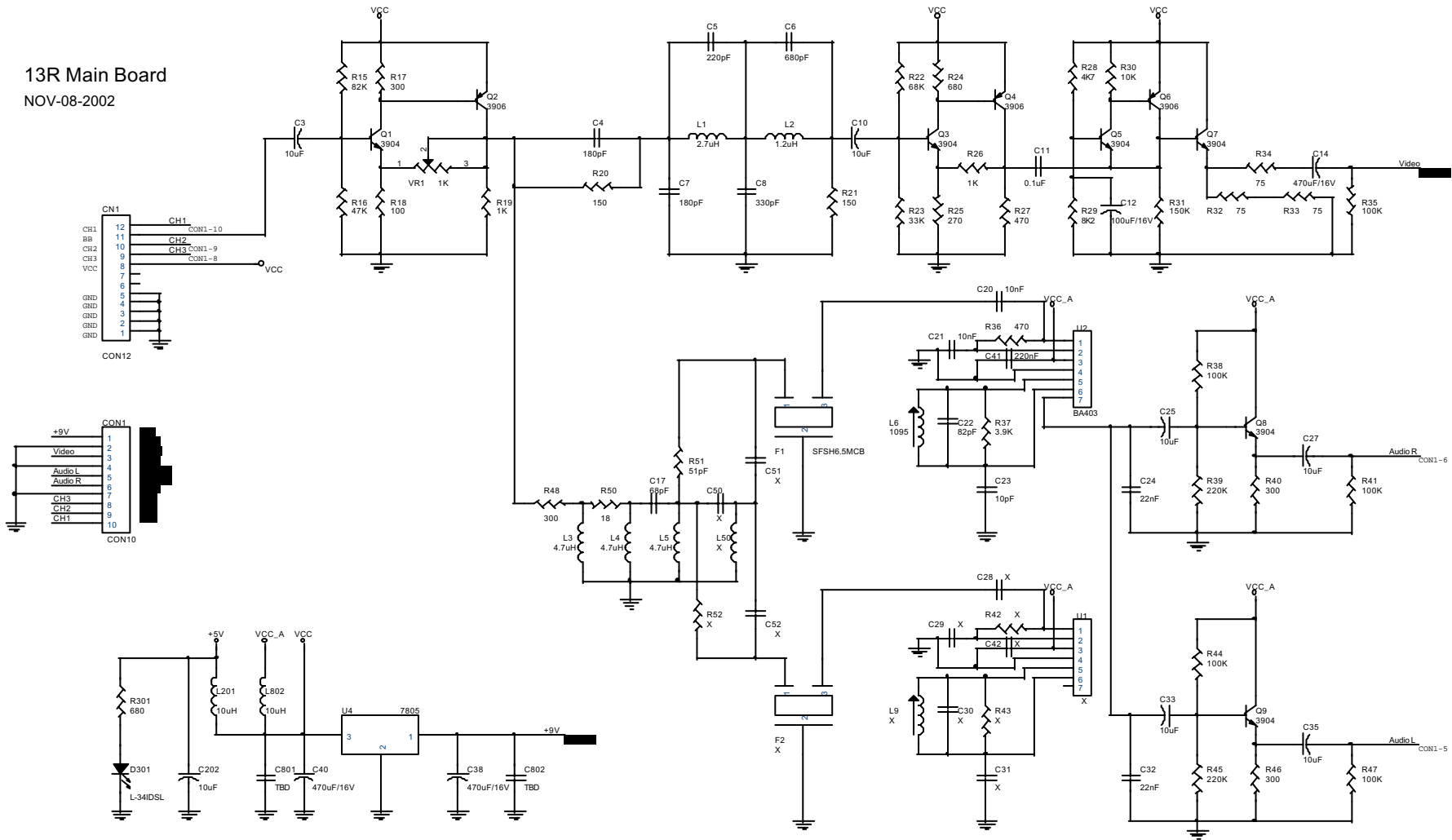
- 1) R2 PAL/NTSC Switch
- 2) X1 : 17.7344MHz for PAL (50Hz) R2 ON
- 3) X1 : 14.31818MHz for NTSC (60Hz) R2 OFF

Option (Keep it in layout)

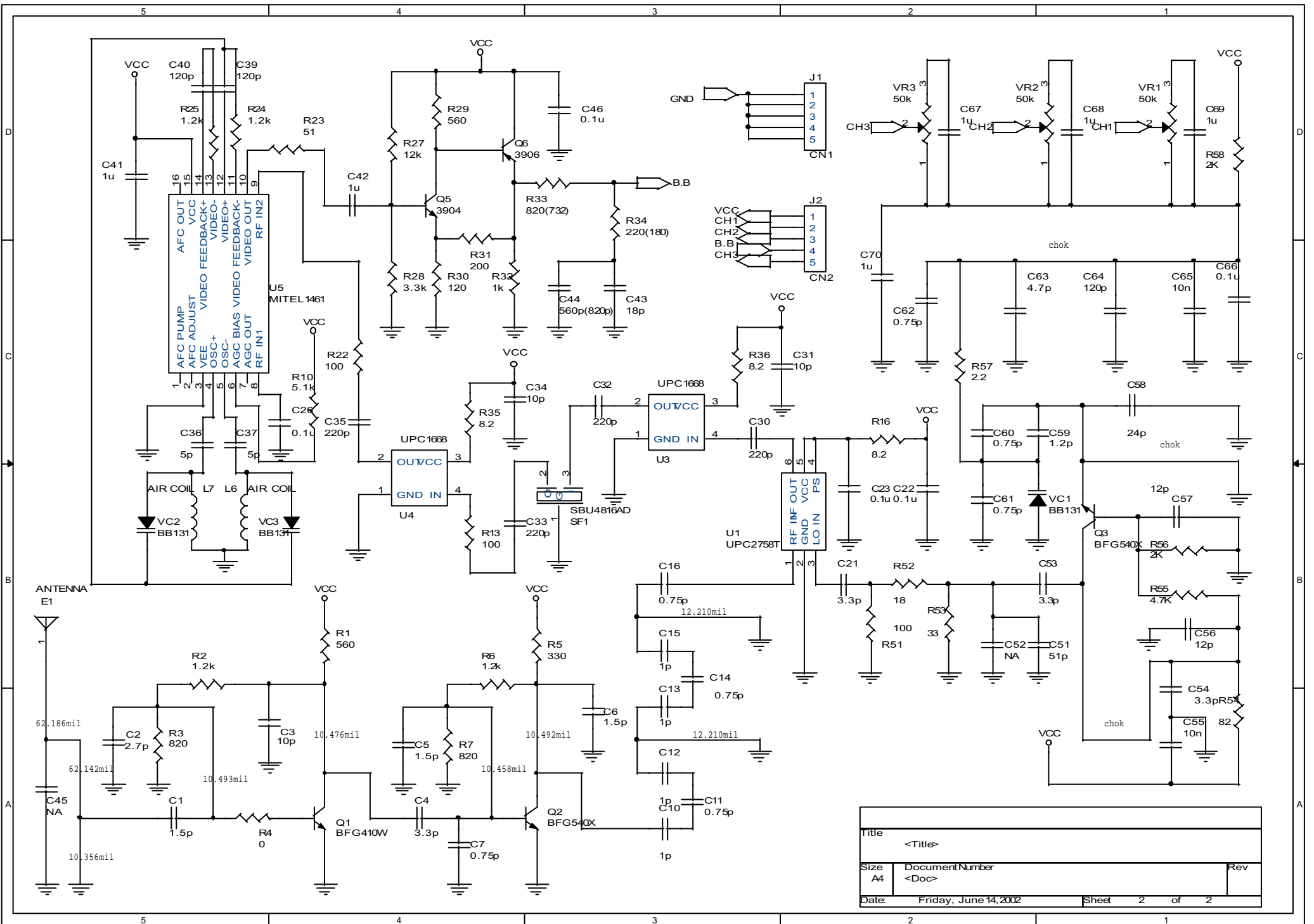
DRAWN:	DATE:	TITLE:	COMPANY:
CHECKED:	DATE:	GA-45T	
QUALITY CONTROL:	DATE:		
RELEASED:	DATE:		

REVISION RECORD	
NO.	DESCRIPTION
1	ECU NOT APPROVED

13R Main Board
NOV-08-2002



Title		
<Title>		
Size	Document Number	Rev
Custom	<Doc>	01
Date:	Friday, November 08, 2002	Sheet 1 of 1



Title		
<Title>		
Size	Document Number	Rev
A4	<Doc>	
Date:	Friday, June 14, 2002	Sheet 2 of 2