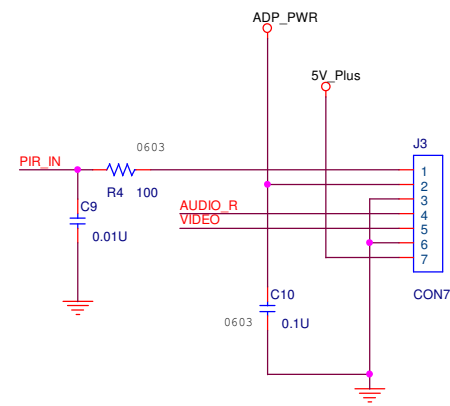
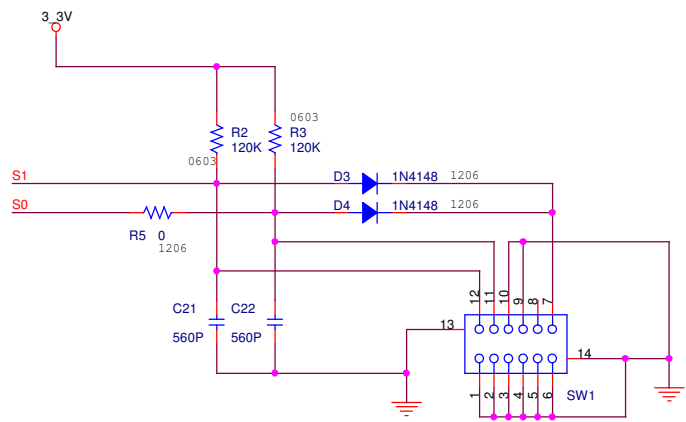
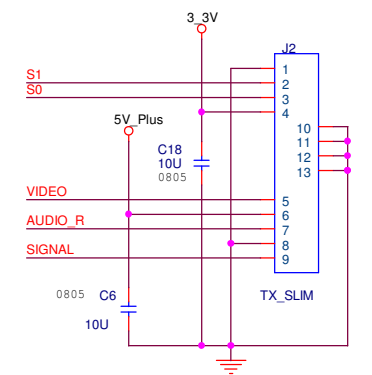
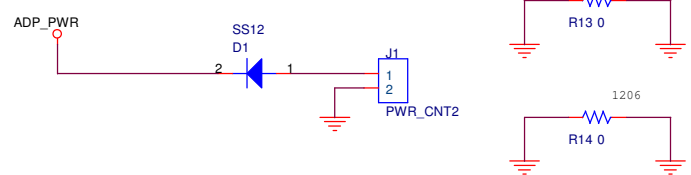
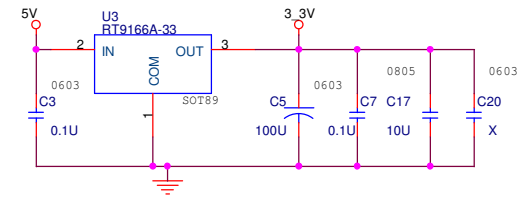
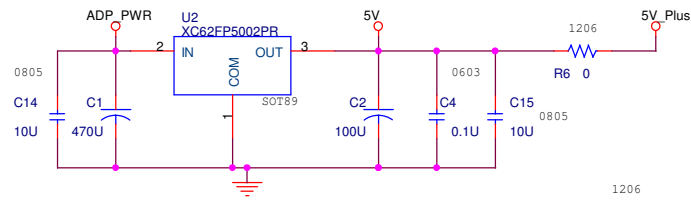
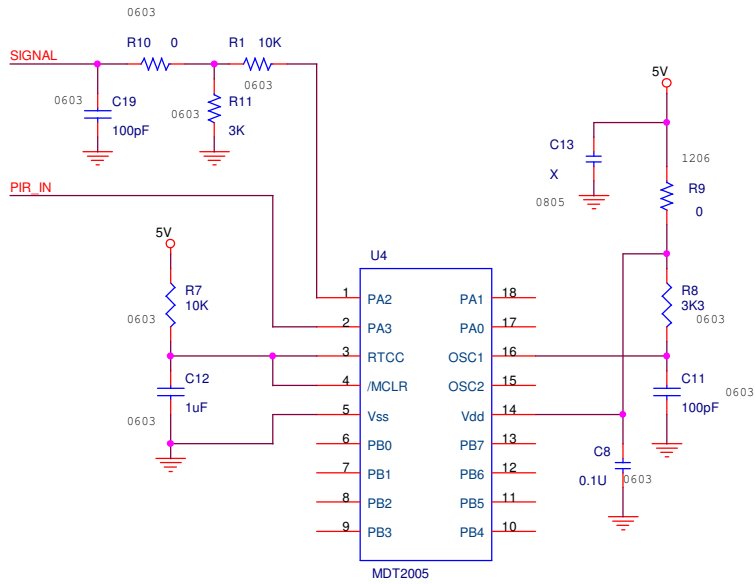


Title		
Size	Number	Revision
A4		
Date:	5-Apr-2006	Sheet of
File:	E:\已发PCB\QAOV36-1 OK.DDB	Drawn By:



Title		
<Title>		
Size	Document Number	Rev
B	<Doc>	<RevCode>
Date:	Friday, March 17, 2006	Sheet 1 of 1