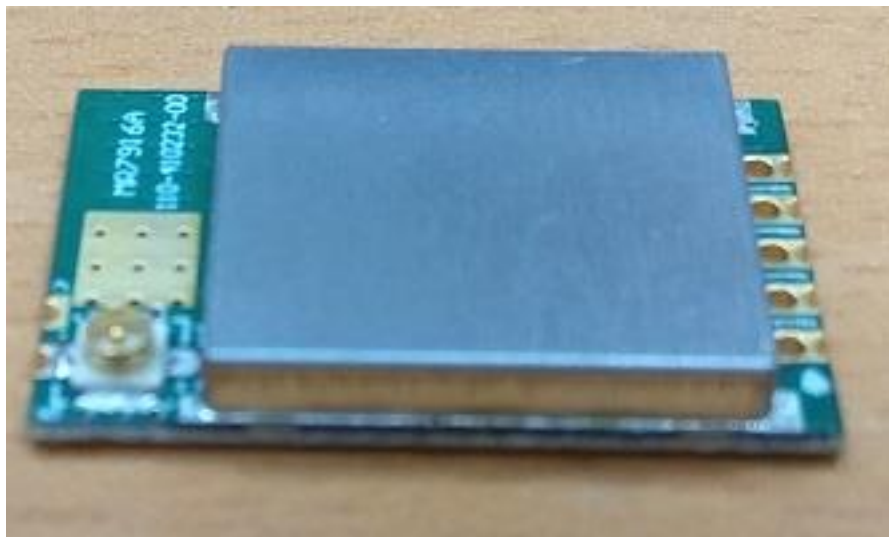
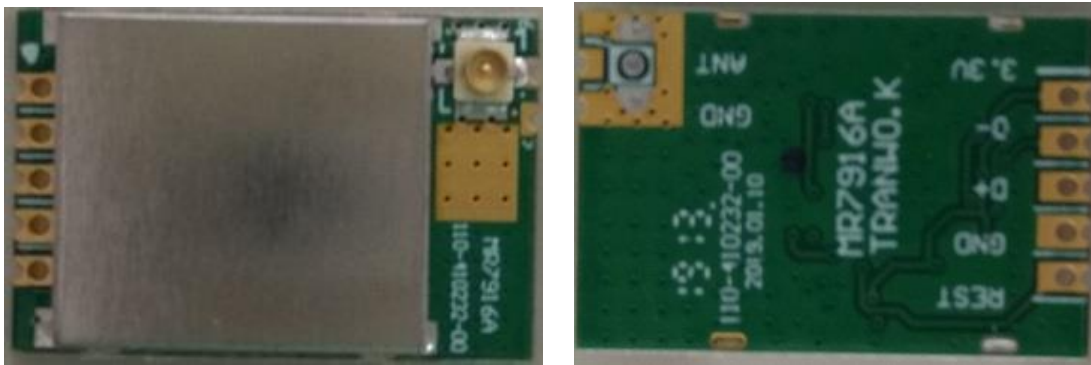


WF7916 WiFi module specification



A. Features

- ▶ IEEE 802.11 b/g/n compliant
- ▶ 1T1R mode with support of 150Mbps PHY rate
- ▶ Integrated LNA, PA and T/R switch
- ▶ Support with USB 2.0 high speed mode
- ▶ Embedded 32-bit RISC microprocessor
- ▶ Integrated EFUSE to eliminate the requirement of external EEPROM
- ▶ Outline: 15.24x 17.27 x 3.22 mm

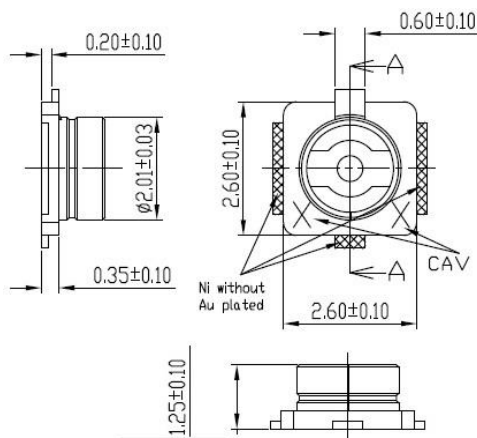
B. Applications

- ▶ WiFi Baby Monitor
- ▶ WiFi IP Camera
- ▶ Mobile, Tablet PC

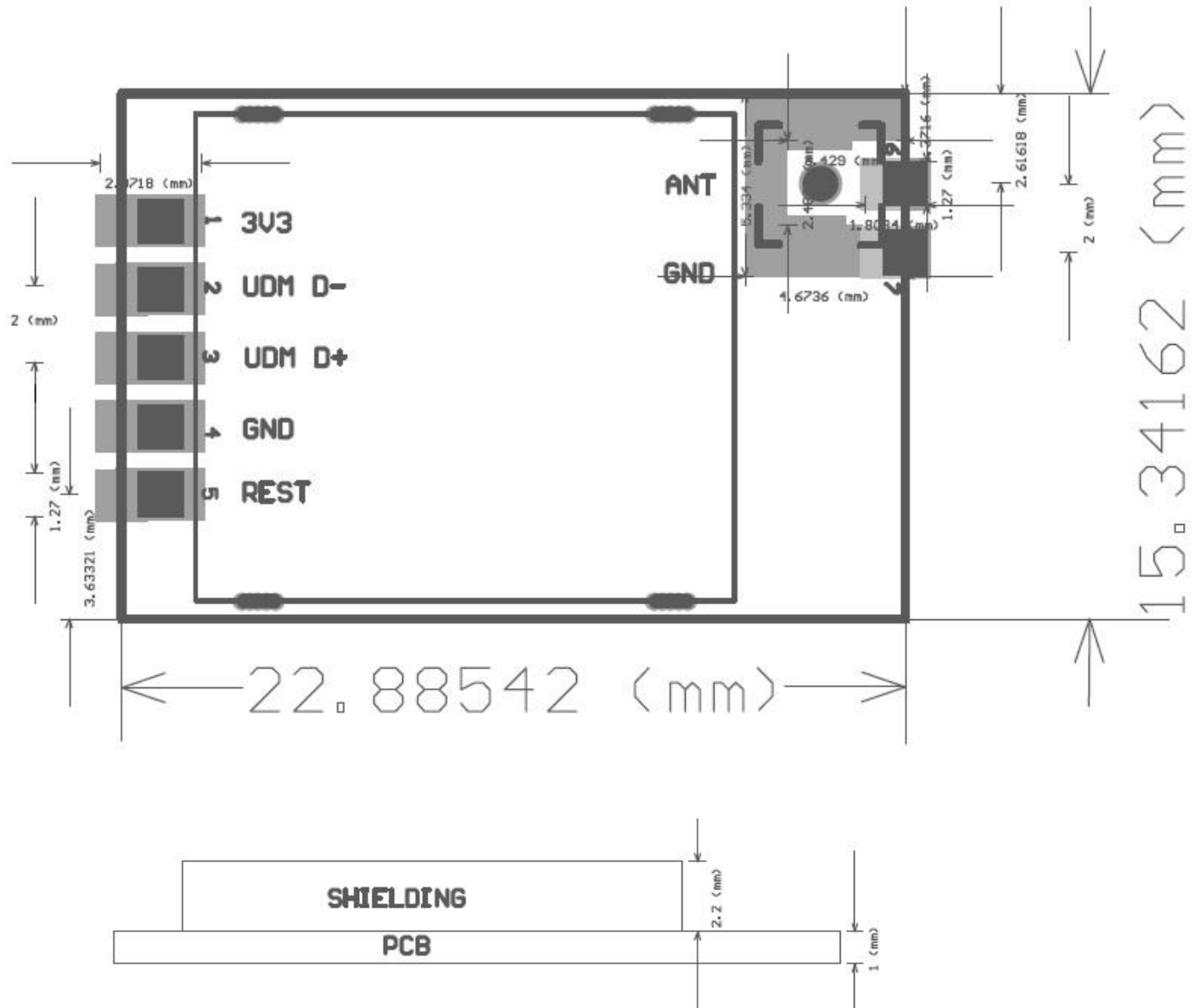
C: Specification

Parameter	Min.	Typ.	Max.	Unit
Electrical Section				
Supply Voltage	3	3.3	3.6	V
Crystal		40M		Hz
Transmitter Section				
802.11b (CCK) 11Mbps		18		dBm
802.11g (OFDM) 54Mbps		16		dBm
802.11n (HT20) @MCS7		15		dBm
802.11n (HT40) @MCS7		15		dBm
Receiver Section				
802.11b (CCK) 11Mbps		-85		dBm
802.11g (OFDM) 54Mbps		-70		dBm
802.11n (HT20) @MCS7		-69		dBm
802.11n (HT40) @MCS7		-65		dBm
Operation				
Operating Temperature	-10	~	+65	°C
Storage Temperature	-20	~	+85	°C

D: I-pex Dimension:



E: Pin Assignment and Dimension:



Federal Communication Commission Interference Statement

This device complies with Part 15 of the FCC Rules. Operation is subject to the following two conditions: (1) This device may not cause harmful interference, and (2) this device must accept any interference received, including interference that may cause undesired operation.

This equipment has been tested and found to comply with the limits for a Class B digital device, pursuant to Part 15 of the FCC Rules. These limits are designed to provide reasonable protection against harmful interference in a residential installation. This equipment generates, uses and can radiate radio frequency energy and, if not installed and used in accordance with the instructions, may cause harmful interference to radio communications. However, there is no guarantee that interference will not occur in a particular installation. If this equipment does cause harmful interference to radio or television reception, which can be determined by turning the equipment off and on, the user is encouraged to try to correct the interference by one of the following measures:

- Reorient or relocate the receiving antenna.
- Increase the separation between the equipment and receiver.
- Connect the equipment into an outlet on a circuit different from that to which the receiver is connected.
- Consult the dealer or an experienced radio/TV technician for help.

FCC Caution: Any changes or modifications not expressly approved by the party responsible for compliance could void the user's authority to operate this equipment.

This transmitter must not be co-located or operating in conjunction with any other antenna or transmitter.

Radiation Exposure Statement:

This equipment complies with FCC radiation exposure limits set forth for an uncontrolled environment. This equipment should be installed and operated with minimum distance 20cm between the radiator & your body.

This device is intended only for OEM integrators under the following conditions:

- 1) The antenna must be installed such that 20 cm is maintained between the antenna and users, and
- 2) The transmitter module may not be co-located with any other transmitter or antenna.
- 3) Module approval valid only when the module is installed in the tested host or compatible series of host

As long as 3 conditions above are met, further transmitter test will not be required. However, the OEM integrator is still responsible for testing their end-product for any additional compliance requirements required with this module installed

IMPORTANT NOTE: In the event that these conditions can not be met (for example certain laptop configurations or co-location with another transmitter), then the FCC authorization is no longer considered valid and the FCC ID can not be used on the final product. In these circumstances, the OEM integrator will be responsible for re-evaluating the end product (including the transmitter) and obtaining a separate FCC authorization.

End Product Labeling

This transmitter module is authorized only for use in device where the antenna may be installed such that 20 cm may be maintained between the antenna and users. The final end product must be labeled in a visible area with the following: "Contains FCC ID: O6L-WF7916". The grantee's FCC ID can be used only when all FCC compliance requirements are met.

Model No: WF7916

FCC ID: O6L-WF7916

Manual Information To the End User

The OEM integrator has to be aware not to provide information to the end user regarding how to install or remove this RF module in the user's manual of the end product which integrates this module.

The end user manual shall include all required regulatory information/warning as show in this manual.