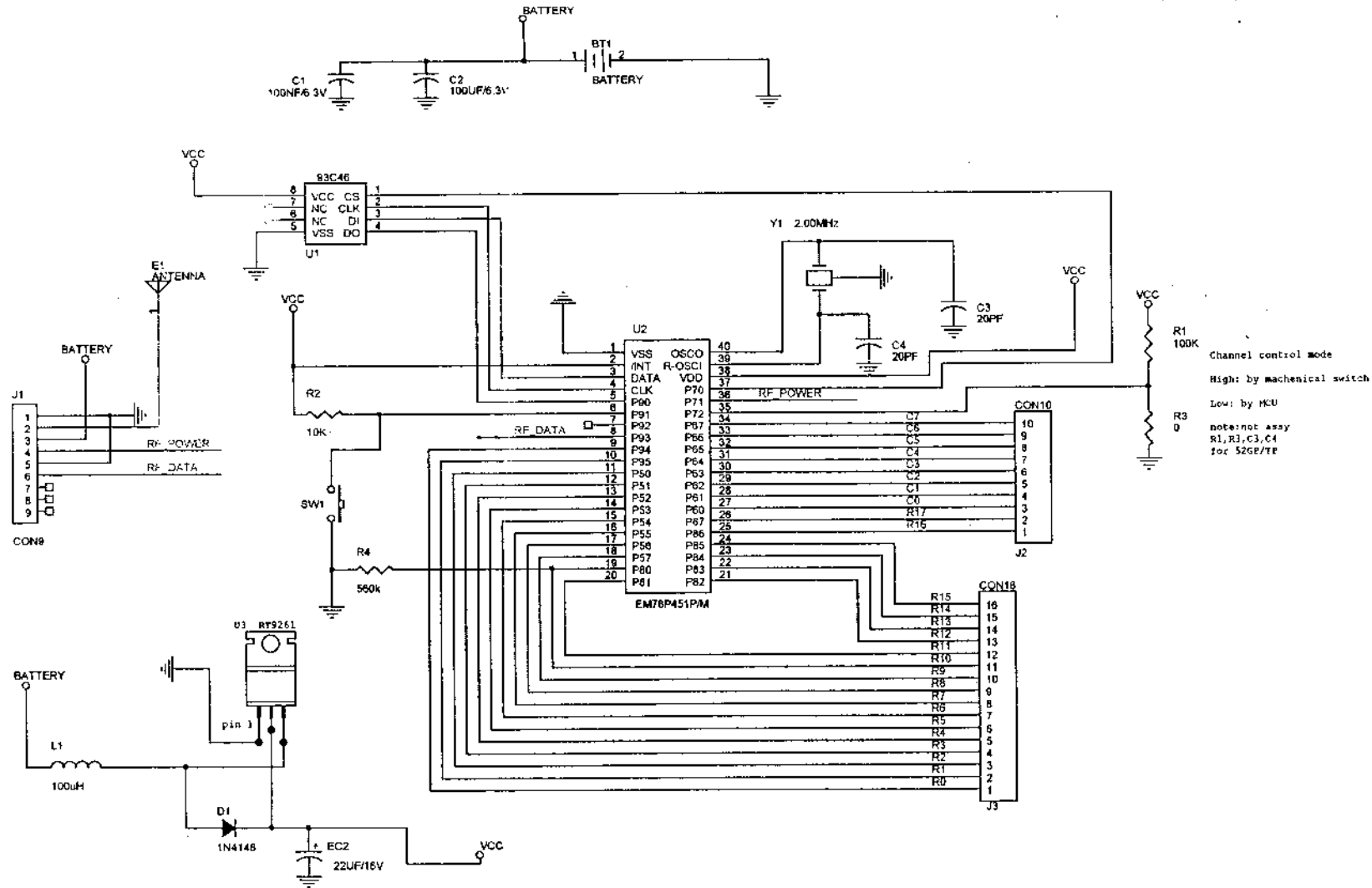
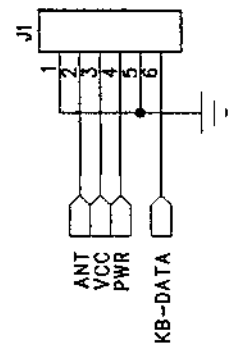
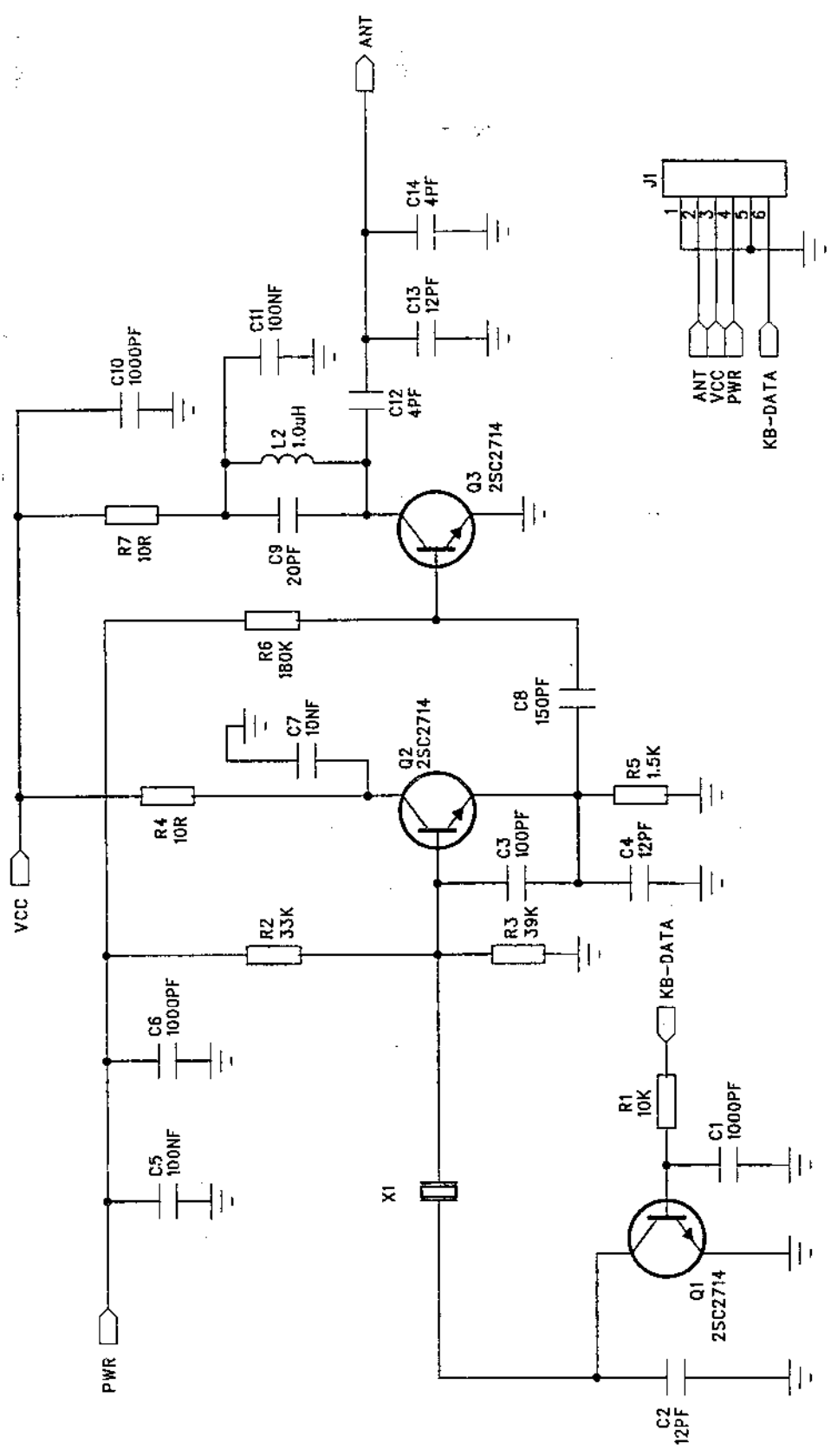


1. Model Name : RF11-GP-K, RF12-GP-K



Title		
27M 52GP1008		
Size	Document Number	Rev
Customer Doc		A
Date	Thursday, October 11, 2001	Sheet 1 of 1

6 5 4 3 2 1



RF11-GP-K. RF12-GP-K

COMPANY:

TITLE:	Wireless module TX Ver.55	DATE:	2001-09-24
WRITTEN:	CHECKED:	APPROVED:	DOCUMENT NO:
			REV: 5.5

D C B A