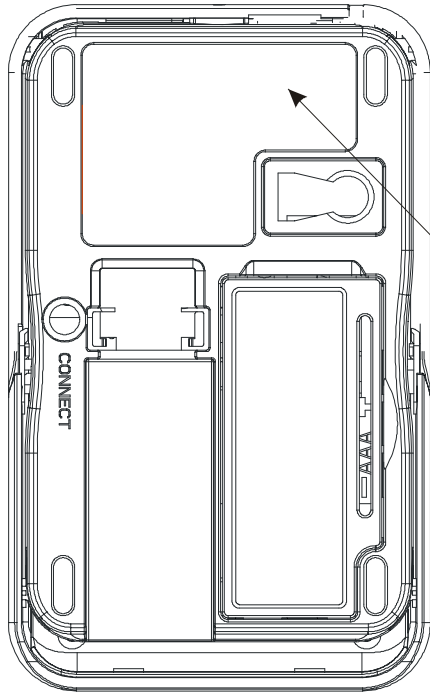


# N535 TX LABEL



# RX LABEL

