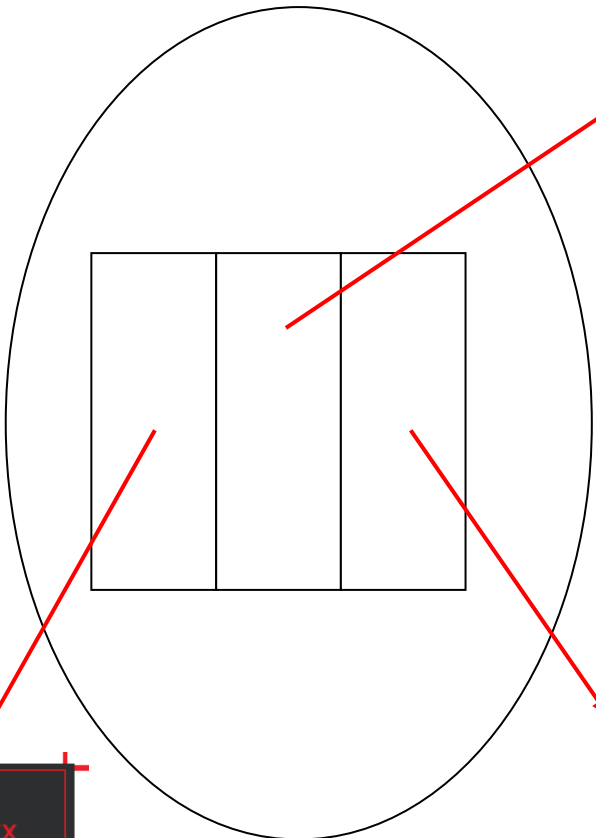

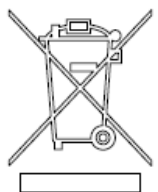





Label & Location
Back Side





 HP, HQ-TRE, 71025
 Boeblingen, Germany



 MSIP-CRI-hpk-HSA-D002M
 IC: 4356A-HSAD002M
 FCC ID:062-HSAD002M

 TA-2017/XXXX
 APPROVED


 201-XXXXXX
 XXXX-17-XXXX

xxx/SDPPI/2017
 2141






CIDF15000435

Mouse 滑鼠 / 鼠标
 Input 輸入/輸入: 3V=100mA
 Model 型號/型号: HSA-D002M
 Made in China 中國製造/中国制造
 CAN ICES-3 (B)/NMB-3 (B)
 CMIIT ID: XXXXXXXXXX
 IFT: XXXXXXXXX-XXX
 CNC ID: XX-99999





001
 LISTED
 I.T.E. ACCREDITED
 R3A304

This device complies with Part 15 of the FCC Rules. Operation is subject to the following two conditions: (1) This device may not cause harmful interference, and (2) this device must accept any interference received, including interference from authorized licensed operations.
 해당 무선설비는 혼용 장 전파혼선 가능성이 있음