

AN-N20-01
VivoCam Agent



MAC:XXXXXXXXXXXX



S/N:XXXXXXXXXXXX



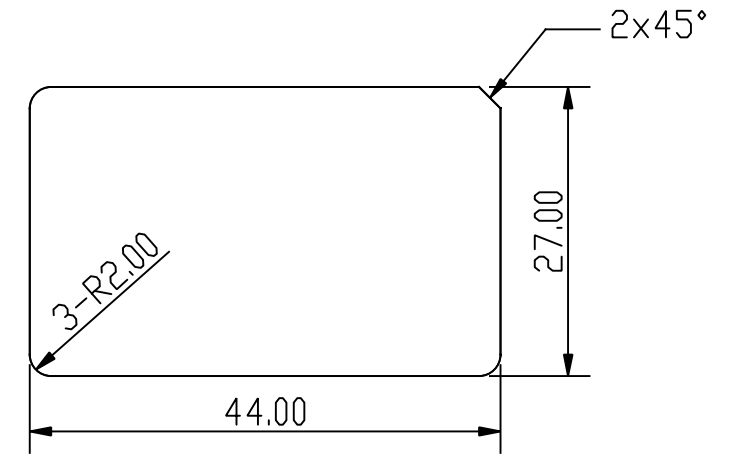
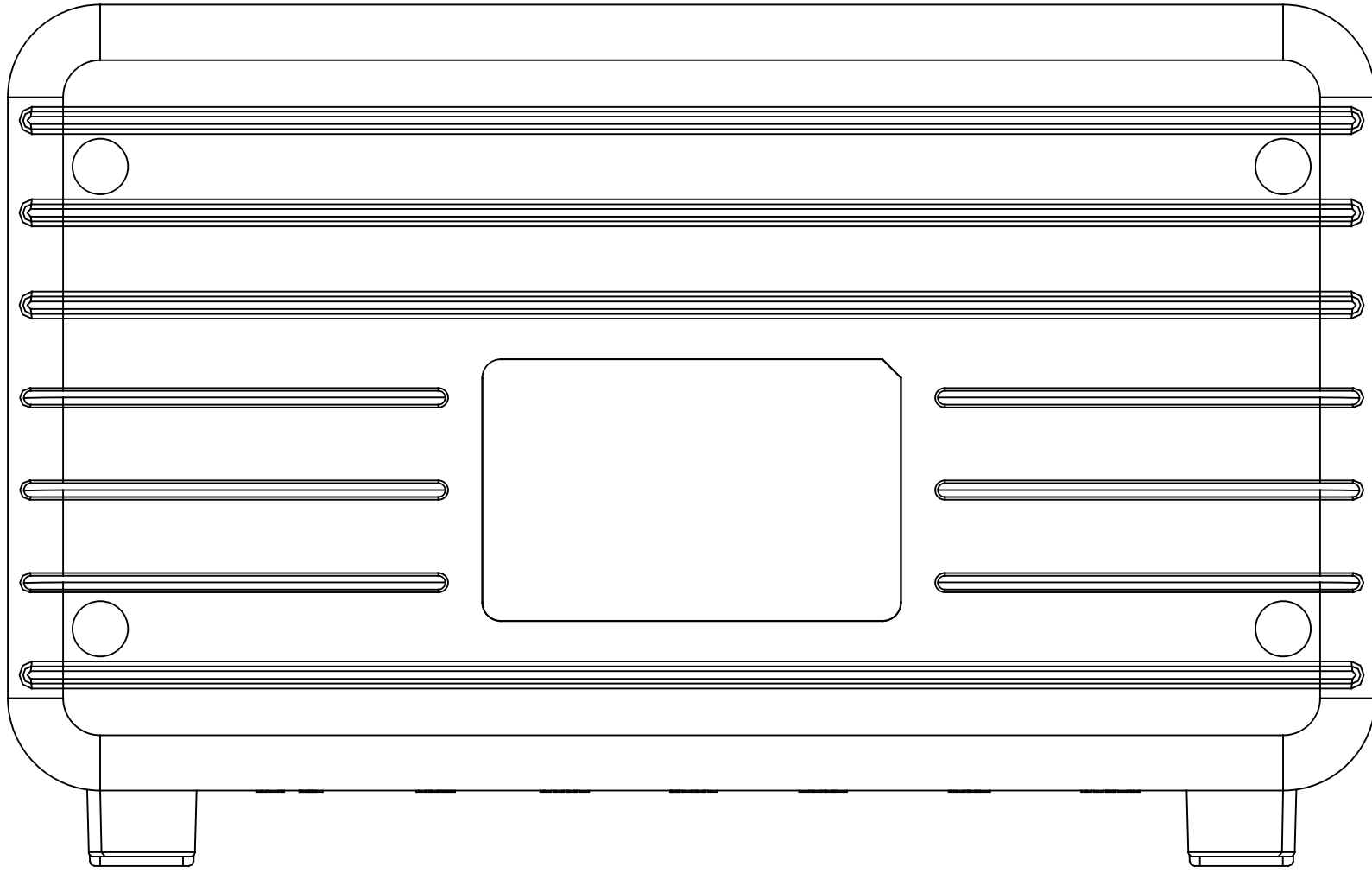
FCC ID:OSP-AN-N20-01

This device complies with Part 15 of the FCC Rules. Operation is subject to the following two conditions:

- (1) this device may not cause harmful interference, and
- (2) this device must accept any interference received, including interference that may cause undesired operation.

12V 1A

REVISIONS					
BLOCK	VERSION	SYMBOL	DESCRIPTION	REDEVISER	DATE



Tolerance	A	B	C	Tolerance	B	Date	2016/06/02
Dimension range	250.X → XXX	± 0.40	± 0.45	± 0.50	Unit	mm	SCALE 1/1
	200.X → 250	± 0.35	± 0.40	± 0.45	Usage	1	PAGE 1/1
	150.X → 200	± 0.30	± 0.35	± 0.40	Size	A4	PROJECTION ●
	100.X → 150	± 0.25	± 0.30	± 0.35	Material	TBD	
	50.X → 100	± 0.20	± 0.25	± 0.30	Treatment	TBD	
	25.X → 50	± 0.15	± 0.20	± 0.25	DESIGN	MIKE HUANG	CHECKED
	10.X → 25	± 0.10	± 0.15	± 0.20	DRAWING	MIKE HUANG	APPROVED
	0 → 10	± 0.05	± 0.10	± 0.15	Model	W235	REV X1
ANGLE	±1°	±3°	±5°				



DES	TBD
PN	TBD
Model	W235