

# **SAR Distribution Plots**

## **Appendix for the Test Report**

### **Dosimetric Assessment of the Portable Device FareGo MT60 from Scheidt & Bachmann GmbH**

(FCC ID O5KMT60 / IC: 8312A-MT60)

March 15, 2016

**MST GmbH**  
Carl-Friedrich-Gauß-Str. 2 - 4  
47475 Kamp-Lintfort  
Germany

**Customer**  
Scheidt & Bachmann GmbH  
Breite Straße 132  
41238 Mönchengladbach  
Germany

The test results only relate to the items tested.

This report shall not be reproduced except in full without the written approval of the testing laboratory.

# 1 SAR Distribution Plots

## 1.1 SAR Distribution Plots GPRS 850

Test Laboratory: IMST GmbH, DASY Yellow (II); File Name:  
[MT60\\_608\\_y\\_afm\\_3TX\\_left\\_cover\\_0mm.da4](#)

DUT: S&B; Type: FareGo Move MT60; Serial: 357784044015608  
 Program Name: GPRS 850 (3TX)

Communication System: GPRS 850; Frequency: 836.6 MHz; Duty Cycle: 1:2.66  
 Medium parameters used:  $f = 836.6$  MHz;  $\sigma = 0.98$  mho/m;  $\epsilon_r = 53.4$ ;  $\rho = 1000$  kg/m<sup>3</sup>  
 Phantom section: Flat Section

DASY4 Configuration:

- Probe: ET3DV6R - SN1669; ConvF(5.99, 5.99, 5.99); Calibrated: 2/19/2015
- Sensor-Surface: 4mm (Mechanical Surface Detection)
- Electronics: DAE4 Sn631; Calibrated: 9/16/2015
- Phantom: SAM Sugar 1341; Type: QD 000 P40 CB; Serial: TP-1341
- Measurement SW: DASY4, V4.7 Build 80; Postprocessing SW: SEMCAD, V1.8 Build 186

**Body/Area Scan (8x11x1):** Measurement grid: dx=15mm, dy=15mm

Maximum value of SAR (measured) = 0.324 mW/g

**Body/Zoom Scan (7x7x7)/Cube 0:** Measurement grid: dx=5mm, dy=5mm, dz=5mm

Reference Value = 16.1 V/m; Power Drift = -0.199 dB

Peak SAR (extrapolated) = 0.464 W/kg

**SAR(1 g) = 0.333 mW/g; SAR(10 g) = 0.224 mW/g**

Maximum value of SAR (measured) = 0.360 mW/g

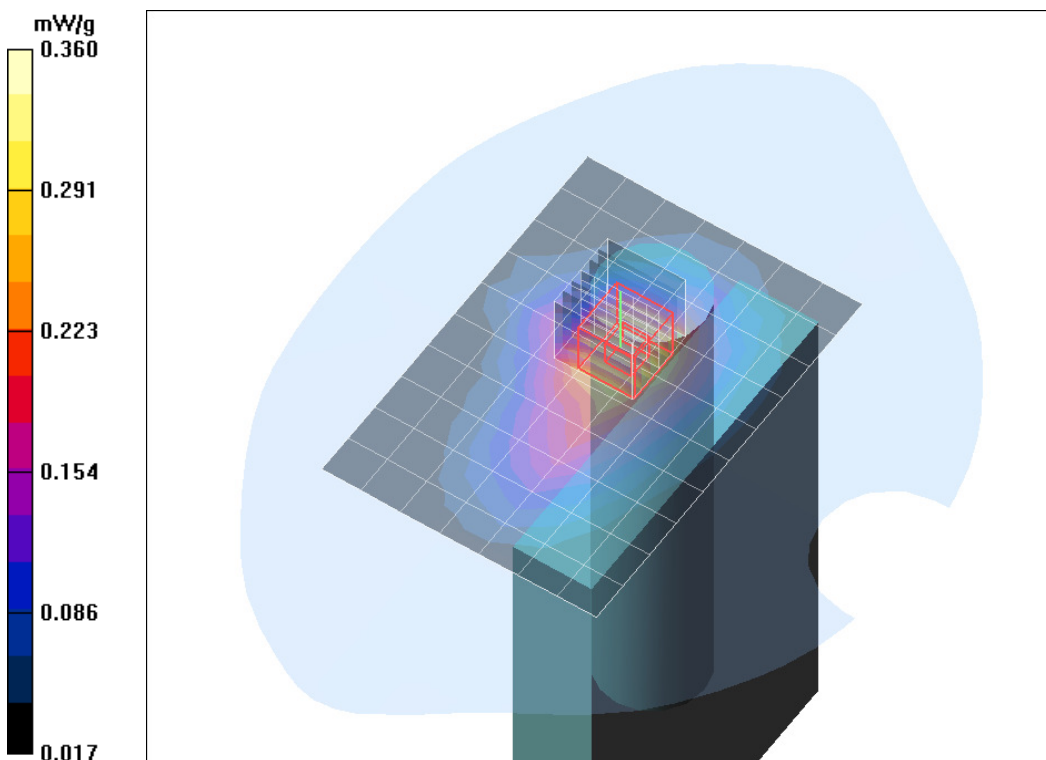


Fig. 1: SAR distribution for GPRS 850 (3TX), channel 190, left side, 0 mm.

**Test Laboratory: IMST GmbH, DASY Yellow (II); File Name:**  
[MT60\\_608\\_y\\_afm\\_3TX\\_top\\_cover\\_0mm.da4](#)

**DUT: S&B; Type: FareGo Move MT60; Serial: 357784044015608**  
**Program Name: GPRS 850 (3TX)**

Communication System: GPRS 850; Frequency: 836.6 MHz; Duty Cycle: 1:2.66  
 Medium parameters used:  $f = 836.6$  MHz;  $\sigma = 0.98$  mho/m;  $\epsilon_r = 53.4$ ;  $\rho = 1000$  kg/m<sup>3</sup>  
 Phantom section: Flat Section

DASY4 Configuration:

- Probe: ET3DV6R - SN1669; ConvF(5.99, 5.99, 5.99); Calibrated: 2/19/2015
- Sensor-Surface: 4mm (Mechanical Surface Detection)
- Electronics: DAE4 Sn631; Calibrated: 9/16/2015
- Phantom: SAM Sugar 1341; Type: QD 000 P40 CB; Serial: TP-1341
- Measurement SW: DASY4, V4.7 Build 80; Postprocessing SW: SEMCAD, V1.8 Build 186

**Body/Area Scan (8x10x1):** Measurement grid: dx=15mm, dy=15mm

Maximum value of SAR (measured) = 0.507 mW/g

**Body/Zoom Scan (7x7x7)/Cube 0:** Measurement grid: dx=5mm, dy=5mm, dz=5mm

Reference Value = 14.4 V/m; Power Drift = 0.067 dB

Peak SAR (extrapolated) = 0.715 W/kg

**SAR(1 g) = 0.474 mW/g; SAR(10 g) = 0.305 mW/g**

Maximum value of SAR (measured) = 0.514 mW/g

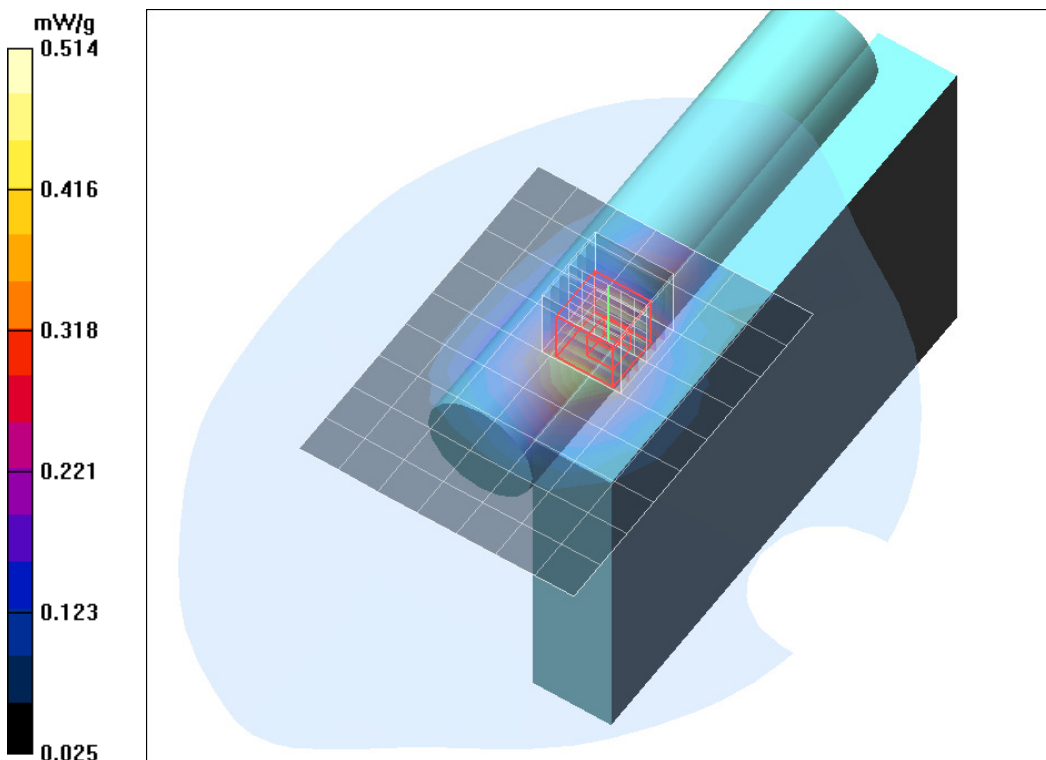


Fig. 2: SAR distribution for GPRS 850 (3TX), channel 190, top side, 0 mm.

Test Laboratory: IMST GmbH, DASY Yellow (II); File Name:  
[MT60\\_608\\_y\\_afm\\_3TX\\_bottom\\_cover\\_0mm.da4](#)

DUT: S&B; Type: FareGo Move MT60; Serial: 357784044015608  
Program Name: GPRS 850 (3 TX)

Communication System: GPRS 850; Frequency: 836.6 MHz; Duty Cycle: 1:2.66  
Medium parameters used:  $f = 836.6$  MHz;  $\sigma = 0.98$  mho/m;  $\epsilon_r = 53.4$ ;  $\rho = 1000$  kg/m<sup>3</sup>  
Phantom section: Flat Section

DASY4 Configuration:

- Probe: ET3DV6R - SN1669; ConvF(5.99, 5.99, 5.99); Calibrated: 2/19/2015
- Sensor-Surface: 4mm (Mechanical Surface Detection)
- Electronics: DAE4 Sn631; Calibrated: 9/16/2015
- Phantom: SAM Sugar 1341; Type: QD 000 P40 CB; Serial: TP-1341
- Measurement SW: DASY4, V4.7 Build 80; Postprocessing SW: SEMCAD, V1.8 Build 186

**Body/Area Scan (9x11x1):** Measurement grid: dx=15mm, dy=15mm

Maximum value of SAR (measured) = 0.087 mW/g

**Body/Zoom Scan (7x7x7)/Cube 0:** Measurement grid: dx=5mm, dy=5mm, dz=5mm

Reference Value = 6.15 V/m; Power Drift = -0.035 dB

Peak SAR (extrapolated) = 0.240 W/kg

**SAR(1 g) = 0.088 mW/g; SAR(10 g) = 0.045 mW/g**

Maximum value of SAR (measured) = 0.099 mW/g

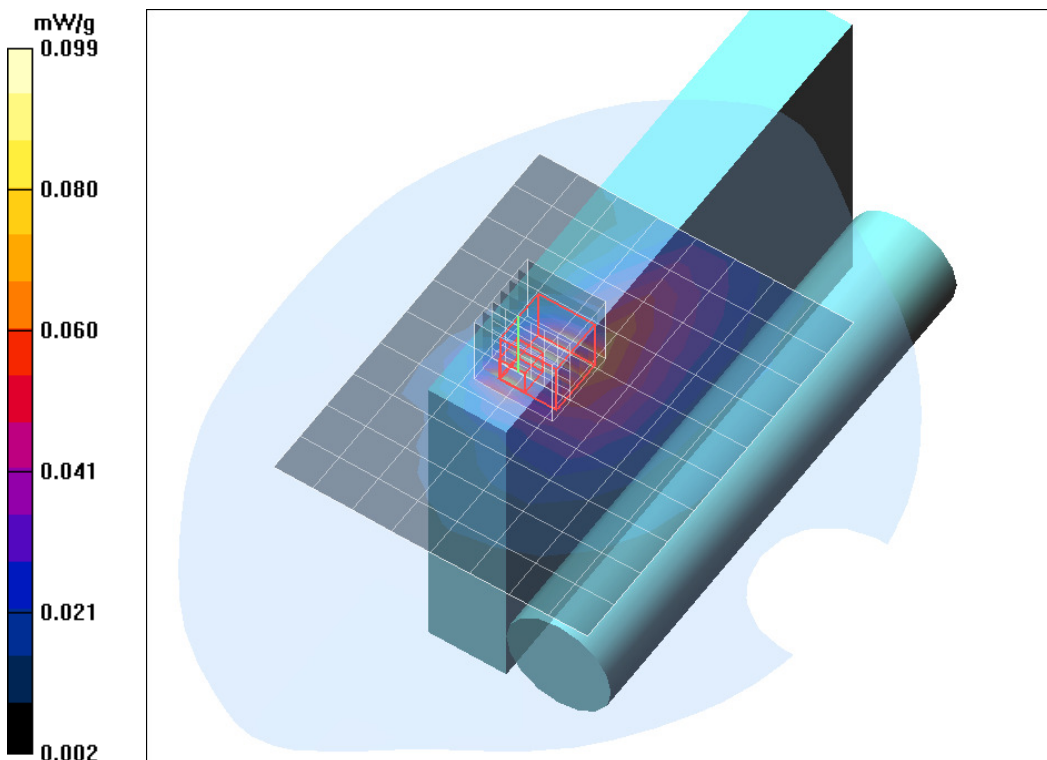


Fig. 3: SAR distribution for GPRS 850 (3TX), channel 190, bottom side, 0 mm.

Test Laboratory: IMST GmbH, DASY Yellow (II); File Name:

[MT60\\_608\\_y\\_afm\\_3TX\\_back\\_cover\\_0mm.da4](#)

DUT: S&B; Type: FareGo Move MT60; Serial: 357784044015608

Program Name: GPRS 850 (3 TX)

Communication System: GPRS 850; Frequency: 836.6 MHz; Duty Cycle: 1:2.66

Medium parameters used:  $f = 836.6$  MHz;  $\sigma = 0.98$  mho/m;  $\epsilon_r = 53.4$ ;  $\rho = 1000$  kg/m<sup>3</sup>

Phantom section: Flat Section

DASY4 Configuration:

- Probe: ET3DV6R - SN1669; ConvF(5.99, 5.99, 5.99); Calibrated: 2/19/2015

- Sensor-Surface: 4mm (Mechanical Surface Detection)

- Electronics: DAE4 Sn631; Calibrated: 9/16/2015

- Phantom: SAM Sugar 1341; Type: QD 000 P40 CB; Serial: TP-1341

- Measurement SW: DASY4, V4.7 Build 80; Postprocessing SW: SEMCAD, V1.8 Build 186

**Body Worn/Area Scan (12x12x1):** Measurement grid: dx=15mm, dy=15mm

Maximum value of SAR (measured) = 0.325 mW/g

**Body Worn/Zoom Scan (7x7x7)/Cube 0:** Measurement grid: dx=5mm, dy=5mm, dz=5mm

Reference Value = 13.5 V/m; Power Drift = -0.163 dB

Peak SAR (extrapolated) = 0.650 W/kg

**SAR(1 g) = 0.288 mW/g; SAR(10 g) = 0.157 mW/g**

Maximum value of SAR (measured) = 0.312 mW/g

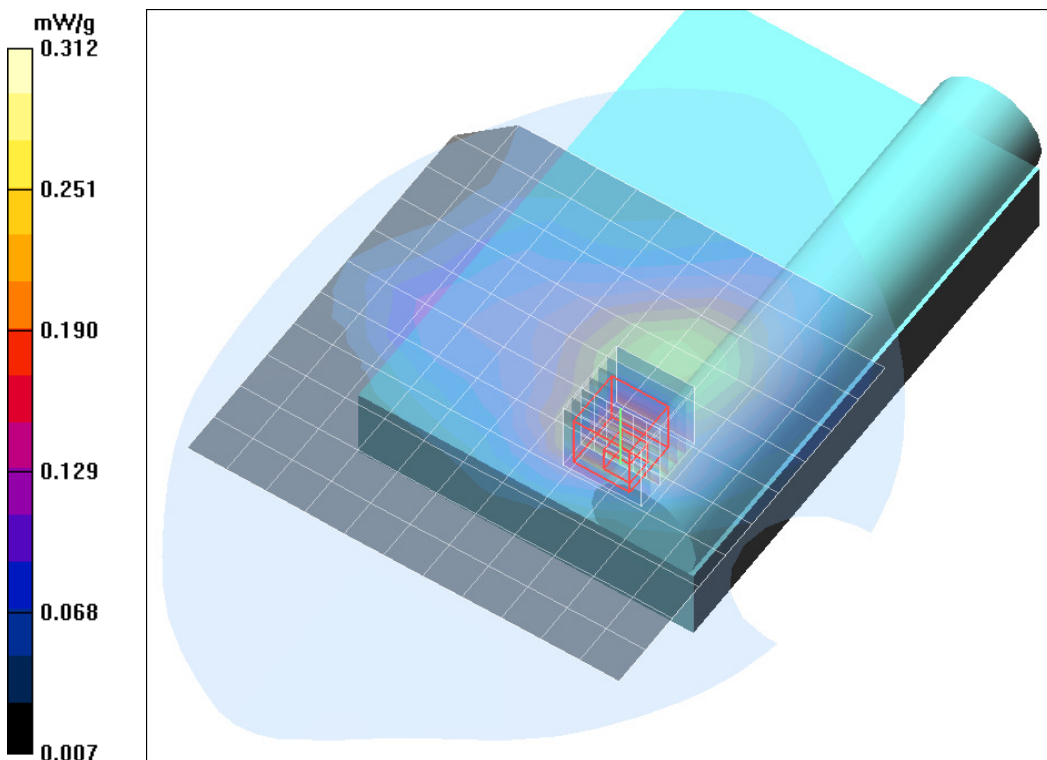


Fig. 4: SAR distribution for GPRS 850 (3TX), channel 190, bak side, 0 mm.

Test Laboratory: IMST GmbH, DASY Yellow (II); File Name:

[MT60\\_608\\_y\\_afl\\_3TX\\_top\\_cover\\_0mm.da4](#)

DUT: S&B; Type: FareGo Move MT60; Serial: 357784044015608

Program Name: GPRS 850 (3TX)

Communication System: GPRS 850; Frequency: 824.2 MHz; Duty Cycle: 1:2.66

Medium parameters used:  $f = 824.2$  MHz;  $\sigma = 0.97$  mho/m;  $\epsilon_r = 53.5$ ;  $\rho = 1000$  kg/m<sup>3</sup>

Phantom section: Flat Section

DASY4 Configuration:

- Probe: ET3DV6R - SN1669; ConvF(5.99, 5.99, 5.99); Calibrated: 2/19/2015

- Sensor-Surface: 4mm (Mechanical Surface Detection)

- Electronics: DAE4 Sn631; Calibrated: 9/16/2015

- Phantom: SAM Sugar 1341; Type: QD 000 P40 CB; Serial: TP-1341

- Measurement SW: DASY4, V4.7 Build 80; Postprocessing SW: SEMCAD, V1.8 Build 186

**Body/Area Scan (8x10x1):** Measurement grid: dx=15mm, dy=15mm

Maximum value of SAR (measured) = 0.450 mW/g

**Body/Zoom Scan (7x7x7)/Cube 0:** Measurement grid: dx=5mm, dy=5mm, dz=5mm

Reference Value = 11.8 V/m; Power Drift = -0.050 dB

Peak SAR (extrapolated) = 0.633 W/kg

**SAR(1 g) = 0.429 mW/g; SAR(10 g) = 0.280 mW/g**

Maximum value of SAR (measured) = 0.461 mW/g

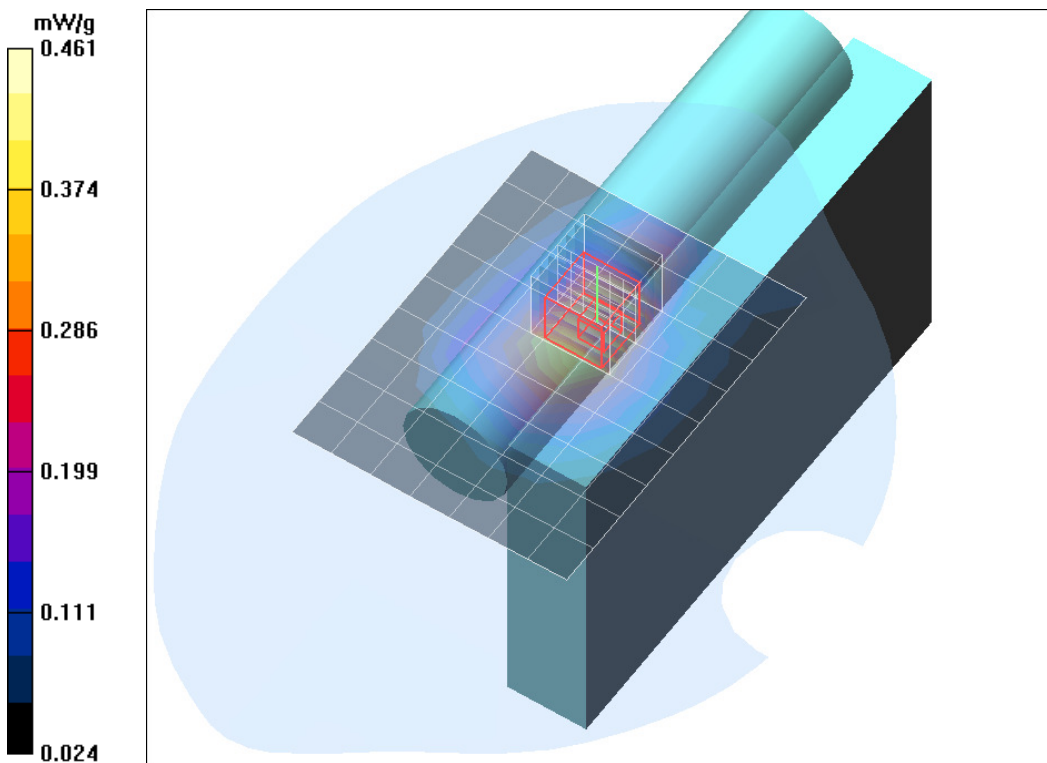


Fig. 5: SAR distribution for GPRS 850 (3TX), channel 128, top side, 0 mm.

Test Laboratory: IMST GmbH, DASY Yellow (II); File Name:

[MT60\\_608\\_y\\_afh\\_3TX\\_top\\_cover\\_0mm.da4](#)

DUT: S&B; Type: FareGo Move MT60; Serial: 357784044015608

Program Name: GPRS 850 (3TX)

Communication System: GPRS 850; Frequency: 848.8 MHz; Duty Cycle: 1:2.66

Medium parameters used:  $f = 848.8$  MHz;  $\sigma = 1$  mho/m;  $\epsilon_r = 53.2$ ;  $\rho = 1000$  kg/m<sup>3</sup>

Phantom section: Flat Section

DASY4 Configuration:

- Probe: ET3DV6R - SN1669; ConvF(5.99, 5.99, 5.99); Calibrated: 2/19/2015

- Sensor-Surface: 4mm (Mechanical Surface Detection)

- Electronics: DAE4 Sn631; Calibrated: 9/16/2015

- Phantom: SAM Sugar 1341; Type: QD 000 P40 CB; Serial: TP-1341

- Measurement SW: DASY4, V4.7 Build 80; Postprocessing SW: SEMCAD, V1.8 Build 186

**Body/Area Scan (8x10x1):** Measurement grid: dx=15mm, dy=15mm

Maximum value of SAR (measured) = 0.475 mW/g

**Body/Zoom Scan (7x7x7)/Cube 0:** Measurement grid: dx=5mm, dy=5mm, dz=5mm

Reference Value = 9.87 V/m; Power Drift = 0.150 dB

Peak SAR (extrapolated) = 0.680 W/kg

**SAR(1 g) = 0.452 mW/g; SAR(10 g) = 0.292 mW/g**

Maximum value of SAR (measured) = 0.487 mW/g

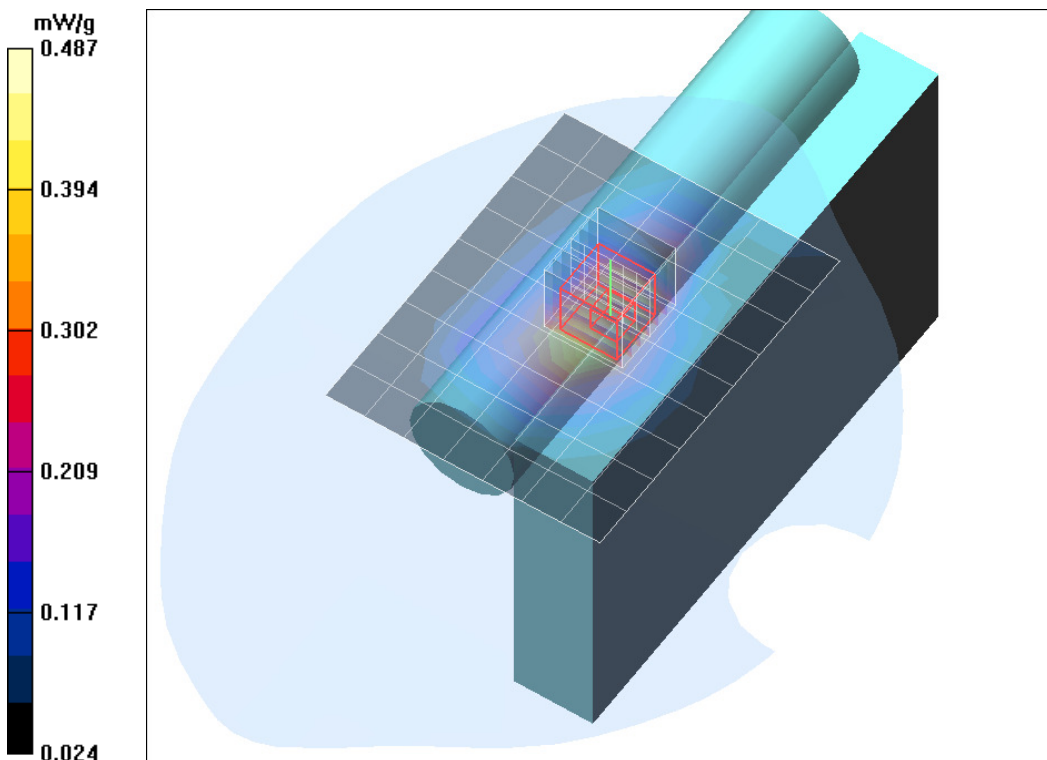


Fig. 6: SAR distribution for GPRS 850 (3TX), channel 251, top side, 0 mm.

## 1.2 SAR Distribution Plots GPRS 1900

Test Laboratory: IMST GmbH, DASY Yellow (II); File Name:  
[MT60\\_608\\_y\\_pfm\\_3TX\\_left\\_cover\\_0mm.da4](#)

DUT: S&B; Type: FareGo Move MT60; Serial: 357784044015608  
 Program Name: GPRS 1900 (3TX)

Communication System: GPRS 1900; Frequency: 1880 MHz; Duty Cycle: 1:2.66  
 Medium parameters used:  $f = 1880$  MHz;  $\sigma = 1.51$  mho/m;  $\epsilon_r = 52.6$ ;  $\rho = 1000$  kg/m<sup>3</sup>  
 Phantom section: Flat Section

DASY4 Configuration:

- Probe: ET3DV6R - SN1669; ConvF(4.65, 4.65, 4.65); Calibrated: 2/19/2015
- Sensor-Surface: 4mm (Mechanical Surface Detection)
- Electronics: DAE3 Sn335; Calibrated: 2/19/2015
- Phantom: SAM 1340; Type: QD 000 P40 CB; Serial: TP-1340
- Measurement SW: DASY4, V4.7 Build 80; Postprocessing SW: SEMCAD, V1.8 Build 186

**Body/Area Scan (7x12x1):** Measurement grid: dx=15mm, dy=15mm

Maximum value of SAR (measured) = 0.596 mW/g

**Body/Zoom Scan (7x7x7)/Cube 0:** Measurement grid: dx=5mm, dy=5mm, dz=5mm

Reference Value = 18.5 V/m; Power Drift = 0.033 dB

Peak SAR (extrapolated) = 0.849 W/kg

**SAR(1 g) = 0.570 mW/g; SAR(10 g) = 0.352 mW/g**

Maximum value of SAR (measured) = 0.618 mW/g

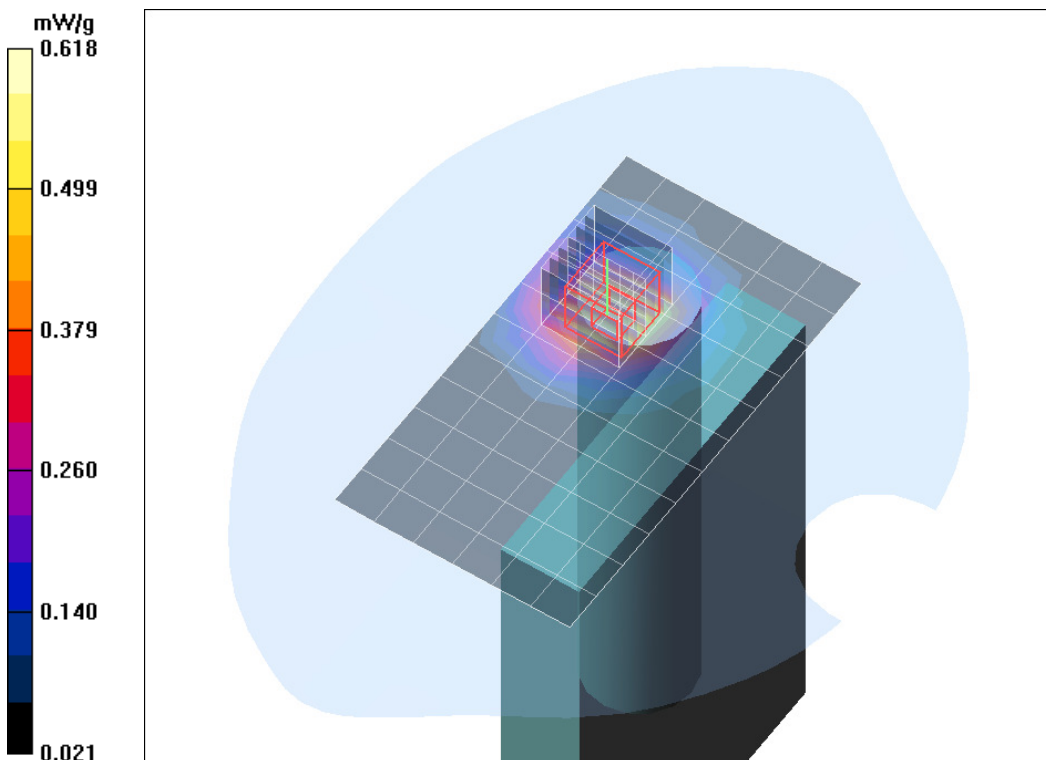


Fig. 7: SAR distribution for GPRS 1900 (3TX), channel 661, left side, 0 mm.



Test Laboratory: IMST GmbH, DASY Yellow (II); File Name:

[MT60\\_608\\_y\\_pfm\\_3TX\\_top\\_cover\\_0mm.da4](#)

DUT: S&B; Type: FareGo Move MT60; Serial: 357784044015608  
Program Name: GPRS 1900 (3TX)

Communication System: GPRS 1900; Frequency: 1880 MHz; Duty Cycle: 1:2.66  
Medium parameters used:  $f = 1880$  MHz;  $\sigma = 1.51$  mho/m;  $\epsilon_r = 52.6$ ;  $\rho = 1000$  kg/m<sup>3</sup>  
Phantom section: Flat Section

DASY4 Configuration:

- Probe: ET3DV6R - SN1669; ConvF(4.65, 4.65, 4.65); Calibrated: 2/19/2015
- Sensor-Surface: 4mm (Mechanical Surface Detection)
- Electronics: DAE3 Sn335; Calibrated: 2/19/2015
- Phantom: SAM 1340; Type: QD 000 P40 CB; Serial: TP-1340
- Measurement SW: DASY4, V4.7 Build 80; Postprocessing SW: SEMCAD, V1.8 Build 186

**Body/Area Scan (8x10x1):** Measurement grid: dx=15mm, dy=15mm

Maximum value of SAR (measured) = 0.240 mW/g

**Body/Zoom Scan (7x7x7)/Cube 0:** Measurement grid: dx=5mm, dy=5mm, dz=5mm

Reference Value = 6.93 V/m; Power Drift = 0.186 dB

Peak SAR (extrapolated) = 0.333 W/kg

**SAR(1 g) = 0.228 mW/g; SAR(10 g) = 0.145 mW/g**

Maximum value of SAR (measured) = 0.249 mW/g

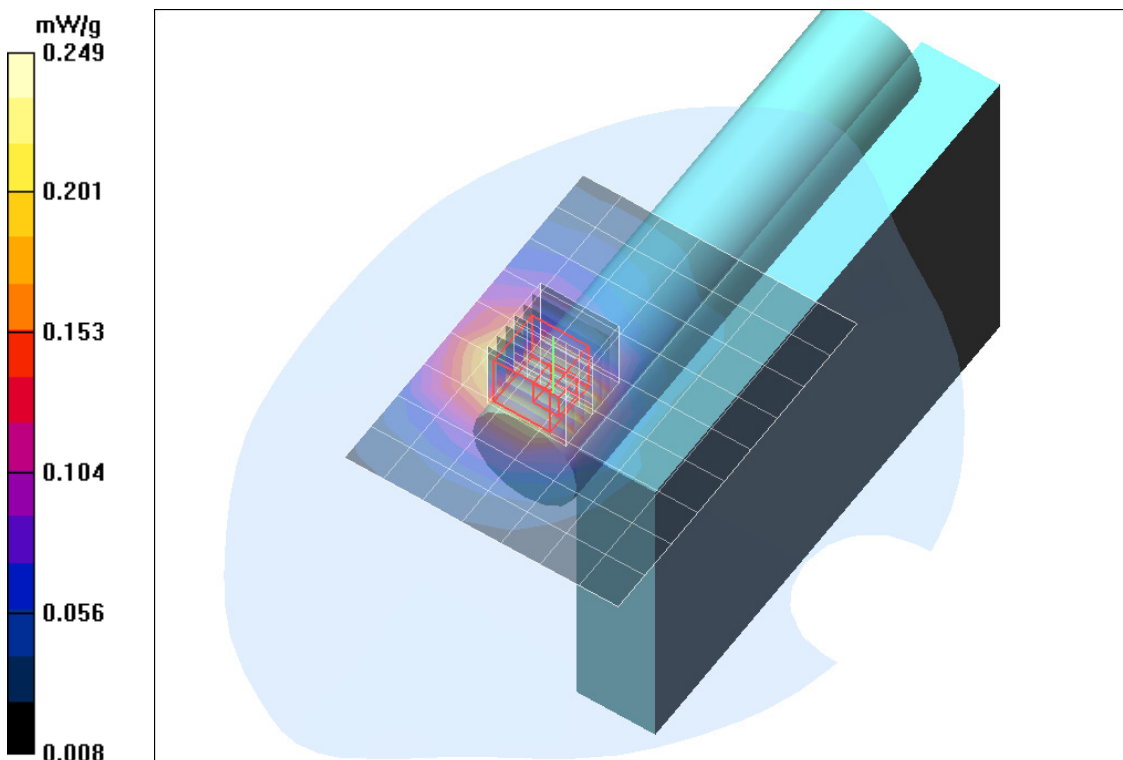


Fig. 8: SAR distribution for GPRS 1900 (3TX), channel 661, top side, 0 mm.

Test Laboratory: IMST GmbH, DASY Yellow (II); File Name:

[MT60\\_608\\_y\\_pfm\\_3TX\\_bottom\\_cover\\_0mm.da4](#)

DUT: S&B; Type: FareGo Move MT60; Serial: 357784044015608

Program Name: GPRS 1900 (3 TX)

Communication System: GPRS 1900; Frequency: 1880 MHz; Duty Cycle: 1:2.66

Medium parameters used:  $f = 1880$  MHz;  $\sigma = 1.51$  mho/m;  $\epsilon_r = 52.6$ ;  $\rho = 1000$  kg/m<sup>3</sup>

Phantom section: Flat Section

DASY4 Configuration:

- Probe: ET3DV6R - SN1669; ConvF(4.65, 4.65, 4.65); Calibrated: 2/19/2015

- Sensor-Surface: 4mm (Mechanical Surface Detection)

- Electronics: DAE3 Sn335; Calibrated: 2/19/2015

- Phantom: SAM 1340; Type: QD 000 P40 CB; Serial: TP-1340

- Measurement SW: DASY4, V4.7 Build 80; Postprocessing SW: SEMCAD, V1.8 Build 186

**Body/Area Scan (9x11x1):** Measurement grid: dx=15mm, dy=15mm

Maximum value of SAR (measured) = 0.066 mW/g

**Body/Zoom Scan (7x7x7)/Cube 0:** Measurement grid: dx=5mm, dy=5mm, dz=5mm

Reference Value = 4.83 V/m; Power Drift = 0.001 dB

Peak SAR (extrapolated) = 0.096 W/kg

**SAR(1 g) = 0.063 mW/g; SAR(10 g) = 0.038 mW/g**

Maximum value of SAR (measured) = 0.068 mW/g

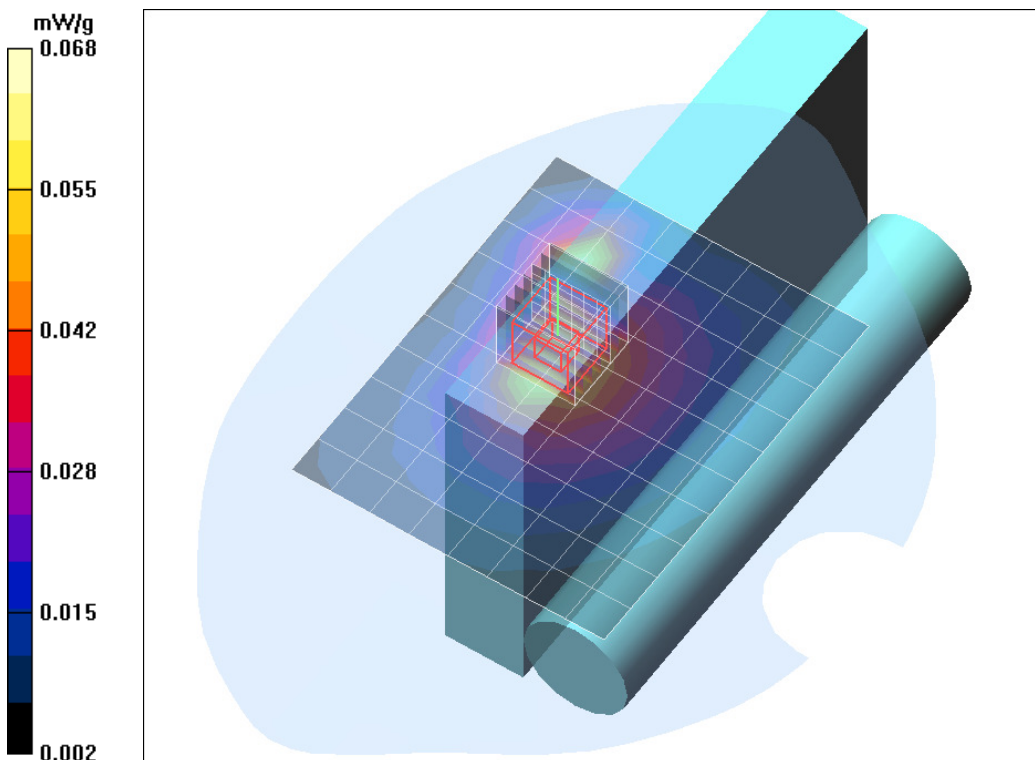


Fig. 9: SAR distribution for GPRS 1900 (3TX), channel 661, bottom side, 0 mm.

Test Laboratory: IMST GmbH, DASY Yellow (II); File Name:

[MT60\\_608\\_y\\_pfm\\_3TX\\_back\\_cover\\_0mm.da4](#)

DUT: S&B; Type: FareGo Move MT60; Serial: 357784044015608

Program Name: GPRS 1900 (3 TX)

Communication System: GPRS 1900; Frequency: 1880 MHz; Duty Cycle: 1:2.66

Medium parameters used:  $f = 1880$  MHz;  $\sigma = 1.51$  mho/m;  $\epsilon_r = 52.6$ ;  $\rho = 1000$  kg/m<sup>3</sup>

Phantom section: Flat Section

DASY4 Configuration:

- Probe: ET3DV6R - SN1669; ConvF(4.65, 4.65, 4.65); Calibrated: 2/19/2015

- Sensor-Surface: 4mm (Mechanical Surface Detection)

- Electronics: DAE3 Sn335; Calibrated: 2/19/2015

- Phantom: SAM 1340; Type: QD 000 P40 CB; Serial: TP-1340

- Measurement SW: DASY4, V4.7 Build 80; Postprocessing SW: SEMCAD, V1.8 Build 186

**Body Worn/Area Scan (12x12x1):** Measurement grid: dx=15mm, dy=15mm

Maximum value of SAR (measured) = 0.145 mW/g

**Body Worn/Zoom Scan (7x7x7)/Cube 0:** Measurement grid: dx=5mm, dy=5mm, dz=5mm

Reference Value = 8.89 V/m; Power Drift = -0.038 dB

Peak SAR (extrapolated) = 0.304 W/kg

**SAR(1 g) = 0.152 mW/g; SAR(10 g) = 0.085 mW/g**

Maximum value of SAR (measured) = 0.173 mW/g

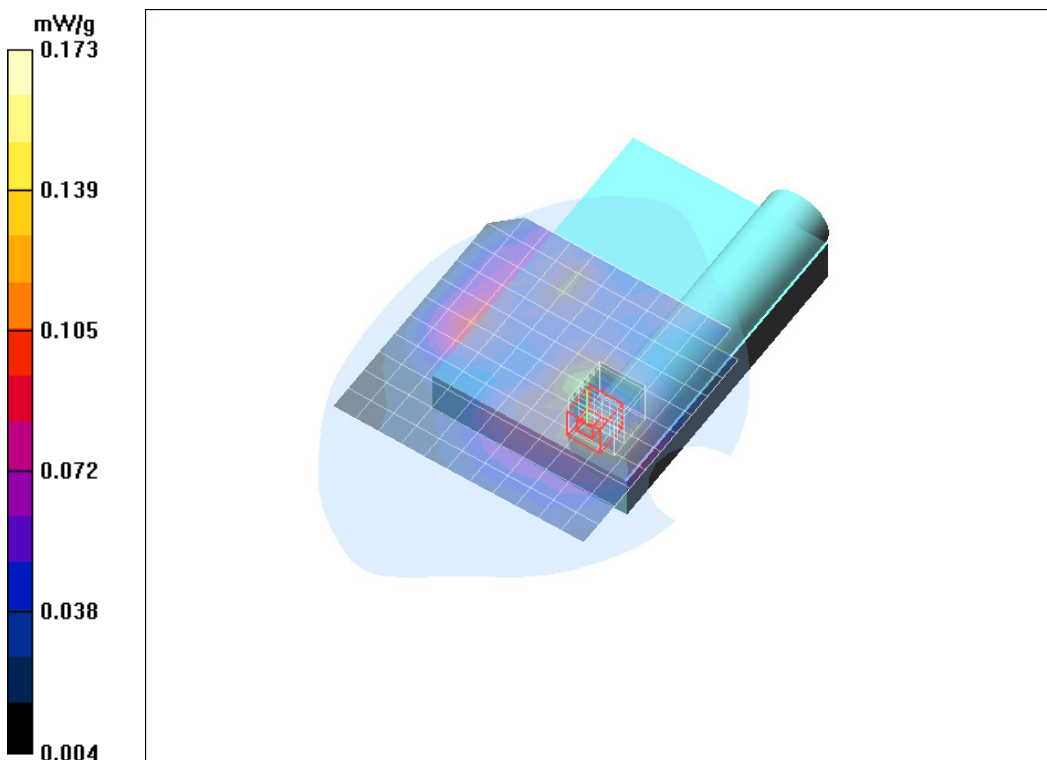


Fig. 10: SAR distribution for GPRS 1900 (3TX), channel 661, back side, 0 mm.

Test Laboratory: IMST GmbH, DASY Yellow (II); File Name:

[MT60\\_608\\_y\\_pfl\\_3TX\\_left\\_cover\\_0mm.da4](#)

DUT: S&B; Type: FareGo Move MT60; Serial: 357784044015608

Program Name: GPRS 1900 (3TX)

Communication System: GPRS 1900; Frequency: 1850.2 MHz; Duty Cycle: 1:2.66

Medium parameters used:  $f = 1850.2$  MHz;  $\sigma = 1.46$  mho/m;  $\epsilon_r = 52.7$ ;  $\rho = 1000$  kg/m<sup>3</sup>

Phantom section: Flat Section

DASY4 Configuration:

- Probe: ET3DV6R - SN1669; ConvF(4.65, 4.65, 4.65); Calibrated: 2/19/2015

- Sensor-Surface: 4mm (Mechanical Surface Detection)

- Electronics: DAE3 Sn335; Calibrated: 2/19/2015

- Phantom: SAM 1340; Type: QD 000 P40 CB; Serial: TP-1340

- Measurement SW: DASY4, V4.7 Build 80; Postprocessing SW: SEMCAD, V1.8 Build 186

**Body/Area Scan (8x7x1):** Measurement grid: dx=15mm, dy=15mm

Maximum value of SAR (measured) = 0.667 mW/g

**Body/Zoom Scan (7x7x7)/Cube 0:** Measurement grid: dx=5mm, dy=5mm, dz=5mm

Reference Value = 19.1 V/m; Power Drift = -0.009 dB

Peak SAR (extrapolated) = 0.904 W/kg

**SAR(1 g) = 0.617 mW/g; SAR(10 g) = 0.388 mW/g**

Maximum value of SAR (measured) = 0.663 mW/g

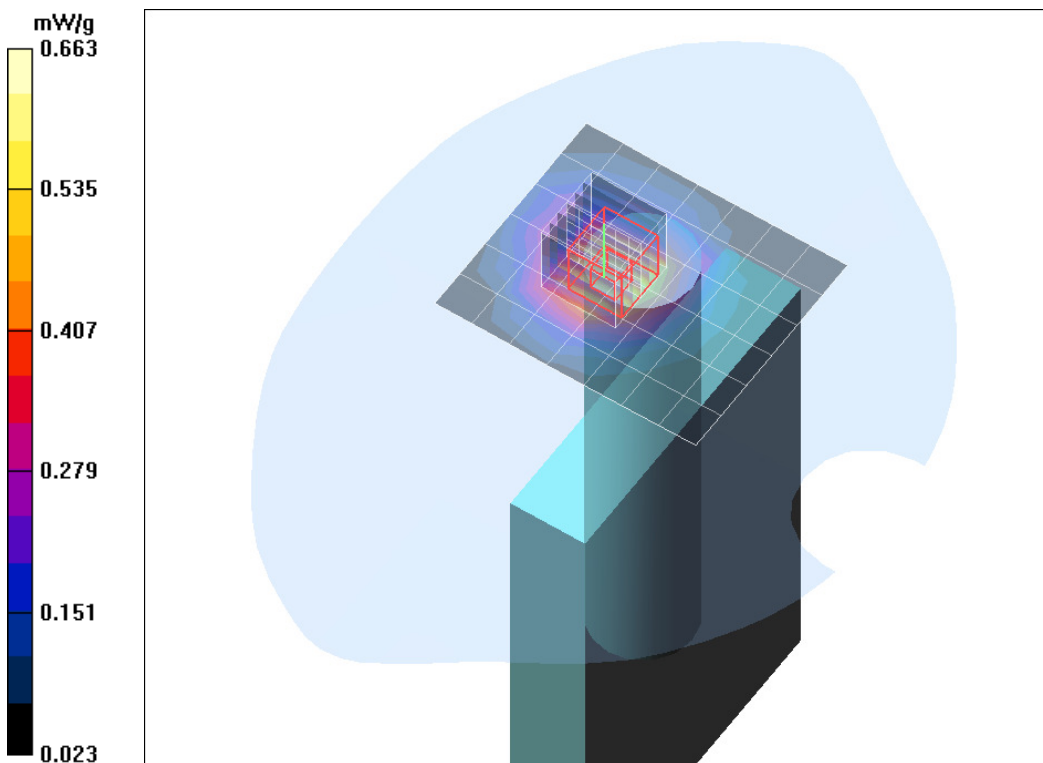


Fig. 11: SAR distribution for GPRS 1900 (3TX), channel 512, left side, 0 mm.

Test Laboratory: IMST GmbH, DASY Yellow (II); File Name:

[MT60\\_608\\_y\\_pfh\\_3TX\\_left\\_cover\\_0mm.da4](#)

DUT: S&B; Type: FareGo Move MT60; Serial: 357784044015608  
Program Name: GPRS 1900 (3TX)

Communication System: GPRS 1900; Frequency: 1909.8 MHz; Duty Cycle: 1:2.66  
Medium parameters used:  $f = 1909.8$  MHz;  $\sigma = 1.57$  mho/m;  $\epsilon_r = 52.5$ ;  $\rho = 1000$  kg/m<sup>3</sup>  
Phantom section: Flat Section

DASY4 Configuration:

- Probe: ET3DV6R - SN1669; ConvF(4.65, 4.65, 4.65); Calibrated: 2/19/2015
- Sensor-Surface: 4mm (Mechanical Surface Detection)
- Electronics: DAE3 Sn335; Calibrated: 2/19/2015
- Phantom: SAM 1340; Type: QD 000 P40 CB; Serial: TP-1340
- Measurement SW: DASY4, V4.7 Build 80; Postprocessing SW: SEMCAD, V1.8 Build 186

**Body/Area Scan (8x7x1):** Measurement grid: dx=15mm, dy=15mm

Maximum value of SAR (measured) = 0.568 mW/g

**Body/Zoom Scan (7x7x7)/Cube 0:** Measurement grid: dx=5mm, dy=5mm, dz=5mm

Reference Value = 18.4 V/m; Power Drift = 0.064 dB

Peak SAR (extrapolated) = 0.955 W/kg

**SAR(1 g) = 0.619 mW/g; SAR(10 g) = 0.366 mW/g**

Maximum value of SAR (measured) = 0.674 mW/g

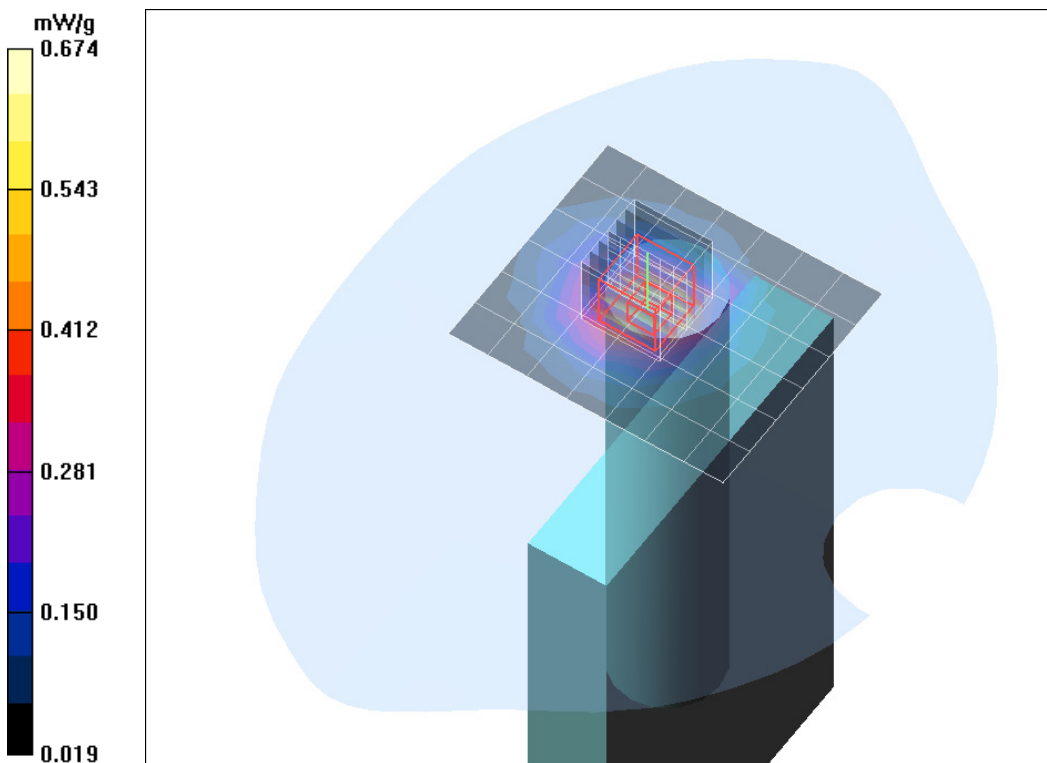


Fig. 12: SAR distribution for GPRS 1900 (3TX), channel 810, left side, 0 mm.

### 1.3 SAR Distribution Plots WCDMA 2

Test Laboratory: IMST GmbH, DASY Yellow (II); File Name: [MT60\\_608\\_y\\_u2fm\\_left\\_cover\\_0mm.da4](#)

DUT: S&B; Type: FareGo Move MT60; Serial: 357784044015608  
Program Name: WCDMA 2

Communication System: WCDMA FDD Band II; Frequency: 1880 MHz; Duty Cycle: 1:1  
Medium parameters used:  $f = 1880$  MHz;  $\sigma = 1.51$  mho/m;  $\epsilon_r = 52.6$ ;  $\rho = 1000$  kg/m<sup>3</sup>  
Phantom section: Flat Section

DASY4 Configuration:

- Probe: ET3DV6R - SN1669; ConvF(4.65, 4.65, 4.65); Calibrated: 2/19/2015
- Sensor-Surface: 4mm (Mechanical Surface Detection)
- Electronics: DAE3 Sn335; Calibrated: 2/19/2015
- Phantom: SAM 1340; Type: QD 000 P40 CB; Serial: TP-1340
- Measurement SW: DASY4, V4.7 Build 80; Postprocessing SW: SEMCAD, V1.8 Build 186

**Body/Area Scan (7x12x1):** Measurement grid: dx=15mm, dy=15mm

Maximum value of SAR (measured) = 0.960 mW/g

**Body/Zoom Scan (7x7x7)/Cube 0:** Measurement grid: dx=5mm, dy=5mm, dz=5mm

Reference Value = 26.2 V/m; Power Drift = 0.029 dB

Peak SAR (extrapolated) = 1.45 W/kg

**SAR(1 g) = 0.968 mW/g; SAR(10 g) = 0.600 mW/g**

Maximum value of SAR (measured) = 1.05 mW/g

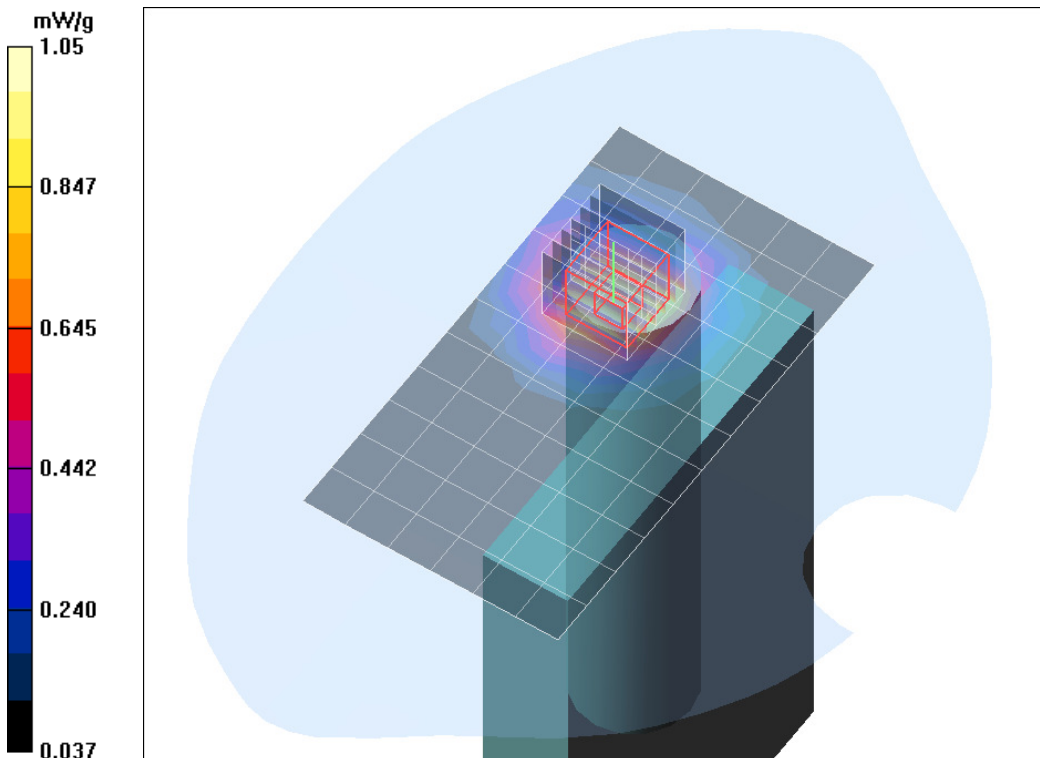


Fig. 13: SAR distribution for WCDMA 2 (FDD), channel 9400, left side, 0 mm.

Test Laboratory: IMST GmbH, DASY Yellow (II); File Name:

[MT60\\_608\\_y\\_u2fm\\_left\\_cover\\_0mm\\_mv.da4](#)

DUT: S&B; Type: FareGo Move MT60; Serial: 357784044015608

Program Name: WCDMA 2

Communication System: WCDMA FDD Band II; Frequency: 1880 MHz;Duty Cycle: 1:1

Medium parameters used:  $f = 1880 \text{ MHz}$ ;  $\sigma = 1.51 \text{ mho/m}$ ;  $\epsilon_r = 52.6$ ;  $\rho = 1000 \text{ kg/m}^3$

Phantom section: Flat Section

DASY4 Configuration:

- Probe: ET3DV6R - SN1669; ConvF(4.65, 4.65, 4.65); Calibrated: 2/19/2015
- Sensor-Surface: 4mm (Mechanical Surface Detection)
- Electronics: DAE3 Sn335; Calibrated: 2/19/2015
- Phantom: SAM 1340; Type: QD 000 P40 CB; Serial: TP-1340
- Measurement SW: DASY4, V4.7 Build 80; Postprocessing SW: SEMCAD, V1.8 Build 186

**Body/Area Scan (7x12x1):** Measurement grid:  $dx=15\text{mm}$ ,  $dy=15\text{mm}$

Maximum value of SAR (measured) = 0.953 mW/g

**Body/Zoom Scan (7x7x7)/Cube 0:** Measurement grid:  $dx=5\text{mm}$ ,  $dy=5\text{mm}$ ,  $dz=5\text{mm}$

Reference Value = 24.8 V/m; Power Drift = 0.125 dB

Peak SAR (extrapolated) = 1.40 W/kg

**SAR(1 g) = 0.941 mW/g; SAR(10 g) = 0.585 mW/g**

Maximum value of SAR (measured) = 1.02 mW/g

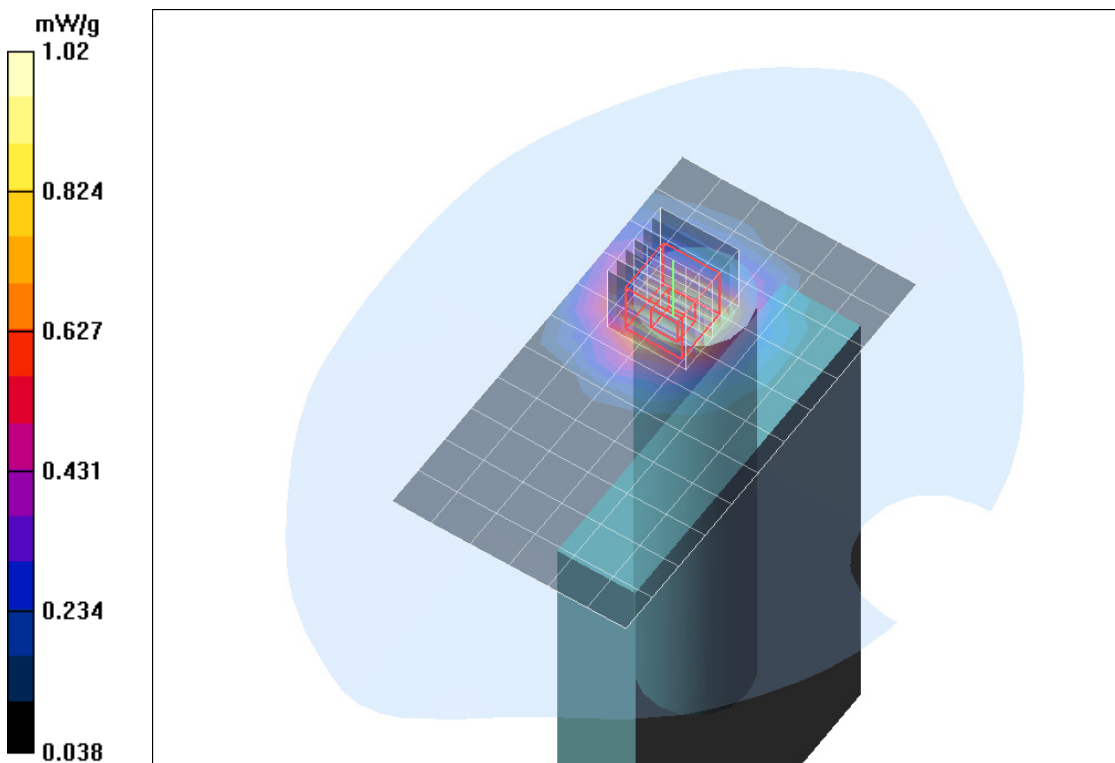


Fig. 14: Variability test for WCDMA 2 (FDD), channel 9400, left side, 0 mm.

Test Laboratory: IMST GmbH, DASY Yellow (II); File Name: [MT60\\_608\\_y\\_u2fm\\_top\\_cover\\_0mm.da4](#)

DUT: S&B; Type: FareGo Move MT60; Serial: 357784044015608  
Program Name: WCDMA 2

Communication System: WCDMA FDD Band II; Frequency: 1880 MHz; Duty Cycle: 1:1  
Medium parameters used:  $f = 1880$  MHz;  $\sigma = 1.51$  mho/m;  $\epsilon_r = 52.6$ ;  $\rho = 1000$  kg/m<sup>3</sup>  
Phantom section: Flat Section

DASY4 Configuration:

- Probe: ET3DV6R - SN1669; ConvF(4.65, 4.65, 4.65); Calibrated: 2/19/2015
- Sensor-Surface: 4mm (Mechanical Surface Detection)
- Electronics: DAE3 Sn335; Calibrated: 2/19/2015
- Phantom: SAM 1340; Type: QD 000 P40 CB; Serial: TP-1340
- Measurement SW: DASY4, V4.7 Build 80; Postprocessing SW: SEMCAD, V1.8 Build 186

**Body/Area Scan (8x10x1):** Measurement grid: dx=15mm, dy=15mm

Maximum value of SAR (measured) = 0.445 mW/g

**Body/Zoom Scan (7x7x7)/Cube 0:** Measurement grid: dx=5mm, dy=5mm, dz=5mm

Reference Value = 9.13 V/m; Power Drift = 0.113 dB

Peak SAR (extrapolated) = 0.603 W/kg

**SAR(1 g) = 0.416 mW/g; SAR(10 g) = 0.267 mW/g**

Maximum value of SAR (measured) = 0.447 mW/g

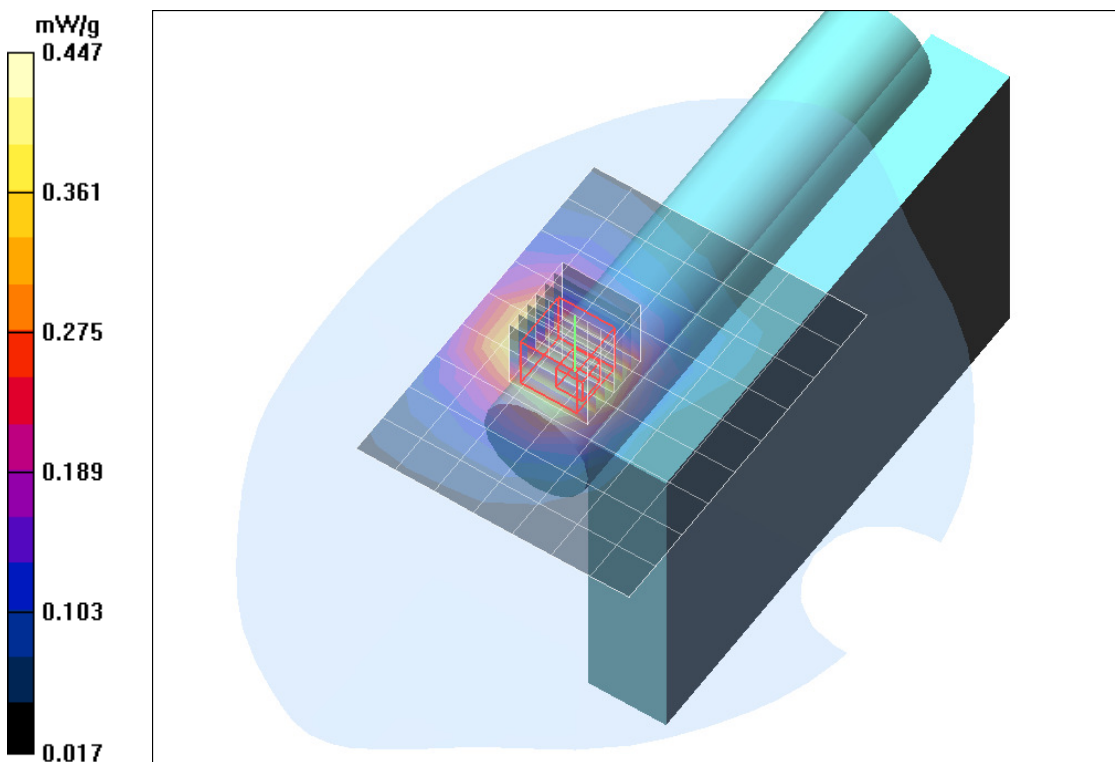


Fig. 15: SAR distribution for WCDMA 2 (FDD), channel 9400, top side, 0 mm.



**Test Laboratory: IMST GmbH, DASY Yellow (II); File Name: [MT60\\_608\\_y\\_u2fm\\_back\\_cover\\_0mm.da4](#)**

**DUT: S&B; Type: FareGo Move MT60; Serial: 357784044015608**  
**Program Name: WCDMA 2**

Communication System: WCDMA FDD Band II; Frequency: 1880 MHz; Duty Cycle: 1:1  
Medium parameters used:  $f = 1880$  MHz;  $\sigma = 1.51$  mho/m;  $\epsilon_r = 52.6$ ;  $\rho = 1000$  kg/m<sup>3</sup>  
Phantom section: Flat Section

DASY4 Configuration:

- Probe: ET3DV6R - SN1669; ConvF(4.65, 4.65, 4.65); Calibrated: 2/19/2015
- Sensor-Surface: 4mm (Mechanical Surface Detection)
- Electronics: DAE3 Sn335; Calibrated: 2/19/2015
- Phantom: SAM 1340; Type: QD 000 P40 CB; Serial: TP-1340
- Measurement SW: DASY4, V4.7 Build 80; Postprocessing SW: SEMCAD, V1.8 Build 186

**Body Worn/Area Scan (12x12x1):** Measurement grid: dx=15mm, dy=15mm

Maximum value of SAR (measured) = 0.407 mW/g

**Body Worn/Zoom Scan (7x7x7)/Cube 0:** Measurement grid: dx=5mm, dy=5mm, dz=5mm

Reference Value = 11.8 V/m; Power Drift = -0.136 dB

Peak SAR (extrapolated) = 1.10 W/kg

**SAR(1 g) = 0.521 mW/g; SAR(10 g) = 0.262 mW/g**

Maximum value of SAR (measured) = 0.573 mW/g

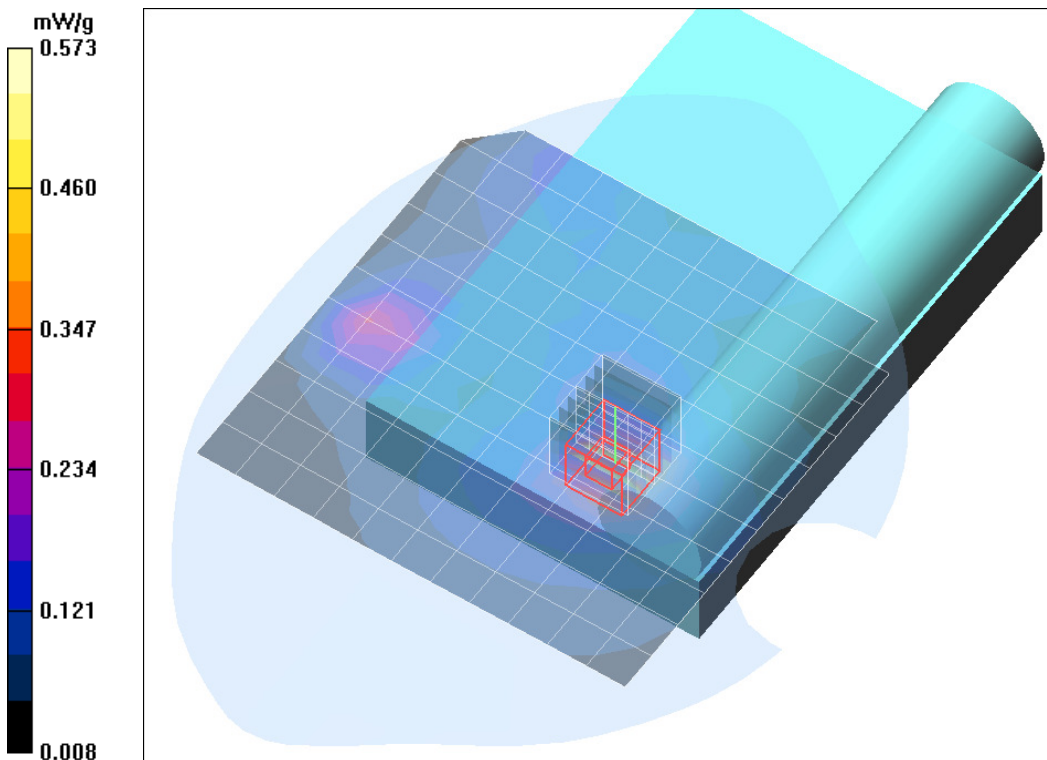


Fig. 16: SAR distribution for WCDMA 2 (FDD), channel 9400, back side, 0 mm.

Test Laboratory: IMST GmbH, DASY Yellow (II); File Name: [MT60\\_608\\_y\\_u2fl\\_left\\_cover\\_0mm.da4](#)

DUT: S&B; Type: FareGo Move MT60; Serial: 357784044015608  
Program Name: WCDMA 2

Communication System: WCDMA FDD Band II; Frequency: 1852.4 MHz; Duty Cycle: 1:1  
Medium parameters used:  $f = 1852.4$  MHz;  $\sigma = 1.46$  mho/m;  $\epsilon_r = 52.7$ ;  $\rho = 1000$  kg/m<sup>3</sup>  
Phantom section: Flat Section

DASY4 Configuration:

- Probe: ET3DV6R - SN1669; ConvF(4.65, 4.65, 4.65); Calibrated: 2/19/2015
- Sensor-Surface: 4mm (Mechanical Surface Detection)
- Electronics: DAE3 Sn335; Calibrated: 2/19/2015
- Phantom: SAM 1340; Type: QD 000 P40 CB; Serial: TP-1340
- Measurement SW: DASY4, V4.7 Build 80; Postprocessing SW: SEMCAD, V1.8 Build 186

**Body/Area Scan (7x12x1):** Measurement grid: dx=15mm, dy=15mm

Maximum value of SAR (measured) = 0.958 mW/g

**Body/Zoom Scan (7x7x7)/Cube 0:** Measurement grid: dx=5mm, dy=5mm, dz=5mm

Reference Value = 26.2 V/m; Power Drift = 0.012 dB

Peak SAR (extrapolated) = 1.40 W/kg

**SAR(1 g) = 0.958 mW/g; SAR(10 g) = 0.602 mW/g**

Maximum value of SAR (measured) = 1.04 mW/g

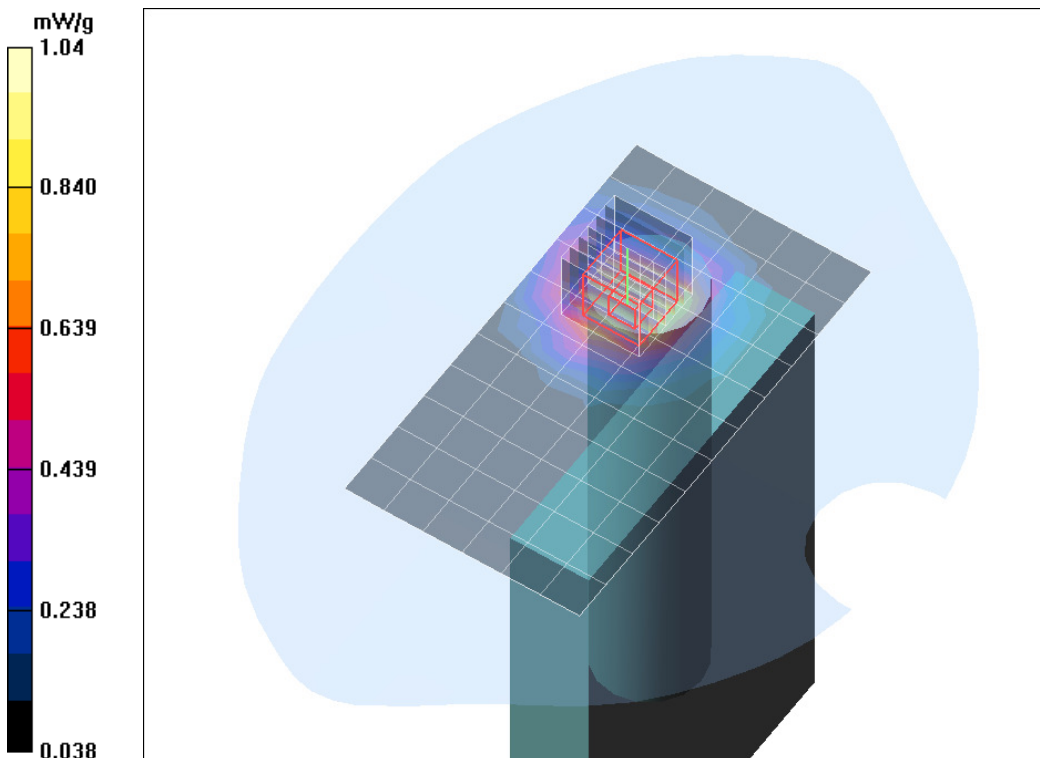


Fig. 17: SAR distribution for WCDMA 2 (FDD), channel 9262, left side, 0 mm.

Test Laboratory: IMST GmbH, DASY Yellow (II); File Name: [MT60\\_608\\_y\\_u2fh\\_left\\_cover\\_0mm.da4](#)

DUT: S&B; Type: FareGo Move MT60; Serial: 357784044015608  
Program Name: WCDMA 2

Communication System: WCDMA FDD Band II; Frequency: 1907.6 MHz; Duty Cycle: 1:1  
Medium parameters used:  $f = 1907.6$  MHz;  $\sigma = 1.57$  mho/m;  $\epsilon_r = 52.5$ ;  $\rho = 1000$  kg/m<sup>3</sup>  
Phantom section: Flat Section

DASY4 Configuration:

- Probe: ET3DV6R - SN1669; ConvF(4.65, 4.65, 4.65); Calibrated: 2/19/2015
- Sensor-Surface: 4mm (Mechanical Surface Detection)
- Electronics: DAE3 Sn335; Calibrated: 2/19/2015
- Phantom: SAM 1340; Type: QD 000 P40 CB; Serial: TP-1340
- Measurement SW: DASY4, V4.7 Build 80; Postprocessing SW: SEMCAD, V1.8 Build 186

**Body/Area Scan (7x12x1):** Measurement grid: dx=15mm, dy=15mm

Maximum value of SAR (measured) = 0.794 mW/g

**Body/Zoom Scan (7x7x7)/Cube 0:** Measurement grid: dx=5mm, dy=5mm, dz=5mm

Reference Value = 24.4 V/m; Power Drift = 0.029 dB

Peak SAR (extrapolated) = 1.28 W/kg

**SAR(1 g) = 0.841 mW/g; SAR(10 g) = 0.515 mW/g**

Maximum value of SAR (measured) = 0.915 mW/g

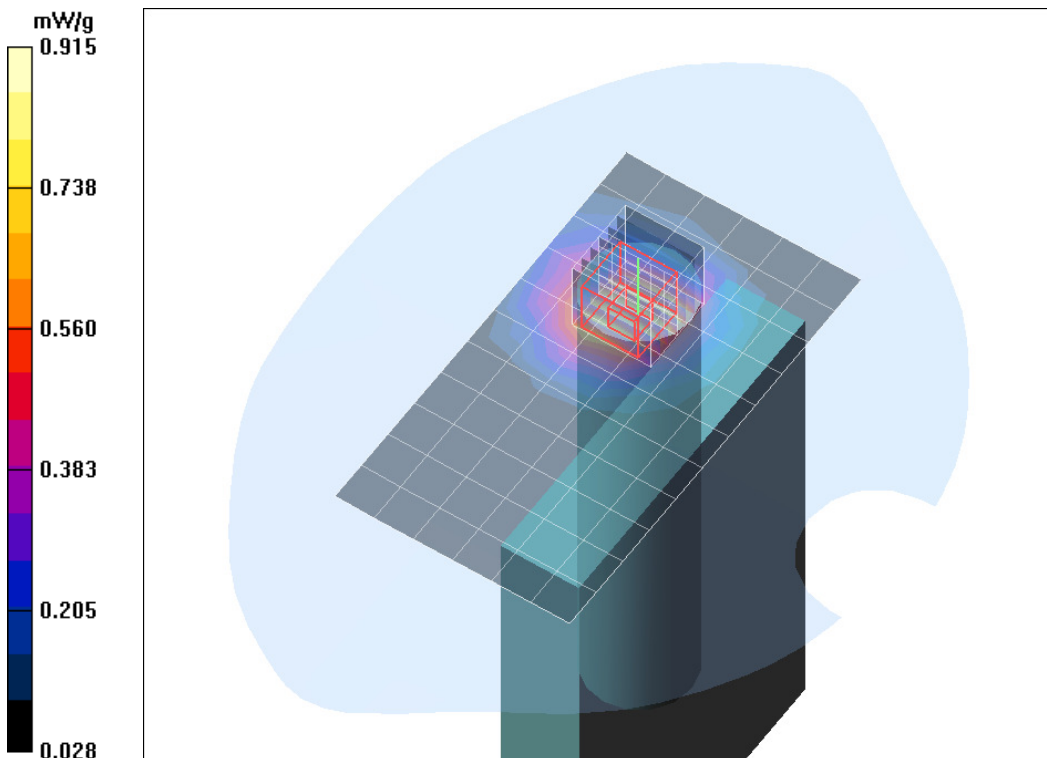


Fig. 18: SAR distribution for WCDMA 2 (FDD), channel 9538, left side, 0 mm.

## 1.4 SAR Distribution Plots WCDMA 5

Test Laboratory: IMST GmbH, DASY Yellow (II); File Name: [MT60\\_608\\_y\\_u5fm\\_left\\_cover\\_0mm.da4](#)

DUT: S&B; Type: FareGo Move MT60; Serial: 357784044015608  
Program Name: WCDMA 5

Communication System: WCDMA (FDD) Band V; Frequency: 836.5 MHz; Duty Cycle: 1:1  
Medium parameters used:  $f = 836.6$  MHz;  $\sigma = 0.98$  mho/m;  $\epsilon_r = 53$ ;  $\rho = 1000$  kg/m<sup>3</sup>  
Phantom section: Flat Section

DASY4 Configuration:

- Probe: ET3DV6R - SN1669; ConvF(5.99, 5.99, 5.99); Calibrated: 2/19/2015
- Sensor-Surface: 4mm (Mechanical Surface Detection)
- Electronics: DAE4 Sn631; Calibrated: 9/16/2015
- Phantom: SAM Sugar 1341; Type: QD 000 P40 CB; Serial: TP-1341
- Measurement SW: DASY4, V4.7 Build 80; Postprocessing SW: SEMCAD, V1.8 Build 186

**Body/Area Scan (8x11x1):** Measurement grid: dx=15mm, dy=15mm

Maximum value of SAR (measured) = 0.244 mW/g

**Body/Zoom Scan (7x7x7)/Cube 0:** Measurement grid: dx=5mm, dy=5mm, dz=5mm

Reference Value = 13.3 V/m; Power Drift = -0.008 dB

Peak SAR (extrapolated) = 0.330 W/kg

**SAR(1 g) = 0.242 mW/g; SAR(10 g) = 0.163 mW/g**

Maximum value of SAR (measured) = 0.260 mW/g

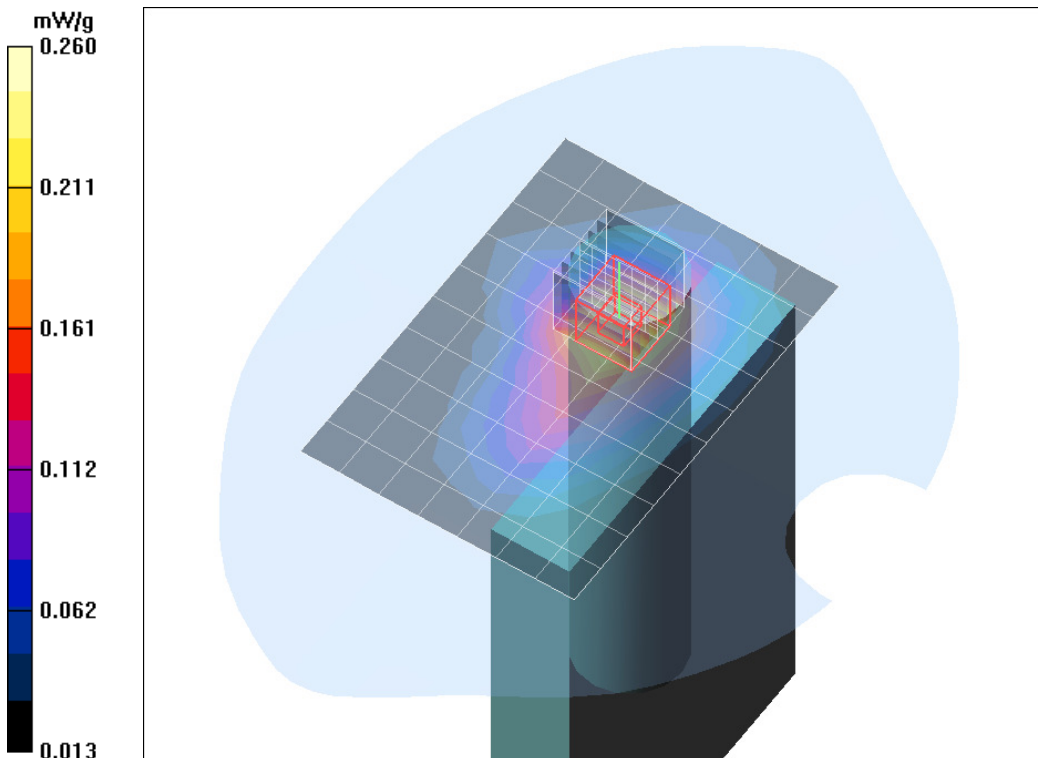


Fig. 19: SAR distribution for WCDMA 5 (FDD), channel 4183, left side, 0 mm.

Test Laboratory: IMST GmbH, DASY Yellow (II); File Name: [MT60\\_608\\_y\\_u5fm\\_top\\_cover\\_0mm.da4](#)

DUT: S&B; Type: FareGo Move MT60; Serial: 357784044015608  
Program Name: WCDMA 5

Communication System: WCDMA (FDD) Band V; Frequency: 836.5 MHz; Duty Cycle: 1:1  
Medium parameters used:  $f = 836.6$  MHz;  $\sigma = 0.98$  mho/m;  $\epsilon_r = 53$ ;  $\rho = 1000$  kg/m<sup>3</sup>  
Phantom section: Flat Section

DASY4 Configuration:

- Probe: ET3DV6R - SN1669; ConvF(5.99, 5.99, 5.99); Calibrated: 2/19/2015
- Sensor-Surface: 4mm (Mechanical Surface Detection)
- Electronics: DAE4 Sn631; Calibrated: 9/16/2015
- Phantom: SAM Sugar 1341; Type: QD 000 P40 CB; Serial: TP-1341
- Measurement SW: DASY4, V4.7 Build 80; Postprocessing SW: SEMCAD, V1.8 Build 186

**Body/Area Scan (8x10x1):** Measurement grid: dx=15mm, dy=15mm

Maximum value of SAR (measured) = 0.364 mW/g

**Body/Zoom Scan (7x7x7)/Cube 0:** Measurement grid: dx=5mm, dy=5mm, dz=5mm

Reference Value = 9.63 V/m; Power Drift = 0.114 dB

Peak SAR (extrapolated) = 0.522 W/kg

**SAR(1 g) = 0.352 mW/g; SAR(10 g) = 0.228 mW/g**

Maximum value of SAR (measured) = 0.381 mW/g

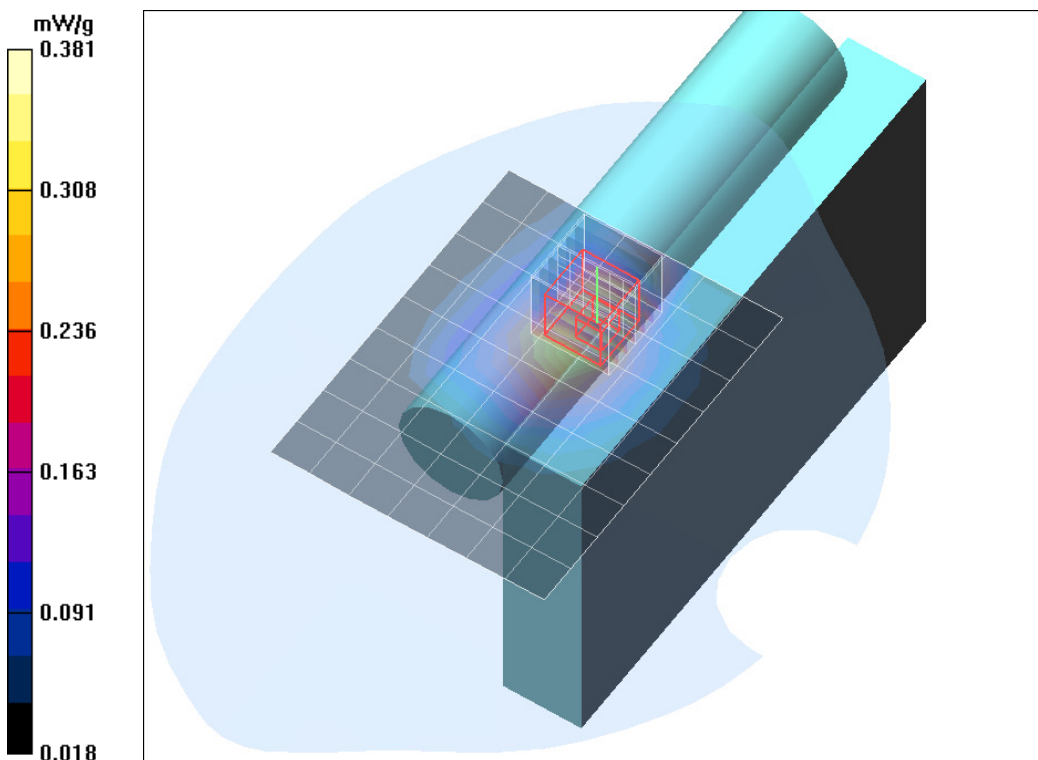


Fig. 20: SAR distribution for WCDMA 5 (FDD), channel 4183, top side, 0 mm.

**Test Laboratory: IMST GmbH, DASY Yellow (II); File Name: [MT60\\_608\\_y\\_u5fm\\_back\\_cover\\_0mm.da4](#)**

**DUT: S&B; Type: FareGo Move MT60; Serial: 357784044015608**  
**Program Name: WCDMA 5**

Communication System: WCDMA (FDD) Band V; Frequency: 836.5 MHz; Duty Cycle: 1:1  
 Medium parameters used:  $f = 836.6 \text{ MHz}$ ;  $\sigma = 0.98 \text{ mho/m}$ ;  $\epsilon_r = 53$ ;  $\rho = 1000 \text{ kg/m}^3$   
 Phantom section: Flat Section

DASY4 Configuration:

- Probe: ET3DV6R - SN1669; ConvF(5.99, 5.99, 5.99); Calibrated: 2/19/2015
- Sensor-Surface: 4mm (Mechanical Surface Detection)
- Electronics: DAE4 Sn631; Calibrated: 9/16/2015
- Phantom: SAM Sugar 1341; Type: QD 000 P40 CB; Serial: TP-1341
- Measurement SW: DASY4, V4.7 Build 80; Postprocessing SW: SEMCAD, V1.8 Build 186

**Body Worn/Area Scan (12x12x1):** Measurement grid:  $dx=15\text{mm}$ ,  $dy=15\text{mm}$

Maximum value of SAR (measured) = 0.256 mW/g

**Body Worn/Zoom Scan (7x7x7)/Cube 0:** Measurement grid:  $dx=5\text{mm}$ ,  $dy=5\text{mm}$ ,  $dz=5\text{mm}$

Reference Value = 10.1 V/m; Power Drift = -0.074 dB

Peak SAR (extrapolated) = 0.514 W/kg

**SAR(1 g) = 0.233 mW/g; SAR(10 g) = 0.127 mW/g**

Maximum value of SAR (measured) = 0.254 mW/g

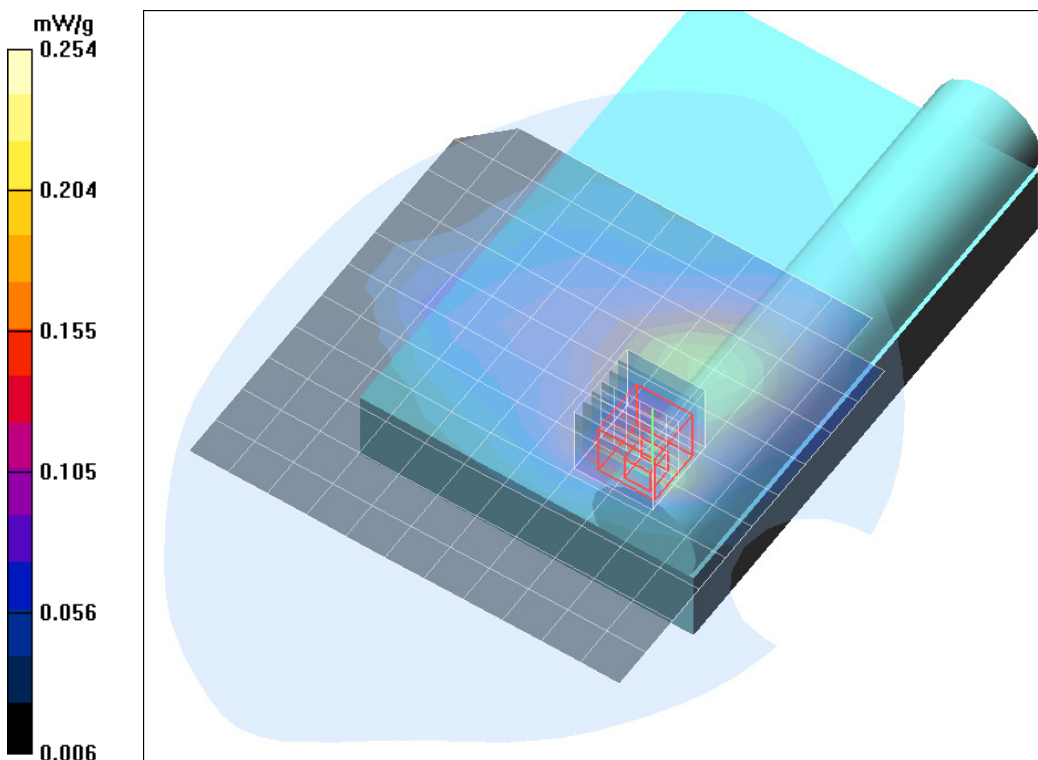


Fig. 21: SAR distribution for WCDMA 5 (FDD), channel 4183, back side, 0 mm.

Test Laboratory: IMST GmbH, DASY Yellow (II); File Name: [MT60\\_608\\_y\\_u5fl\\_top\\_cover\\_0mm.da4](#)

DUT: S&B; Type: FareGo Move MT60; Serial: 357784044015608  
Program Name: WCDMA 5

Communication System: WCDMA (FDD) Band V; Frequency: 826.4 MHz; Duty Cycle: 1:1  
Medium parameters used:  $f = 826.4$  MHz;  $\sigma = 0.96$  mho/m;  $\epsilon_r = 53.1$ ;  $\rho = 1000$  kg/m<sup>3</sup>  
Phantom section: Flat Section

DASY4 Configuration:

- Probe: ET3DV6R - SN1669; ConvF(5.99, 5.99, 5.99); Calibrated: 2/19/2015
- Sensor-Surface: 4mm (Mechanical Surface Detection)
- Electronics: DAE4 Sn631; Calibrated: 9/16/2015
- Phantom: SAM Sugar 1341; Type: QD 000 P40 CB; Serial: TP-1341
- Measurement SW: DASY4, V4.7 Build 80; Postprocessing SW: SEMCAD, V1.8 Build 186

**Body/Area Scan (8x10x1):** Measurement grid: dx=15mm, dy=15mm

Maximum value of SAR (measured) = 0.317 mW/g

**Body/Zoom Scan (7x7x7)/Cube 0:** Measurement grid: dx=5mm, dy=5mm, dz=5mm

Reference Value = 9.73 V/m; Power Drift = -0.129 dB

Peak SAR (extrapolated) = 0.439 W/kg

**SAR(1 g) = 0.294 mW/g; SAR(10 g) = 0.192 mW/g**

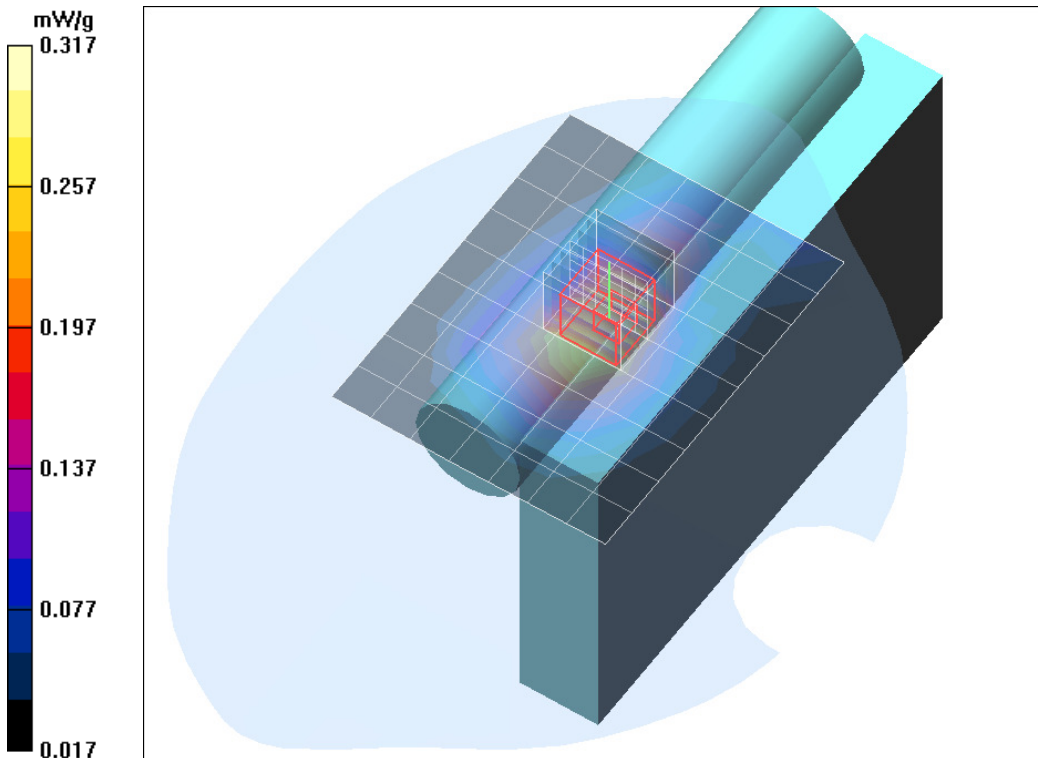


Fig. 22: SAR distribution for WCDMA 5 (FDD), channel 4132, top side, 0 mm.

**Test Laboratory: IMST GmbH, DASY Yellow (II); File Name: [MT60\\_608\\_y\\_u5fh\\_top\\_cover\\_0mm.da4](#)**

**DUT: S&B; Type: FareGo Move MT60; Serial: 357784044015608**  
**Program Name: WCDMA 5**

Communication System: WCDMA (FDD) Band V; Frequency: 846.6 MHz; Duty Cycle: 1:1  
 Medium parameters used:  $f = 846.6$  MHz;  $\sigma = 0.99$  mho/m;  $\epsilon_r = 52.9$ ;  $\rho = 1000$  kg/m<sup>3</sup>  
 Phantom section: Flat Section

DASY4 Configuration:

- Probe: ET3DV6R - SN1669; ConvF(5.99, 5.99, 5.99); Calibrated: 2/19/2015
- Sensor-Surface: 4mm (Mechanical Surface Detection)
- Electronics: DAE4 Sn631; Calibrated: 9/16/2015
- Phantom: SAM Sugar 1341; Type: QD 000 P40 CB; Serial: TP-1341
- Measurement SW: DASY4, V4.7 Build 80; Postprocessing SW: SEMCAD, V1.8 Build 186

**Body/Area Scan (8x10x1):** Measurement grid: dx=15mm, dy=15mm

Maximum value of SAR (measured) = 0.262 mW/g

**Body/Zoom Scan (7x7x7)/Cube 0:** Measurement grid: dx=5mm, dy=5mm, dz=5mm

Reference Value = 7.51 V/m; Power Drift = 0.160 dB

Peak SAR (extrapolated) = 0.369 W/kg

**SAR(1 g) = 0.247 mW/g; SAR(10 g) = 0.161 mW/g**

Maximum value of SAR (measured) = 0.266 mW/g

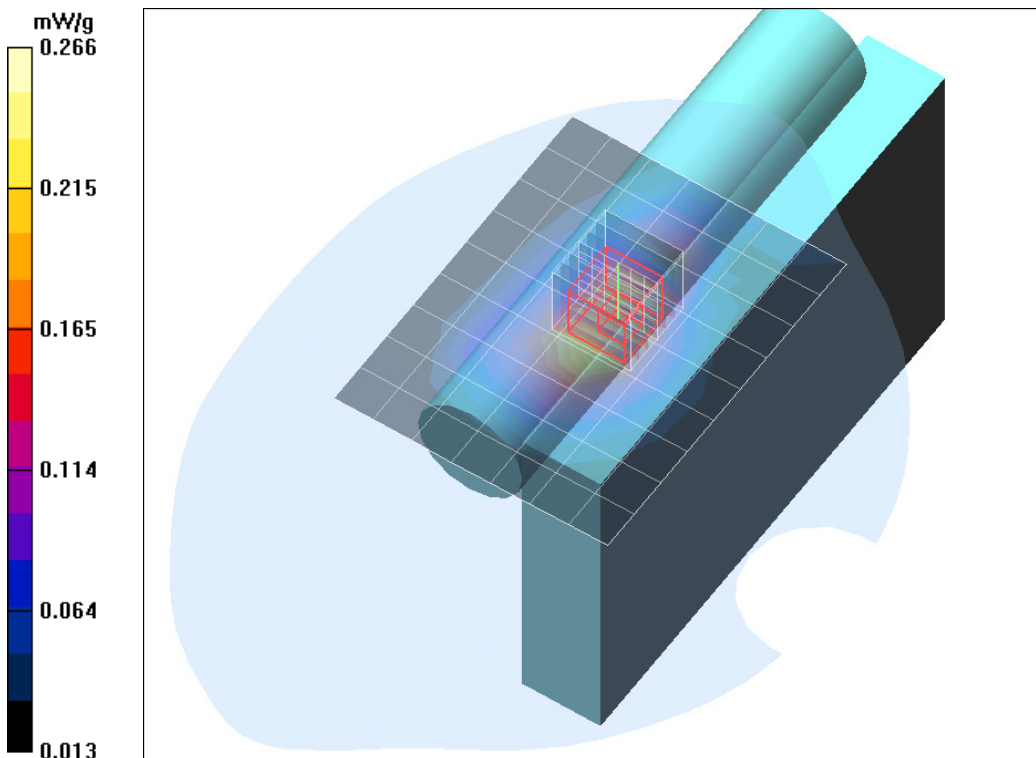


Fig. 23: SAR distribution for WCDMA 5 (FDD), channel 4233, top side, 0 mm.



## 1.5 SAR Distribution Plots Bluetooth

Test Laboratory: IMST GmbH, DASY Yellow (II); File Name:  
[MT60\\_608\\_y\\_btf\\_ch39\\_bottom\\_cover\\_0mm.da4](#)

DUT: S&B; Type: FareGo Move MT60; Serial: 357784044015608  
 Program Name: Bluetooth (GFSK)

Communication System: Bluetooth; Frequency: 2441 MHz; Duty Cycle: 1:1  
 Medium parameters used:  $f = 2441$  MHz;  $\sigma = 1.95$  mho/m;  $\epsilon_r = 52.3$ ;  $\rho = 1000$  kg/m<sup>3</sup>  
 Phantom section: Flat Section

DASY4 Configuration:

- Probe: EX3DV4 - SN3860; ConvF(7.52, 7.52, 7.52); Calibrated: 9/18/2015
- Sensor-Surface: 4mm (Mechanical Surface Detection)
- Electronics: DAE3 Sn335; Calibrated: 2/19/2015
- Phantom: SAM 1340; Type: QD 000 P40 CB; Serial: TP-1340
- Measurement SW: DASY4, V4.7 Build 80; Postprocessing SW: SEMCAD, V1.8 Build 186

**Body/Area Scan (8x22x1):** Measurement grid: dx=10mm, dy=10mm

Maximum value of SAR (measured) = 0.152 mW/g

**Body/Zoom Scan (7x7x7)/Cube 0:** Measurement grid: dx=5mm, dy=5mm, dz=5mm

Reference Value = 7.89 V/m; Power Drift = 0.122 dB

Peak SAR (extrapolated) = 0.393 W/kg

**SAR(1 g) = 0.130 mW/g; SAR(10 g) = 0.042 mW/g**

Maximum value of SAR (measured) = 0.157 mW/g

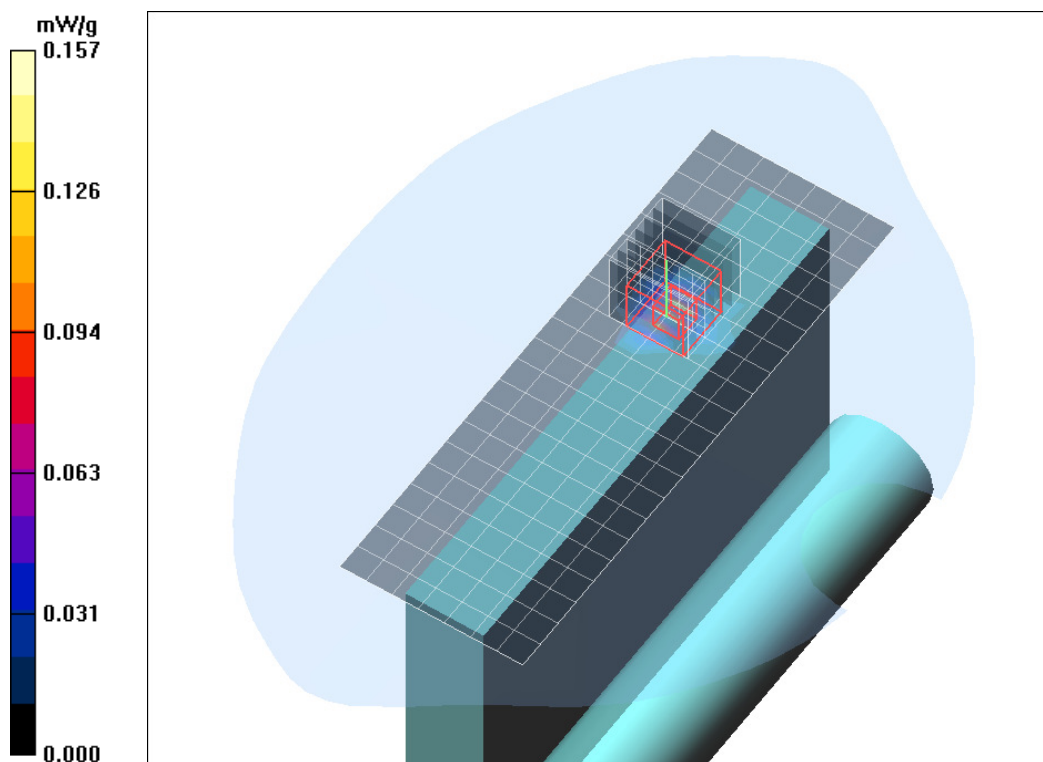


Fig. 24: SAR distribution for Bluetooth, channel 39, bottom side, 0 mm.

**Test Laboratory: IMST GmbH, DASY Yellow (II); File Name:**  
[MT60\\_608\\_y\\_btf\\_ch0\\_bottom\\_cover\\_0mm.da4](#)

**DUT: S&B; Type: FareGo Move MT60; Serial: 357784044015608**  
**Program Name: Bluetooth (GFSK)**

Communication System: Bluetooth; Frequency: 2402 MHz; Duty Cycle: 1:1  
 Medium parameters used:  $f = 2402$  MHz;  $\sigma = 1.89$  mho/m;  $\epsilon_r = 52.5$ ;  $\rho = 1000$  kg/m<sup>3</sup>  
 Phantom section: Flat Section

DASY4 Configuration:

- Probe: EX3DV4 - SN3860; ConvF(7.52, 7.52, 7.52); Calibrated: 9/18/2015
- Sensor-Surface: 4mm (Mechanical Surface Detection)
- Electronics: DAE3 Sn335; Calibrated: 2/19/2015
- Phantom: SAM 1340; Type: QD 000 P40 CB; Serial: TP-1340
- Measurement SW: DASY4, V4.7 Build 80; Postprocessing SW: SEMCAD, V1.8 Build 186

**Body/Area Scan (8x16x1):** Measurement grid: dx=10mm, dy=10mm

Maximum value of SAR (measured) = 0.186 mW/g

**Body/Zoom Scan (7x7x7)/Cube 0:** Measurement grid: dx=5mm, dy=5mm, dz=5mm

Reference Value = 10.2 V/m; Power Drift = 0.049 dB

Peak SAR (extrapolated) = 0.543 W/kg

**SAR(1 g) = 0.175 mW/g; SAR(10 g) = 0.059 mW/g**

Maximum value of SAR (measured) = 0.202 mW/g

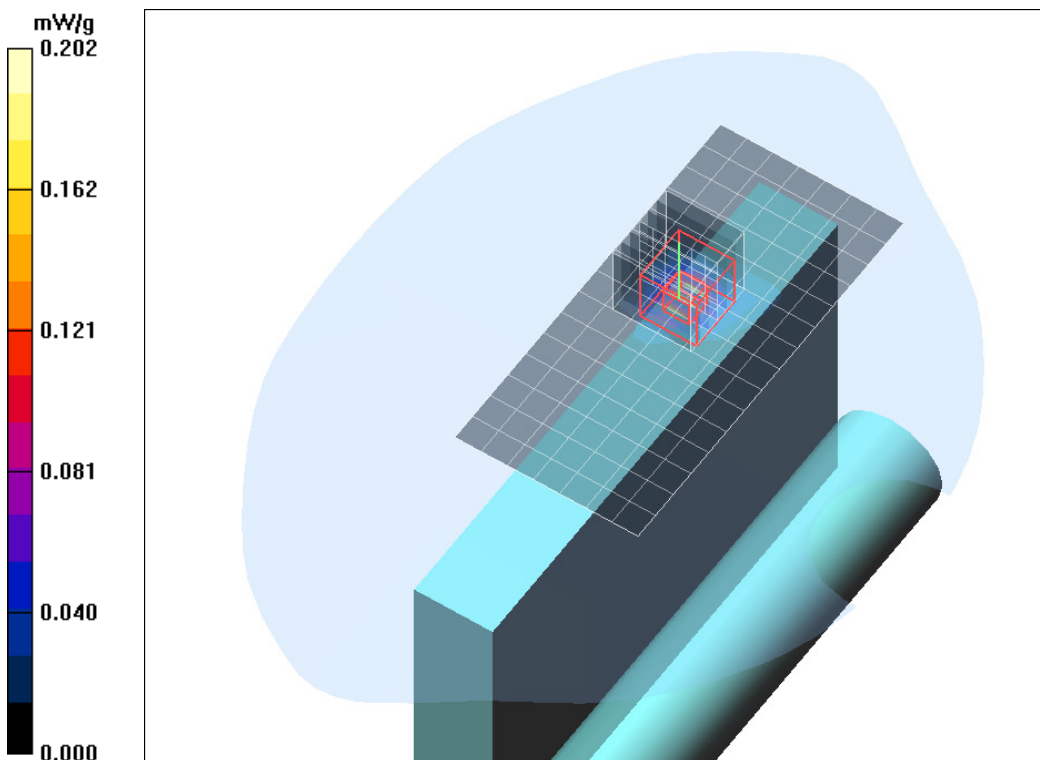


Fig. 25: SAR distribution for Bluetooth, channel 0, bottom side, 0 mm.

**Test Laboratory: IMST GmbH, DASY Yellow (II); File Name:**  
[MT60\\_608\\_y\\_btf\\_ch78\\_bottom\\_cover\\_0mm.da4](#)

**DUT: S&B; Type: FareGo Move MT60; Serial: 357784044015608**  
**Program Name: Bluetooth (GFSK)**

Communication System: Bluetooth; Frequency: 2480 MHz; Duty Cycle: 1:1  
 Medium parameters used:  $f = 2480$  MHz;  $\sigma = 2.03$  mho/m;  $\epsilon_r = 52.2$ ;  $\rho = 1000$  kg/m<sup>3</sup>  
 Phantom section: Flat Section

DASY4 Configuration:

- Probe: EX3DV4 - SN3860; ConvF(7.52, 7.52, 7.52); Calibrated: 9/18/2015
- Sensor-Surface: 4mm (Mechanical Surface Detection)
- Electronics: DAE3 Sn335; Calibrated: 2/19/2015
- Phantom: SAM 1340; Type: QD 000 P40 CB; Serial: TP-1340
- Measurement SW: DASY4, V4.7 Build 80; Postprocessing SW: SEMCAD, V1.8 Build 186

**Body/Area Scan (8x16x1):** Measurement grid: dx=10mm, dy=10mm

Maximum value of SAR (measured) = 0.116 mW/g

**Body/Zoom Scan (7x7x7)/Cube 0:** Measurement grid: dx=5mm, dy=5mm, dz=5mm

Reference Value = 8.18 V/m; Power Drift = 0.089 dB

Peak SAR (extrapolated) = 0.258 W/kg

**SAR(1 g) = 0.106 mW/g; SAR(10 g) = 0.031 mW/g**

Maximum value of SAR (measured) = 0.138 mW/g

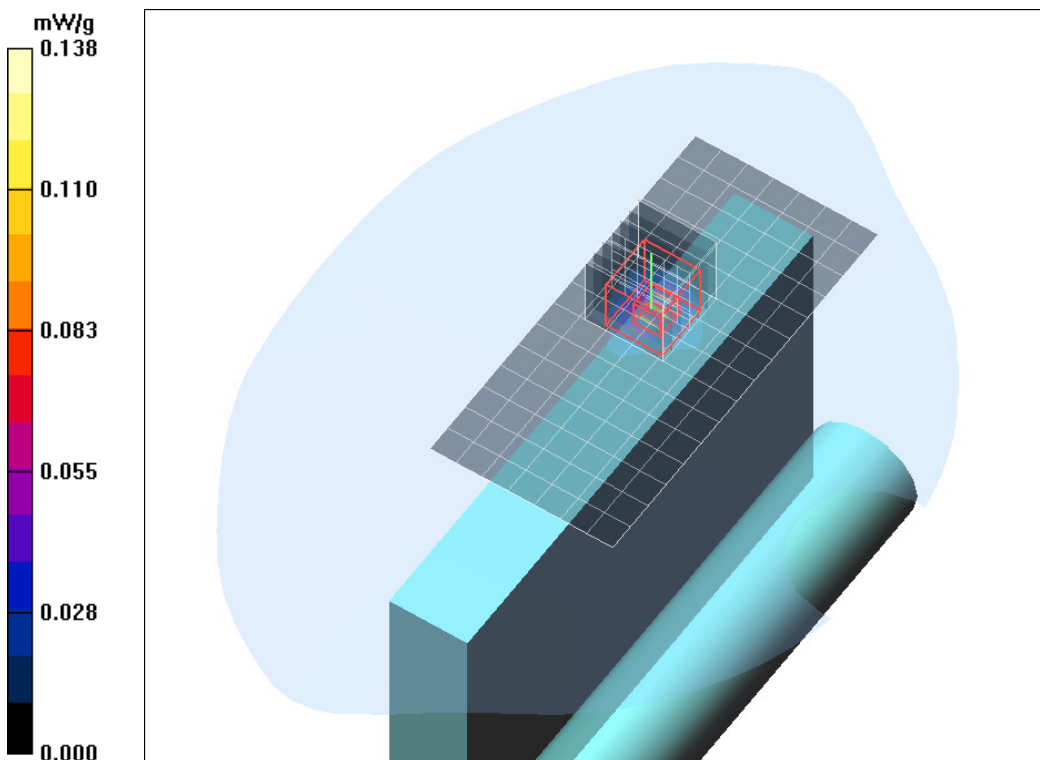


Fig. 26: SAR distribution for Bluetooth, channel 78, bottom side, 0 mm.

## 1.6 SAR Distribution Plots IEEE 802.11b (2.4GHz)

Test Laboratory: IMST GmbH, DASY Yellow (II); File Name:  
[MT60\\_608\\_y\\_wlan\\_b\\_ch6\\_right\\_cover\\_0mm\\_pwl15.da4](#)

DUT: S&B; Type: FareGo Move MT60; Serial: 357784044015608  
 Program Name: IEEE 802.11 b

Communication System: WLAN 2450; Frequency: 2437 MHz; Duty Cycle: 1:1  
 Medium parameters used:  $f = 2437$  MHz;  $\sigma = 1.95$  mho/m;  $\epsilon_r = 52.3$ ;  $\rho = 1000$  kg/m<sup>3</sup>  
 Phantom section: Flat Section

DASY4 Configuration:

- Probe: EX3DV4 - SN3860; ConvF(7.52, 7.52, 7.52); Calibrated: 9/18/2015
- Sensor-Surface: 4mm (Mechanical Surface Detection)
- Electronics: DAE3 Sn335; Calibrated: 2/19/2015
- Phantom: SAM 1340; Type: QD 000 P40 CB; Serial: TP-1340
- Measurement SW: DASY4, V4.7 Build 80; Postprocessing SW: SEMCAD, V1.8 Build 186

**Body Worn/Area Scan (8x12x1):** Measurement grid: dx=15mm, dy=15mm

Maximum value of SAR (measured) = 0.747 mW/g

**Body Worn/Zoom Scan (7x7x7)/Cube 0:** Measurement grid: dx=5mm, dy=5mm, dz=5mm

Reference Value = 3.81 V/m; Power Drift = 0.104 dB

Peak SAR (extrapolated) = 2.28 W/kg

**SAR(1 g) = 0.896 mW/g; SAR(10 g) = 0.323 mW/g**

Maximum value of SAR (measured) = 1.05 mW/g

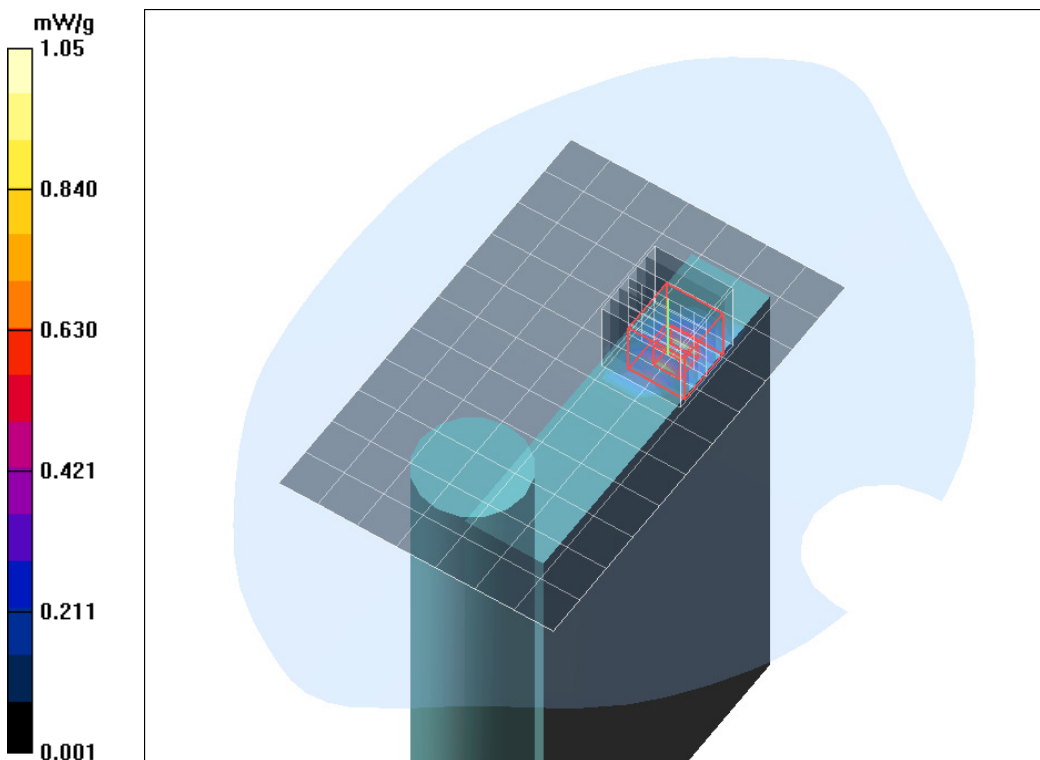


Fig. 27: SAR distribution for IEEE 802.11b (2.4GHz), 1Mbit/s, channel 6, right side, 0 mm.

**Test Laboratory: IMST GmbH, DASY Yellow (II); File Name:**  
[MT60\\_608\\_y\\_wlan\\_b\\_ch6\\_right\\_cover\\_0mm\\_pwl15\\_mv.da4](#)

**DUT: S&B; Type: FareGo Move MT60; Serial: 357784044015608**  
**Program Name: IEEE 802.11 b**

Communication System: WLAN 2450; Frequency: 2437 MHz; Duty Cycle: 1:1  
 Medium parameters used:  $f = 2437$  MHz;  $\sigma = 1.95$  mho/m;  $\epsilon_r = 52.3$ ;  $\rho = 1000$  kg/m<sup>3</sup>  
 Phantom section: Flat Section

DASY4 Configuration:

- Probe: EX3DV4 - SN3860; ConvF(7.52, 7.52, 7.52); Calibrated: 9/18/2015
- Sensor-Surface: 4mm (Mechanical Surface Detection)
- Electronics: DAE3 Sn335; Calibrated: 2/19/2015
- Phantom: SAM 1340; Type: QD 000 P40 CB; Serial: TP-1340
- Measurement SW: DASY4, V4.7 Build 80; Postprocessing SW: SEMCAD, V1.8 Build 186

**Body Worn/Area Scan (8x12x1):** Measurement grid: dx=15mm, dy=15mm

Maximum value of SAR (measured) = 0.506 mW/g

**Body Worn/Zoom Scan (7x7x7)/Cube 0:** Measurement grid: dx=5mm, dy=5mm, dz=5mm

Reference Value = 5.61 V/m; Power Drift = 0.058 dB

Peak SAR (extrapolated) = 2.18 W/kg

**SAR(1 g) = 0.860 mW/g; SAR(10 g) = 0.315 mW/g**

Maximum value of SAR (measured) = 1.01 mW/g

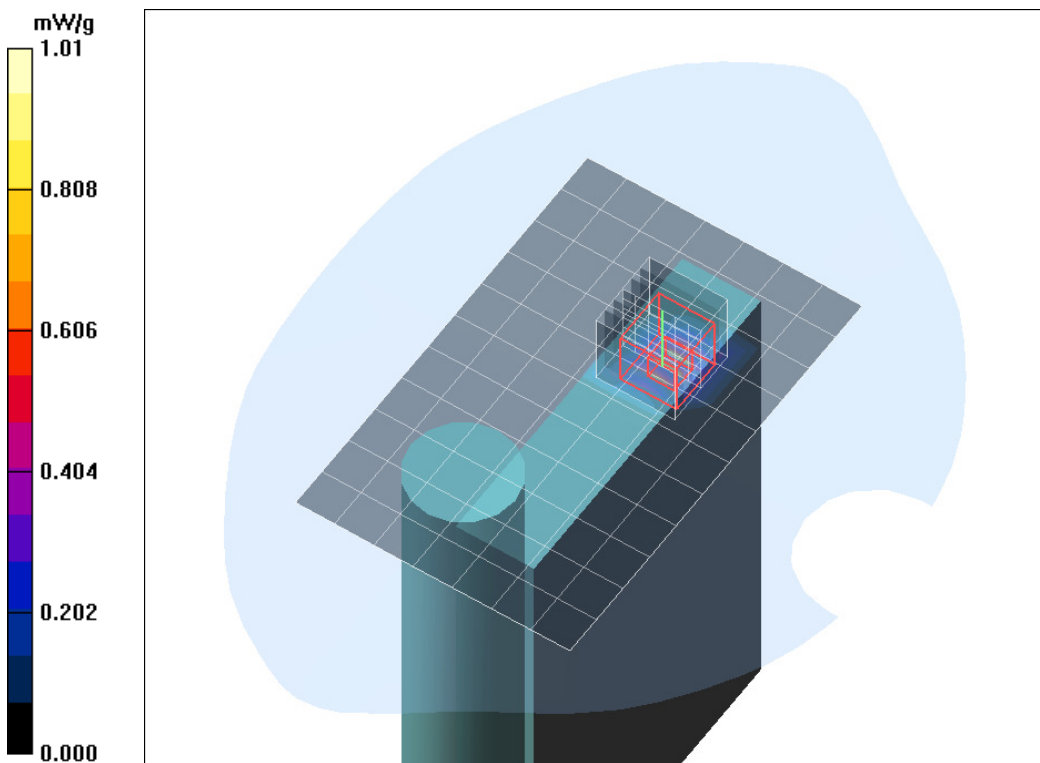


Fig. 28: Measurement Variability for IEEE 802.11b (2.4GHz), 1Mbit/s, channel 6, right side, 0 mm.

Test Laboratory: IMST GmbH, DASY Yellow (II); File Name:

[MT60\\_608\\_y\\_wlan\\_b\\_ch6\\_back\\_cover\\_0mm\\_pwl15.da4](#)

DUT: S&B; Type: FareGo Move MT60; Serial: 357784044015608

Program Name: IEEE 802.11 b

Communication System: WLAN 2450; Frequency: 2437 MHz; Duty Cycle: 1:1

Medium parameters used:  $f = 2437$  MHz;  $\sigma = 1.95$  mho/m;  $\epsilon_r = 52.3$ ;  $\rho = 1000$  kg/m<sup>3</sup>

Phantom section: Flat Section

DASY4 Configuration:

- Probe: EX3DV4 - SN3860; ConvF(7.52, 7.52, 7.52); Calibrated: 9/18/2015

- Sensor-Surface: 4mm (Mechanical Surface Detection)

- Electronics: DAE3 Sn335; Calibrated: 2/19/2015

- Phantom: SAM 1340; Type: QD 000 P40 CB; Serial: TP-1340

- Measurement SW: DASY4, V4.7 Build 80; Postprocessing SW: SEMCAD, V1.8 Build 186

**Body Worn/Area Scan (11x10x1):** Measurement grid: dx=15mm, dy=15mm

Maximum value of SAR (measured) = 0.024 mW/g

**Body Worn/Zoom Scan (7x7x7)/Cube 0:** Measurement grid: dx=5mm, dy=5mm, dz=5mm

Reference Value = 2.06 V/m; Power Drift = 0.073 dB

Peak SAR (extrapolated) = 0.042 W/kg

**SAR(1 g) = 0.022 mW/g; SAR(10 g) = 0.00989 mW/g**

Maximum value of SAR (measured) = 0.027 mW/g

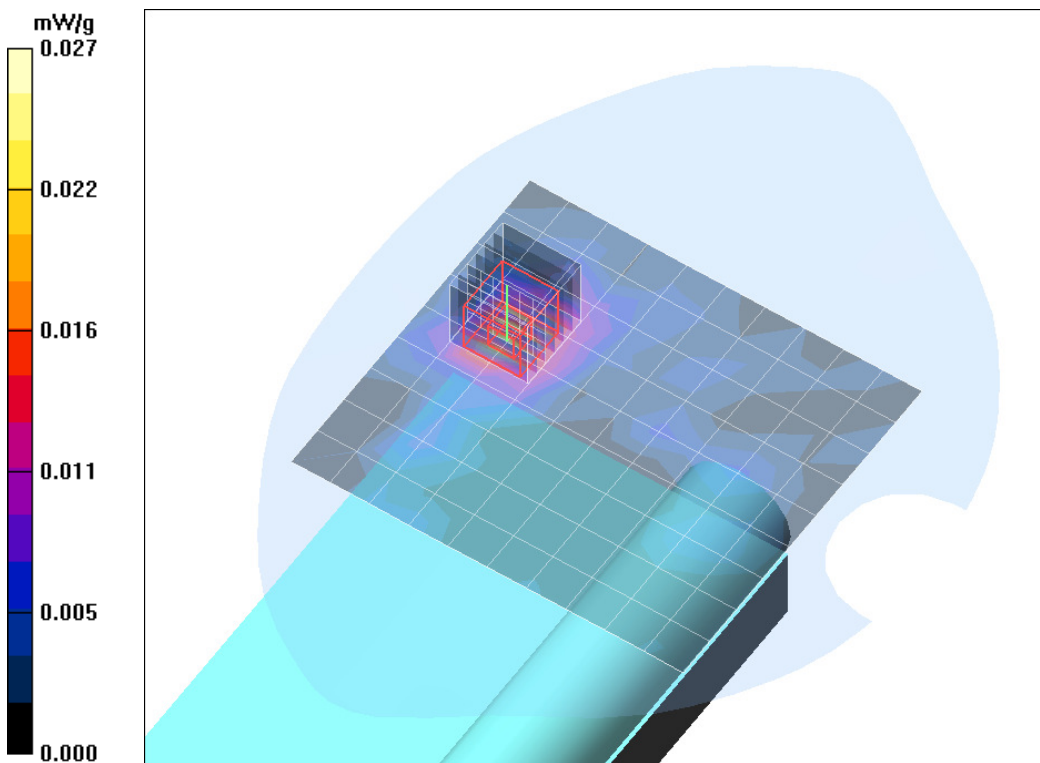


Fig. 29: SAR distribution for IEEE 802.11b (2.4GHz), 1Mbit/s, channel 6, back side, 0 mm.

**Test Laboratory: IMST GmbH, DASY Yellow (II); File Name:**

**[MT60\\_608\\_y\\_wlan\\_b\\_ch1\\_right\\_cover\\_0mm\\_pwl15.da4](#)**

**DUT: S&B; Type: FareGo Move MT60; Serial: 357784044015608**

**Program Name: IEEE 802.11 b**

Communication System: WLAN 2450; Frequency: 2412 MHz; Duty Cycle: 1:1

Medium parameters used:  $f = 2412$  MHz;  $\sigma = 1.9$  mho/m;  $\epsilon_r = 52.5$ ;  $\rho = 1000$  kg/m<sup>3</sup>

Phantom section: Flat Section

DASY4 Configuration:

- Probe: EX3DV4 - SN3860; ConvF(7.52, 7.52, 7.52); Calibrated: 9/18/2015

- Sensor-Surface: 4mm (Mechanical Surface Detection)

- Electronics: DAE3 Sn335; Calibrated: 2/19/2015

- Phantom: SAM 1340; Type: QD 000 P40 CB; Serial: TP-1340

- Measurement SW: DASY4, V4.7 Build 80; Postprocessing SW: SEMCAD, V1.8 Build 186

**Body Worn/Area Scan (8x12x1):** Measurement grid: dx=15mm, dy=15mm

Maximum value of SAR (measured) = 0.876 mW/g

**Body Worn/Zoom Scan (7x7x7)/Cube 0:** Measurement grid: dx=5mm, dy=5mm, dz=5mm

Reference Value = 3.18 V/m; Power Drift = 0.057 dB

Peak SAR (extrapolated) = 2.28 W/kg

**SAR(1 g) = 0.969 mW/g; SAR(10 g) = 0.367 mW/g**

Maximum value of SAR (measured) = 1.15 mW/g

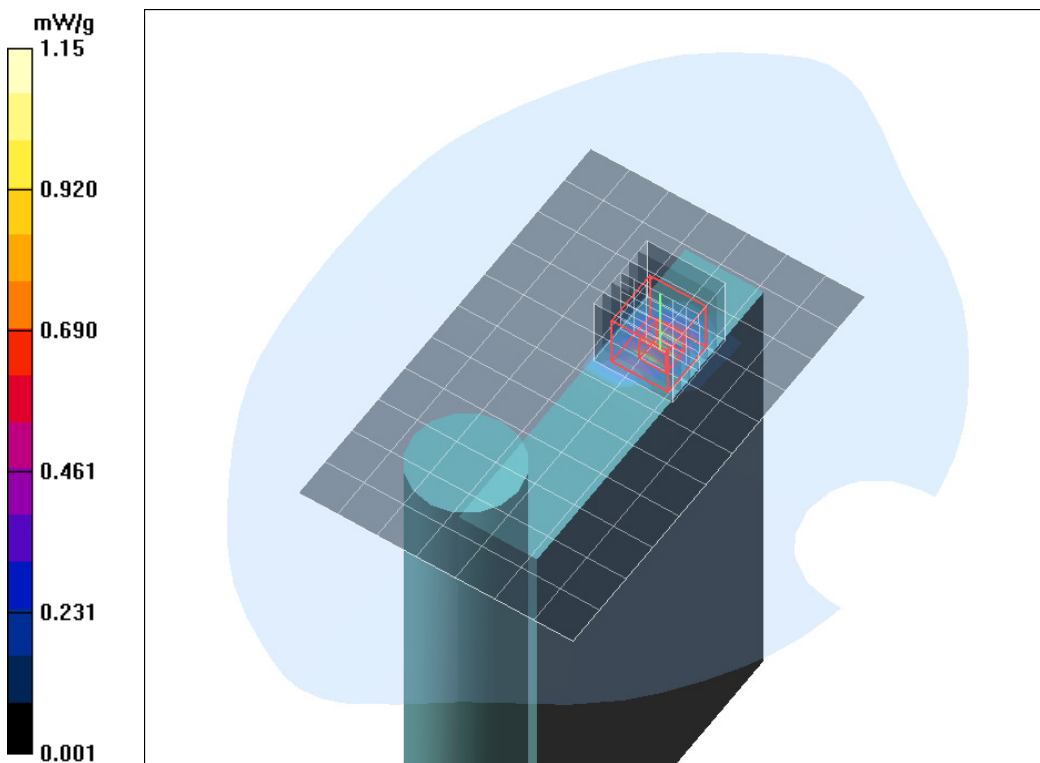


Fig. 30: SAR distribution for IEEE 802.11b (2.4GHz), 1Mbit/s, channel 1, right side, 0 mm.

**Test Laboratory: IMST GmbH, DASY Yellow (II); File Name:**  
[MT60\\_608\\_y\\_wlan\\_b\\_ch1\\_right\\_cover\\_0mm\\_pwl15\\_wh.da4](#)

**DUT: S&B; Type: FareGo Move MT60; Serial: 357784044015608**  
**Program Name: IEEE 802.11 b**

Communication System: WLAN 2450; Frequency: 2412 MHz; Duty Cycle: 1:1  
 Medium parameters used:  $f = 2412$  MHz;  $\sigma = 1.9$  mho/m;  $\epsilon_r = 52.5$ ;  $\rho = 1000$  kg/m<sup>3</sup>  
 Phantom section: Flat Section

DASY4 Configuration:

- Probe: EX3DV4 - SN3860; ConvF(7.52, 7.52, 7.52); Calibrated: 9/18/2015
- Sensor-Surface: 4mm (Mechanical Surface Detection)
- Electronics: DAE3 Sn335; Calibrated: 2/19/2015
- Phantom: SAM 1340; Type: QD 000 P40 CB; Serial: TP-1340
- Measurement SW: DASY4, V4.7 Build 80; Postprocessing SW: SEMCAD, V1.8 Build 186

**Body Worn/Area Scan (8x12x1):** Measurement grid: dx=15mm, dy=15mm

Maximum value of SAR (measured) = 0.969 mW/g

**Body Worn/Zoom Scan (7x7x7)/Cube 0:** Measurement grid: dx=5mm, dy=5mm, dz=5mm

Reference Value = 2.13 V/m; Power Drift = 0.033 dB

Peak SAR (extrapolated) = 2.41 W/kg

**SAR(1 g) = 0.997 mW/g; SAR(10 g) = 0.372 mW/g**

Maximum value of SAR (measured) = 1.19 mW/g

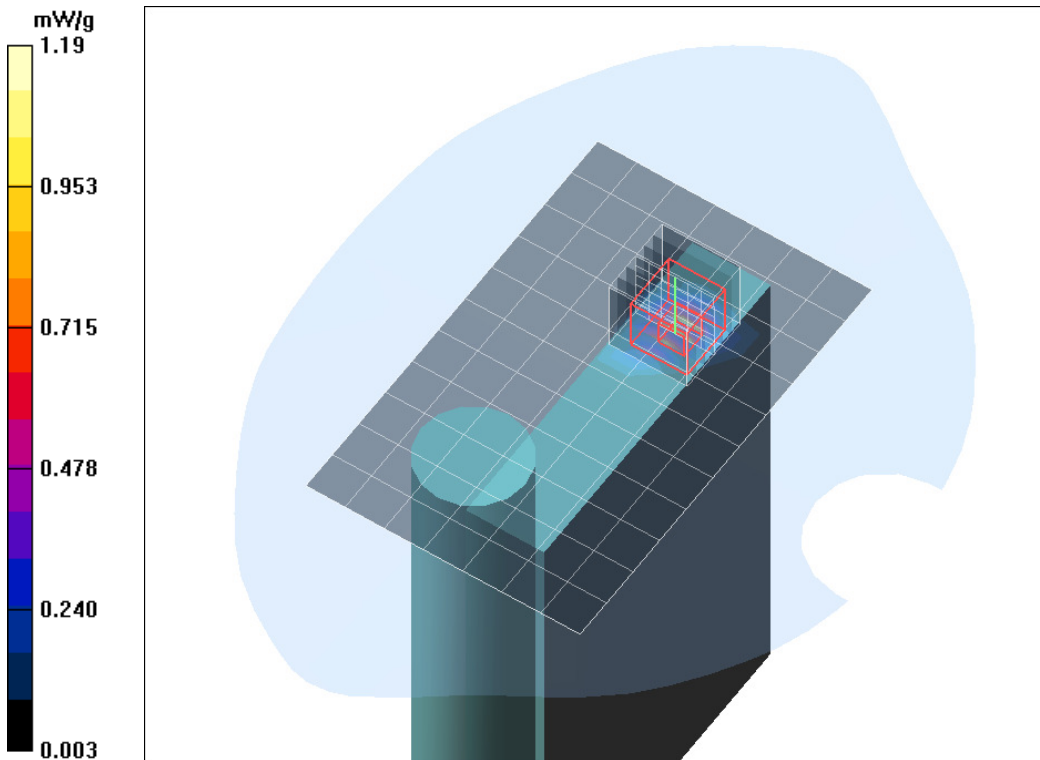


Fig. 31: Measurement Variability for IEEE 802.11b (2.4GHz), 1Mbit/s, channel 1, right side, 0 mm.



**Test Laboratory: IMST GmbH, DASY Yellow (II); File Name:**

[MT60\\_608\\_y\\_wlan\\_b\\_ch11\\_right\\_cover\\_0mm\\_pwl15.da4](#)

**DUT: S&B; Type: FareGo Move MT60; Serial: 357784044015608**

**Program Name: IEEE 802.11 b**

Communication System: WLAN 2450; Frequency: 2462 MHz; Duty Cycle: 1:1

Medium parameters used:  $f = 2462$  MHz;  $\sigma = 1.99$  mho/m;  $\epsilon_r = 52.2$ ;  $\rho = 1000$  kg/m<sup>3</sup>

Phantom section: Flat Section

DASY4 Configuration:

- Probe: EX3DV4 - SN3860; ConvF(7.52, 7.52, 7.52); Calibrated: 9/18/2015

- Sensor-Surface: 4mm (Mechanical Surface Detection)

- Electronics: DAE3 Sn335; Calibrated: 2/19/2015

- Phantom: SAM 1340; Type: QD 000 P40 CB; Serial: TP-1340

- Measurement SW: DASY4, V4.7 Build 80; Postprocessing SW: SEMCAD, V1.8 Build 186

**Body Worn/Area Scan (8x12x1):** Measurement grid: dx=15mm, dy=15mm

Maximum value of SAR (measured) = 0.694 mW/g

**Body Worn/Zoom Scan (7x7x7)/Cube 0:** Measurement grid: dx=5mm, dy=5mm, dz=5mm

Reference Value = 2.92 V/m; Power Drift = 0.191 dB

Peak SAR (extrapolated) = 1.74 W/kg

**SAR(1 g) = 0.675 mW/g; SAR(10 g) = 0.242 mW/g**

Maximum value of SAR (measured) = 0.792 mW/g

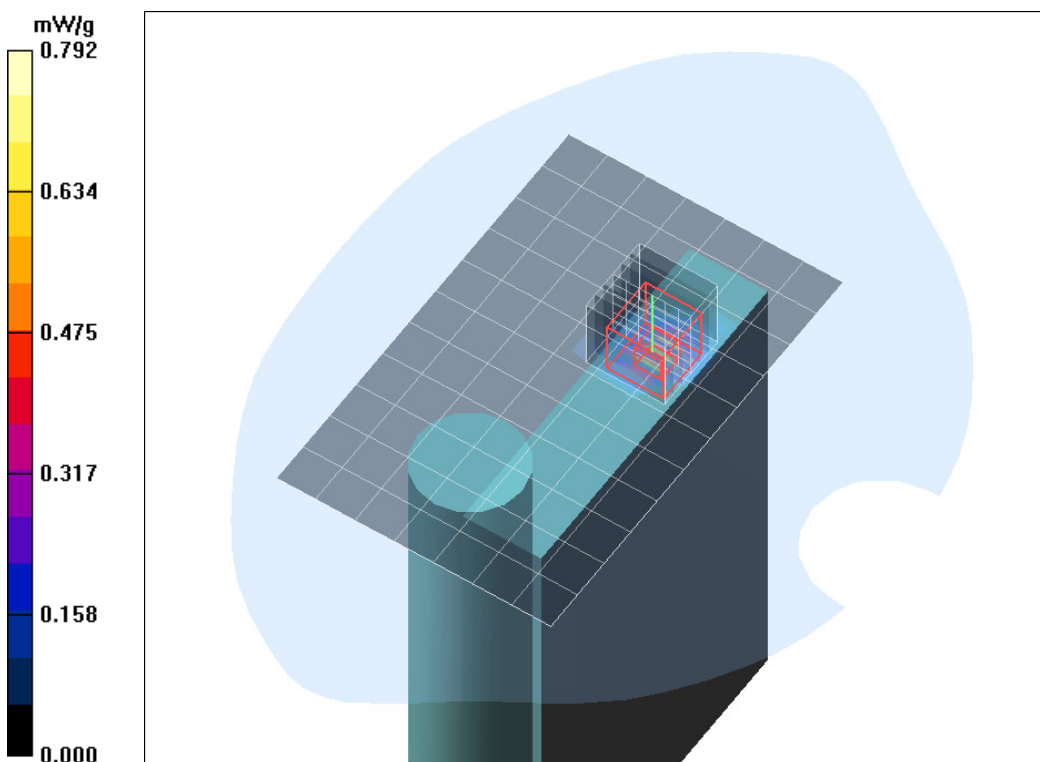


Fig. 32: SAR distribution for IEEE 802.11b (2.4GHz), 1Mbit/s, channel 11, right side, 0 mm.

## 1.7 SAR Distribution Plots IEEE 802.11g (2.4 GHz)

Test Laboratory: IMST GmbH, DASY Yellow (II); File Name:  
[MT60\\_608\\_y\\_wlan\\_g\\_ch6\\_right\\_cover\\_0mm\\_pwl15.da4](#)

DUT: S&B; Type: FareGo Move MT60; Serial: 357784044015608  
 Program Name: IEEE 802.11 b

Communication System: WLAN 2450; Frequency: 2437 MHz; Duty Cycle: 1:1  
 Medium parameters used:  $f = 2437$  MHz;  $\sigma = 1.95$  mho/m;  $\epsilon_r = 52.3$ ;  $\rho = 1000$  kg/m<sup>3</sup>  
 Phantom section: Flat Section

DASY4 Configuration:

- Probe: EX3DV4 - SN3860; ConvF(7.52, 7.52, 7.52); Calibrated: 9/18/2015
- Sensor-Surface: 4mm (Mechanical Surface Detection)
- Electronics: DAE3 Sn335; Calibrated: 2/19/2015
- Phantom: SAM 1340; Type: QD 000 P40 CB; Serial: TP-1340
- Measurement SW: DASY4, V4.7 Build 80; Postprocessing SW: SEMCAD, V1.8 Build 186

**Body Worn/Area Scan (8x12x1):** Measurement grid: dx=15mm, dy=15mm

Maximum value of SAR (measured) = 0.803 mW/g

**Body Worn/Zoom Scan (7x7x7)/Cube 0:** Measurement grid: dx=5mm, dy=5mm, dz=5mm

Reference Value = 4.18 V/m; Power Drift = 0.160 dB

Peak SAR (extrapolated) = 1.97 W/kg

**SAR(1 g) = 0.852 mW/g; SAR(10 g) = 0.326 mW/g**

Maximum value of SAR (measured) = 1.02 mW/g

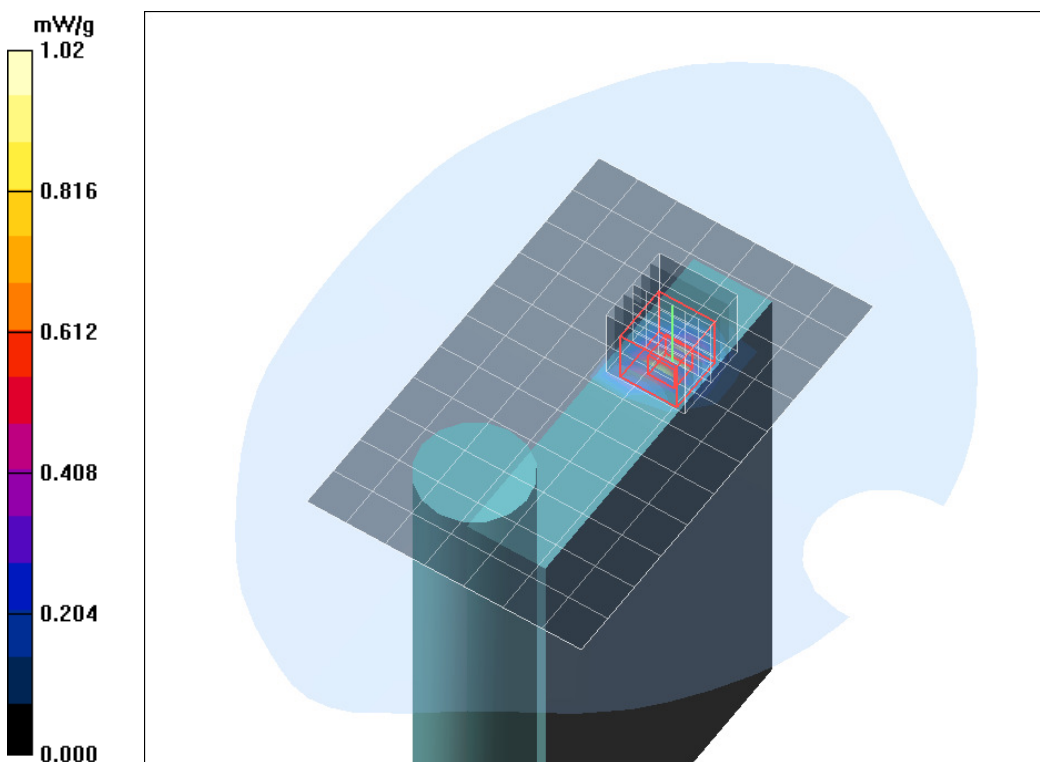


Fig. 33: SAR distribution for IEEE 802.11g (2.4GHz), 1Mbit/s, channel 6, right side, 0 mm.

Test Laboratory: IMST GmbH, DASY Yellow (II); File Name:

[MT60\\_608\\_y\\_wlan\\_g\\_ch6\\_back\\_cover\\_0mm\\_pwl15.da4](#)

DUT: S&B; Type: FareGo Move MT60; Serial: 357784044015608

Program Name: IEEE 802.11 b

Communication System: WLAN 2450; Frequency: 2437 MHz; Duty Cycle: 1:1

Medium parameters used:  $f = 2437$  MHz;  $\sigma = 1.95$  mho/m;  $\epsilon_r = 52.3$ ;  $\rho = 1000$  kg/m<sup>3</sup>

Phantom section: Flat Section

DASY4 Configuration:

- Probe: EX3DV4 - SN3860; ConvF(7.52, 7.52, 7.52); Calibrated: 9/18/2015

- Sensor-Surface: 4mm (Mechanical Surface Detection)

- Electronics: DAE3 Sn335; Calibrated: 2/19/2015

- Phantom: SAM 1340; Type: QD 000 P40 CB; Serial: TP-1340

- Measurement SW: DASY4, V4.7 Build 80; Postprocessing SW: SEMCAD, V1.8 Build 186

**Body Worn/Area Scan (11x10x1):** Measurement grid: dx=15mm, dy=15mm

Maximum value of SAR (measured) = 0.026 mW/g

**Body Worn/Zoom Scan (7x7x7)/Cube 0:** Measurement grid: dx=5mm, dy=5mm, dz=5mm

Reference Value = 1.19 V/m; Power Drift = -0.009 dB

Peak SAR (extrapolated) = 0.038 W/kg

**SAR(1 g) = 0.019 mW/g; SAR(10 g) = 0.00826 mW/g**

Maximum value of SAR (measured) = 0.024 mW/g

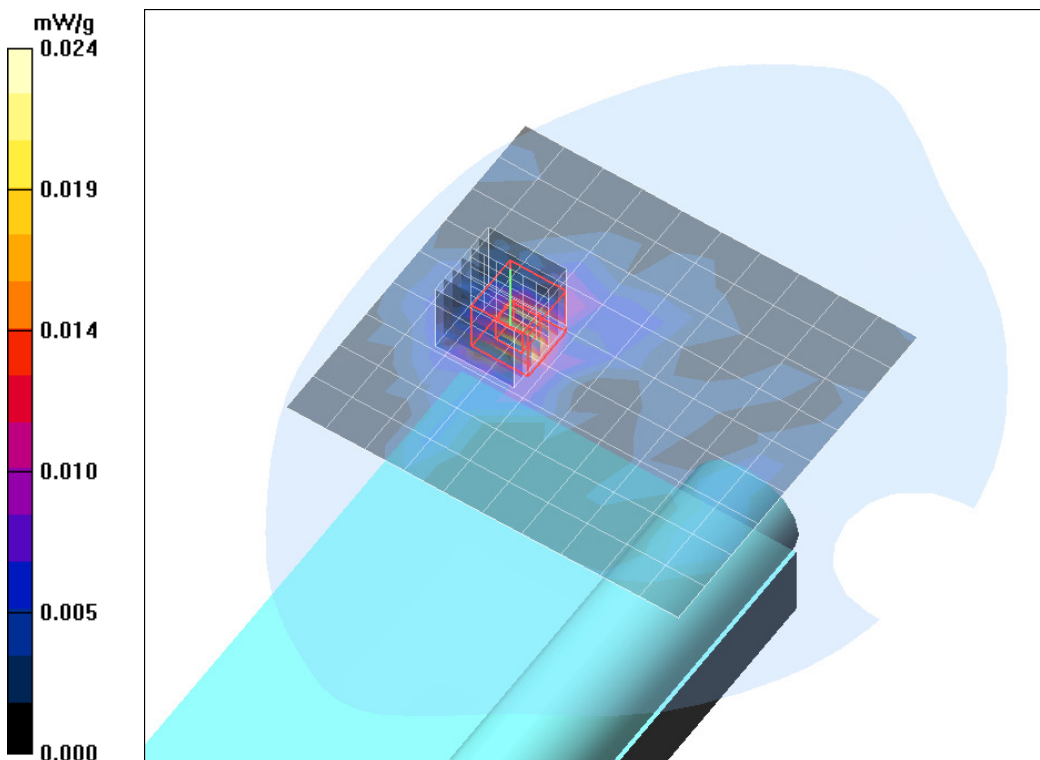


Fig. 34: SAR distribution for IEEE 802.11g (2.4GHz), 1Mbit/s, channel 6, back side, 0 mm.

Test Laboratory: IMST GmbH, DASY Yellow (II); File Name:

[MT60\\_608\\_y\\_wlan\\_g\\_ch11\\_right\\_cover\\_0mm\\_pwl15.da4](#)

DUT: S&B; Type: FareGo Move MT60; Serial: 357784044015608

Program Name: IEEE 802.11 b

Communication System: WLAN 2450; Frequency: 2462 MHz; Duty Cycle: 1:1

Medium parameters used:  $f = 2462$  MHz;  $\sigma = 1.99$  mho/m;  $\epsilon_r = 52.2$ ;  $\rho = 1000$  kg/m<sup>3</sup>

Phantom section: Flat Section

DASY4 Configuration:

- Probe: EX3DV4 - SN3860; ConvF(7.52, 7.52, 7.52); Calibrated: 9/18/2015

- Sensor-Surface: 4mm (Mechanical Surface Detection)

- Electronics: DAE3 Sn335; Calibrated: 2/19/2015

- Phantom: SAM 1340; Type: QD 000 P40 CB; Serial: TP-1340

- Measurement SW: DASY4, V4.7 Build 80; Postprocessing SW: SEMCAD, V1.8 Build 186

**Body Worn/Area Scan (8x12x1):** Measurement grid: dx=15mm, dy=15mm

Maximum value of SAR (measured) = 0.633 mW/g

**Body Worn/Zoom Scan (7x7x7)/Cube 0:** Measurement grid: dx=5mm, dy=5mm, dz=5mm

Reference Value = 4.23 V/m; Power Drift = 0.009 dB

Peak SAR (extrapolated) = 1.56 W/kg

**SAR(1 g) = 0.674 mW/g; SAR(10 g) = 0.258 mW/g**

Maximum value of SAR (measured) = 0.794 mW/g

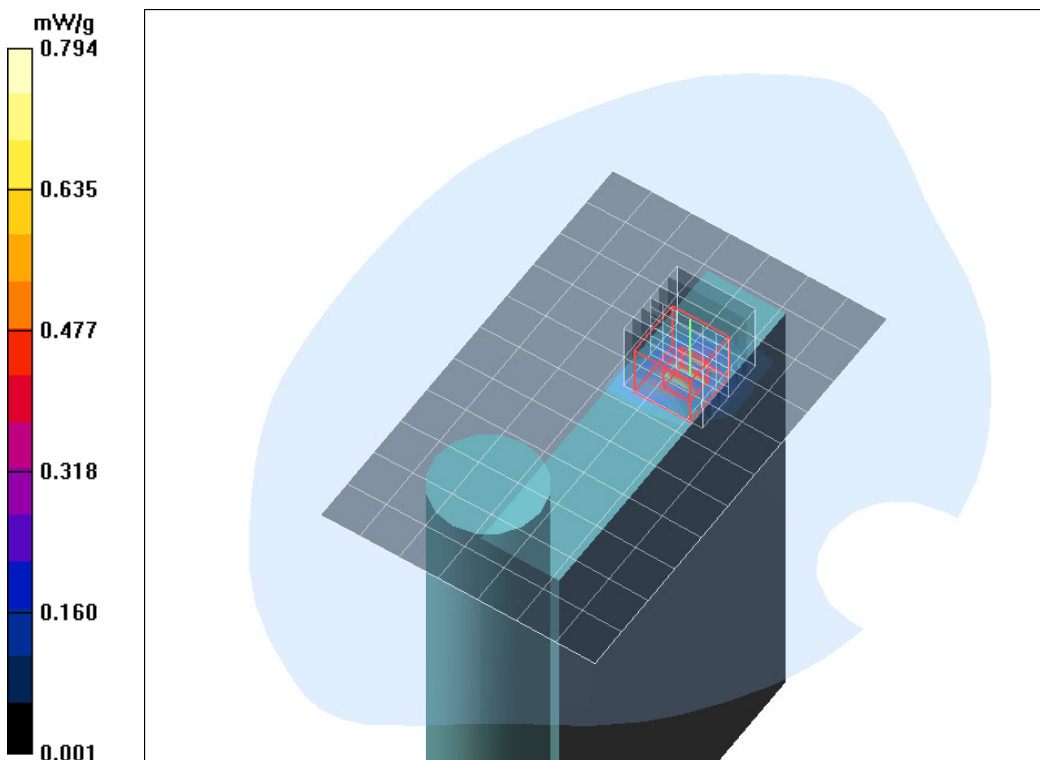


Fig. 35: SAR distribution for IEEE 802.11g (2.4GHz), 1Mbit/s, channel 11, right side, 0 mm.

## 1.8 SAR Distribution Plots IEEE 802.11a (5.2 GHz)

Test Laboratory: IMST GmbH, DASY Blue (I); File Name:

[MT60\\_608\\_b\\_wf\\_a\\_ch64\\_right\\_cover\\_0mm\\_pwl11.da4](#)

DUT: S&B; Type: FareGo Move MT60; Serial: 357784044015608

Program Name: IEEE 802.11 a

Communication System: 5 GHz ; Frequency: 5320 MHz;Duty Cycle: 1:1

Medium parameters used:  $f = 5320$  MHz;  $\sigma = 5.25$  mho/m;  $\epsilon_r = 49.2$ ;  $\rho = 1000$  kg/m<sup>3</sup>

Phantom section: Flat Section

DASY4 Configuration:

- Probe: EX3DV4 - SN3860; ConvF(4.28, 4.28, 4.28); Calibrated: 18.09.2015

- Sensor-Surface: 2mm (Mechanical Surface Detection)

- Electronics: DAE3 Sn335; Calibrated: 19.02.2015

- Phantom: SAM Glycol 1176; Type: Speag; Serial: 1176

- Measurement SW: DASY4, V4.7 Build 80; Postprocessing SW: SEMCAD, V1.8 Build 186

**Body/Area Scan (6x16x1):** Measurement grid: dx=10mm, dy=10mm

Maximum value of SAR (measured) = 1.41 mW/g

**Body/Zoom Scan (8x8x13)/Cube 0:** Measurement grid: dx=4mm, dy=4mm, dz=2mm

Reference Value = 14.6 V/m; Power Drift = 0.180 dB

Peak SAR (extrapolated) = 3.45 W/kg

**SAR(1 g) = 0.933 mW/g; SAR(10 g) = 0.251 mW/g**

Maximum value of SAR (measured) = 1.87 mW/g

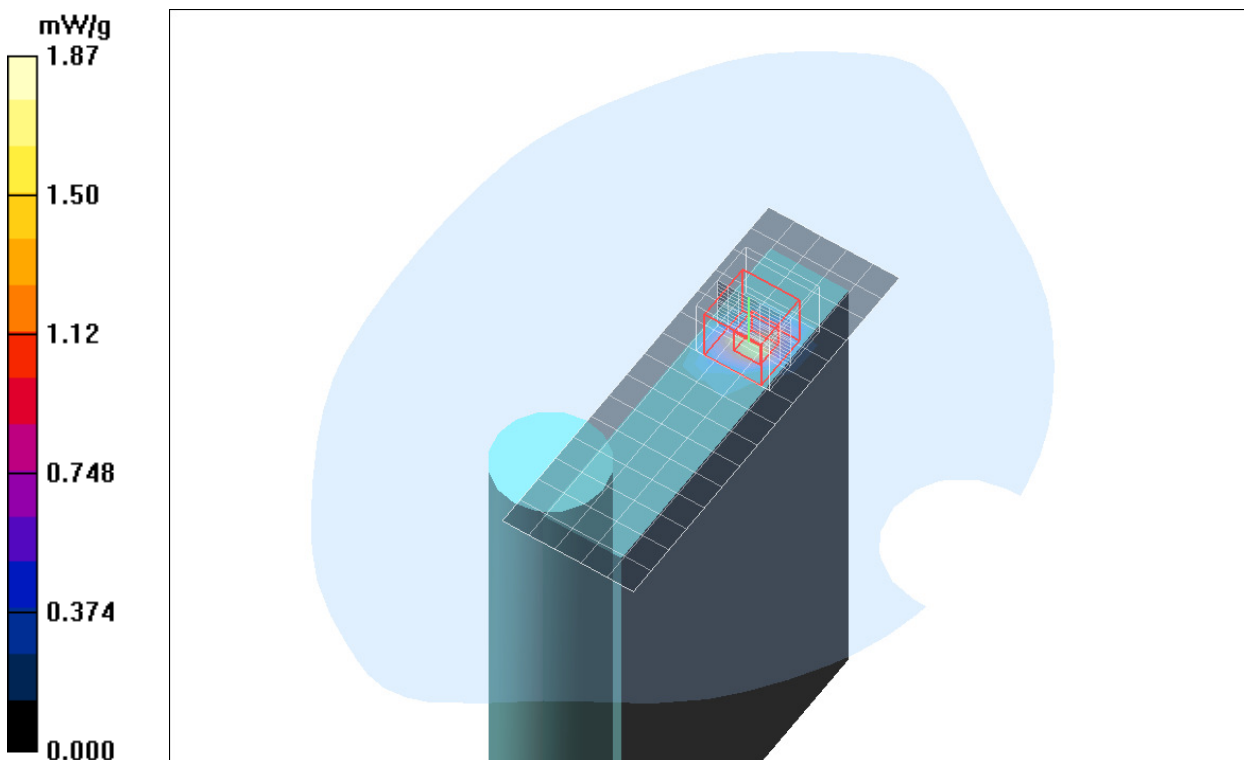


Fig. 36: SAR distribution for IEEE 802.11a (5.2GHz), 6Mbit/s, channel 64, right side, 0 mm.

Test Laboratory: IMST GmbH, DASY Blue (I); File Name:

[MT60\\_608\\_b\\_wf\\_a\\_ch64\\_right\\_cover\\_0mm\\_pwl11\\_mv.da4](#)

DUT: S&B; Type: FareGo Move MT60; Serial: 357784044015608

Program Name: IEEE 802.11 a

Communication System: 5 GHz ; Frequency: 5320 MHz;Duty Cycle: 1:1

Medium parameters used:  $f = 5320$  MHz;  $\sigma = 5.25$  mho/m;  $\epsilon_r = 49.2$ ;  $\rho = 1000$  kg/m<sup>3</sup>

Phantom section: Flat Section

DASY4 Configuration:

- Probe: EX3DV4 - SN3860; ConvF(4.28, 4.28, 4.28); Calibrated: 18.09.2015

- Sensor-Surface: 2mm (Mechanical Surface Detection)

- Electronics: DAE3 Sn335; Calibrated: 19.02.2015

- Phantom: SAM Glycol 1176; Type: Speag; Serial: 1176

- Measurement SW: DASY4, V4.7 Build 80; Postprocessing SW: SEMCAD, V1.8 Build 186

**Body/Area Scan (6x9x1):** Measurement grid: dx=10mm, dy=10mm

Maximum value of SAR (measured) = 1.52 mW/g

**Body/Zoom Scan (8x8x13)/Cube 0:** Measurement grid: dx=4mm, dy=4mm, dz=2mm

Reference Value = 14.5 V/m; Power Drift = -0.142 dB

Peak SAR (extrapolated) = 3.83 W/kg

**SAR(1 g) = 0.955 mW/g; SAR(10 g) = 0.258 mW/g**

Maximum value of SAR (measured) = 1.93 mW/g

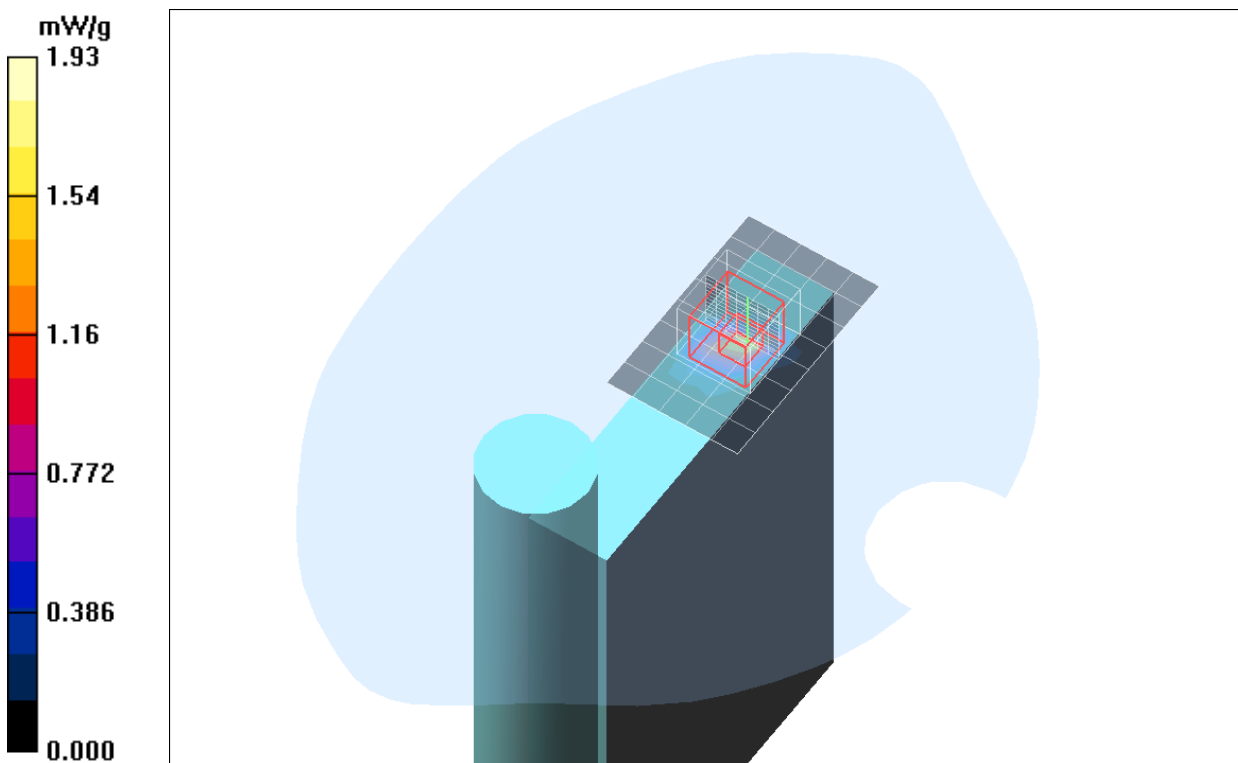


Fig. 37: Measurement Variability for IEEE 802.11a (5.2GHz), 6Mbit/s, channel 64, right side, 0 mm.

Test Laboratory: IMST GmbH, DASY Blue (I); File Name:

[MT60\\_608\\_b\\_wf\\_a\\_ch60\\_right\\_cover\\_0mm\\_pwl11.da4](#)

DUT: S&B; Type: FareGo Move MT60; Serial: 357784044015608

Program Name: IEEE 802.11 a

Communication System: 5 GHz ; Frequency: 5300 MHz;Duty Cycle: 1:1

Medium parameters used:  $f = 5300$  MHz;  $\sigma = 5.24$  mho/m;  $\epsilon_r = 49.3$ ;  $\rho = 1000$  kg/m<sup>3</sup>

Phantom section: Flat Section

DASY4 Configuration:

- Probe: EX3DV4 - SN3860; ConvF(4.28, 4.28, 4.28); Calibrated: 18.09.2015

- Sensor-Surface: 2mm (Mechanical Surface Detection)

- Electronics: DAE3 Sn335; Calibrated: 19.02.2015

- Phantom: SAM Glycol 1176; Type: Speag; Serial: 1176

- Measurement SW: DASY4, V4.7 Build 80; Postprocessing SW: SEMCAD, V1.8 Build 186

**Body/Area Scan (6x9x1):** Measurement grid: dx=10mm, dy=10mm

Maximum value of SAR (measured) = 1.41 mW/g

**Body/Zoom Scan (8x8x13)/Cube 0:** Measurement grid: dx=4mm, dy=4mm, dz=2mm

Reference Value = 18.2 V/m; Power Drift = 0.105 dB

Peak SAR (extrapolated) = 3.46 W/kg

**SAR(1 g) = 0.847 mW/g; SAR(10 g) = 0.230 mW/g**

Maximum value of SAR (measured) = 1.71 mW/g

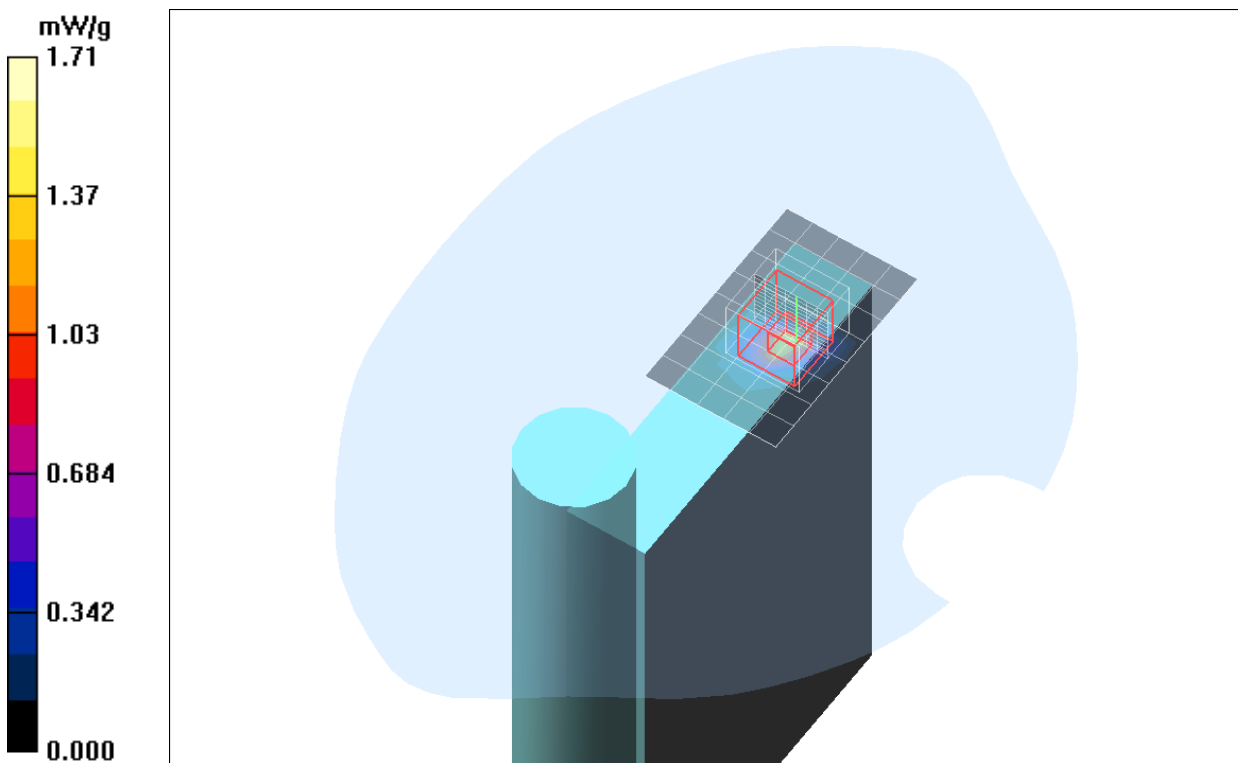


Fig. 38: SAR distribution for IEEE 802.11a (5.2GHz), 6Mbit/s, channel 60, right side, 0 mm.

## 1.9 SAR Distribution Plots IEEE 802.11a (5.6 GHz)

Test Laboratory: IMST GmbH, DASY Blue (I); File Name:  
[MT60\\_608\\_b\\_wf\\_a\\_ch128\\_right\\_cover\\_0mm\\_pwl12.da4](#)

DUT: S&B; Type: FareGo Move MT60; Serial: 357784044015608  
 Program Name: IEEE 802.11 a

Communication System: 5 GHz ; Frequency: 5640 MHz;Duty Cycle: 1:1  
 Medium parameters used:  $f = 5640$  MHz;  $\sigma = 5.82$  mho/m;  $\epsilon_r = 48.2$ ;  $\rho = 1000$  kg/m<sup>3</sup>  
 Phantom section: Flat Section

DASY4 Configuration:

- Probe: EX3DV4 - SN3860; ConvF(3.64, 3.64, 3.64); Calibrated: 18.09.2015
- Sensor-Surface: 2mm (Mechanical Surface Detection)
- Electronics: DAE3 Sn335; Calibrated: 19.02.2015
- Phantom: SAM Glycol 1176; Type: Speag; Serial: 1176
- Measurement SW: DASY4, V4.7 Build 80; Postprocessing SW: SEMCAD, V1.8 Build 186

**Body/Area Scan (6x9x1):** Measurement grid: dx=10mm, dy=10mm

Maximum value of SAR (measured) = 1.59 mW/g

**Body/Zoom Scan (8x8x13)/Cube 0:** Measurement grid: dx=4mm, dy=4mm, dz=2mm

Reference Value = 12.8 V/m; Power Drift = -0.074 dB

Peak SAR (extrapolated) = 3.34 W/kg

**SAR(1 g) = 0.813 mW/g; SAR(10 g) = 0.226 mW/g**

Maximum value of SAR (measured) = 1.68 mW/g

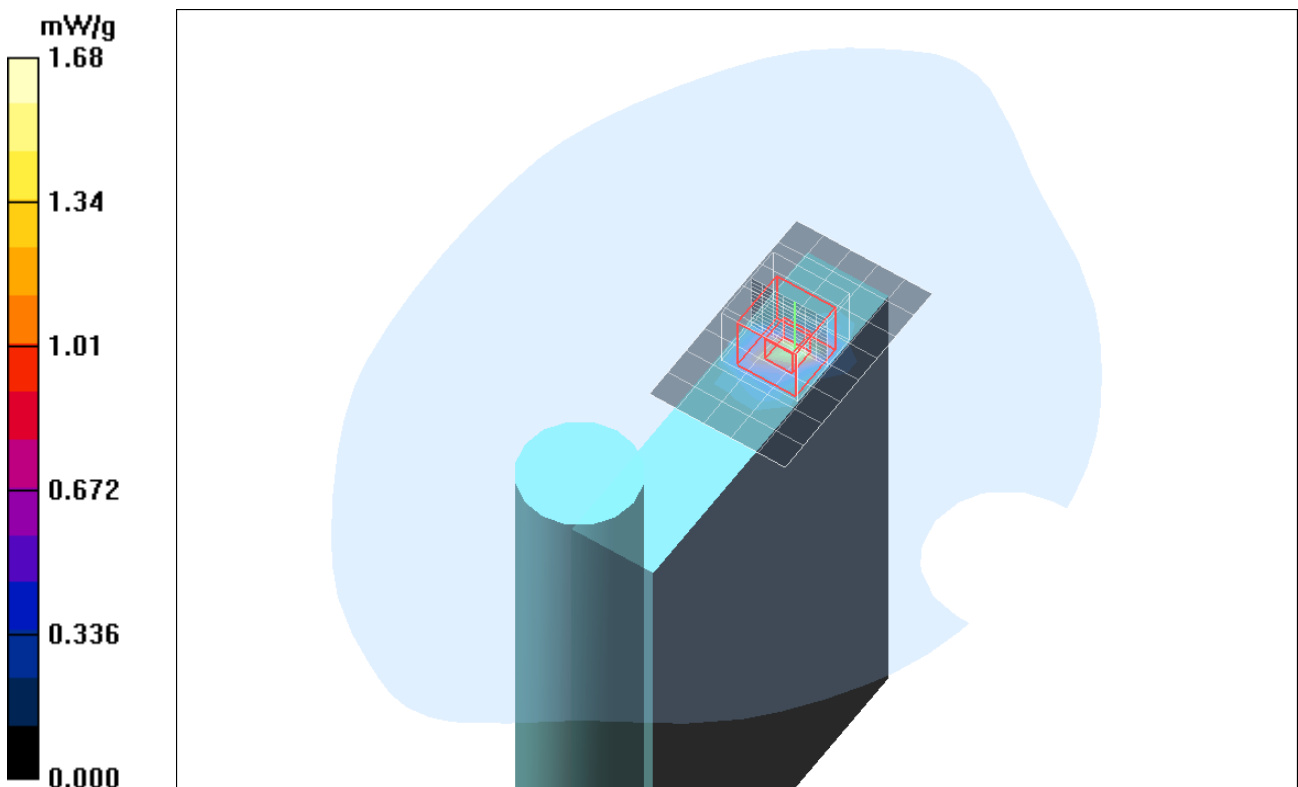


Fig. 39: SAR distribution for IEEE 802.11a (5.6GHz), 6Mbit/s, 128, right side, 0 mm.



**Test Laboratory: IMST GmbH, DASY Blue (I); File Name:**  
[MT60\\_608\\_b\\_wf\\_a\\_ch128\\_right\\_cover\\_0mm\\_pwl12\\_mv.da4](#)

**DUT: S&B; Type: FareGo Move MT60; Serial: 357784044015608**  
**Program Name: IEEE 802.11 a**

Communication System: 5 GHz ; Frequency: 5640 MHz;Duty Cycle: 1:1  
 Medium parameters used:  $f = 5640$  MHz;  $\sigma = 5.82$  mho/m;  $\epsilon_r = 48.2$ ;  $\rho = 1000$  kg/m<sup>3</sup>  
 Phantom section: Flat Section

DASY4 Configuration:

- Probe: EX3DV4 - SN3860; ConvF(3.64, 3.64, 3.64); Calibrated: 18.09.2015
- Sensor-Surface: 2mm (Mechanical Surface Detection)
- Electronics: DAE3 Sn335; Calibrated: 19.02.2015
- Phantom: SAM Glycol 1176; Type: Speag; Serial: 1176
- Measurement SW: DASY4, V4.7 Build 80; Postprocessing SW: SEMCAD, V1.8 Build 186

**Body/Area Scan (6x9x1):** Measurement grid: dx=10mm, dy=10mm

Maximum value of SAR (measured) = 1.50 mW/g

**Body/Zoom Scan (8x8x13)/Cube 0:** Measurement grid: dx=4mm, dy=4mm, dz=2mm

Reference Value = 13.9 V/m; Power Drift = 0.145 dB

Peak SAR (extrapolated) = 3.46 W/kg

**SAR(1 g) = 0.907 mW/g; SAR(10 g) = 0.249 mW/g**

Maximum value of SAR (measured) = 1.89 mW/g

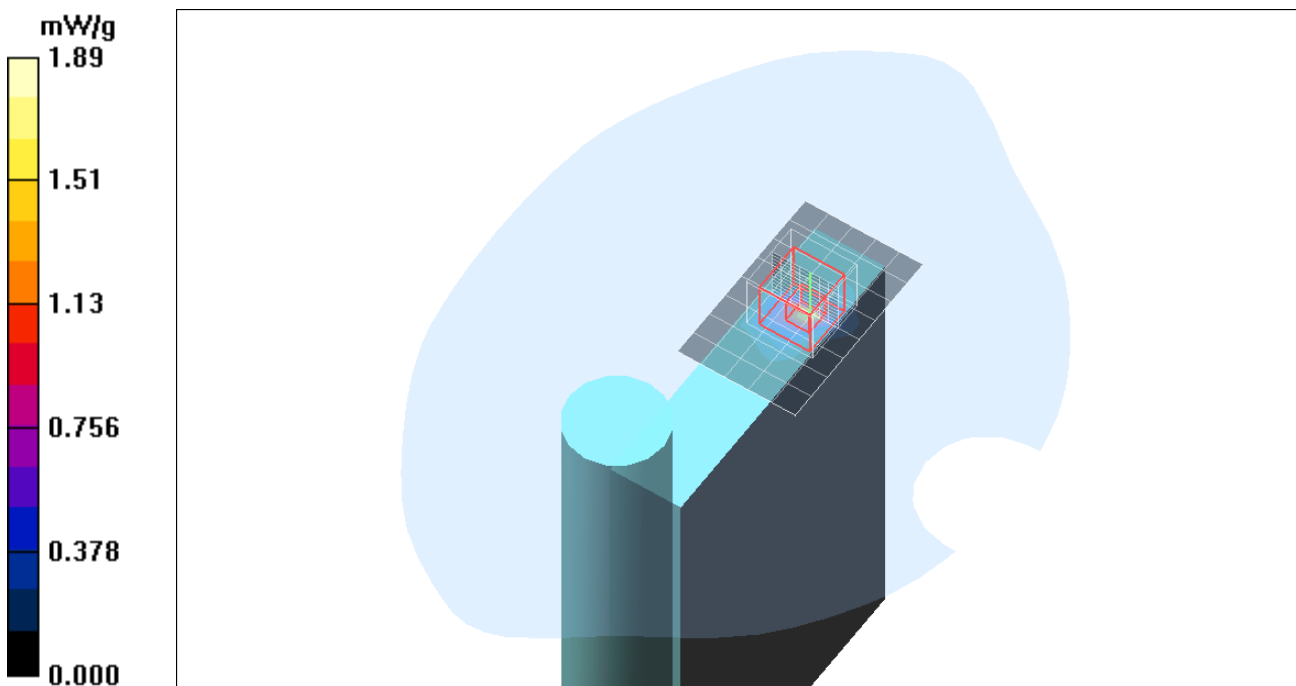


Fig. 40: Measurement Variability for IEEE 802.11a (5.6GHz), 6Mbit/s, channel 128, right side, 0 mm.

**Test Laboratory: IMST GmbH, DASY Blue (I); File Name:**  
[MT60\\_608\\_b\\_wf\\_a\\_ch116\\_right\\_cover\\_0mm\\_pwl12.da4](#)

**DUT: S&B; Type: FareGo Move MT60; Serial: 357784044015608**  
**Program Name: IEEE 802.11 a**

Communication System: 5 GHz ; Frequency: 5580 MHz;Duty Cycle: 1:1  
 Medium parameters used:  $f = 5580$  MHz;  $\sigma = 5.74$  mho/m;  $\epsilon_r = 48.6$ ;  $\rho = 1000$  kg/m<sup>3</sup>  
 Phantom section: Flat Section

DASY4 Configuration:

- Probe: EX3DV4 - SN3860; ConvF(3.64, 3.64, 3.64); Calibrated: 18.09.2015
- Sensor-Surface: 2mm (Mechanical Surface Detection)
- Electronics: DAE3 Sn335; Calibrated: 19.02.2015
- Phantom: SAM Glycol 1176; Type: Speag; Serial: 1176
- Measurement SW: DASY4, V4.7 Build 80; Postprocessing SW: SEMCAD, V1.8 Build 186

**Body/Area Scan (6x9x1):** Measurement grid: dx=10mm, dy=10mm

Maximum value of SAR (measured) = 1.57 mW/g

**Body/Zoom Scan (8x8x13)/Cube 0:** Measurement grid: dx=4mm, dy=4mm, dz=2mm

Reference Value = 13.2 V/m; Power Drift = 0.053 dB

Peak SAR (extrapolated) = 2.86 W/kg

**SAR(1 g) = 0.713 mW/g; SAR(10 g) = 0.195 mW/g**

Maximum value of SAR (measured) = 1.55 mW/g

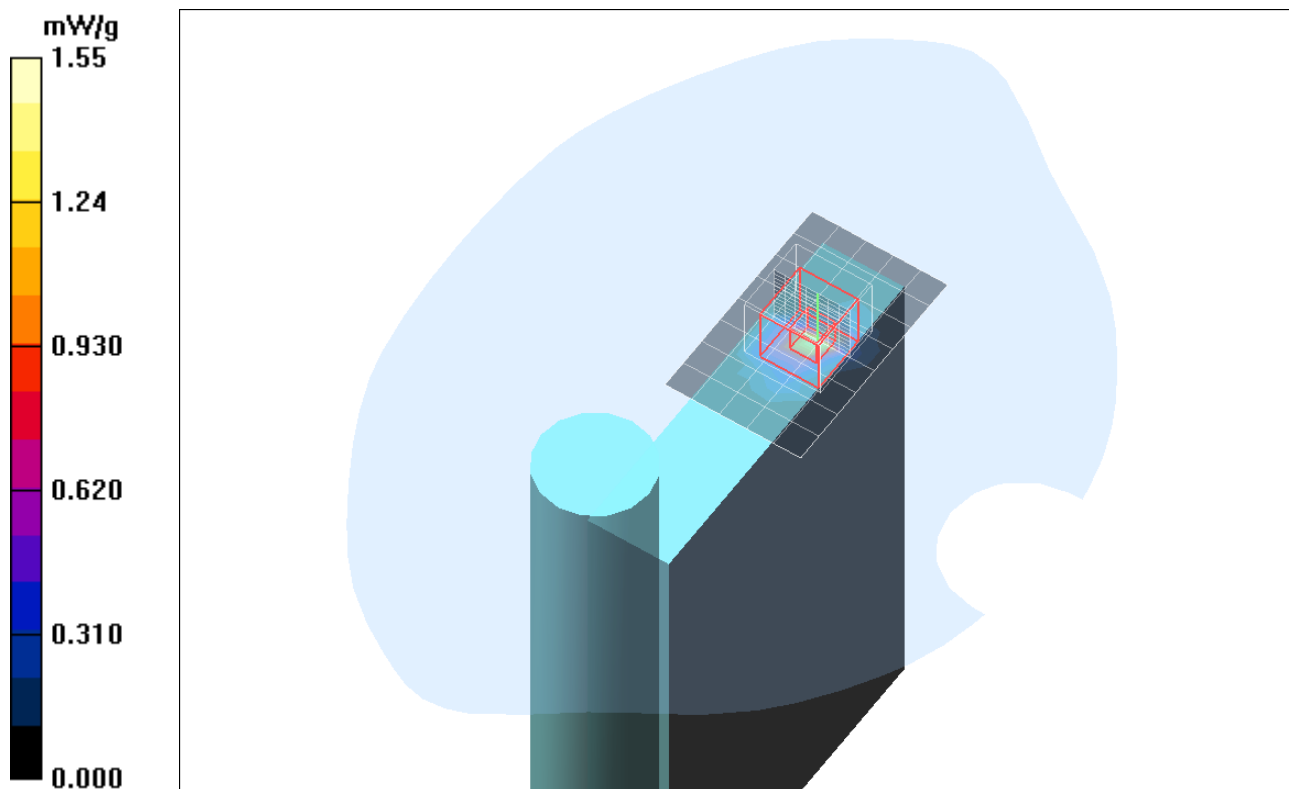


Fig. 41: SAR distribution for IEEE 802.11a (5.6GHz), 6Mbit/s, channel 116, right side, 0 mm.

## 1.10 SAR Distribution Plots IEEE 802.11a (5.8 GHz)

Test Laboratory: IMST GmbH, DASY Blue (I); File Name:  
[MT60\\_608\\_b\\_wf\\_a\\_ch132\\_right\\_cover\\_0mm\\_pwl12.da4](#)

DUT: S&B; Type: FareGo Move MT60; Serial: 357784044015608  
 Program Name: IEEE 802.11 a

Communication System: 5 GHz ; Frequency: 5660 MHz;Duty Cycle: 1:1  
 Medium parameters used:  $f = 5660$  MHz;  $\sigma = 5.86$  mho/m;  $\epsilon_r = 48.6$ ;  $\rho = 1000$  kg/m<sup>3</sup>  
 Phantom section: Flat Section

DASY4 Configuration:

- Probe: EX3DV4 - SN3860; ConvF(3.64, 3.64, 3.64); Calibrated: 18.09.2015
- Sensor-Surface: 2mm (Mechanical Surface Detection)
- Electronics: DAE3 Sn335; Calibrated: 19.02.2015
- Phantom: SAM Glycol 1176; Type: Speag; Serial: 1176
- Measurement SW: DASY4, V4.7 Build 80; Postprocessing SW: SEMCAD, V1.8 Build 186

**Body/Area Scan (6x9x1):** Measurement grid: dx=10mm, dy=10mm

Maximum value of SAR (measured) = 1.43 mW/g

**Body/Zoom Scan (8x8x13)/Cube 0:** Measurement grid: dx=4mm, dy=4mm, dz=2mm

Reference Value = 12.7 V/m; Power Drift = 0.093 dB

Peak SAR (extrapolated) = 3.02 W/kg

**SAR(1 g) = 0.654 mW/g; SAR(10 g) = 0.180 mW/g**

Maximum value of SAR (measured) = 1.37 mW/g

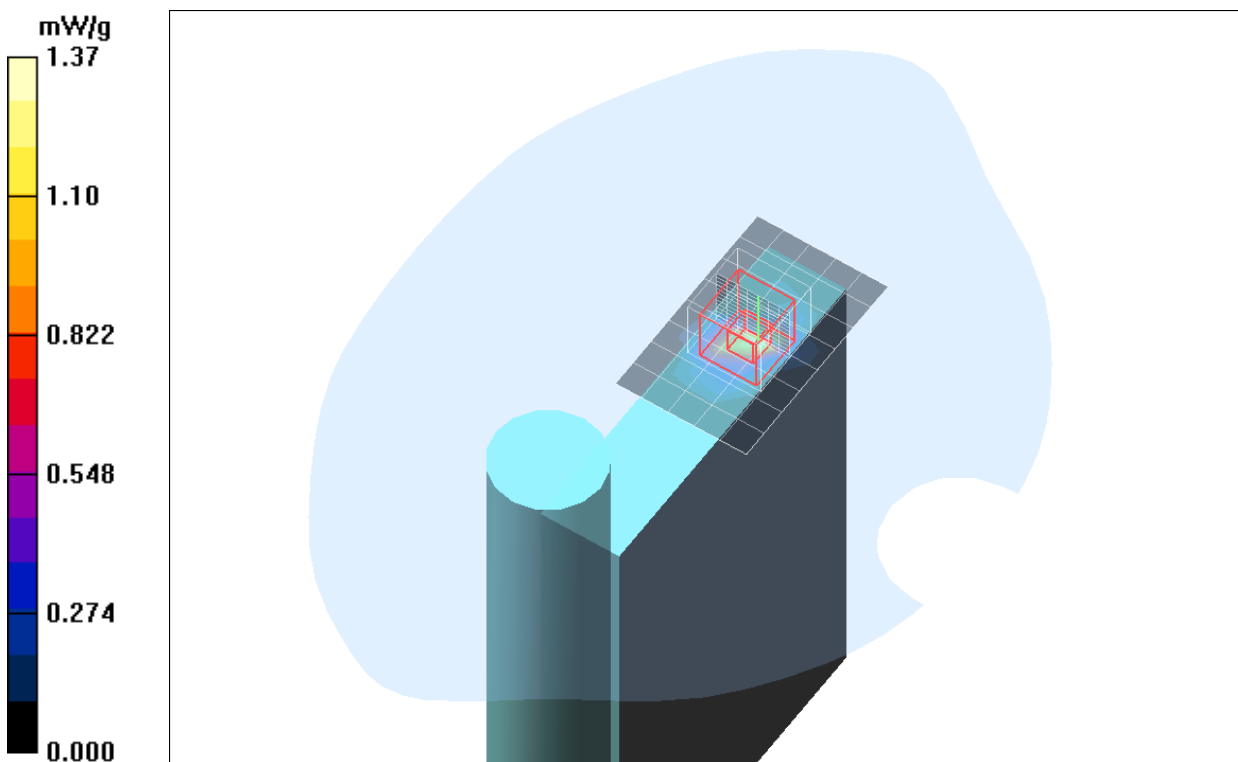


Fig. 42: SAR distribution for IEEE 802.11a (5.8GHz), 6Mbit/s, channel 132, right side, 0 mm.

Test Laboratory: IMST GmbH, DASY Blue (I); File Name:

[MT60\\_608\\_b\\_wf\\_a\\_ch149\\_right\\_cover\\_0mm\\_pwl12.da4](#)

DUT: S&B; Type: FareGo Move MT60; Serial: 357784044015608

Program Name: IEEE 802.11 a

Communication System: 5 GHz ; Frequency: 5745 MHz;Duty Cycle: 1:1

Medium parameters used:  $f = 5745$  MHz;  $\sigma = 6$  mho/m;  $\epsilon_r = 48.2$ ;  $\rho = 1000$  kg/m<sup>3</sup>

Phantom section: Flat Section

DASY4 Configuration:

- Probe: EX3DV4 - SN3860; ConvF(3.9, 3.9, 3.9); Calibrated: 18.09.2015

- Sensor-Surface: 2mm (Mechanical Surface Detection)

- Electronics: DAE3 Sn335; Calibrated: 19.02.2015

- Phantom: SAM Glycol 1176; Type: Speag; Serial: 1176

- Measurement SW: DASY4, V4.7 Build 80; Postprocessing SW: SEMCAD, V1.8 Build 186

**Body/Area Scan (6x16x1):** Measurement grid: dx=10mm, dy=10mm

Maximum value of SAR (measured) = 1.22 mW/g

**Body/Zoom Scan (8x8x13)/Cube 0:** Measurement grid: dx=4mm, dy=4mm, dz=2mm

Reference Value = 13.1 V/m; Power Drift = 0.110 dB

Peak SAR (extrapolated) = 3.05 W/kg

**SAR(1 g) = 0.751 mW/g; SAR(10 g) = 0.216 mW/g**

Maximum value of SAR (measured) = 1.57 mW/g

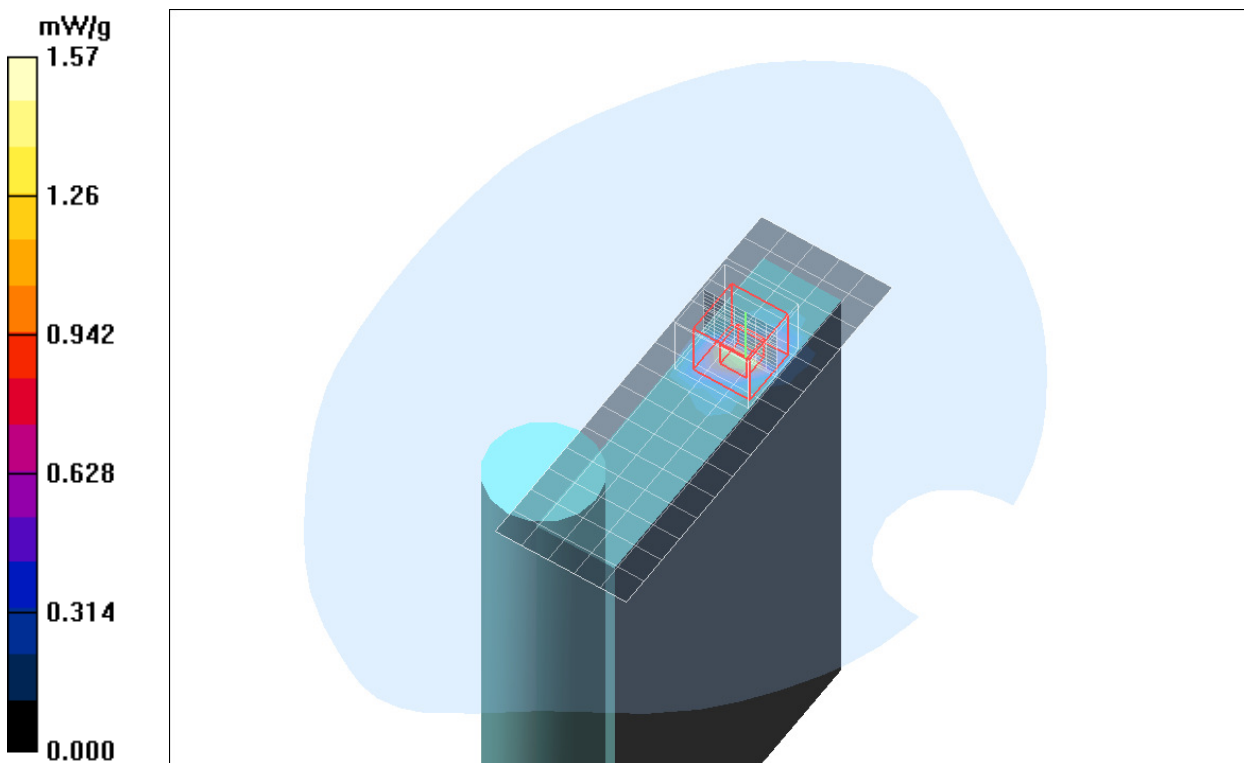


Fig. 43: SAR distribution for IEEE 802.11a (5.8GHz), 6Mbit/s, channel 149, right side, 0 mm.

**Test Laboratory: IMST GmbH, DASY Blue (I); File Name:**  
[MT60\\_608\\_b\\_wf\\_a\\_ch165\\_right\\_cover\\_0mm\\_pwl12.da4](#)

**DUT: S&B; Type: FareGo Move MT60; Serial: 357784044015608**  
**Program Name: IEEE 802.11 a**

Communication System: 5 GHz ; Frequency: 5825 MHz;Duty Cycle: 1:1  
 Medium parameters used:  $f = 5825$  MHz;  $\sigma = 6.21$  mho/m;  $\epsilon_r = 48.1$ ;  $\rho = 1000$  kg/m<sup>3</sup>  
 Phantom section: Flat Section

DASY4 Configuration:

- Probe: EX3DV4 - SN3860; ConvF(3.9, 3.9, 3.9); Calibrated: 18.09.2015
- Sensor-Surface: 2mm (Mechanical Surface Detection)
- Electronics: DAE3 Sn335; Calibrated: 19.02.2015
- Phantom: SAM Glycol 1176; Type: Speag; Serial: 1176
- Measurement SW: DASY4, V4.7 Build 80; Postprocessing SW: SEMCAD, V1.8 Build 186

**Body/Area Scan (6x16x1):** Measurement grid: dx=10mm, dy=10mm

Maximum value of SAR (measured) = 1.41 mW/g

**Body/Zoom Scan (8x8x13)/Cube 0:** Measurement grid: dx=4mm, dy=4mm, dz=2mm

Reference Value = 14.2 V/m; Power Drift = 0.122 dB

Peak SAR (extrapolated) = 3.12 W/kg

**SAR(1 g) = 0.781 mW/g; SAR(10 g) = 0.236 mW/g**

Maximum value of SAR (measured) = 1.61 mW/g

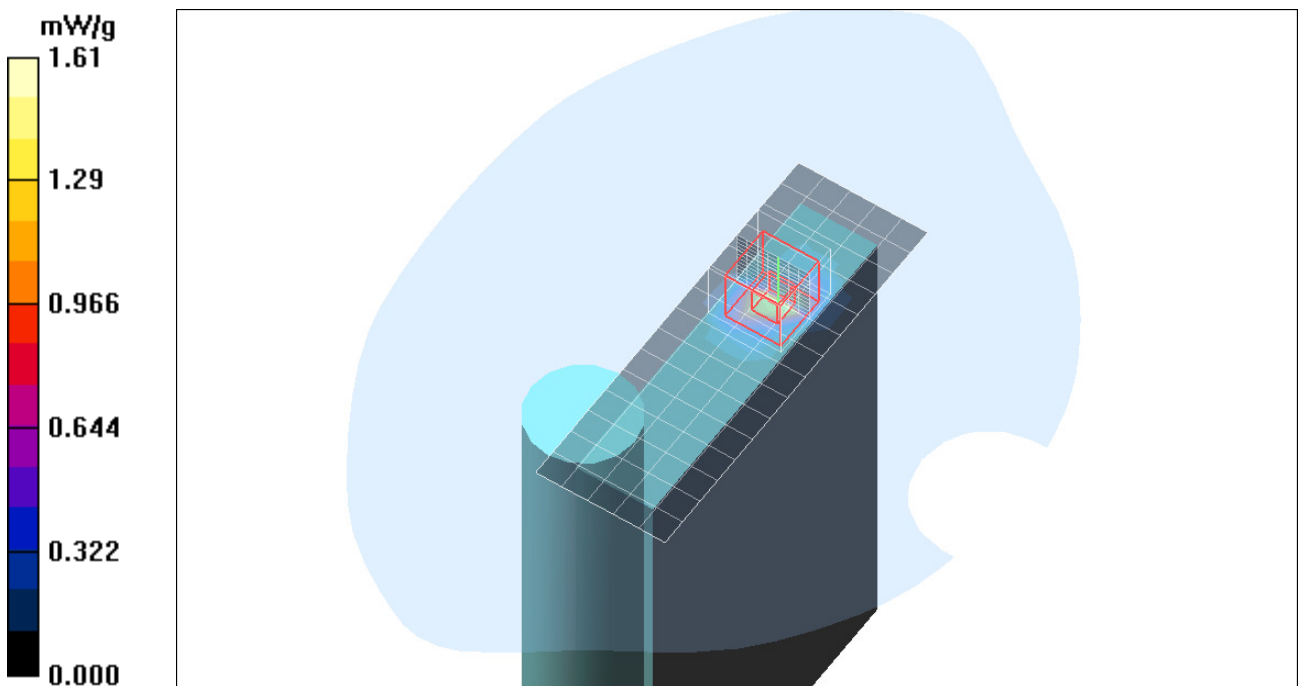


Fig. 44: SAR distribution for IEEE 802.11a (5.8GHz), 6Mbit/s, channel 165, right side, 0 mm.