

## Appendix D. Test Setup Photos



**Bottom Face, Test Separation 0 cm**



**Bottom Face, Test Separation 1.2 cm**



**Edge4, Test Separation 0 cm**



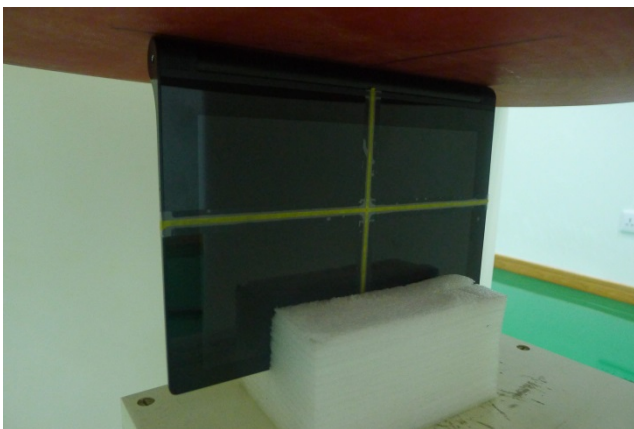
**Edge4, Test Separation 1.2 cm**



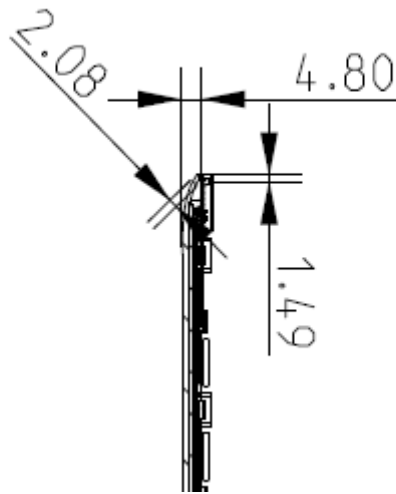
**Edge1, Test Separation 0 cm**



**Edge2, Test Separation 0 cm**



**Edge3, Test Separation 0 cm**



X=4.80mm, Y=1.49mm, Z=2.08mm

Exterior Radius Dimension