

Appendix D. Test Setup Photos



Bottom Face, Test Separation 0 cm



Bottom Face, Test Separation 1.2 cm



Edge4, Test Separation 0 cm



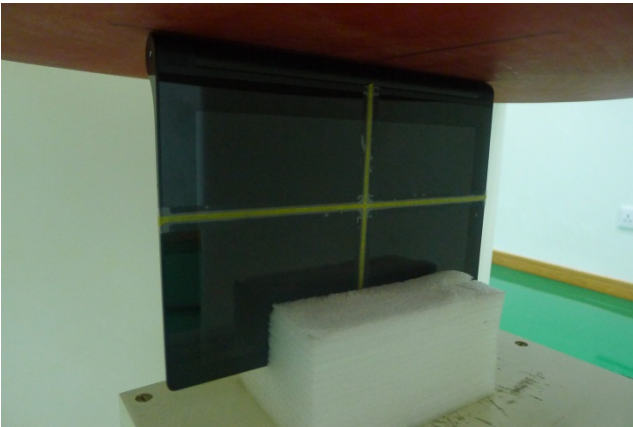
Edge4, Test Separation 1.2 cm



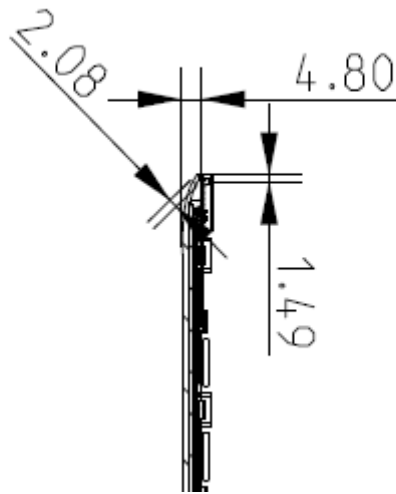
Edge1, Test Separation 0 cm



Edge2, Test Separation 0 cm



Edge3, Test Separation 0 cm



X=4.80mm, Y=1.49mm, Z=2.08mm

Exterior Radius Dimension