

The Lenovo logo, consisting of the word "Lenovo" in white text on a red rectangular background.

# Lenovo TAB3 8 Plus

## Safety, Warranty & Quick Start Guide

Lenovo TB-8703F

Lenovo TB-8703X

- 🔗 Read this guide carefully before using your Lenovo TAB3 8 Plus.  
All information labeled with \* in this guide only refers to the WLAN + LTE model (Lenovo TB-8703X).

## Reading before using your tablet

### Reading first - regulatory information

Device models equipped with wireless communications comply with the radio frequency and safety standards of any country or region in which it has been approved for wireless use. In addition, if your product contains a telecom modem, it complies with the requirements for connection to the telephone network in your country.

Be sure to read the *Regulatory Notice* for your country or region before using the wireless devices contained in your device. To obtain a PDF version of the *Regulatory Notice*, refer to the "Downloading publications" section below.

### Getting support

To get support on network service and billing, contact your wireless network operator. To learn how to use your tablet and view its technical specifications, go to <http://support.lenovo.com>.

### Downloading publications

Electronic versions of your publications are available from <http://support.lenovo.com>. To download the publications for your tablet, go to <http://support.lenovo.com> and follow the instructions on the screen.

### Accessing your *User Guide*

Your *User Guide* contains detailed information about your tablet. To access your *User Guide*, go to <http://support.lenovo.com> and follow the instructions on the screen.

### Legal notices

Lenovo and the Lenovo logo are trademarks of Lenovo in the United States, other countries, or both.

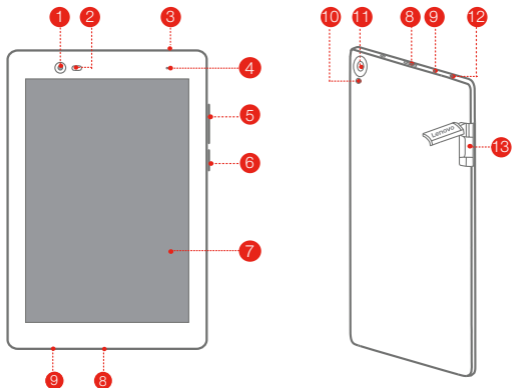
Other company, product, or service names may be trademarks or service marks of others.

Manufactured under license from Dolby Laboratories. Dolby, Dolby Atmos, and the double-D symbol are trademarks of Dolby Laboratories.

LIMITED AND RESTRICTED RIGHTS NOTICE: If data or software is delivered pursuant a General Services Administration "GSA" contract, use, reproduction, or disclosure is subject to restrictions set forth in Contract No. GS-35F-05925.

## Lenovo TAB3 8 Plus overview

| Model           | Version            |
|-----------------|--------------------|
| Lenovo TB-8703F | WLAN               |
| Lenovo TB-8703X | WLAN + LTE (Voice) |



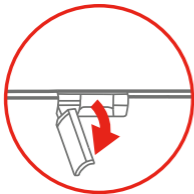
- 1 Front camera
- 2 \*Light/Proximity sensor
- 3 Micro USB connector
- 4 Indicator
- 5 Volume buttons
- 6 On/Off button
- 7 Touch screen
- 8 Speaker
- 9 Microphone
- 10 Flash
- 11 Rear camera
- 12 Headset jack
- 13 \*Nano-SIM card and microSD card slot

 The WLAN model (Lenovo TB-8703F) does not have a Nano-SIM card slot.

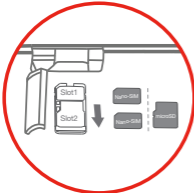
## Preparing your tablet

You can use cellular services with the WLAN + LTE model (Lenovo TB-8703X) by inserting the Nano-SIM card provided by your carrier.

Install the Nano-SIM and microSD cards as shown.

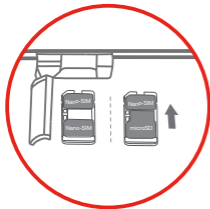


**Step 1.** Open the card slot cover.




**Step 2.** Pull out the card tray and do one of the followings:

- Position the Nano-SIM and microSD cards into the corresponding card slot;
- Position the Nano-SIM1 and Nano-SIM2 cards into the corresponding card slot.



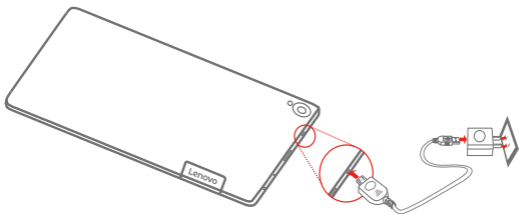
**Step 3.** Put your tablet screen up, carefully insert the card tray with installed cards back into the slot and replace the slot cover.

 Only Nano-SIM cards work with your tablet.

 Do not insert or remove the Nano-SIM card while your tablet is on. Doing so can permanently damage your Nano-SIM card or tablet.

## Starting to use your tablet

You might need to charge the battery before using your tablet.  
Charge the battery as shown.



Connect your tablet to a power outlet using the cable and USB power adapter provided.



## Turning on/off

---



**Turn on:** Press and hold the On/Off button until the Lenovo logo appears.

**Turn off:** Press and hold the On/Off button for a few seconds, then tap **Power off**.

**Restart:** Press and hold the On/Off button for a few seconds, then tap **Restart**.

## Taking screenshots

---

Press and hold the On/Off button and the Volume down button at the same time.

## Important safety and handling information

### Plastic bag notice

**Danger:** Plastic bags can be dangerous. Keep plastic bags away from babies and children to avoid danger of suffocation.

### Built-in rechargeable battery notice

**Danger:** Do not attempt to replace the internal rechargeable lithium ion battery. Risk of explosion if the battery is replaced with an incorrect type. Contact Lenovo Support for factory replacement.

### Caution about high volume usage

**Warning:** exposure to loud noise from any source for extended periods of time may affect your hearing. The louder the sound, the less time is required before your hearing could be affected. To protect your hearing:

- Limit the amount of time you use headsets or headphones at high volume.
- Avoid turning up the volume to block out noisy surroundings.
- Turn the volume down if you can't hear people speaking near you.

If you experience hearing discomfort, including the sensation of pressure or fullness in your ears, ringing in your ears or muffled speech, you should stop listening to the device through your headset or headphones and have your hearing checked.



## European Union compliance statement

### European Union conformity

EU contact: Lenovo, Einsteinova 21, 851 01 Bratislava, Slovakia

**CE 0560 !**

## Compliance with the R&TTE Directive

This product is in compliance with the essential requirements and other relevant provisions of the EU Council Radio and Telecommunications Terminal Equipment (R&TTE) Directive, 1999/5/EC. The Declaration of Conformity information is located in the *Regulatory Notices*, which you can download from the Lenovo Support Web site. See "Downloading publications" in this document for additional information.

**NOTE:** R&TTE 1999/5/EC remains in force during the transition period of Radio Equipment Directive (RED) 2014/53/EU until 12 June, 2017. After then, RED 2014/53/EU will take the place of R&TTE 1999/5/EC.

## Service and support information

The following information describes the technical support that is available for your product, during the warranty period or throughout the life of your product. Refer to the *Lenovo Limited Warranty* (LLW) for a full explanation of Lenovo warranty terms. See "*Lenovo Limited Warranty* notice" later in this document for details on accessing the full warranty.

### Online technical support

Online technical support is available during the lifetime of a product at:

<http://www.lenovo.com/support>

### Telephone technical support

You can get help and information from the Customer Support Center by telephone. Before contacting a Lenovo technical support representative, please have the following information available: model and serial number, the exact wording of any error message, and a description of the problem.

Your technical support representative might want to walk you through the problem while you are at your device during the call.

### Worldwide Lenovo support telephone list

**Important:** Telephone numbers are subject to change without notice. The most up-to-date telephone list for the Customer Support Center is always available at: <http://www.lenovo.com/support/phone>

If the telephone number for your country or region is not listed, contact your Lenovo reseller or Lenovo marketing representative.

# Warranty information

## Lenovo Limited Warranty notice

This product is covered by the terms of the LLW, version L505-0010-02 08/2011. You can read the LLW at [http://www.lenovo.com/warranty/llw\\_02](http://www.lenovo.com/warranty/llw_02). You can read the LLW in a number of languages from this Web site. If you cannot view the LLW from the Web site, contact your local Lenovo office or reseller to obtain a printed version of the LLW.

## Warranty period and type of warranty service

| Country or region   | Warranty period                                    | Type of warranty service |
|---|--|--------------------------|
| Germany, Italy, Austria, United Kingdom, Israel, Australia, New Zealand   | Parts and Labor - 1 year<br>Battery Pack - 1 year  | 1,3                      |
| Guatemala, Costa Rica, Venezuela, Peru, Uruguay, Ecuador, Colombia, Chile, Argentina, Indonesia, Vietnam, India, Malaysia, Thailand, Philippines, Singapore, Hong Kong, El Salvador, Taiwan | Parts and Labor - 1 year<br>Battery Pack - 1 year  | 1,4                      |
| Russia, Ukraine, Egypt, Lebanon, Morocco, South Africa, Tunisia, Mauritius, Mozambique, United Arab Emirates, Jordan, Kenya, Nigeria, Uganda, Ghana, Oman, Tanzania, Namibia                | Parts and Labor - 1 year<br>Battery Pack - 1 year  | 4                        |
| United States of America, Canada, Mexico, Japan   | Parts and Labor - 1 year<br>Battery Pack - 1 year  | 1,5                      |
| Panama  | Parts and Labor - 1 year<br>Battery Pack - 1 year  | 2,4                      |
| South Korea   | Parts and Labor - 1 year<br>Battery Pack - 1 year  | 3,4                      |
| Brazil  | Parts and Labor - 1 year<br>Battery Pack - 1 year  | 2,5                      |
| Spain, Switzerland, Portugal, Netherlands, Belgium, Sweden, Denmark, Norway, Finland, Estonia, Latvia, Lithuania, Iceland, France   | Parts and Labor - 2 years<br>Battery Pack - 1 year | 1,3                      |
| Czech Republic, Hungary, Romania, Bulgaria, Greece, Croatia, Slovenia, Slovakia, Cyprus, Poland   | Parts and Labor - 2 years<br>Battery Pack - 1 year | 1,5                      |



| Country or region | Warranty period                                     | Type of warranty service |
|-------------------|---|--------------------------|
| Turkey            | Parts and Labor - 2 years<br>Battery Pack - 2 years | 3,4                      |
| Saudi Arabia      | Parts and Labor - 2 years<br>Battery Pack - 2 years | 4                        |
| Serbia            | Parts and Labor - 2 years<br>Battery Pack - 1 year  | 1,4                      |

\* Excludes some components. 90-day limited warranty for power adapters, keyboards, plastics and hinges.

#### **Type of warranty service**

1. Customer Replaceable Unit ("CRU") Service
2. On-site Service
3. Courier or Depot Service
4. Customer Carry-In Service
5. Mail-in Service
6. Customer Two-Way Mail-in Service
7. Product Exchange Service

For a full explanation of the types of warranty service, refer to the full warranty. See "*Lenovo Limited Warranty notice*" for details on accessing the full warranty.

## **EurAsia compliance mark**



# Environmental, recycling, and disposal information

## General recycling statement

Lenovo encourages owners of information technology (IT) equipment to responsibly recycle their equipment when it is no longer needed. Lenovo offers a variety of programs and services to assist equipment owners in recycling their IT products. For information on recycling Lenovo products, go to <http://www.lenovo.com/recycling>.

## Important battery and WEEE information



Batteries and electrical and electronic equipment marked with the symbol of a crossed-out wheeled bin may not be disposed as unsorted municipal waste.

Batteries and waste of electrical and electronic equipment (WEEE) shall be treated separately using the collection framework available to customers for the return, recycling, and treatment of batteries and WEEE. When possible, remove and isolate batteries from WEEE prior to placing WEEE in the waste collection stream. Batteries are to be collected separately using the framework available for the return, recycling, and treatment of batteries and accumulators.

Country-specific information is available at:  
<http://www.lenovo.com/recycling>

## Recycling information for Japan

Recycling and disposal information for Japan is available at:

<http://www.lenovo.com/recycling/japan>

## Additional recycling statements

Additional information about recycling device components and batteries is in your *User Guide*. See "Accessing your User Guide" for details.

## Battery recycling marks

Battery recycling information for Taiwan



廢電池請回收

Battery recycling information for the United States and Canada



US & Canada Only

## Battery recycling information for the European Union

EU



Energy efficiency mark



## Restriction of Hazardous Substances Directive (RoHS)

### Turkey

The Lenovo product meets the requirements of the Republic of Turkey Directive on the Restriction of the Use of Certain Hazardous Substances in Waste Electrical and Electronic Equipment (WEEE).

Türkiye AEEE Yönetmeliğine Uygunluk Beyanı

Bu Lenovo ürünü, T.C. Çevre ve Orman Bakanlığı'nın "Atık Elektrikli ve Elektronik Eşya Bazı Zararlı Maddelerin Kullanımının Sınırlandırılmasına Dair Yönetmelik (AEEE)" direktiflerine uygundur.

AEEE Yönetmeliğine Uygundur.

### Ukraine

Цим підтверджуємо, що продукція Леново відповідає вимогам нормативних актів України, які обмежують вміст небезпечних речовин

### India

RoHS compliant as per E-Waste (Management & Handling) Rules, 2011.

### Vietnam

Lenovo products sold in Vietnam, on or after September 23, 2011, meet the requirements of the Vietnam Circular 30/2011/TT-BCT ("Vietnam RoHS").

### European Union

Lenovo products sold in the European Union, on or after 3 January 2013 meet the requirements of Directive 2011/65/EU on the restriction of the use of certain hazardous substances in electrical and electronic equipment ("RoHS recast" or "RoHS 2").

For more information about Lenovo progress on RoHS, go to:

[http://www.lenovo.com/social\\_responsibility/us/en/RoHS\\_Communication.pdf](http://www.lenovo.com/social_responsibility/us/en/RoHS_Communication.pdf)

© Copyright Lenovo 2016.

**Reduce | Reuse | Recycle**



V1.0\_20160713



70110039

MC

Printed in China



# Lenovo TAB3 8 Plus

## Safety, Warranty & Quick Start Guide

Lenovo TB-8703F  
Lenovo TB-8703X

Read this guide carefully before using your Lenovo TAB3 8 Plus. All information labeled with \* in this guide only refers to the WLAN + LTE model (Lenovo TB-8703X).

### Reading before using your tablet

#### Reading first - regulatory information

Device models equipped with wireless communications comply with the radio frequency and safety standards of any country or region in which it has been approved for wireless use. In addition, if your product contains a telecom modem, it complies with the requirements for connection to the telephone network in your country.

Be sure to read the *Regulatory Notice* for your country or region before using the wireless devices contained in your device. To obtain a PDF version of the *Regulatory Notice*, refer to the "Downloading publications" section below.

#### Getting support

To get support on network service and billing, contact your wireless network operator. To learn how to use your tablet and view its technical specifications, go to <http://support.lenovo.com>.

#### Downloading publications

Electronic versions of your publications are available from <http://support.lenovo.com>. To download the publications for your tablet, go to <http://support.lenovo.com> and follow the instructions on the screen.

#### Accessing your User Guide

Your *User Guide* contains detailed information about your tablet. To access your *User Guide*, go to <http://support.lenovo.com> and follow the instructions on the screen.

#### Legal notices

Lenovo and the Lenovo logo are trademarks of Lenovo in the United States, other countries, or both.

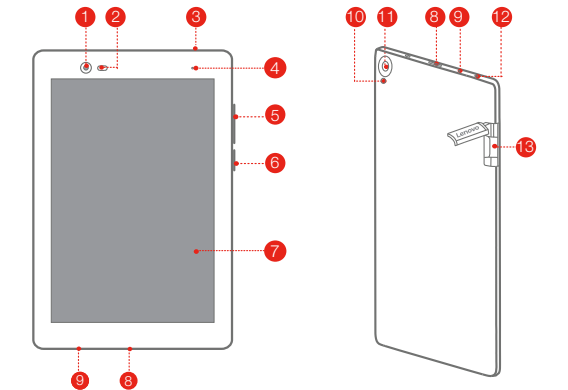
Other company, product, or service names may be trademarks or service marks of others.

Manufactured under license from Dolby Laboratories. Dolby, Dolby Atmos, and the double-D symbol are trademarks of Dolby Laboratories.

LIMITED AND RESTRICTED RIGHTS NOTICE: If data or software is delivered pursuant a General Services Administration "GSA" contract, use, reproduction, or disclosure is subject to restrictions set forth in Contract No. GS-35F-05925.

### Lenovo TAB3 8 Plus overview

| Model           | Version            |
|-----------------|--------------------|
| Lenovo TB-8703F | WLAN               |
| Lenovo TB-8703X | WLAN + LTE (Voice) |

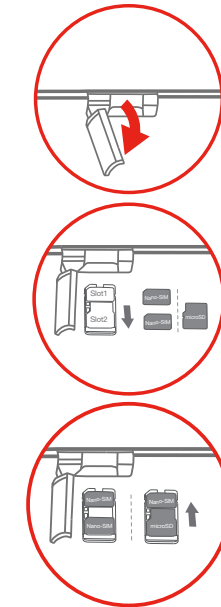


- 1 Front camera
- 2 \*Light/Proximity sensor
- 3 Micro USB connector
- 4 Indicator
- 5 Volume buttons
- 6 On/Off button
- 7 Touch screen
- 8 Speaker
- 9 Microphone
- 10 Flash
- 11 Rear camera
- 12 Headset jack
- 13 \*Nano-SIM card and microSD card slot

The WLAN model (Lenovo TB-8703F) does not have a Nano-SIM card slot.

### Preparing your tablet

You can use cellular services with the WLAN + LTE model (Lenovo TB-8703X) by inserting the Nano-SIM card provided by your carrier. Install the Nano-SIM and microSD cards as shown.



Step 1. Open the card slot cover.

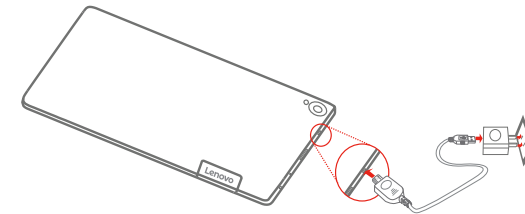
- Step 2. Pull out the card tray and do one of the followings:
- Position the Nano-SIM and microSD cards into the corresponding card slot;
  - Position the Nano-SIM1 and Nano-SIM2 cards into the corresponding card slot.

Step 3. Put your tablet screen up, carefully insert the card tray with installed cards back into the slot and replace the slot cover.

- Only Nano-SIM cards work with your tablet.
- Do not insert or remove the Nano-SIM card while your tablet is on. Doing so can permanently damage your Nano-SIM card or tablet.

### Starting to use your tablet

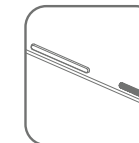
You might need to charge the battery before using your tablet. Charge the battery as shown.



Connect your tablet to a power outlet using the cable and USB power adapter provided.

- Low battery
- Fully charged
- Charging

#### Turning on/off



- Turn on:** Press and hold the On/Off button until the Lenovo logo appears.
- Turn off:** Press and hold the On/Off button for a few seconds, then tap **Power off**.
- Restart:** Press and hold the On/Off button for a few seconds, then tap **Restart**.

#### Taking screenshots

Press and hold the On/Off button and the Volume down button at the same time.

© Copyright Lenovo 2016.

Reduce | Reuse | Recycle



V1.0\_20160713



70110039

MC

Printed in China

## Important safety and handling information

### Plastic bag notice

**Danger:** Plastic bags can be dangerous. Keep plastic bags away from babies and children to avoid danger of suffocation.

### Built-in rechargeable battery notice

**Danger:** Do not attempt to replace the internal rechargeable lithium ion battery. Risk of explosion if the battery is replaced with an incorrect type. Contact Lenovo Support for factory replacement.

### Caution about high volume usage

**Warning:** exposure to loud noise from any source for extended periods of time may affect your hearing. The louder the sound, the less time is required before your hearing could be affected. To protect your hearing:

- Limit the amount of time you use headsets or headphones at high volume.
- Avoid turning up the volume to block out noisy surroundings.
- Turn the volume down if you can't hear people speaking near you.

If you experience hearing discomfort, including the sensation of pressure or fullness in your ears, ringing in your ears or muffled speech, you should stop listening to the device through your headset or headphones and have your hearing checked.



## European Union compliance statement

### European Union conformity

EU contact: Lenovo, Einsteinova 21, 851 01 Bratislava, Slovakia



## Compliance with the R&TTE Directive

This product is in compliance with the essential requirements and other relevant provisions of the EU Council Radio and Telecommunications Terminal Equipment (R&TTE) Directive, 1999/5/EC. The Declaration of Conformity information is located in the *Regulatory Notices*, which you can download from the Lenovo Support Web site. See "Downloading publications" in this document for additional information.

**NOTE: R&TTE 1999/5/EC remains in force during the transition period of Radio Equipment Directive (RED) 2014/53/EU until 12 June, 2017. After then, RED 2014/53/EU will take the place of R&TTE 1999/5/EC.**

## Service and support information

The following information describes the technical support that is available for your product, during the warranty period or throughout the life of your product. Refer to the *Lenovo Limited Warranty* (LLW) for a full explanation of Lenovo warranty terms. See "*Lenovo Limited Warranty* notice" later in this document for details on accessing the full warranty.

### Online technical support

Online technical support is available during the lifetime of a product at: <http://www.lenovo.com/support>

### Telephone technical support

You can get help and information from the Customer Support Center by telephone. Before contacting a Lenovo technical support representative, please have the following information available: model and serial number, the exact wording of any error message, and a description of the problem.

Your technical support representative might want to walk you through the problem while you are at your device during the call.

### Worldwide Lenovo support telephone list

**Important:** Telephone numbers are subject to change without notice. The most up-to-date telephone list for the Customer Support Center is always available at: <http://www.lenovo.com/support/phone>

If the telephone number for your country or region is not listed, contact your Lenovo reseller or Lenovo marketing representative.

## Warranty information

### Lenovo Limited Warranty notice

This product is covered by the terms of the LLW, version L505-0010-02 08/2011. You can read the LLW at [http://www.lenovo.com/warranty/llw\\_02](http://www.lenovo.com/warranty/llw_02). You can read the LLW in a number of languages from this Web site. If you cannot view the LLW from the Web site, contact your local Lenovo office or reseller to obtain a printed version of the LLW.

### Warranty period and type of warranty service

| Country or region   | Warranty period                                    | Type of warranty service |
|---|--|--------------------------|
| Germany, Italy, Austria, United Kingdom, Israel, Australia, New Zealand   | Parts and Labor - 1 year<br>Battery Pack - 1 year  | 1,3                      |
| Guatemala, Costa Rica, Venezuela, Peru, Uruguay, Ecuador, Colombia, Chile, Argentina, Indonesia, Vietnam, India, Malaysia, Thailand, Philippines, Singapore, Hong Kong, El Salvador, Taiwan | Parts and Labor - 1 year<br>Battery Pack - 1 year  | 1,4                      |
| Russia, Ukraine, Egypt, Lebanon, Morocco, South Africa, Tunisia, Mauritius, Mozambique, United Arab Emirates, Jordan, Kenya, Nigeria, Uganda, Ghana, Oman, Tanzania, Namibia                | Parts and Labor - 1 year<br>Battery Pack - 1 year  | 4                        |
| United States of America, Canada, Mexico, Japan   | Parts and Labor - 1 year<br>Battery Pack - 1 year  | 1,5                      |
| Panama  | Parts and Labor - 1 year<br>Battery Pack - 1 year  | 2,4                      |
| South Korea   | Parts and Labor - 1 year<br>Battery Pack - 1 year  | 3,4                      |
| Brazil  | Parts and Labor - 1 year<br>Battery Pack - 1 year  | 2,5                      |
| Spain, Switzerland, Portugal, Netherlands, Belgium, Sweden, Denmark, Norway, Finland, Estonia, Latvia, Lithuania, Iceland, France   | Parts and Labor - 2 years<br>Battery Pack - 1 year | 1,3                      |
| Czech Republic, Hungary, Romania, Bulgaria, Greece, Croatia, Slovenia, Slovakia, Cyprus, Poland   | Parts and Labor - 2 years<br>Battery Pack - 1 year | 1,5                      |

| Country or region | Warranty period                                     | Type of warranty service |
|-------------------|---|--------------------------|
| Turkey            | Parts and Labor - 2 years<br>Battery Pack - 2 years | 3,4                      |
| Saudi Arabia      | Parts and Labor - 2 years<br>Battery Pack - 2 years | 4                        |
| Serbia            | Parts and Labor - 2 years<br>Battery Pack - 1 year  | 1,4                      |

\* Excludes some components. 90-day limited warranty for power adapters, keyboards, plastics and hinges.

### Type of warranty service

- Customer Replaceable Unit ("CRU") Service
- On-site Service
- Courier or Depot Service
- Customer Carry-In Service
- Mail-in Service
- Customer Two-Way Mail-in Service
- Product Exchange Service

For a full explanation of the types of warranty service, refer to the full warranty. See "*Lenovo Limited Warranty* notice" for details on accessing the full warranty.

## EurAsia compliance mark




## Environmental, recycling, and disposal information

### General recycling statement

Lenovo encourages owners of information technology (IT) equipment to responsibly recycle their equipment when it is no longer needed. Lenovo offers a variety of programs and services to assist equipment owners in recycling their IT products. For information on recycling Lenovo products, go to <http://www.lenovo.com/recycling>.

### Important battery and WEEE information



Batteries and electrical and electronic equipment marked with the symbol of a crossed-out wheeled bin may not be disposed as unsorted municipal waste. Batteries and waste of electrical and electronic equipment (WEEE) shall be treated separately using the collection framework available to customers for the return, recycling, and treatment of batteries and WEEE. When possible, remove and isolate batteries from WEEE prior to placing WEEE in the waste collection stream. Batteries are to be collected separately using the framework available for the return, recycling, and treatment of batteries and accumulators. Country-specific information is available at: <http://www.lenovo.com/recycling>

### Recycling information for Japan

Recycling and disposal information for Japan is available at:

<http://www.lenovo.com/recycling/japan>

### Additional recycling statements

Additional information about recycling device components and batteries is in your *User Guide*. See "Accessing your User Guide" for details.

### Battery recycling marks

#### Battery recycling information for Taiwan



廢電池請回收

#### Battery recycling information for the United States and Canada



US & Canada Only

#### Battery recycling information for the European Union



Energy efficiency mark



### Restriction of Hazardous Substances Directive (RoHS)

#### Turkey

The Lenovo product meets the requirements of the Republic of Turkey Directive on the Restriction of the Use of Certain Hazardous Substances in Waste Electrical and Electronic Equipment (WEEE).

Türkiye AEEE Yönetmeliğine Uygunluk Beyanı

Bu Lenovo ürünü, T.C. Çevre ve Orman Bakanlığı'nın "Atık Elektrikli ve Elektronik Eşya Bazı Zararlı Maddelerin Kullanımının Sınırlanmasına Dair Yönetmelik (AEEE)" direktiflerine uygundur.

AEEE Yönetmeliğine Uygundur.

#### Ukraine

Цим підтверджуємо, що продукція Леново відповідає вимогам нормативних актів України, які обмежують вміст небезпечних речовин

#### India

RoHS compliant as per E-Waste (Management & Handling) Rules, 2011.

#### Vietnam

Lenovo products sold in Vietnam, on or after September 23, 2011, meet the requirements of the Vietnam Circular 30/2011/TT-BCT ("Vietnam RoHS").

#### European Union

Lenovo products sold in the European Union, on or after 3 January 2013 meet the requirements of Directive 2011/65/EU on the restriction of the use of certain hazardous substances in electrical and electronic equipment ("RoHS recast" or "RoHS 2").

For more information about Lenovo progress on RoHS, go to:

[http://www.lenovo.com/social\\_responsibility/us/en/RoHS\\_Communication.pdf](http://www.lenovo.com/social_responsibility/us/en/RoHS_Communication.pdf)