

Lenovo (Shanghai) Electronics Technology Co., Ltd.

Section 304-305, Building No. 4, # 222, Meiyue Road, China (Shanghai) Pilot Free Trade Zone
Tel: 86-18116117205; Fax: 86-21-50807240

Date: June 10, 2022

Federal Communications Commission
Authorization and Evaluation Division
7435 Oakland Mills Road
Columbia, MD 21046

Attn: OET Dept.

Ref: FCC Class II Permissive change for FCC ID: O57TB132FU

Applicant: Lenovo (Shanghai) Electronics Technology Co., Ltd.

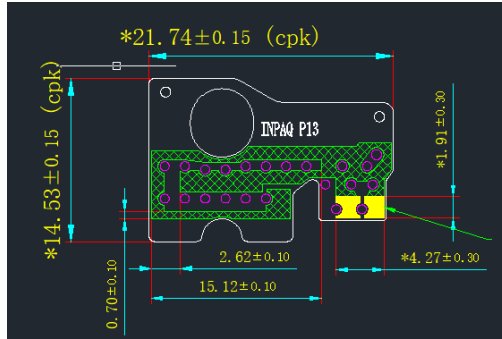
Dear Examiner,

This is to request a Class II Permissive change for FCC ID: O57TB132FU originally granted on 5/17/2022.

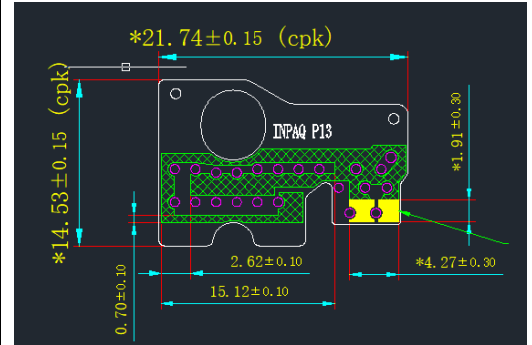
The change under this application as following: The following manufacturer of key parts is only different, other parameters are the same.

Object	1st Antenna	2nd Antenna
Supplier:	KXHC	HB
CH0,CH1	Model: MDA+LDS/ FPC Antenna type: IFA	Model: MDA+LDS/ FPC Antenna type: IFA
Peak Gain:	1dBm	1dBm
NFC Antenna:	Model: FPC Antenna type: LOOP	Model: FPC Antenna type: LOOP
Antenna Size	<p style="text-align: center;">CH0</p>	<p style="text-align: center;">CH0</p>

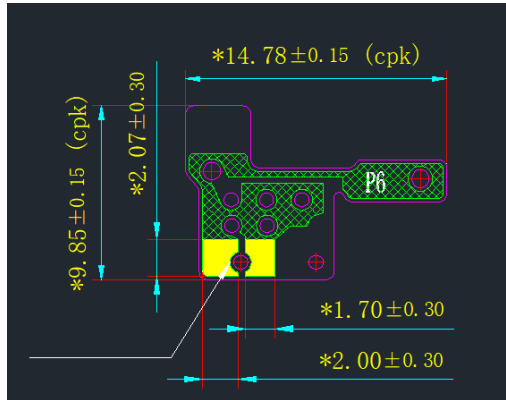
CH1-WIFI 2.4G



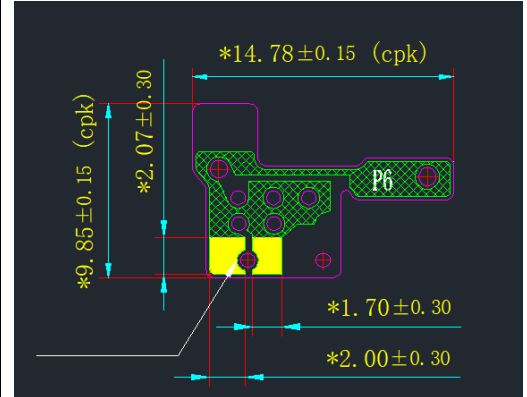
CH1-WIFI 2.4G



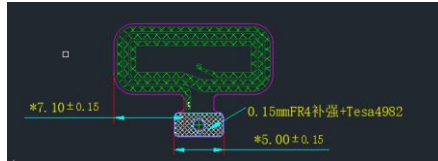
CH1-WIFI 5G



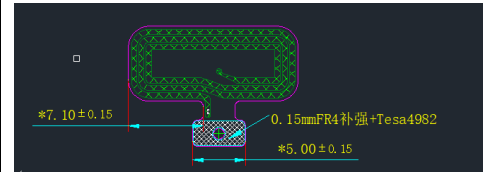
CH1-WIFI 5G



NFC



NFC



Sincerely,

Spring Zhou

Signature:

Company: Lenovo (Shanghai) Electronics Technology Co., Ltd.

Tel: 86-21-50504500-8281

Fax: 86-21-50807240

E-mail: zhoub1@lenovo.com