



# Variant FCC RF Test Report

**APPLICANT** : Lenovo (Shanghai) Electronics  
Technology Co., Ltd.  
**EQUIPMENT** : Portable Tablet Computer  
**BRAND NAME** : lenovo  
**MODEL NAME** : 501LV, 502LV  
**MARKETING NAME** : Lenovo TAB2  
**FCC ID** : O57TAB2A8  
**STANDARD** : FCC Part 15 Subpart C §15.247  
**CLASSIFICATION** : (DTS) Digital Transmission System

This is a variant report which is only valid together with the original report. The product was received on Aug. 20, 2015 and testing was completed on Sep. 10, 2015. We, SPORTON INTERNATIONAL (KUNSHAN) INC., would like to declare that the tested sample has been evaluated in accordance with the test procedures and has been in compliance with the applicable technical standards.

The test results in this report apply exclusively to the tested model / sample. Without written approval of SPORTON INTERNATIONAL (KUNSHAN) INC., the test report shall not be reproduced except in full.

Reviewed by: Joseph Lin / Supervisor

Approved by: Jones Tsai / Manager



**SPORTON INTERNATIONAL (KUNSHAN) INC.**  
No. 3-2, PingXiang Road, Kunshan, Jiangsu Province, P. R. China



# TABLE OF CONTENTS

**SUMMARY OF TEST RESULT ..... 4**

**1 GENERAL DESCRIPTION..... 5**

    1.1 Applicant ..... 5

    1.2 Manufacturer..... 5

    1.3 Product Feature of Equipment Under Test..... 5

    1.4 Product Specification subjective to this standard ..... 5

    1.5 Modification of EUT ..... 6

    1.6 Testing Location ..... 6

    1.7 Applicable Standards..... 6

**2 TEST CONFIGURATION OF EQUIPMENT UNDER TEST..... 7**

    2.1 Test Mode..... 7

    2.2 Connection Diagram of Test System..... 7

    2.3 Support Unit used in test configuration and system ..... 8

    2.4 EUT Operation Test Setup ..... 8

**3 TEST RESULT ..... 9**

    3.1 Radiated Band Edges and Spurious Emission Measurement ..... 9

**4 LIST OF MEASURING EQUIPMENT..... 14**

**5 UNCERTAINTY OF EVALUATION..... 15**

**APPENDIX A. RADIATED SPURIOUS EMISSION**

**APPENDIX B. SETUP PHOTOGRAPHS**

**APPENDIX C. PRODUCT EQUALITY DECLARATION**



### REVISION HISTORY

REPORT NO.	VERSION	DESCRIPTION	ISSUED DATE
FR582002B	Rev. 01	This is a variant report for 501LV, 502LV. The product equality description could be referred to Appendix C. Based on the similarity between two models, only the worst case of Radiated Spurious Emission from original test report (Sporton Report Number FR550402B) was verified.	Sep. 28, 2015



### SUMMARY OF TEST RESULT

Report Section	FCC Rule	Description	Limit	Result	Remark
3.1	15.247(d)	Radiated Band Edges and Spurious Emission	15.209(a) & 15.247(d)	Pass	Under limit 4.58 dB at 30.970 MHz for Quasi-Peak



# 1 General Description

## 1.1 Applicant

**Lenovo (Shanghai) Electronics Technology Co., Ltd.**  
No. 68 Building, 199 Fenju Road, Wai Gao Qiao FTZ , Shanghai , China

## 1.2 Manufacturer

**Lenovo PC HK Limited**  
23/F, Lincoln House, Taikoo Place 979 King's Road, Quarry Bay, Hong Kong

## 1.3 Product Feature of Equipment Under Test

Product Feature	
Equipment	Portable Tablet Computer
Brand Name	lenovo
Model Name	501LV, 502LV
Marketing Name	Lenovo TAB2
FCC ID	O57TAB2A8
EUT supports Radios application	GPRS/EGPRS/LTE/ WLAN2.4GHz 802.11b/g/n HT20/ Bluetooth v3.0+EDR/Bluetooth v4.0 LE
IMEI Code	Radiation: 867651020003721
HW Version	LenovoPad A8-50F
SW Version	A8-50F_150520
EUT Stage	Identical Prototype

**Remark:** The above EUT's information was declared by manufacturer. Please refer to the specifications or user's manual for more detailed description.

## 1.4 Product Specification subjective to this standard

Product Specification subjective to this standard	
Tx/Rx Frequency Range	2402 MHz ~ 2480 MHz
Number of Channels	40
Carrier Frequency of Each Channel	40 Channel(37 hopping + 3 advertising channel)
Antenna Type	PIFA Antenna
Type of Modulation	Bluetooth LE : GFSK



### 1.5 Modification of EUT

No modifications are made to the EUT during all test items.

### 1.6 Testing Location

<b>Test Site</b>	SPORTON INTERNATIONAL (KUNSHAN) INC.	
<b>Test Site Location</b>	No. 3-2, PingXiang Road, Kunshan, Jiangsu Province, P. R. China TEL: +86-0512-5790-0158 FAX: +86-0512-5790-0958	
<b>Test Site No.</b>	<b>Sporton Site No.</b>	<b>FCC Registration No.</b>
	03CH02-KS	418269

**Note:** The test site complies with ANSI C63.4 2009 requirement.

### 1.7 Applicable Standards

According to the specifications of the manufacturer, the EUT must comply with the requirements of the following standards:

- ♦ FCC Part 15 Subpart C §15.247
- ♦ FCC KDB Publication No. 558074 D01 DTS Meas. Guidance v03r03
- ♦ ANSI C63.10-2013

**Remark:**

1. All test items were verified and recorded according to the standards and without any deviation during the test.
2. FCC permits the use of the 1.5 meter table as an alternative in C63.10-2013 through inquiry tracking number 961829.
3. This EUT has also been tested and complied with the requirements of FCC Part 15, Subpart B, recorded in a separate test report.

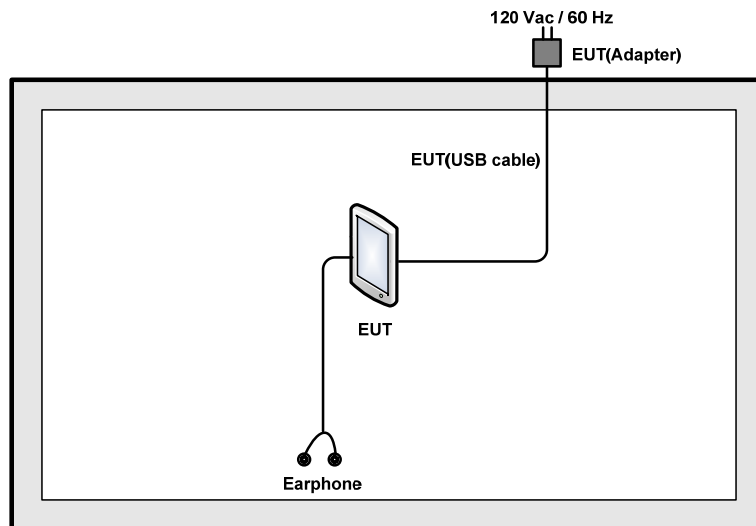
## 2 Test Configuration of Equipment Under Test

### 2.1 Test Mode

The following summary table is showing all test modes to demonstrate in compliance with the standard.

Summary table of Test Cases	
Test Item	Data Rate / Modulation
	Bluetooth 4.0 – LE / GFSK
Radiated TCs	Mode 1: Bluetooth Tx CH19_2402 MHz_1Mbps
<b>Remark:</b> For Radiated TCs, The tests were performance with adapter , earphone, and USB cable.	

### 2.2 Connection Diagram of Test System





### **2.3 Support Unit used in test configuration and system**

<b>Item</b>	<b>Equipment</b>	<b>Trade Name</b>	<b>Model Name</b>	<b>FCC ID</b>	<b>Data Cable</b>	<b>Power Cord</b>
1.	Earphone	Lenovo	SH100	N/A	Unshielded, 1.2 m	N/A

### **2.4 EUT Operation Test Setup**

For Bluetooth v4.0 LE function, the engineering test program was provided and enabled to make EUT continuous transmit/receive.





### 3 Test Result

#### 3.1 Radiated Band Edges and Spurious Emission Measurement

##### 3.1.1 Limit of Radiated Band Edges and Spurious Emission

In any 100 kHz bandwidth outside the intentional radiator frequency band, all harmonics/spurious must be at least 20 dB below the highest emission level within the authorized band. If the output power of this device was measured by spectrum analyzer, the attenuation under this paragraph shall be 30 dB instead of 20 dB. In addition, radiated emissions which fall in the restricted bands must also comply with the FCC section 15.209 limits as below.

Frequency (MHz)	Field Strength (microvolts/meter)	Measurement Distance (meters)
0.009 – 0.490	2400/F(kHz)	300
0.490 – 1.705	24000/F(kHz)	30
1.705 – 30.0	30	30
30 – 88	100	3
88 – 216	150	3
216 - 960	200	3
Above 960	500	3

##### 3.1.2 Measuring Instruments

The section 4.0 of List of Measuring Equipment of this test report is used for test.



3.1.3 Test Procedures

1. The testing follows FCC KDB Publication No. 558074 D01 DTS Meas. Guidance v03r03.
2. The EUT was arranged to its worst case and then tune the antenna tower (from 1 m to 4 m) and turntable (from 0 degree to 360 degrees) to find the maximum reading. A pre-amp and a high pass filter are used for the test in order to get better signal level.
3. The EUT was placed on a turntable with 0.8 meter for frequency below 1GHz and 1.5 meter for frequency above 1GHz respectively above ground.
4. The EUT was set 3 meters from the interference receiving antenna, which was mounted on the top of a variable height antenna tower.
5. Corrected Reading: Antenna Factor + Cable Loss + Read Level - Preamp Factor = Level
6. For measurement below 1GHz, If the emission level of the EUT measured by the peak detector is 3 dB lower than the applicable limit, the peak emission level will be reported. Otherwise, the emission measurement will be repeated using the quasi-peak detector and reported.
7. Use the following spectrum analyzer settings:
  - (1) Span shall wide enough to fully capture the emission being measured;
  - (2) Set RBW=100 kHz for  $f < 1$  GHz;  $VBW \geq RBW$ ; Sweep = auto; Detector function = peak; Trace = max hold;
  - (3) Set RBW = 1 MHz, VBW= 3MHz for  $f \geq 1$  GHz for peak measurement.
 

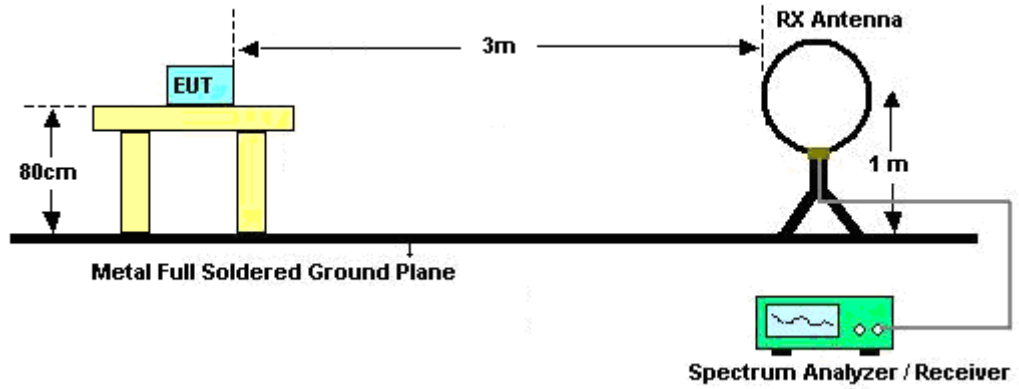
For average measurement:

    - $VBW = 10$  Hz, when duty cycle is no less than 98 percent.
    - $VBW \geq 1/T$ , when duty cycle is less than 98 percent where T is the minimum transmission duration over which the transmitter is on and is transmitting at its maximum power control level for the tested mode of operation.

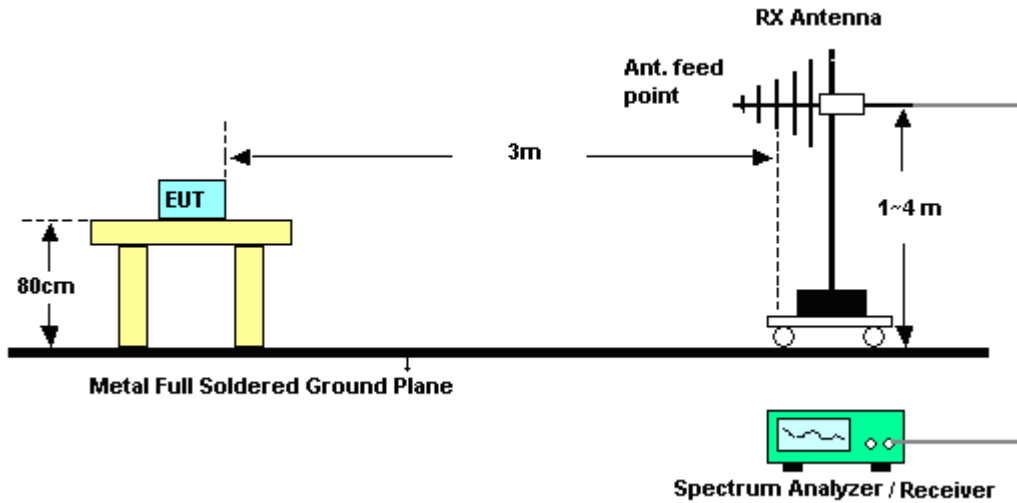
Band	Duty Cycle(%)	T(ms)	1/T(kHz)	VBW Setting
Bluetooth v4.0 LE	60.13	0.38	2.63	3kHz

### 3.1.4 Test Setup

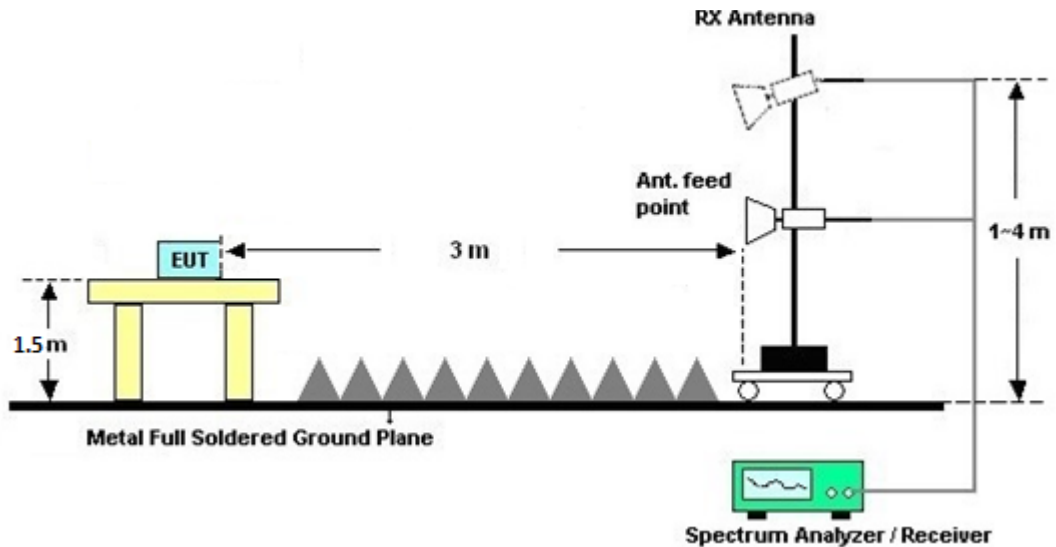
For radiated emissions below 30MHz



For radiated emissions from 30MHz to 1GHz



For radiated emissions above 1GHz



### 3.1.5 Test Results of Radiated Spurious Emissions (9 kHz ~ 30 MHz)

The low frequency, which started from 9 kHz to 30MHz, was pre-scanned and the result which was 20dB lower than the limit line per 15.31(o) was not reported.



**3.1.6 Test Result of Radiated Spurious at Band Edges**

Please refer to Appendix A.

**3.1.7 Test Result of Radiated Spurious Emission (30MHz ~ 10<sup>th</sup> Harmonic)**

Please refer to Appendix A.



## 4 List of Measuring Equipment

Instrument	Manufacturer	Model No.	Serial No.	Characteristics	Calibration Date	Test Date	Due Date	Remark
EMI Test Receiver	R&S	ESR7	101403	9kHz~7GHz;Max x 30dBm	Sep. 29, 2014	Sep. 10, 2015	Sep. 28, 2015	Radiation (03CH02-KS)
Spectrum Analyzer	R&S	FSV40	101040	10kHz~40GHz; Max 30dBm	Sep. 25, 2014	Sep. 10, 2015	Sep. 24, 2015	Radiation (03CH02-KS)
Loop Antenna	R&S	HFH2-Z2	100321	9kHz~30MHz	Nov. 13, 2014	Sep. 10, 2015	Nov. 12, 2015	Radiation (03CH01-KS)
Bilog Antenna	TeseQ	CBL6112D	37879	30MHz-2GHz	Sep. 13, 2014	Sep. 10, 2015	Sep. 12, 2015	Radiation (03CH02-KS)
Double Ridge Horn Antenna	ETS-Lindgren	3117	75957	1GHz~18GHz	Nov. 08, 2014	Sep. 10, 2015	Nov. 07, 2015	Radiation (03CH02-KS)
Active Horn Antenna	com-power	AHA-118	701030	1GHz~18GHz	Nov. 08, 2014	Sep. 10, 2015	Nov. 07, 2015	Radiation (03CH02-KS)
SHF-EHF Horn	Schwarzbeck	BBHA 9170	BBHA1702 49	15GHz ~40GHz	Mar. 03, 2015	Sep. 10, 2015	Mar. 02, 2016	Radiation (03CH02-KS)
Amplifier	com-power	PA-103A	161069	1kHz ~1000MHz / 32 dB	May 04, 2015	Sep. 10, 2015	May 03, 2016	Radiation (03CH02-KS)
Amplifier	Agilent	8449B	3008A023 84	1GHz~26.5GHz	Oct. 28, 2014	Sep. 10, 2015	Oct. 27, 2015	Radiation (03CH02-KS)
AC Power Source	Chroma	61601	616010002 473	N/A	NCR	Sep. 10, 2015	NCR	Radiation (03CH02-KS)
Turn Table	MF	MF7802	N/A	0~360 degree	NCR	Sep. 10, 2015	NCR	Radiation (03CH02-KS)
Antenna Mast	MF	MF7802	N/A	1 m~4 m	NCR	Sep. 10, 2015	NCR	Radiation (03CH02-KS)



## 5 Uncertainty of Evaluation

### Uncertainty of Radiated Emission Measurement (30 MHz ~ 1000 MHz)

Measuring Uncertainty for a Level of Confidence of 95% ( $U = 2Uc(y)$ )	5.1dB
---	-------



## Appendix A. Radiated Spurious Emission

### 2.4GHz 2400~2483.5MHz

#### BLE (Band Edge @ 3m)

BLE	Note	Frequency	Level	Over	Limit	Read	Antenna	Cable	Preamp	Ant	Table	Peak	Pol.
		( MHz )	( dB $\mu$ V/m )	( dB )	Limit	Level	Factor	Loss	Factor	Pos	Pos	Avg.	
					Line	( dB $\mu$ V )	( dB/m )	( dB )	( dB )	( cm )	( deg )	( P/A )	( H/V )
BLE CH 19 2440MHz	*	2440.08	91.05	-	-	95.86	27.39	4.77	36.97	150	122	P	H
	*	2440.08	90.46	-	-	95.27	27.39	4.77	36.97	150	122	A	H
	*	2440.08	90.15	-	-	94.96	27.39	4.77	36.97	170	108	P	V
	*	2440.08	89.5	-	-	94.31	27.39	4.77	36.97	170	108	A	V
Remark	1. No other spurious found. 2. All results are PASS against Peak and Average limit line.												

### 2.4GHz 2400~2483.5MHz

#### BLE (Harmonic @ 3m)

BLE	Note	Frequency	Level	Over	Limit	Read	Antenna	Cable	Preamp	Ant	Table	Peak	Pol.
		( MHz )	( dB $\mu$ V/m )	Limit	Line	Level	Factor	Loss	Factor	Pos	Pos	Avg.	
				( dB )	( dB $\mu$ V/m )	( dB $\mu$ V )	( dB/m )	( dB )	( dB )	( cm )	( deg )	( P/A )	( H/V )
BLE CH 19 2440MHz		4881	41.61	-32.39	74	39.81	31.59	6.87	36.66	150	110	P	H
		7320	44.32	-29.68	74	38.36	34.08	8.59	36.71	150	121	P	H
		4881	41.83	-32.17	74	40.03	31.59	6.87	36.66	165	255	P	V
		7320	45.31	-28.69	74	39.35	34.08	8.59	36.71	172	183	P	V
Remark	1. No other spurious found. 2. All results are PASS against Peak and Average limit line.												





Emission below 1GHz

2.4GHz BLE (LF)

BLE	Note	Frequency	Level	Over	Limit	Read	Antenna	Cable	Preamp	Ant	Table	Peak	Pol.
		( MHz )	( dBμV/m )	( dB )	( dBμV/m )	( dBμV )	( dB/m )	( dB )	( dB )	( cm )	( deg )	( P/A )	( H/V )
2.4GHz BLE LF		30.97	27.01	-12.99	40	42.7	18.8	0.74	35.23	-	-	P	H
	!	158.04	38.76	-4.74	43.5	61.13	10.92	1.62	34.91	-	-	P	H
	!	184.23	38.6	-4.9	43.5	61.87	9.96	1.76	34.99	200	99	QP	H
		233.7	29.71	-16.29	46	51.9	10.75	2	34.94	-	-	P	H
		357.86	31.21	-14.79	46	48.99	14.85	2.48	35.11	-	-	P	H
		420.91	32.26	-13.74	46	48.1	16.54	2.71	35.09	-	-	P	H
	!	30.97	35.42	-4.58	40	51.11	18.8	0.74	35.23	105	5	QP	V
		105.66	34.03	-9.47	43.5	56.03	12	1.33	35.33	-	-	P	V
	!	155.13	37.53	-5.97	43.5	59.82	11.02	1.61	34.92	105	124	QP	V
		191.02	33.99	-9.51	43.5	57.51	9.72	1.79	35.03	126	336	QP	V
		233.7	35.92	-10.08	46	58.11	10.75	2	34.94	-	-	P	V
		483.96	34.96	-11.04	46	49.51	17.2	2.91	34.66	-	-	P	V

**Remark**

1. No other spurious found.
2. All results are PASS against limit line.

Note symbol

*	<b>Fundamental Frequency</b> which can be ignored. However, the level of any unwanted emissions shall not exceed the level of the fundamental frequency.
!	Test result is <b>over limit</b> line.
P/A	<b>Peak or Average</b>
H/V	<b>Horizontal or Vertical</b>



A calculation example for radiated spurious emission is shown as below:

WIFI	Note	Frequency	Level	Over	Limit	Read	Antenna	Cable	Preamp	Ant	Table	Peak	Pol.
Ant.				Limit	Line	Level	Factor	Loss	Factor	Pos	Pos	Avg.	
1+2		( MHz )	( dBμV/m )	( dB )	( dBμV/m )	( dBμV )	( dB/m )	( dB )	( dB )	( cm )	( deg )	( P/A )	( H/V )
802.11b		2390	55.45	-18.55	74	54.51	32.22	4.58	35.86	103	308	P	H
CH 01													
2412MHz		2390	43.54	-10.46	54	42.6	32.22	4.58	35.86	103	308	A	H

- Level(dBμV/m) =  
Antenna Factor(dB/m) + Cable Loss(dB) + Read Level(dBμV) - Preamp Factor(dB)
- Over Limit(dB) = Level(dBμV/m) – Limit Line(dBμV/m)

**For Peak Limit @ 2390MHz:**

- Level(dBμV/m)  
= Antenna Factor(dB/m) + Cable Loss(dB) + Read Level(dBμV) - Preamp Factor(dB)  
= 32.22(dB/m) + 4.58(dB) + 54.51(dBμV) – 35.86 (dB)  
= 55.45 (dBμV/m)
- Over Limit(dB)  
= Level(dBμV/m) – Limit Line(dBμV/m)  
= 55.45(dBμV/m) – 74(dBμV/m)  
= -18.55(dB)

**For Average Limit @ 2390MHz:**

- Level(dBμV/m)  
= Antenna Factor(dB/m) + Cable Loss(dB) + Read Level(dBμV) - Preamp Factor(dB)  
= 32.22(dB/m) + 4.58(dB) + 42.6(dBμV) – 35.86 (dB)  
= 43.54 (dBμV/m)
- Over Limit(dB)  
= Level(dBμV/m) – Limit Line(dBμV/m)  
= 43.54(dBμV/m) – 54(dBμV/m)  
= -10.46(dB)

Both peak and average measured complies with the limit line, so test result is “PASS”.



## Appendix C. Product Equality Declaration

**Lenovo (Shanghai) Electronics Technology Co., Ltd.**  
**No. 68 Building, 199 Fenju Road, Wai Gao Qiao FTZ , Shanghai , China**  
**Tel: 86-18101020956; Fax: 86-10-58863918**

Date: September 28, 2015

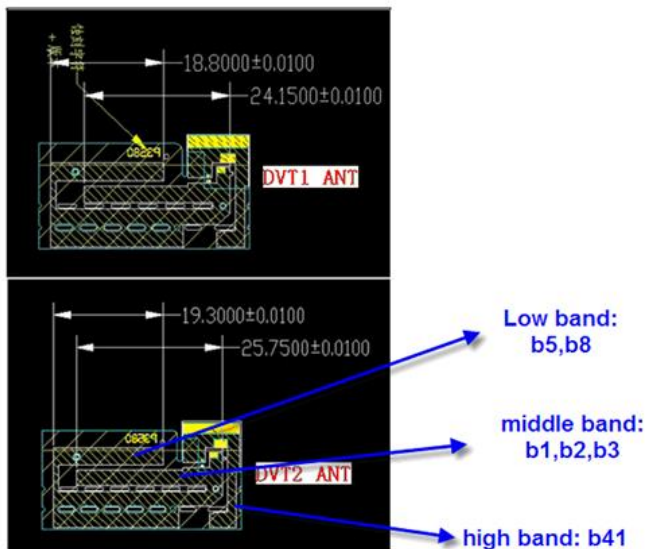
## Product Equality Declaration

We, Lenovo (Shanghai) Electronics Technology Co., Ltd. declare on our sole responsibility for the product of **501LV,502LV** as below:

The differences between 501LV,502LV and previous as below:

- ◆ Enable Tablet receiver by software
- ◆ Adapter change from Soft Bank ZTDAC 1(1A), ZTDAD1(1.8A) to C-P62(1.5A)
- ◆ WWAN Antenna changed as below:
  - (1). DVT2 Antenna Pattern is longer than DVT1, but the max Gain value keep same
  - (2). Antenna area is bigger

### Diff in Ant Pattern



### Diff in Ant performance

Cena DVT1 LTE band1/3/8		TRP	TIS
4G	LTE	18050/50	20.0
	Band 1	18300/300	19.1
	( 10MHZ )	18550/550	18.2
			-94.4
	LTE	19250/1250	18.8
	Band 3	19575/1575	19.0
( 10MHZ )	19900/1900	18.9	-94.5
LTE	21500/3500	18.3	
Band 8	21625/3625	18.4	
( 10MHZ )	21750/3750	17.8	-90.1

Cena DVT2 LTE band1/3/8		TRP	TIS
4G	LTE	18050/50	20.0
	Band 1	18300/300	19.1
	( 10MHZ )	18550/550	18.7
			-95.2
	LTE	19250/1250	18.1
	Band 3	19575/1575	18.5
( 10MHZ )	19900/1900	18.7	-96.4
LTE	21500/3500	18.6	
Band 8	21625/3625	18.5	
( 10MHZ )	21750/3750	18.3	-91.6

Except listings above, the others are all the same.

Should you have any questions or comments regarding this matter, please have my best attention.

Sincerely yours,

*Jacky Chou*

---

Contact Person: Jacky Chou

COMPANY: Lenovo (Shanghai) Electronics Technology Co., Ltd.

Tel: 86- 18101020956

Fax: 86-10-58863918

E-Mail: pchou@lenovo.com