



Lenovo Smart Frame

Safety, Warranty & Quick Start Guide

Lenovo CD-3L501F

Ⓢ <https://support.lenovo.com>

Ⓜ <https://forums.lenovo.com>

● Read this guide carefully before using your device.

Reading before using your device

Reading first - regulatory information

Device models equipped with wireless communications comply with the radio frequency and safety standards of any country or region in which it has been approved for wireless use. In addition, if your product contains a telecom modem, it complies with the requirements for connection to the telephone network in your country.

Be sure to read the *Regulatory Notice* for your country or region before using the wireless devices contained in your device. To obtain a PDF version of the *Regulatory Notice*, go to <https://support.lenovo.com>.

Getting support

To learn more, go to <https://support.lenovo.com>.

Accessing your *User Guide*

Your *User Guide* contains detailed information about your device. To download the publications for your device, go to <https://support.lenovo.com> and follow the instructions on the screen.

Legal notices

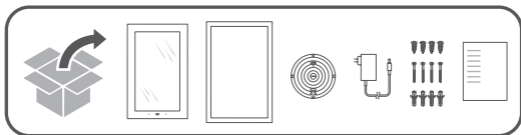
Lenovo and the Lenovo logo are trademarks of Lenovo in the United States, other countries, or both.

Other company, product, or service names may be trademarks or service marks of others.

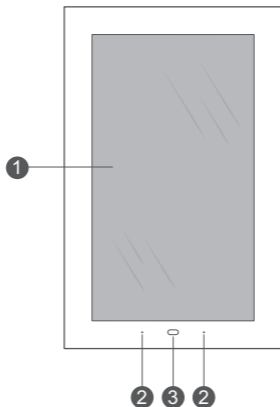
Manufactured under license from Dolby Laboratories. Dolby, Dolby Atmos, and the double-D symbol are trademarks of Dolby Laboratories.

LIMITED AND RESTRICTED RIGHTS NOTICE: If data or software is delivered pursuant a General Services Administration "GSA" contract, use, reproduction, or disclosure is subject to restrictions set forth in Contract No. GS-35F-05925.

Device overview



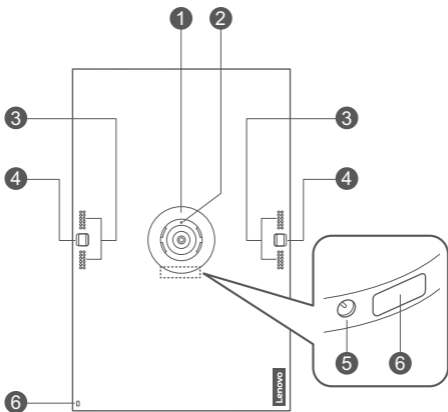
Name	Model
Lenovo Smart Frame	Lenovo CD-3L501F




① Screen

② Microphones

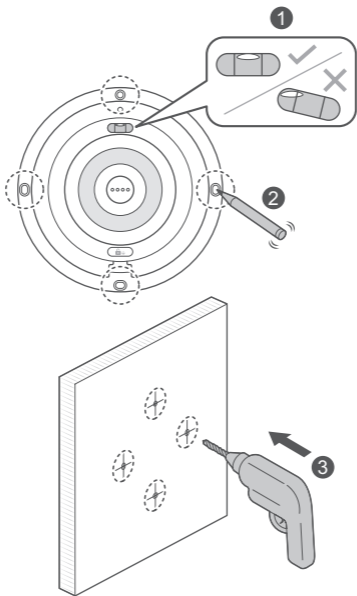
③ Sensor



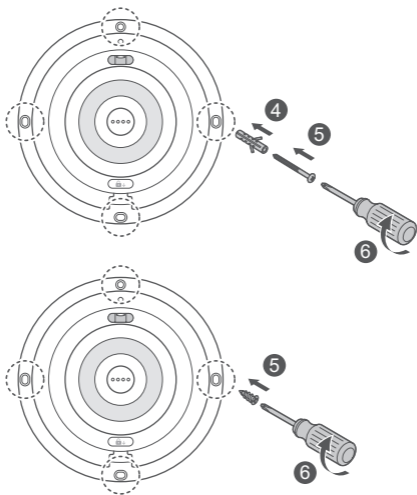
- 1 Base
- 2 Positioning post
- 3 Speakers
- 4 Unlock button
- 5 Power adapter connector
- 6 Service tool

 All pictures and illustrations in this document are for your reference only and may differ from the final product.

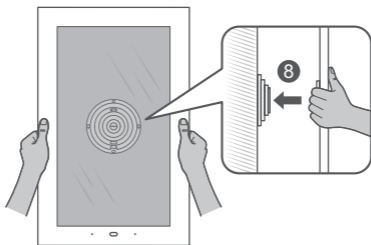
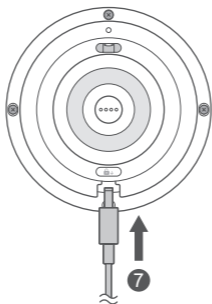
Wall mounting



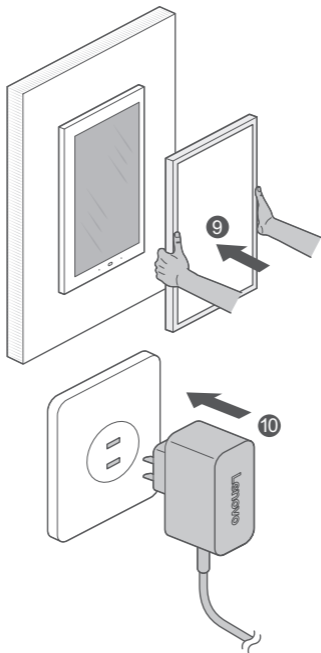
- 1 Make sure the level is on top and in a horizontal position.
- 2 Draw the position of the four holes with a pencil.
- 3 Use a drill to drill 4 holes in the wall.



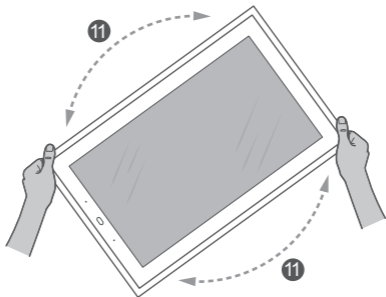
- 4 - 6 Use a screwdriver to insert the screw into the positioning hole above to fix it. For a brick wall or concrete wall use strong screws and plugs, and for drywall use drywall plugs.



- 7 Connect the power adapter.
 - 8 Place the frame on the buckle.
- 🔩 The wall mounting bracket has a winding function and can tidy up the wiring harness.

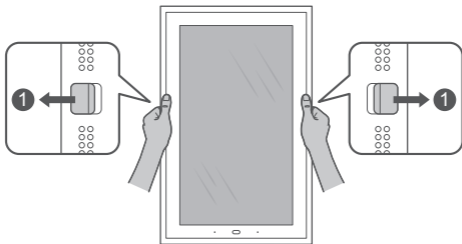


- 9 Install the outer frame.
 - 10 Plug the charger into the power supply.
- The outer frame is made of wood and metal. Since the metal is heavier, users can choose according to the situation whether it should be installed first.

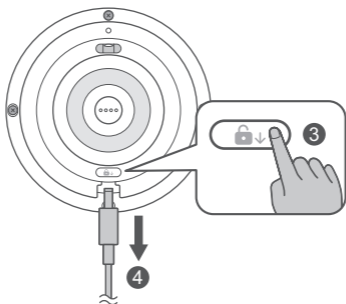
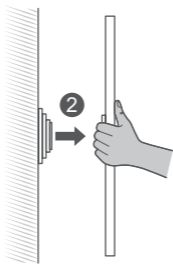


- The product supports horizontal and vertical rotation.

Removal Instructions

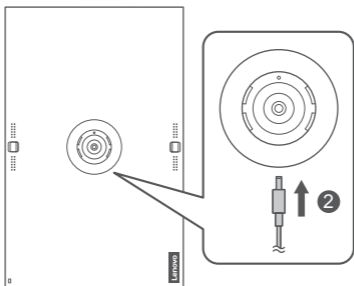
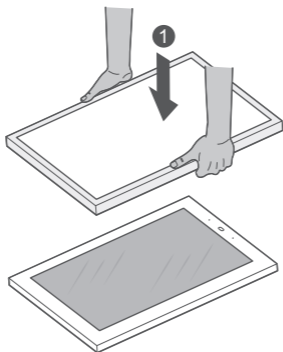


- 1 Push the unlock buttons.

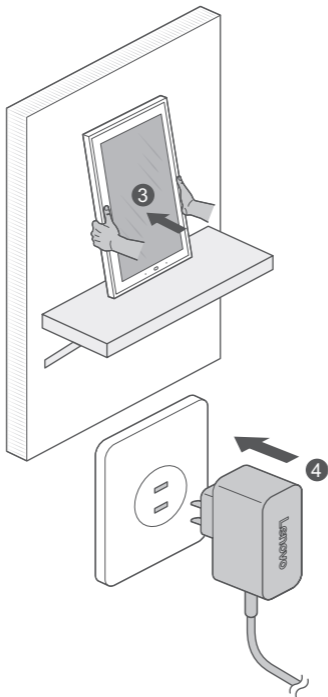


- 2** Remove the frame, you can also first remove the outer frame and then remove the frame. If starting from the outer frame, remove starting from the four corners.
- 3 - 4** Press the unlock button, and pull the charging head gently.

Desktop mode



- 1 Install the outer frame.
- 2 Connect the power adapter.



- 3 Put it on the table.
- 4 Plug the charger into the power supply.

Important safety and handling information

Plastic bag notice

Danger: Plastic bags can be dangerous. Keep plastic bags away from babies and children to avoid danger of suffocation.

Safety instructions for parents and adult supervisors

Your mobile device is not a toy. As with all electrical products, precautions should be observed during handling and using of electrical products to reduce the risk of electric shock. If parents choose to allow children to use the device, they should caution his or her child about the potential hazard while using and handling the mobile device.

Parents should inspect the mobile device (including the ac power adapter and the small part, as applicable) periodically for damage. Routinely check this mobile device to ensure that the device is working properly and is safe for children to use.

Service and support information

Lenovo Limited Warranty notice

This product is covered by the terms of the Lenovo Limited Warranty (LLW), version L5050010-02 08/2011. Read the LLW at https://www.lenovo.com/warranty/llw_02. You can view the LLW in a number of languages from this website.

Warranty information

Lenovo provides a warranty period for your device. To check the warranty status of your device purchase upgrades, go to <https://support.lenovo.com/warrantylookup>, and then select the product and follow the on-screen instructions.

Get support

Log into Smart Frame APP, get support from Lenovo by entering “Help” page.”

Visit Lenovo’s support website (<https://support.lenovo.com>) with the device serial number to get more Lenovo support options, or scan the QR code, and then follow the on-screen instructions.



Environmental, recycling, and disposal information

General recycling statement

Lenovo encourages owners of information technology (IT) equipment to responsibly recycle their equipment when it is no longer needed. Lenovo offers a variety of programs and services to assist equipment owners in recycling their IT products. For information on recycling Lenovo products, go to <http://www.lenovo.com/recycling>.

WEEE information



Electrical and electronic equipment marked with the symbol of a crossed-out wheeled bin may not be disposed as unsorted municipal waste. Waste of electrical and electronic equipment (WEEE) shall be treated separately using the collection framework available to customers for the return, recycling, and treatment of WEEE. Country-specific information is available at: <http://www.lenovo.com/recycling>

Recycling information for Japan

Recycling and disposal information for Japan is available at:

<http://www.lenovo.com/recycling/japan>

Additional recycling statements

Additional information about recycling device components and batteries is in your *User Guide*. See “**Accessing your User Guide**” for details.

Restriction of Hazardous Substances Directive (RoHS)

Turkey

Lenovo products sold in Turkey, on or after June 1, 2009, meet the requirements of the former Republic of Turkey Restriction of Hazardous Substances legislation from 30th of May 2008 and the Control of Waste Electrical and Electronic Equipment Regulations from 22nd of May 2012 (“Turkey RoHS”).

Ukraine

Lenovo products sold in Ukraine, on or after January 1, 2011, meet the requirements of the Technical Directive on Restriction of Hazardous Substances in Electric and Electronic Equipment enforced by the Government, Decision No 1057 dated 2008/12/03” (“Ukraine TR on RoHS”).

India

Lenovo products sold in India, on or after May 1, 2012, meet the requirements of the India E-waste (Management) Rules (“India RoHS”).

Vietnam

Lenovo products sold in Vietnam, on or after September 23, 2011, meet the requirements of the Vietnam Circular 30/2011/TT-BCT (“Vietnam RoHS”).

European Union

Lenovo Products meet the requirement of Directive 2011/65/EC on the restriction of the use of the certain hazardous substances in electrical and electronic equipment (“RoHS 2”). Lenovo products sold in the European Union, from the 21st July 2019, meet the requirement of Commission Delegated Directive (EU 2015/863) amending Directive 2011/65/EU. For more information about Lenovo progress on RoHS, go to: https://www.lenovo.com/us/en/social_responsibility/RoHS-Communication.pdf

Singapore

Lenovo products sold in Singapore, on or after June 1, 2017, meet the requirements of Government Gazette order No. S 263/2016 Restriction of Hazardous Substances in Electrical and Electronic Equipment in Singapore (“SG-RoHS”).

European Union compliance statement

European Union conformity



Compliance with the RE Directive

Lenovo PC HK Limited declares that the radio equipment type Lenovo CD-3L501F, is in compliance with Directive 2014/53/EU.

The full text of the EU declaration of conformity is available at the following internet address:

<https://www.lenovo.com/us/en/compliance/eu-doc>

This radio equipment operates with the following frequency bands and maximum radio-frequency power:

Model Name	Frequency Bands (MHz)	Maximum Conducted Power (dBm)
Lenovo CD-3L501F	WLAN 2400-2483.5	20
	WLAN 5150-5250	20
	WLAN 5250-5350	20
	WLAN 5470-5725	20
	WLAN 5725-5850	<14
	Bluetooth 2400-2483.5	<10

- ⓘ The above information is for EU countries only. Please refer to the actual product for supported frequency bands in other countries.

© Copyright Lenovo 2020.

Reduce | Reuse | Recycle



V1.0_20200302



SSC8C09735

MC

Printed in China

Lenovo

Lenovo CD-3L501F

Regulatory Notice v1.0

Lenovo Regulatory Notice

■ Read first — regulatory information

Read this document before using your device. This device complies with the radio frequency and safety standards of any country or region in which it has been approved for wireless use. Install and use your device according to the following instructions.

The latest version of this Regulatory Notice has also been uploaded on the Lenovo Support Web site. To refer to it, go to <http://support.lenovo.com/>, and then click Guides & Manuals.

Lisez ce document avant d'utiliser votre appareil . Cet appareil est conforme aux normes d'un pays ou d'une région fréquence radio et de sécurité dans laquelle il a été approuvé pour une utilisation sans fil. Installez et utilisez votre appareil en suivant les instructions suivantes .

La dernière version de cet avis de la réglementation a également été téléchargé sur le site Web de support Lenovo . Pour la consulter , allez à <http://support.lenovo.com/> , puis cliquez sur Guides et manuels .

■ USA — Federal Communications Commission (FCC)

I. Integrated WLAN & Bluetooth function

- FCC ID: O57CD3L501F

Wireless LAN function marketed in the USA and Canada do not support nor function in the extended channels (12ch,13ch).

i) FCC RF Exposure statement:

The device should be installed and operated with a minimum distance of 20cm between the radiator and your body.

ii) FCC ID of wireless function:

The FCC ID for the Integrated WLAN & Bluetooth function is indicated on the label affixed on the bottom side of your device.

iii) Radio Frequency interference requirements:

- This product has been tested and found to comply with the limits for a Class B digital device pursuant to FCC Part 15 Subpart B and C and E.

II. Simultaneous use of RF transmitters

Please make sure of the following conditions on use of wireless features:

1. When you use any other RF option device, all other wireless features including the above integrated devices in your Lenovo device are required to be turned off.

2. Users must follow the RF Safety instructions on wireless option devices that are included in the RF option device's user's manual.

■ Electronic emission notices for North America

Federal Communications Commission (FCC) Supplier's Declaration of Conformity

The following information refers to [Lenovo CD-3L501F] , machine type: [ZA6G]

This equipment has been tested and found to comply with the limits for a Class B digital device, pursuant to Part 15 of the FCC Rules. These limits are designed to provide reasonable protection against harmful interference in a residential installation. This equipment generates, uses, and can radiate radio frequency energy and, if not installed and used in accordance with the instructions, may cause harmful interference to radio communications. However, there is no guarantee that interference will not occur in a particular installation. If this equipment does cause harmful interference to radio or television reception, which can be determined by turning the equipment off and on, the user is encouraged to try to correct the interference by one or more of the following measures:

- Reorient or relocate the receiving antenna.
- Increase the separation between the equipment and receiver.
- Connect the equipment into an outlet on a circuit different from that to which the receiver is connected.
- Consult an authorized dealer or service representative for help.

Lenovo is not responsible for any radio or television interference caused by using other than recommended cables and connectors or by unauthorized changes or modifications to this equipment. Unauthorized changes or modifications could void the user's authority to operate the equipment.

This device complies with Part 15 of the FCC Rules. Operation is subject to the following two conditions: (1) this device may not cause harmful interference, and (2) this device must accept any interference received, including interference that may cause undesired operation.

Responsible Party:

Lenovo (United States) Incorporated
7001 Development Drive
Morrisville, NC 27560
Email: FCC@lenovo.com

■ Canada- Innovation, Science and Economic Development

Canada (ISED)

I) Integrated WLAN & Bluetooth function

- IC: 10407A-CD3L501F

Wireless LAN Integrated WLAN & Bluetooth function marketed in the USA and Canada do not support nor function in the extended channels (12ch, 13ch).

The IC number for the Integrated WLAN & Bluetooth function is indicated on the label affixed on the bottom side of your device.

II) Low power license-exempt radio communication devices (RSS-247):

Operation is subject to the following two conditions:

1. This device may not cause interference, and
2. this device must accept any interference, including interference that may cause undesired operation of the device.

L'appareil doit être installé et utilisé avec une distance minimale de 20 cm entre le radiateur et votre corps.

Usage of this device is limited to indoor in the band 5150-5250MHz

III) Exposure of humans to RF fields (RSS-102):

Lenovo products employ low gain integral antennas that do not emit RF field in excess of Health Canada limits for the general population; consult Safety Code 6, obtainable from Health Canada's Web site at www.hc-sc.gc.ca/rpb

The radiated energy from the antennas connected to the wireless adapters conforms to the IC limit of the RF exposure requirement regarding IC RSS-102, Issue 5 clause 4.2.

Numéro d'homologation IC

I) Modules de réseaux local sans fil pré-installé à l'usine:

- IC: 10407A- CD3L501F

Fonction LAN sans fil WLAN et Bluetooth intégré commercialisé aux Etats-Unis et le Canada ne prend pas en charge ni fonction dans les canaux étendus (12CH, 13CH).

Le numéro IC pour la fonction WLAN et Bluetooth intégré est indiqué sur l'étiquette apposée sur le côté bas de votre appareil.

II) Remarque relative aux appareils de communication radio de faible puissance sans licence (CNR-247):

Le fonctionnement de ce type d'appareil est soumis aux deux conditions suivantes:

1. Cet appareil ne doit pas perturber les communications radio, et
2. cet appareil doit supporter toute perturbation, y compris les perturbations qui pourraient provoquer son dysfonctionnement.

L'utilisation de ce dispositif est limitée à l'intérieur dans le 5150-5250MHz de bande

III) Exposition des êtres humains aux champs radioélectriques (RF) (CNR-102):

Produits Lenovo emploient antennes à gain faible intégrales qui ne émette pas de champ RF dépassant les limites de Santé Canada pour la population générale ; consultez le Code de sécurité 6, disponible sur le site Web de Santé Canada à www.hc-sc.gc.ca/rpb

L'énergie rayonnée par les antennes reliées aux adaptateurs sans fil conforme à la limite IC de l'exigence de l'exposition aux RF IC concernant RSS - 102 , Issue 5 clause 4.2

For model: Lenovo CD-3L501F



BG

С настоящото [Lenovo PC HK Limited] декларира, че този тип радиосъоръжение [Lenovo TB-8505F] е в съответствие с Директива 2014/53/ЕС. Цялостният текст на ЕС декларацията за съответствие може да се намери на следния интернет адрес:

[http://www.lenovo.com/us/en/social_responsibility/EU_DoC_tablets]

И з п о л з в а н е т о на това устройство е ограничено до употреба на закрито в честотен диапазон 5150–5350 MHz (каналы 36, 40, 44, 48, 52, 56, 60, 64).

CS

Tímto [Lenovo PC HK Limited] prohlašuje, že typ rádiového zařízení [Lenovo TB-8505F] je v souladu se směrnicí 2014/53/EU. Úplné znění EU prohlášení o shodě je k dispozici na této internetové adrese:

[http://www.lenovo.com/us/en/social_responsibility/EU_DoC_tablets]

Použití tohoto zařízení je omezeno na vnitřní prostory a pásmo 5 150–5 350 MHz (kanály 36, 40, 44, 48, 52, 56, 60, 64).

DA

Hermed erklærer [Lenovo PC HK Limited] , at radioudstyrstypen [Lenovo TB-8505F] er i overensstemmelse med direktiv 2014/53/EU. EU-overensstemmelseserklæringens fulde tekst kan findes på følgende internetadresse:

[http://www.lenovo.com/us/en/social_responsibility/EU_DoC_tablets]

Brugen af dette apparat er begrænset til indendørs i båndet fra 5150 til 5350 MHz (kanal 36, 40, 44, 48, 52, 56, 60, 64).

DE

Hiermit erklährt [Lenovo PC HK Limited] , dass der Funkanlagentyp [Lenovo TB-8505F] der Richtlinie 2014/53/EU entspricht. Der vollständige Text der EU-Konformitätserklärung ist unter der folgenden Internetadresse verfügbar:

[http://www.lenovo.com/us/en/social_responsibility/EU_DoC_tablets]

Der Einsatz dieses Geräts ist beschränkt auf Innenräume sowie einen Frequenzbereich zwischen 5150 MHz und 5350 MHz (Kanal 36, 40, 44, 48, 52, 56, 60, 64).

EL

Με την παρούσα ο/η [Lenovo PC HK Limited] , δηλώνει ότι ο ραδιοεξοπλισμός [Lenovo TB-8505F] πληροί την οδηγία 2014/53/ΕΕ. Το πλήρες κείμενο της δήλωσης συμμόρφωσης ΕΕ διατίθεται στην ακόλουθη ιστοσελίδα στο διαδίκτυο:

[http://www.lenovo.com/us/en/social_responsibility/EU_DoC_tablets]

Η χρήση αυτής της συσκευής περιορίζεται σε εσωτερικούς χώρους στη ζώνη 5150 με 5350 MHz (κανάλια 36, 40, 44, 48, 52, 56, 60, 64).

EN

Hereby, [Lenovo PC HK Limited] declares that the radio equipment type [Lenovo TB-8505F] is in compliance with Directive 2014/53/EU. The full text of the EU declaration of conformity is available at the following internet address:

[http://www.lenovo.com/us/en/social_responsibility/EU_DoC_tablets]

Usage of this device is limited to indoor in the band 5150 to 5350 MHz (channels 36, 40, 44, 48, 52, 56, 60, 64).

ES

Por la presente, [Lenovo PC HK Limited] declara que el tipo de equipo radioeléctrico [Lenovo TB-8505F] es conforme con la Directiva 2014/53/UE. El texto completo de la declaración UE de conformidad está disponible en la dirección Internet siguiente:

[http://www.lenovo.com/us/en/social_responsibility/EU_DoC_tablets]

El uso de este dispositivo se limita a interiores en la banda de 5.150 a 5.350 MHz (canales 36, 40, 44, 48, 52, 56, 60, 64).

ET

Käesolevaga deklareerib [Lenovo PC HK Limited] , et käesolev raadioseadme tüüp [Lenovo TB-8505F] vastab direktiivi 2014/53/EL nõuetele. ELi vastavusdeklaratsiooni täielik tekst on kättesaadav järgmisel internetiaadressil:

[http://www.lenovo.com/us/en/social_responsibility/EU_DoC_tablets]

Seade on kasutamiseks ainult siseruumides sagedusribas 5150 kuni 5350 MHz (kanalid 36, 40, 44, 48, 52, 56, 60, 64).

FI

[Lenovo PC HK Limited] vakuuttaa, että radiolaitetyyppi [Lenovo TB-8505F] on direktiivin 2014/53/EU mukainen. EU-vaatimustenmukaisuusvakuutuksen täysimittainen teksti on saatavilla seuraavassa internetosoitteessa:

[http://www.lenovo.com/us/en/social_responsibility/EU_DoC_tablets]

Tämän laitteen käyttö on rajoitettu sisätiloihin taajuusalueelle 5150-5350 MHz (kanavat 36, 40, 44, 48, 52, 56, 60, 64).

FR

Le soussigné, [Lenovo PC HK Limited] , déclare que l'équipement radioélectrique du type [Lenovo

TB-8505F] est conforme à la directive 2014/53/UE. Le texte complet de la déclaration UE de conformité est disponible à l'adresse internet suivante:

[http://www.lenovo.com/us/en/social_responsibility/EU_DoC_tablets]

Ce dispositif est limité à une utilisation en intérieur dans la bande 5150-5350 MHz (canaux 36, 40, 44, 48, 52, 56, 60, 64).

HR

[Lenovo PC HK Limited] ovime izjavljuje da je radijska oprema tipa [Lenovo TB-8505F] u skladu s Direktivom 2014/53/EU. Cjeloviti tekst EU izjave o sukladnosti dostupan je na sljedećoj internetskoj adresi:

[http://www.lenovo.com/us/en/social_responsibility/EU_DoC_tablets]

Upotreba ovog uređaja ograničena je na zatvorene prostore u pojasu od 5150 do 5350 MHz (kanali 36, 40, 44, 48, 52, 56, 60, 64).

HU

[Lenovo PC HK Limited] igazolja, hogy a [Lenovo TB-8505F] típusú rádióberendezés megfelel a 2014/53/EU irányelvnek. Az EU-megfelelőségi nyilatkozat teljes szövege elérhető a következő internetes címen:

[http://www.lenovo.com/us/en/social_responsibility/EU_DoC_tablets]

A készülék kizárólag beltéri használatra alkalmas az 5150–5350 MHz-es sávban (36, 40, 44, 48, 52, 56, 60, 64 csatorna).

IT

Il fabbricante, [Lenovo PC HK Limited], dichiara che il tipo di apparecchiatura radio [Lenovo TB-8505F] è conforme alla direttiva 2014/53/UE. Il testo completo della dichiarazione di conformità UE è disponibile al seguente indirizzo Internet:

[http://www.lenovo.com/us/en/social_responsibility/EU_DoC_tablets]

Notkun á þessu tæki er takmörkuð innanhúss við tíðnisviðið 5150-5350 MHz (rásir 36, 40, 44, 48, 52, 56, 60, 64).

LT

Aš, [Lenovo PC HK Limited], patvirtinu, kad radijo įrenginių tipas [Lenovo TB-8505F] atitinka Direktyvą 2014/53/ES. Visas ES atitikties deklaracijos tekstas prieinamas šiuo interneto adresu:

[http://www.lenovo.com/us/en/social_responsibility/EU_DoC_tablets]

Šio prietaiso naudojimas ribojamas – jį galima naudoti patalpų viduje 5150–5350 MHz diapazono juostoje (36, 40, 44, 48, 52, 56, 60, 64 kanalai).

LV

Ar šo [Lenovo PC HK Limited] deklarē, ka radioiekārta [Lenovo TB-8505F] atbilst Direktīvai 2014/53/ES. Pilns ES atbilstības deklarācijas teksts ir pieejams šādā interneta vietnē:

[http://www.lenovo.com/us/en/social_responsibility/EU_DoC_tablets]

Šī ierīce paredzēta lietošanai iekšējās 5150-5350 MHz joslā (kanāli: 36, 40, 44, 48, 52, 56, 60, 64).

NL

Hierbij verklaar ik, [Lenovo PC HK Limited] , dat het type radioapparatuur [Lenovo TB-8505F] conform is met Richtlijn 2014/53/EU. De volledige tekst van de EU-conformiteitsverklaring kan worden geraadpleegd op het volgende internetadres:

[http://www.lenovo.com/us/en/social_responsibility/EU_DoC_tablets]

Dit apparaat kan alleen binnenshuis worden gebruikt in de band 5150-5350 MHz (kanalen 36, 40, 44, 48, 52, 56, 60, 64).

PL

[Lenovo PC HK Limited] niniejszym oświadcza, że typ urządzenia radiowego [Lenovo TB-8505F] jest zgodny z dyrektywą 2014/53/UE. Pełny tekst deklaracji zgodności UE jest dostępny pod następującym adresem internetowym:

[http://www.lenovo.com/us/en/social_responsibility/EU_DoC_tablets]

Urządzenie to można używać tylko w pomieszczeniach oraz w paśmie od 5150 do 5350 MHz (kanały nr 36, 40, 44, 48, 52, 56, 60, 64).

PT

O(a) abaixo assinado(a) [Lenovo PC HK Limited] declara que o presente tipo de equipamento de rádio [Lenovo TB-8505F] está em conformidade com a Diretiva 2014/53/UE. O texto integral da declaração de conformidade está disponível no seguinte endereço de Internet:

[http://www.lenovo.com/us/en/social_responsibility/EU_DoC_tablets]

A utilização deste dispositivo está limitada a espaços interiores, nas bandas 5150-5350 MHz (canais 36, 40, 44, 48, 52, 56, 60, 64).

RO

Prin prezenta, [Lenovo PC HK Limited] declară că tipul de echipamente radio [Lenovo TB-8505F] este în conformitate cu Directiva 2014/53/UE. Textul integral al declarației UE de conformitate este disponibil la următoarea adresă internet:

[http://www.lenovo.com/us/en/social_responsibility/EU_DoC_tablets]

Utilizarea acestui dispozitiv este limitată la interior în banda 5.150 - 5.350 MHz (canalele 36, 40, 44, 48, 52, 56, 60, 64).

SK

[Lenovo PC HK Limited] týmto vyhlasuje, že rádiové zariadenie typu [Lenovo TB-8505F] je v súlade so smernicou 2014/53/EÚ. Úplné EÚ vyhlásenie o zhode je k dispozícii na tejto internetovej adrese:

[http://www.lenovo.com/us/en/social_responsibility/EU_DoC_tablets]

Toto zariadenie možno používať len v interiéri v pásme 5 150 – 5 350 MHz (kanály 36, 40, 44, 48, 52, 56, 60, 64).

SL

[Lenovo PC HK Limited] potrjuje, da je tip radijske opreme [Lenovo TB-8505F] skladen z Direktivo 2014/53/EU. Celotno besedilo izjave EU o skladnosti je na voljo na naslednjem spletnem naslovu:

[http://www.lenovo.com/us/en/social_responsibility/EU_DoC_tablets]

Uporaba te naprave je dovoljena v zaprtih prostorih v pasu 5150–5350 MHz (kanali 36, 40, 44, 48, 52, 56, 60 in 64).

SV

Härmed försäkrar [Lenovo PC HK Limited] att denna typ av radioutrustning [Lenovo TB-8505F] överensstämmer med direktiv 2014/53/EU. Den fullständiga texten till EU-försäkran om överensstämmelse finns på följande webbadress:

[http://www.lenovo.com/us/en/social_responsibility/EU_DoC_tablets]

Användning av denna enhet är begränsad till inomhus i bandet 5150-5350 MHz (kanal 36, 40, 44, 48, 52, 56, 60, 64).

IS

[Lenovo PC HK Limited] lýsir yfir að radióbúnaður gerð [Lenovo TB-8505F] er í samræmi við tilskipun 2014/53/EU. Heildartexta EU samræmisýfirlýsing er í boði á eftirfarandi veffangi:

[http://www.lenovo.com/us/en/social_responsibility/EU_DoC_tablets]

Notkun á þessu tæki er takmörkuð innanhúss við tíðnisviðið 5150-5350 MHz (rásir 36, 40, 44, 48, 52, 56, 60, 64).

NO

[Lenovo PC HK Limited] erklærer at radioutstyret av typen [Lenovo TB-8505F] er i samsvar med direktivet 2014/53/EU. Den fulle teksten til EUs samsvarserklæring finnes på følgende internettadresser:

[http://www.lenovo.com/us/en/social_responsibility/EU_DoC_tablets]

Bruk av denne enheten er begrenset til innendørs på båndet 5150–5350 MHz (kanalene 36, 40, 44, 48, 52, 56, 60, 64).

New World. New Thinking.™

www.lenovo.com