




Lenovo BKC800/BKC900

Quick Start Guide

(WINDOWS)

 * For reference only, please refer to our actual product.

* The BKC800 keyboard is only for the YOGA Tablet 2-10xx and the BKC900 is for the YOGA Tablet 2-13xx. The "xx" represents the tablet module number, such as: 51F

Learn more

For more information about tablet functions and useful manuals, go to <http://support.lenovo.com/>. To read this manual on your tablet, please access "User Guide" from the Browser favorites in your tablet.

Getting support

For support on network service and billing, please contact your wireless network operator. For instructions on how to use your tablet, go to <http://support.lenovo.com/>.

Legal notices

Lenovo and the Lenovo logo are trademarks of Lenovo in the United States, other countries, or both.

Other company, product, or service names may be trademarks or service marks of others.

First Edition (August 2014)

© Copyright Lenovo 2014.

Reduce | Reuse | Recycle



252-01401L-A01US
Printed in China

Specifications

Bluetooth version	4.0	Battery life	>75 days ^①
Battery capacity	450 mAh	Charging current	250 mA
Charging voltage	5 V	Wireless range	10 m

Special function keys

Application & Access

BKC800



Browser home



Application key

prtsc

Save screen image



Display start screen

BKC900



Browser home



Browser back



Browser forward

prtsc

Save screen image



Display start screen

Volume



Mute



Turn volume down



Turn volume up

Media controls



Previous



Next



Play/Pause

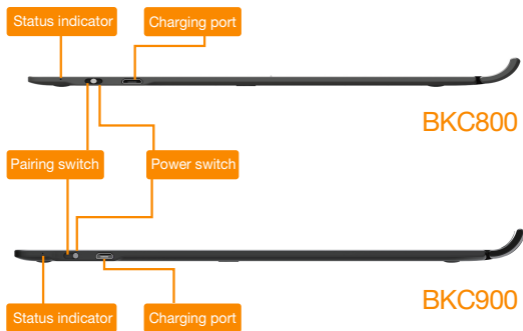


STOP

^① Calculated by 2 hours in normal daily use.

Introduction*

The Bluetooth Keyboard Cover can be used to control a tablet using distinctive orange combination keys (for details, see special function keys) . The keyboard and the tablet can be combined for easy carrying.



Bluetooth Pairing

Turn on the keyboard's power switch to power up the keyboard. The keyboard will attempt to connect to the last connected device. The indicator will be blue.

If the keyboard has been turned on, and no indicator is flashing after the pairing switch has been set to Bluetooth for more than one second, the keyboard will enter into pairing mode to pair with the tablet, and the keyboard can be discovered by other devices.

If the pairing is successful, the indicator will turn off.

Charging the Bluetooth Keyboard Cover

It takes approximately three hours to fully charge the Bluetooth Keyboard Cover for the first time, or after the battery has been fully depleted. To charge the Bluetooth Keyboard Cover, connect the USB connector to the USB port of a computer or to the charger, and correctly attach the other end of the charging cable to the Keyboard's charging port. When the status indicator glows red continuously, this indicates that the Bluetooth Keyboard Cover is charging. Use the dedicated USB charging cable to avoid damaging the Bluetooth Keyboard Cover.

Status indicator

Flashing red	The battery capacity is insufficient.
Constant red	The Bluetooth Keyboard Cover is charging. When charging is complete, the indicator will turn off.
Flashing blue quickly	Attempting to connect to last connected device. If it connects successfully, the indicator turn off after being on for two seconds.
Flashing blue slowly	The keyboard is in pairing mode and can be discovered by other devices. If the pairing is successful, the indicator will turn off after being on for two seconds.

Combining with a tablet

When not in use, carefully place the tablet screen face down onto the Bluetooth Keyboard Cover. The magnetic clip will hold the tablet in position.

When using the tablet, flip open the tablet cover to the standing position.



BKC800



BKC900

Connecting to a tablet setup

Before using the Bluetooth Keyboard Cover for the first time, connect it to the tablet.

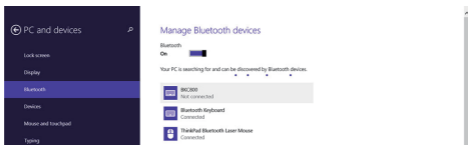
Step 1: Turn the keyboard's power switch on. Wait for LED to stop flashing and then set the pairing switch to the Bluetooth logo for one second or longer. The status indicator on the keyboard will flash quickly, and the keyboard can be discovered by other devices.

Step 2: On the tablet, choose **PC settings > PC and device > Bluetooth** and set Bluetooth to "On".

Step 3: A prompt indicating that the keyboard is searching is displayed in the center of the tablet screen.

Step 4: Select **BKC800 or BKC900** from the list of available devices on the tablet screen.

When the prompt indicating that the **BKC800 or BKC900** has been connected is displayed, the keyboard has successfully connected to the tablet.



If the Bluetooth Keyboard Cover has previously connected to the tablet successfully, it will automatically connect to the tablet via Bluetooth when it is turned on. If the connection fails, check the tablet to see if Bluetooth is set to ON and then reconnect using the previous four steps.

Selecting the Preferred Language

After pairing with the tablet, please follow the steps and the image below to select your preferred language.

1. On the tablet, choose **Setting > Control Panel**, and then choose **Add a language**
2. Choose add a language in Change your language preferences.
3. Select the language you want to use then press Add button in the menu.
4. If multi-language layouts selected, user can use "ctrl+space" to switch the layout.

