



# Page Rule

- Page1 : Page Rule introduction
- Page2 : schematic Version History
- Page3 : PMU(Power part)/Shield/Mark point
- Page4 : Charging Module/Battery interface/OVP/NTC/CC-logic
- Page5 : RF DRX/TXM/ANT Tunner
- Page6 : RF DRX
- Page7 : RF PRX
- Page8 : RF PRX
- Page9 : RF LTE PA
- Page10: CPU(RF part)/Transceiver/crystal circuit/SW read RFversion
- Page11: WCN Module(BT/WIFI/FM/GPS)/CPU(WCN part)
- Page12: CPU(Digital Power part/Anologic power part)/Buck
- Page13: CPU(Peripheral part/LCD&CAM part)
- Page14: CPU(EMMC&LPDDR3/DDR4/X part)/Test part
- Page15: Memory(EMMC/DDR3/DDR4/DDR4X)/Buck
- Page16: Connetor(SIM/T/Sidekey/Spring/USB)
- Page17: CAM(Front/Back/Sub back-CAM/LED(Flashlight/indicator light)/LED driver)
- Page18: LCD/Bias IC/LCD backlight driver
- Page19: Sensor(Finger/AL+P/3D/Compass/Gyroscope)
- Page20: PMU(Audio part)
- Page21: Audio(Headphone/Audio PA/SPK/Reciver/MIC/VIB)
- Page22: NFC
- Page23: Sub-PMU

ALL RIGHTS RESERVED. REPRODUCTION AND DISCLOSURE PROHIBITED

MODIFIED	NAME	DATE	CHECKED	NAME	DATE
	SCHEMATIC	11/NOV/2021		SCHEMATIC	11/NOV/2021
TITLE		Product Name			
Page Rule		SCHEMATIC BOARD se668t_main_v10c			
P. N.				FORMAT SIZE	PAGE/SHEET
				A2	1 / 29
VER.	DATE	DOCUMENT NUMBER	TYPE	PART	VERS.

History

Date	Version	Owner	Description
2023/04/21	V1.0C	Zhou AiRong	SCH same as SE6685_MAIN.V1.0C

DEFINITIONS

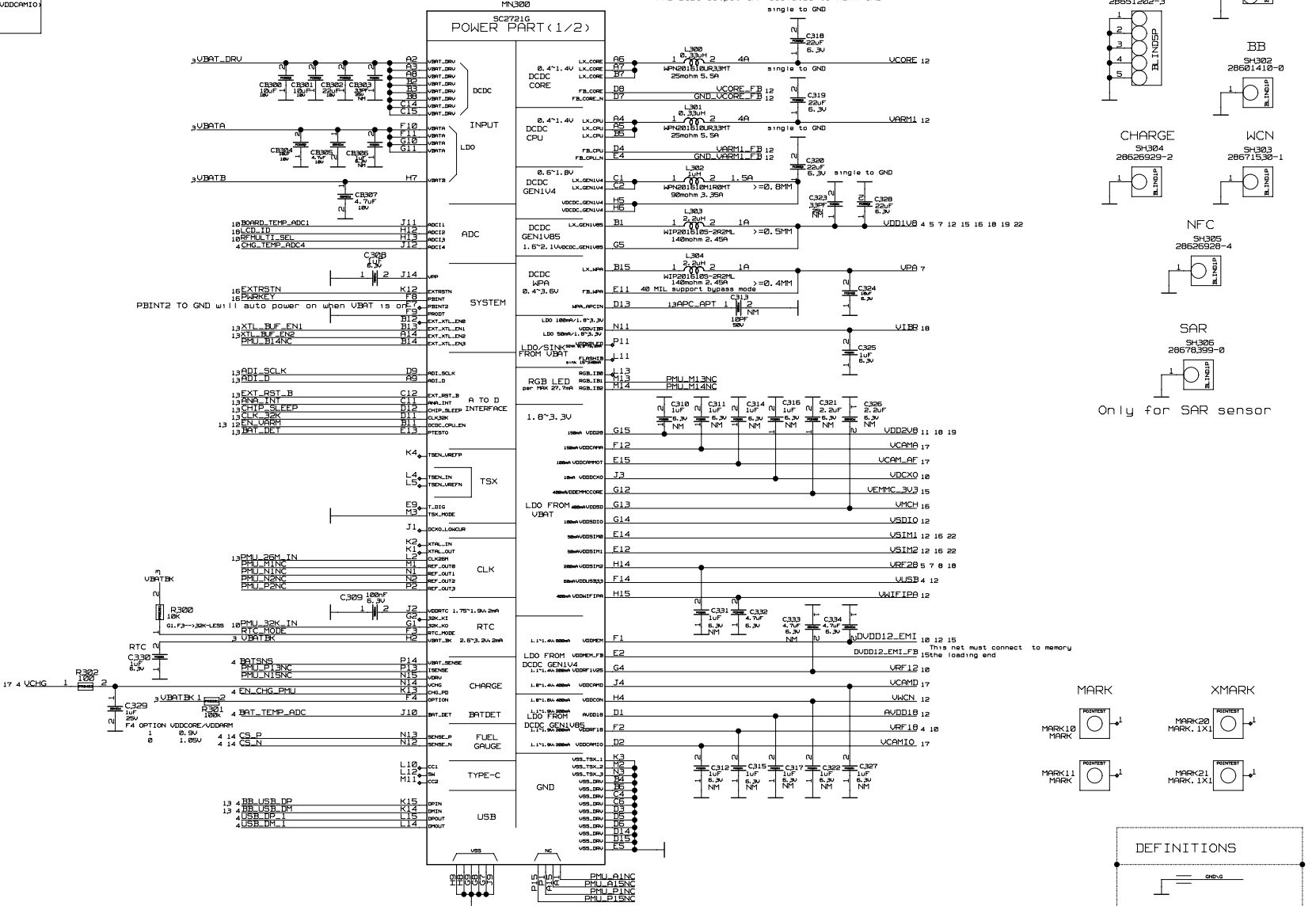
DRAWING:  
 BOARD SE668T\_MAIN.V1.0C  
 board se668t\_main.v1.0c  
 LAST\_MODIFIED=Fri Apr 21 14:40:50 2023

ALL RIGHTS RESERVED.REPRODUCTION AND DISCLOSURE PROHIBITED

MODIFIED	NAME	DATE	CHECKED	NAME	DATE
-	SCHEMATIC	11/NOV/2021	-	SCHEMATIC	11/NOV/2021
TITLE		HISTORY			
Product Name		SCHEMATIC BOARD se668t_main_v10c			
P. N.				FORMAT	PAGE/SHEET
				A2	2 / 29
VER.	DATE	DOCUMENT NUMBER	TYPE	PART	VERS.
-	-	-	-	-	-

Symbol	Vout(V)	IMAX (mA)	Description
DCDCCPU	0.4*1.4	4000	ARM
DCDCCORE	0.4*1.4	4000	CORE
DCDCGENU4	0.4*1.8	1500	LDO INPUT+VDDMEM+VDDRF1+V2S+VDDCAMD
DCDCGENV8	1.6*2.1	1000	LDO INPUT+VDDCON+VDDI8+VDDRF1B+VDDCAM10
DCDCGPA	0.4*3.6	1000	RF PA

Symbol	Vout(V)	Trace width	IMAX (mA)	Description
VDDCAM9	1.8*3.3	>=0.2mm	150	CAMERA
VDDCAM10	1.8*3.3	>=0.2mm	100	CAMERA
VDDSIM0	1.8*3.3	>=0.1mm	50	SIM Card
VDDSIM1	1.8*3.3	>=0.1mm	50	SIM Card
VDDSIM2	1.8*3.3	>=0.2mm	200	SIM Card/RF
VDD2S	1.8*3.3	>=0.2mm	200	TO
VDDMEMPCORE	1.8*3.3	>=0.4mm	400	EMMC
VDDSD	1.8*3.3	>=0.4mm	400	SD Card
VDDSDIO	1.8*3.3	>=0.2mm	100	SD Card
VBATK	2.6*3.2	>=0.1mm	2	Backup battery
VDDRTC	1.75*1.9	>=0.2mm	2	RTC
VDDVIB	1.8*3.3	>=0.2mm	100	VIBRATOR
VDDKPLED	1.8*3.3	>=0.05mm	50	KPLED
VDDHIFPA	1.8*3.3	>=0.5mm	400	HIF1
VDDDCO	1.8*3.3	>=0.1mm	10	DCKO
VDDUSB3	1.8*3.3	>=0.1mm	50	USB
VDDCON	1.1*1.6	>=0.4mm	400	MCN CAMERA
VDDCAM10	1.1*1.9	>=0.2mm	200	LDS/CSI/DSI
VDDRF1B	1.1*1.9	>=0.4mm	200	RF
VDDRF1V2S	1.1*1.4	>=0.4mm	200	RF
VDDMEM	1.1*1.4	>=0.05mm	800	MEMORY
VDDCAMD	1.8*1.4	>=0.4mm	400	CAMERA



Only for SAR sensor

DEFINITIONS	
	GND

DRAWING:  
BOARD se668t\_main.v1.0c  
board se668t\_main.v1.0c  
LAST\_MODIFIED: Fri Apr 21 14:40:59 2023

ALL RIGHTS RESERVED. REPRODUCTION AND DISCLOSURE PROHIBITED

MODIFIED	NAME	DATE	CHECKED	NAME	DATE
	SCHEMATIC	11/NOV/2021		SCHEMATIC	11/NOV/2021

TITLE: SC2721G  
Product Name: SCHEMATIC BOARDse668t\_main.v1.0c

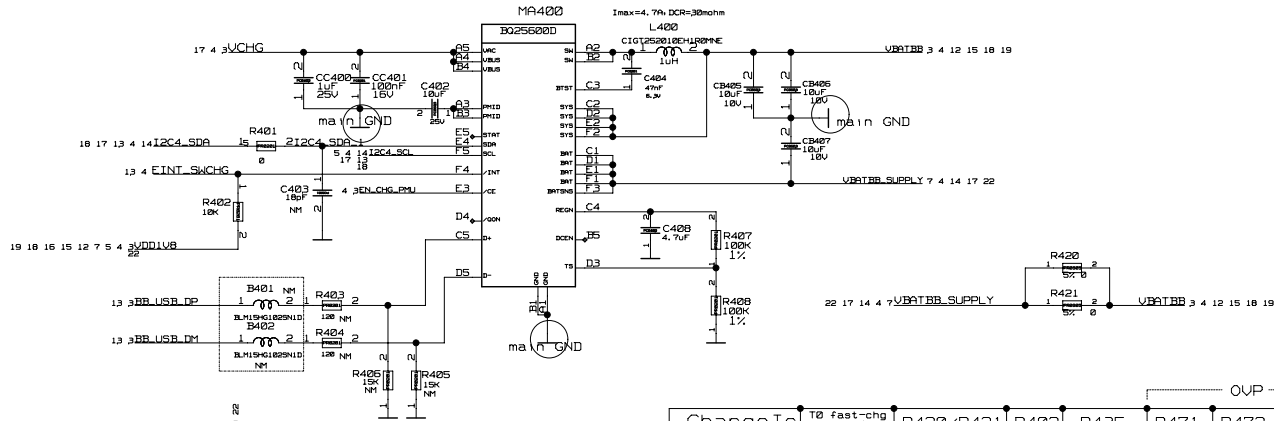
P. N. \_\_\_\_\_

FORMAT: A2

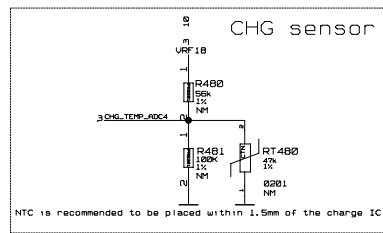
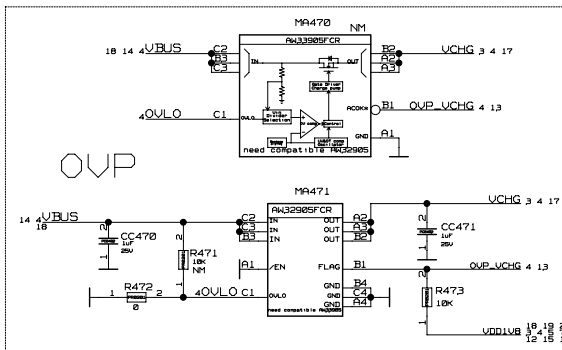
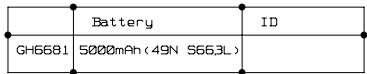
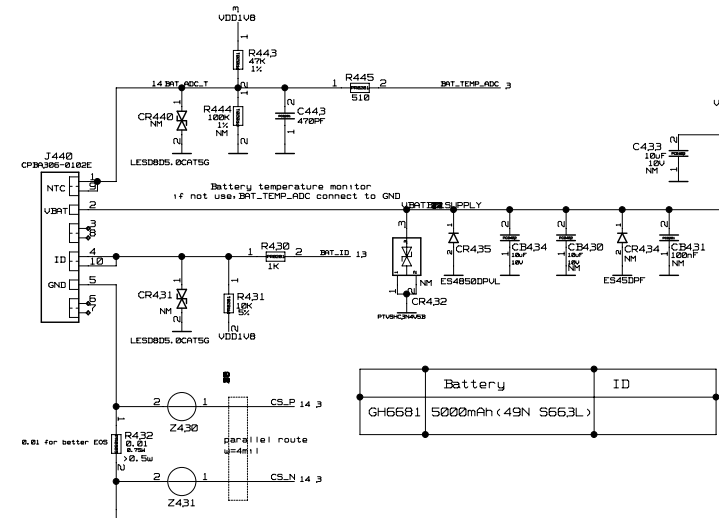
PAGE/SHEET: 3 / 29

VER.	DATE	DOCUMENT NUMBER	TYPE	PART	VERS.

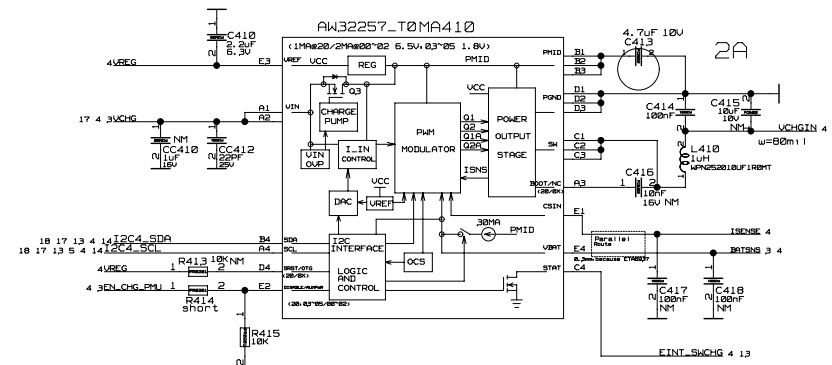
# Charge IC 3A SAM AS 5663L



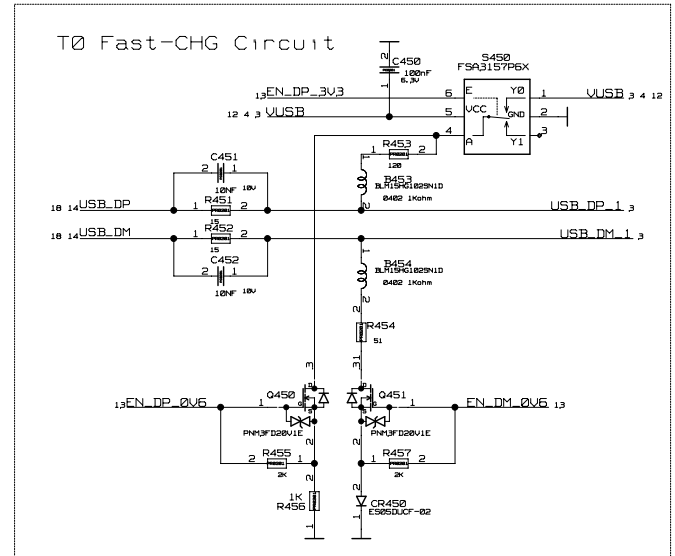
Charge IC	T0 fast-chg circuit	R420/R421	R402	R435	R471	R472	OVP
BQ25600D	T0 fast-chg circuit	NM	10K	NM	68K	8.2K	11.2V
AW32257	NM	0R	10K	0.033R	NM	0R	6.8V



# Charge IC 2A GH6681: PSC5425E



MA400	CC410	CC412	R413	C410	C416	R435	Address	OVP
AW32257	NM	22pF	NM	NM	NM	0.033	0x0-0x3	6.4V
PSC5425E	4.7uF	22pF	Mount	NM	NM	0.033	0x0-0x3	5.9V
ET46937	1uF	100nF	Mount	10nF	0	0	0x0-0x3	16V
BCT24157	1uF	NM	NM	NM	NM	0.068 (1A)	0x0-0x3	6.2V



DRAWING:  
BOARD SE668T\_MAIN.V1.0C  
BOARD SE668T\_MAIN.V1.0C  
LAST\_MODIFIED=Fri Apr 21 14:41:54 2023

ALL RIGHTS RESERVED. REPRODUCTION AND DISCLOSURE PROHIBITED

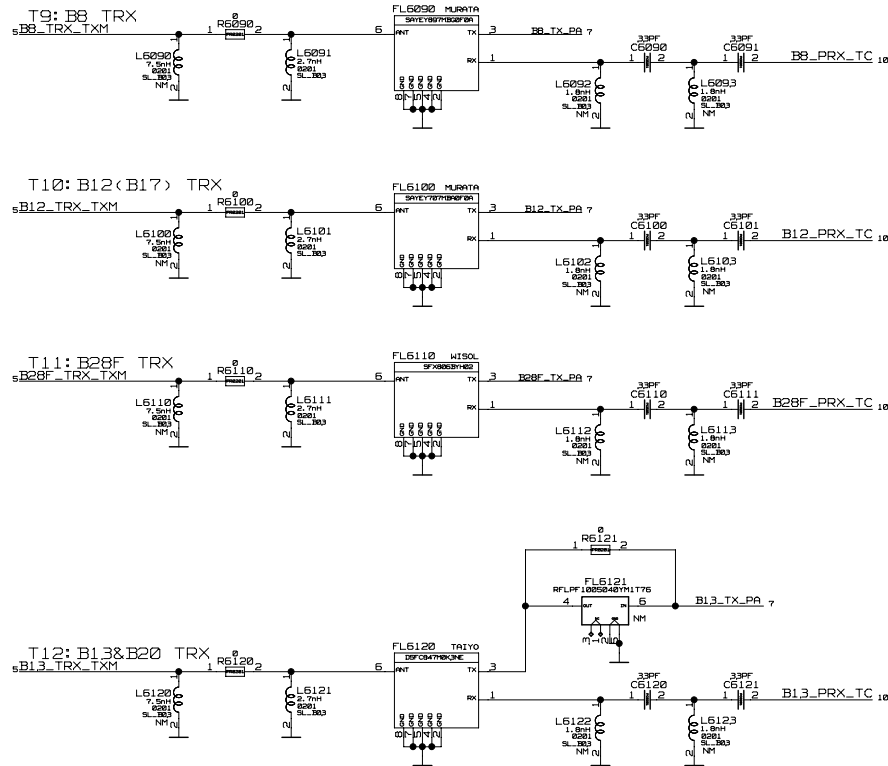
MODIFIED	NAME	DATE	CHECKED	NAME	DATE
-	SCHEMATIC	11/NOV/2021	-	SCHEMATIC	11/NOV/2021

TITLE		SageReal	
Product Name		SCHEMATIC BOARD se668t_main_v1.0c	
P. N.		FORMAT SIZE	
VER. DATE		DOCUMENT NUMBER	
		PAGE/SHEET 4 / 29	
		TYPE PART VERS.	



# RF PRX

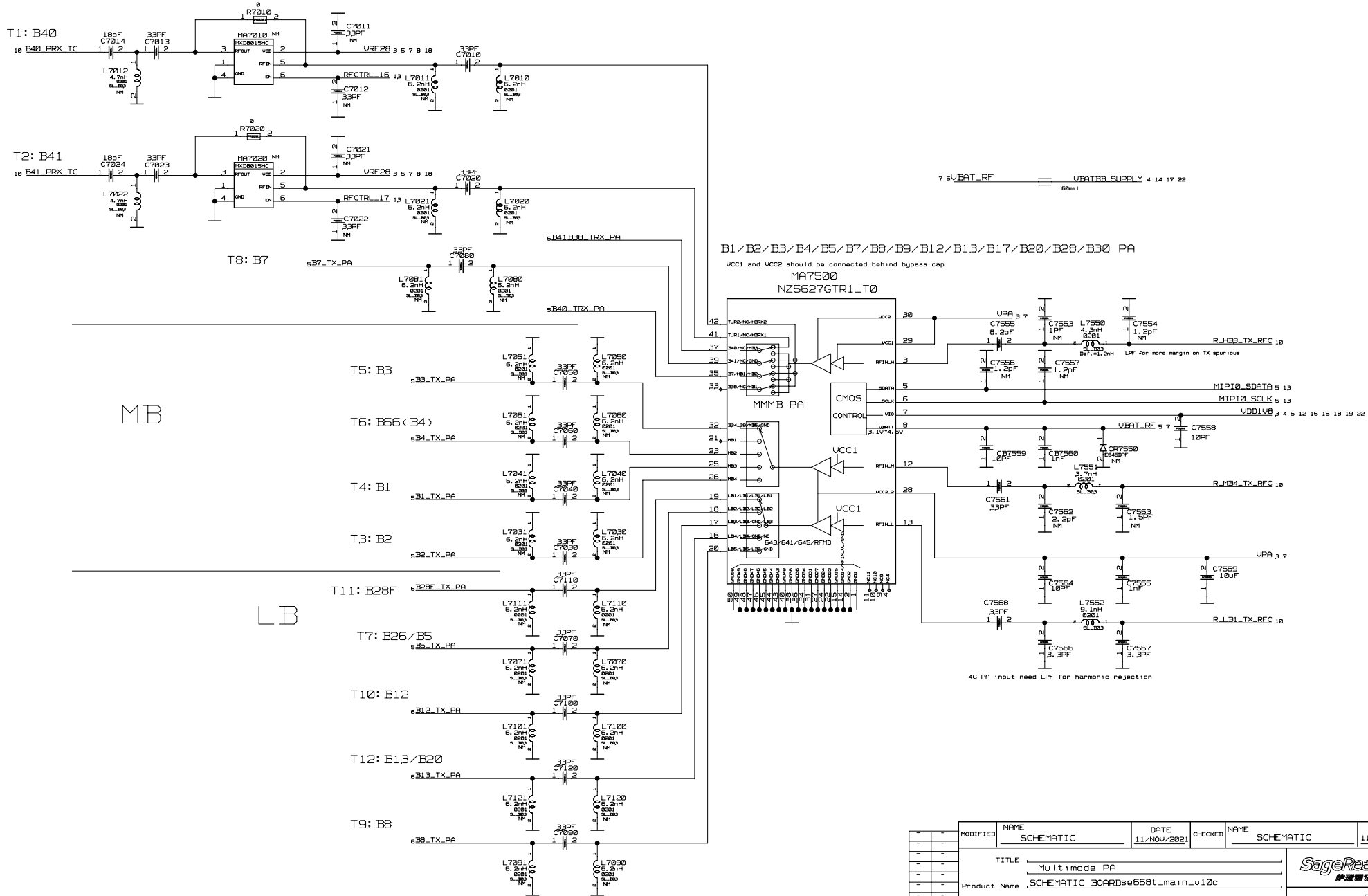


\*B13+FL1621

DRAWING:  
BOARD se668t\_main.v1.0c  
board se668t\_main.v1.0c  
LAST\_MODIFIED=Fri Apr 21 14:43:19 2023

ALL RIGHTS RESERVED. REPRODUCTION AND DISCLOSURE PROHIBITED

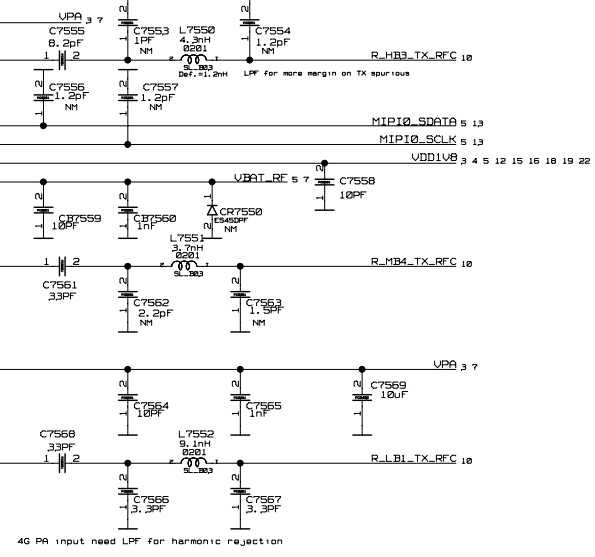
MODIFIED	NAME	DATE	CHECKED	NAME	DATE
	SCHEMATIC	11/NOV/2021		SCHEMATIC	11/NOV/2021
TITLE					SageReal 伊達電機
RF 4G PRX					
Product Name					PAGE/SHEET
SCHEMATIC BOARDse668t_main.v1.0c					
P. N.					FORMAT SIZE
SageReal 伊達電機					
VER.	DATE	DOCUMENT NUMBER		TYPE	PART
					VERS.



B1/B2/B3/B4/B5/B7/B8/B9/B12/B13/B17/B20/B28/B30 PA

VCC1 and VCC2 should be connected behind bypass cap  
MA7500  
NZ5627GTR1-T0

7 VBAT\_RF = VBAT\_BB SUPPLY 4 14 17 22  
68m1



4G PA input need LFF for harmonic rejection

MB

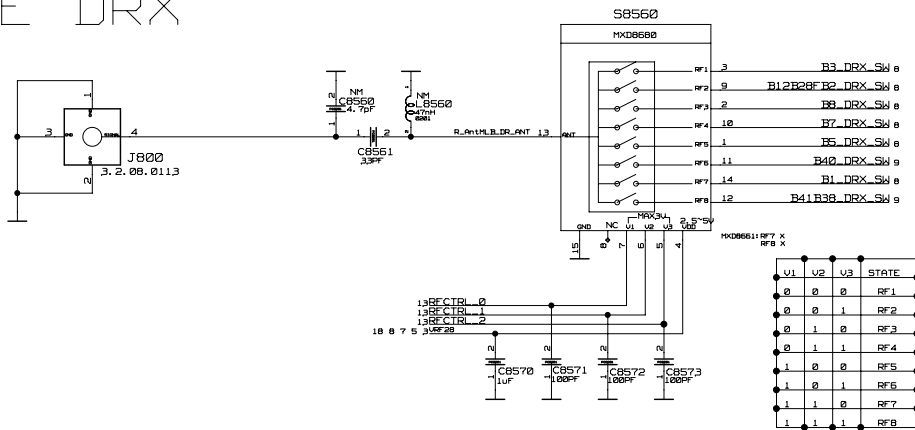
LB

DRAWING:  
BOARD se668t\_main.v1.0c  
board se668t\_main.v1.0c  
LAST\_MODIFIED=Fri Apr 21 14:43:19 2023

ALL RIGHTS RESERVED. REPRODUCTION AND DISCLOSURE PROHIBITED

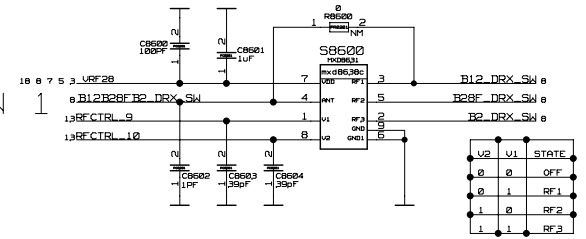
MODIFIED	NAME	DATE	CHECKED	NAME	DATE
-	SCHEMATIC	11/NOV/2021	-	SCHEMATIC	11/NOV/2021
TITLE		Product Name		PAGE/SHEET	
Multimode PA		SCHEMATIC BOARDse668t_main.v1.0c		7 / 29	
P. N.		FORMAT	DOCUMENT NUMBER		
VER. DATE		A2	TYPE PART VERS.		

# LTE DRX

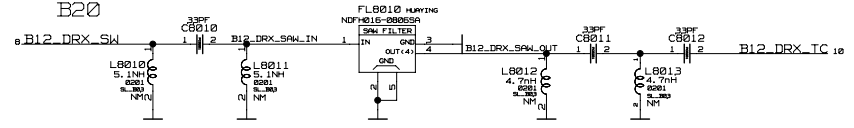


P8

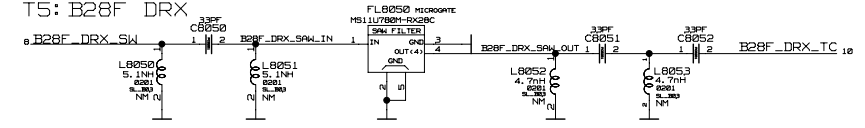
3 IN 1



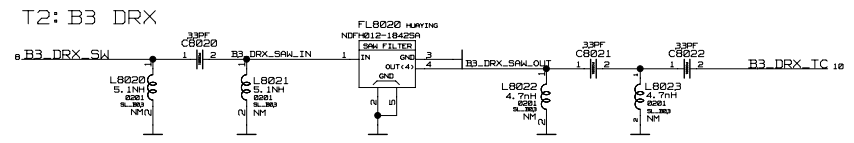
T1: B12(B17)+B13 DRX  
B20



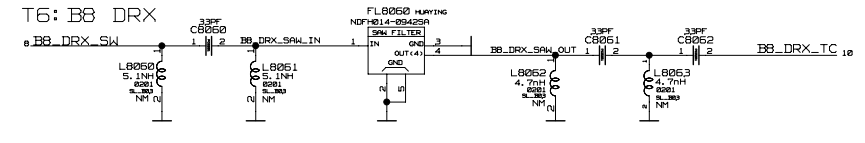
T5: B28F DRX



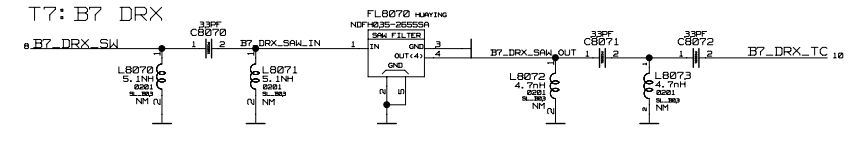
T2: B3 DRX



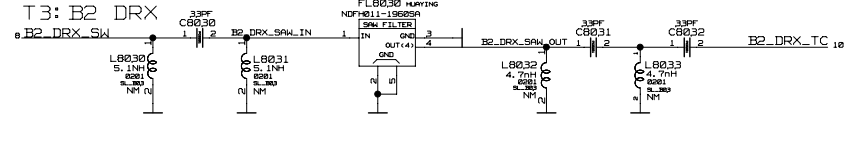
T6: B8 DRX



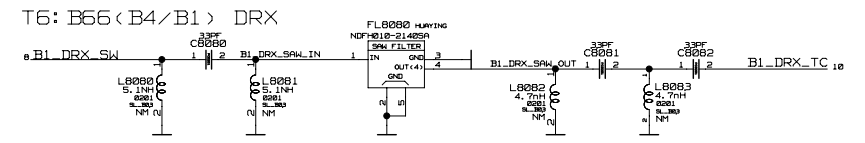
T7: B7 DRX



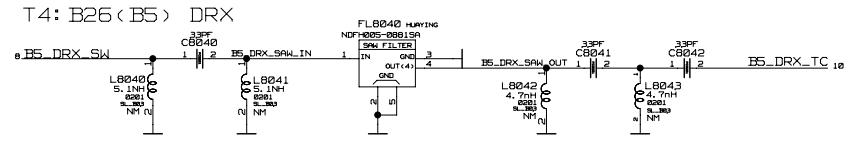
T3: B2 DRX



T6: B66(B4/B1) DRX



T4: B26(B5) DRX



MODIFIED	NAME	DATE	CHECKED	NAME	DATE	
-	SCHEMATIC	11/NOV/2021	-	SCHEMATIC	11/NOV/2021	
TITLE						
RF 4G DRX						
Product Name						
SCHEMATIC BOARDse668t_main.v10c						
P. N.						
SageReal						
FORMAT						
A2						
DOCUMENT NUMBER				TYPE	PART	VER.
PAGE/SHEET				8 / 29		

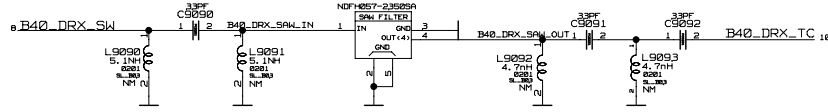
DRAWING:  
BOARD se668t\_main.v1.0c  
board se668t\_main.v1.0c  
LAST\_MODIFIED=Fri Apr 21 14:43:20 2023

ALL RIGHTS RESERVED. REPRODUCTION AND DISCLOSURE PROHIBITED

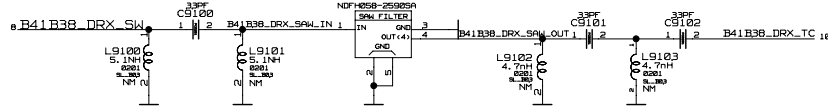


# RF DRX

T9: B40 DRX



T10: B41<B38> DRX



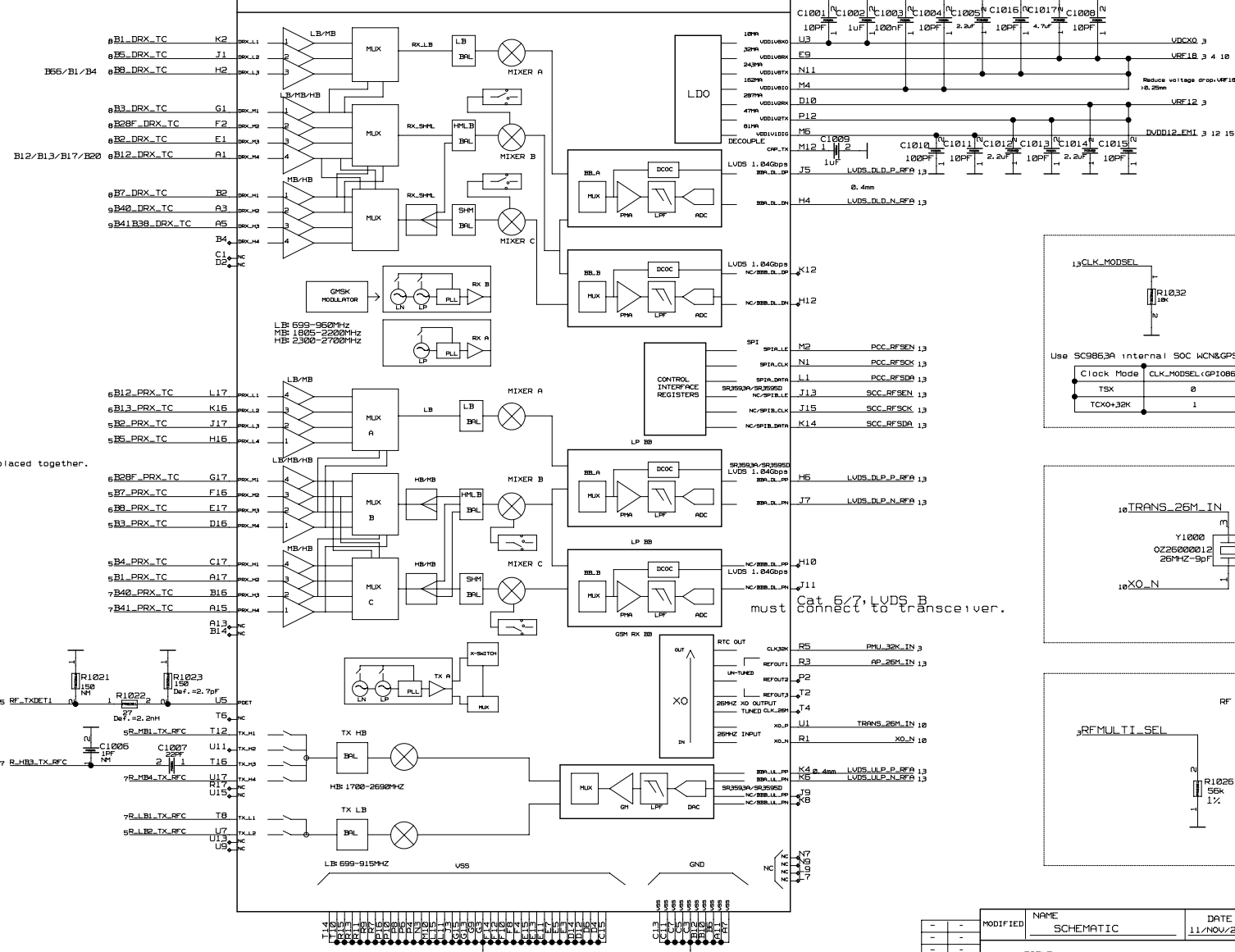
DRAWING:  
 BOARD se668t\_main.v1.0c  
 board se668t\_main.v1.0c  
 LAST\_MODIFIED=Fri Apr 21 14:43:21 2023

ALL RIGHTS RESERVED. REPRODUCTION AND DISCLOSURE PROHIBITED

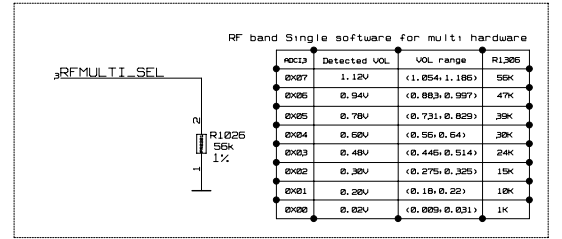
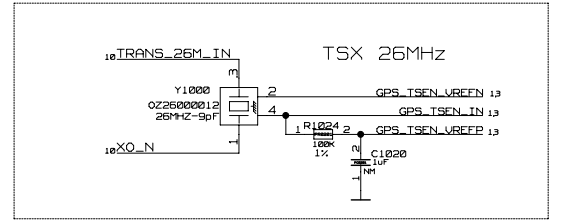
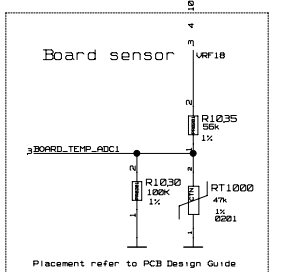
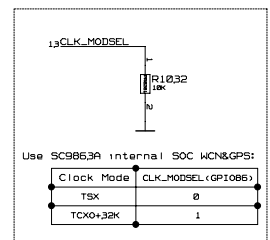
MODIFIED	NAME	DATE	CHECKED	NAME	DATE
	SCHEMATIC	11/NOV/2021		SCHEMATIC	11/NOV/2021
TITLE					SageReal 伊路德
RF 4G DRX					
Product Name					PAGE/SHEET
SCHEMATIC BOARDse668t_main.v1.0c					
P. N.					9 / 29
VER.	DATE	FORMAT		DOCUMENT NUMBER	TYPE
		A2			
				PART	VERS.

MN1001

SR3595D\_T0



Notes:  
 The following bands should not be placed together.  
 B2 and B1/B3  
 B7 and B41  
 B30 and B40  
 B5 and B8  
 B28 and B20/B12/B17/B13/B14  
 B26 and B20



must connect to transceiver.

DRAWING:  
 BOARD se668t\_main.v1.0c  
 board se668t\_main.v1.0c  
 LAST\_MODIFIED=Fri Apr 21 14:48:01 2023

ALL RIGHTS RESERVED. REPRODUCTION AND DISCLOSURE PROHIBITED

MODIFIED	NAME	DATE	CHECKED	NAME	DATE
-	SCHEMATIC	11/NOV/2021	-	SCHEMATIC	11/NOV/2021

TITLE: Transceiver  
 Product Name: SCHEMATIC BOARDse668t\_main.v1.0c

P. N. \_\_\_\_\_

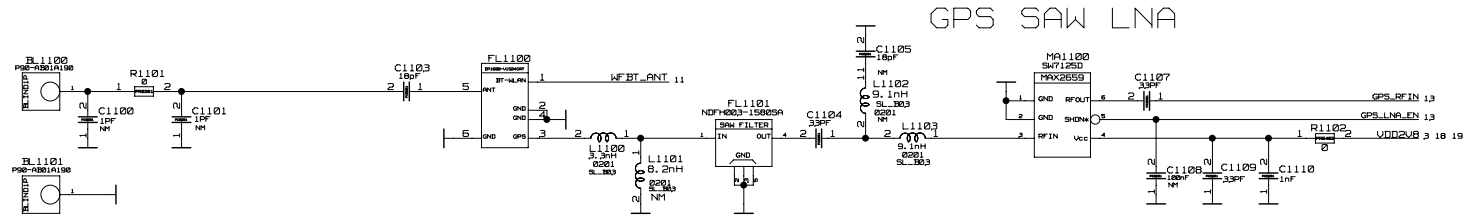
FORMAT: A2

DOCUMENT NUMBER: \_\_\_\_\_ TYPE: \_\_\_\_\_ PART: \_\_\_\_\_ VER. DATE: \_\_\_\_\_

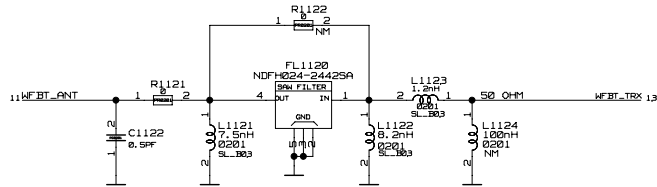
Page/SHEET: 10 / 29

SageReal 赛格瑞尔

## 2.4G WIFI/BT/GPS ANT



## WIFI/BT SAW



MODIFIED	NAME	DATE	CHECKED	NAME	DATE
-	SCHEMATIC	11/NOV/2021		SCHEMATIC	11/NOV/2021
TITLE					
WIFI/BT/GPS/FM					
Product Name					
SCHEMATIC BOARDse668t_main.v1.0c					
P. N.					
SageReal					
FORMAT					
A2					
PAGE/SHEET					
11/29					
DOCUMENT NUMBER					
TYPE					
PART					
VER.					
DATE					

DRAWING:  
BOARD se668t\_main.v1.0c  
board se668t\_main.v1.0c  
LAST\_MODIFIED=Fri Apr 21 14:48:00 2023

ALL RIGHTS RESERVED. REPRODUCTION AND DISCLOSURE PROHIBITED



A

B

C

D

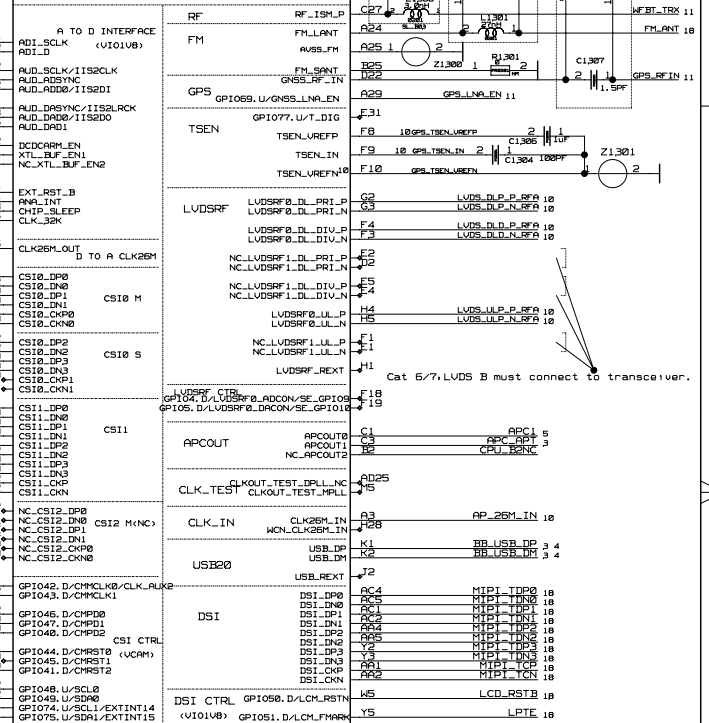
MN1020

(1/5) SC9863A T0

10PCC_RF5CK E17	GP102.D/RF5CK0/DBG_BUS21	RF SPI0	GP10121.D/KEYOUT(3)/EXTINT11	89	ETNT_CTP	18	
10PCC_RF5DA C18	GP101.D/RF5SD0/DBG_BUS20	(VIO1UB)	GP10122.HIZ/KEYOUT(1)/EXTINT12/CH4_GP1010	88	EXT_G	19	
10PCC_RF5EN E18	GP103.U/RF5EN0/DBG_BUS22		GP10123.D/KEYOUT(2)/PWRM30/CH4_GP107	87	EN_LCD_B	18	
10SCC_RF5CK B15	GP1013.D/RF5CK1	RF SPI1	KEYIN(0)	810	KCOL_0	16	
10SCC_RF5DA B16	GP1015.D/RF5DA1	(NC)	(VIO1UB) GP10126.D/KEYIN(2)/EXTINT14	809	KEYIN(1:010) only use for SIM900	14 18	
10SCC_RF5EN B15	GP1014.U/RF5EN1		KEYIN(1)	811	KEYIN(1)	16	
6RFCTRL_0 E11	GP1018.D/RFCTRL(0)	RF CTRL	SPI0	818	SPI0_DO	19	
6RFCTRL_1 B10	GP1028.D/RFCTRL(1)	(VIO1UB)	(VIO1UB) GP1093.D/SPI0_CLK/EXTINT8	817	SPI0_CLK	19	
6RFCTRL_2 F12	GP1021.D/RFCTRL(2)		GP1090.U/SPI0_CSN/EXTINT5	817	SPI0_CS	19	
6RFCTRL_3 D12	GP1022.D/RFCTRL(3)			819	SPI0_CS	19	
6RFCTRL_4 B13	GP1023.D/RFCTRL(4)		GP1053.D/SPI2_DO/CH4_GP108	818	EXTINT(401) OUP_VCHG	4	
6RFCTRL_5 B13	GP1024.D/RFCTRL(5)		GP1054.D/SPI2_DI/CH4_GP101	818	EXTINT(501) FINT_S20	5	
6RFCTRL_6 E14	GP1025.D/RFCTRL(6)		GP1055.D/SPI2_CLK/CH4_GP102	819	EN_HP_303	4	
22EN_NFC C11	GP1027.D/RFCTRL(7)	FOR LTE/WCDMA/TD/GSM	GP1052.U/SPI2_CSN/CH4_GP105	818	FINT_S20	19	
2214HARFUP_REQ C12	GP1028.D/RFCTRL(8)						
6RFCTRL_7 D12	GP1028.D/RFCTRL(9)						
6RFCTRL_8 D12	GP1029.D/RFCTRL(10)						
2214NFC_CLK_REQ B12	GP1030.D/RFCTRL(11)						
7RFCTRL_16 C15	GP107.D/RFCTRL(16)/PWRM1	FOR LTE ONLY	SDIO 0	GP10153.D/SD0_CLK	P2	SD_CLK	16
7RFCTRL_17 D15	GP108.D/RFCTRL(17)/PPS00		(VSD0)	GP10150.D/SD0_CND	P2	SD_CND	16
10VSEN_EN D15	GP109.D/RFCTRL(18)/VSTK0			GP10151.D/SD0_D10	P4	SD_D10	16
	GP1010.D/RFCTRL(19)/VSRX0			GP10152.D/SD0_D11	P5	SD_D11	16
	GP1011.D/RFCTRL(20)/VSRXD			GP10149.D/SD0_D12	P7	SD_D12	16
	GP1011.D/RFCTRL(20)/VSRXD			GP10148.D/SD0_D13	N1	SD_D13	16
16EINT_SIM1 A12	GP1031.D/BUA_SIM1_DET	GPIO	SDIO 1	GP1064.D/SD1_CLK	AC32		16
2214BLA_REQ B15	GP1032.D/PWRM	(VIO1UB)	(NC)	GP1065.U/SD1_CND	AC29		16
16POWER_LDR B15	GP1033.D/PWRM0			GP1066.U/SD1_D10	AC30		16
16EINT_SIM2 B14	GP109.D/BUA_SIM2_DET			GP1067.U/SD1_D11	AC30		16
				GP1068.U/SD1_D12	AC31		16
				GP1068.U/SD1_D13	AC30		16
7SDI0_SCLK F14	GP1036.D/RFPE0_SCK	RFFE	SDIO 2	GP10134.D/SD2_CLK/SPI1_CLK	N2	SPI1_CLK	16
7SDI0_SDATA F13	GP1037.D/RFPE0_SDA	(VIO1UB)	(VSD2)	GP10135.U/SD2_CND/SPI1_DI	N2	SPI1_DI	16
7SDI0_SDR F15	GP1038.D/RFPE1_SCK			GP10136.U/SD2_DO/SPI1_DO	N2	SPI1_DO	16
1214L2CC_SCL E22	GP10127.U/SCL2	IIC		GP10137.U/SD2_DI/SE_GP107	4		16
1214L2CC_SDA C23	GP10128.U/SDA2	(VIO1UB)		GP10138.U/SD2_DO/SE_GP108	4		16
1214L2CC_SDR A22	GP1081.D/SDMG			GP10139.U/SD2_D3/SPI1_CSN	L2	SPI1_CS	16
9L2CC_EN C31	GP10145.U/SCL3/EXT_XLLEN0	CTP/EXTINT	SIM 0	GP10157.D/SIMCLK	D7	SIM1_CLK	16
16EINT_NFC B30	GP10147.U/SDA3	(VIO1UB)	(USIM0)	GP10158.D/SIMRST0	D7	SIM1_TO	16
16CTP_SHDN B31	GP10144.D/EXTINT0/SE_GP1014			GP10159.D/SIMRST0	D6	SIM1_RST	16
	GP10145.D/EXTINT1/SE_GP1015						
ESIM_EN C31	GP10145.U/SCL3/EXT_XLLEN0	CTP/EXTINT	ESIM	GP10160.D/SIMCLK1	B8	SIM2_CLK	16
16EINT_TCARD AB28	GP1078.D/EXTINT10/BUA_TF_DET	EXTINT	(NC)	GP10161.D/SIMRST1	B7	SIM2_TO	16
3BAT_DET AC28	GP1079.D/EXTINT10/BAT_DET	(VIO1UB)		GP10162.D/SIMRST1	C6	SIM2_RST	16
4EINT_SHCHG B21	GP1082.D/TCX_ARM	ARM JTAG	SIM 1	GP10154.D/SIMCLK2/SCL4/SE_GP1011	E8	I2C4_SCL	14 4 5 17 18
	GP1083.U/TMS_ARM	(VIO1UB)	(USIM1)	(USIM0) GP10155.D/SIMRST2/SIM4/SE_GP1012	E9	I2C4_SDA	14 4 17 18
	GP1083.U/TMS_ARM			GP10156.D/SIMRST2/CLK_AUX1/SE_GP1013	C9	RF1C_CLK_NFC	14 22
17EN_PL_S_SUB_CAM D21	GP1089.D/R7CK_LTE	DSP JTAG	UART0	GP1068.U/UART0/EXT_XTL_EN0	A31	UTXD0	14
14EN_PL_H1 C21	GP1087.U/TK_LTE	(VIO1UB)	(VIO1UB)	GP1061.U/UART0/EXT_XTL_EN3	AC32	URXD0	14
10CLK_MODEL B20	GP1085.U/TOI_LTE			GP1062.D/UART0/PWRM08	AC31	EN_SUBICP0	16
17EN_PL_H2 C21	GP1088.U/TMS_LTE			GP1063.D/UART0/SE_GP1063	A31	CH1	17
AD28	GP1094.D/DMIC_CLK0	MEMS	UART1	GP1070.U/UTXD	AA29	UTXD1	14
AD25	GP1095.D/DMIC_DAT0	(NC)	(VIO1UB)	GP1071.U/URXD	AA28	URXD1	14
RF25	GP1096.D/DMIC_CLK1			GP1072.D/URXD/SE_GP104	AA27	EN_DP_005	4
	GP1097.D/DMIC_DAT1			GP1073.D/URXD/SE_GP105	AA27	EN_DP_006	4
17EN_CHG_LED C32	GP1029.D/CLK_AUX0/PROBE_CLK	SYSTEM	UART2		AA27	EN_DP_007	4
		(VIO1UB)	(VIO1UB)				
AE30	GP1056.D/I1S0D1	IIS0	UART4	GP1017.D/UA4TXD	AF32		16
AG25	GP1057.D/I1S0D0	(NC)	(NC)	GP1018.D/UA4RXD	AG32		16
AG25	GP1058.D/I1S0CLK			GP1036.D/UA4CTS	AF30		16
AG25	GP1059.D/I1S0LRCK			GP1036.D/UA4RTS	AF30		16
16EINT_FINGER C22	GP10130.D/I1S1DI/SE_GP100/EXTINT13	IIS1	UART5	GP1038.D/UA5TXD/SCL5	AH31	I2C5_SCL	14 22
16EINT_FINGER D30	GP10131.D/I1S1DO/SE_GP101/CH4_GP103	(VIO1UB)	(NC)	GP1039.D/UA5RXD/SDA5	AG31	I2C5_SDA	14 22
17EN_TOUCH H20	GP1033.D/I1S1CLK/SE_GP106/CH4_CH104						
17EN_FLASH E30							

NOTE: EXTINT0-7<DBNC MODE>; EXTINT8-15<ALL 4 MODE>; SE\_GPIO0-7<ALL 4 MODE>

SC9863A T0 (3/5)



MODIFIED	NAME	DATE	CHECKED	NAME	DATE	
-	SCHEMATIC	11/NOV/2021	-	SCHEMATIC	11/NOV/2021	
TITLE: SC9863A						
Product Name: SCHEMATIC BOARD se568t_main_v10c						
PAGE/SHEET: 133/29						
P.N.:						
VER.	DATE	FORMAT	DOCUMENT NUMBER	TYPE	PART	VER.
-	-	A2	-	-	-	-

DRAWING: BOARD SE568T\_MAIN\_V1.0C board se568t\_main\_v1.0c LAST\_MODIFIED: Fri Apr 21 14:48:00 2023

ALL RIGHTS RESERVED. REPRODUCTION AND DISCLOSURE PROHIBITED

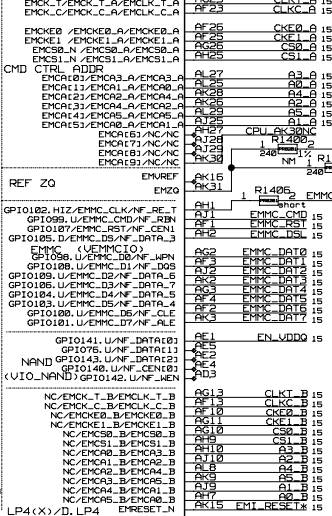
20 20190821 HCS

# Test Point

MN1000

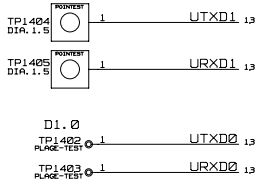
(2/5) SC9863A T0  
LPDDR3/LPDDR4(X)/DISCRETE DDR4

TEST POINT	DIAGNOSTIC	FUNCTION
15D19_A	AL21	DATA LANE 0
15D20_A	AK20	DATA LANE 0
15D21_A	AL19	DATA LANE 0
15D22_A	AK18	DATA LANE 0
15D23_A	AL18	DATA LANE 0
15D24_A	AK17	DATA LANE 0
15D25_A	AL17	DATA LANE 0
15D26_A	AK16	DATA LANE 0
15D27_A	AL16	DATA LANE 0
15D28_A	AK15	DATA LANE 0
15D29_A	AL15	DATA LANE 0
15D30_A	AK14	DATA LANE 0
15D31_A	AL14	DATA LANE 0
15D32_A	AK13	DATA LANE 0
15D33_A	AL13	DATA LANE 0
15D34_A	AK12	DATA LANE 0
15D35_A	AL12	DATA LANE 0
15D36_A	AK11	DATA LANE 0
15D37_A	AL11	DATA LANE 0
15D38_A	AK10	DATA LANE 0
15D39_A	AL10	DATA LANE 0
15D40_A	AK09	DATA LANE 0
15D41_A	AL09	DATA LANE 0
15D42_A	AK08	DATA LANE 0
15D43_A	AL08	DATA LANE 0
15D44_A	AK07	DATA LANE 0
15D45_A	AL07	DATA LANE 0
15D46_A	AK06	DATA LANE 0
15D47_A	AL06	DATA LANE 0
15D48_A	AK05	DATA LANE 0
15D49_A	AL05	DATA LANE 0
15D50_A	AK04	DATA LANE 0
15D51_A	AL04	DATA LANE 0
15D52_A	AK03	DATA LANE 0
15D53_A	AL03	DATA LANE 0
15D54_A	AK02	DATA LANE 0
15D55_A	AL02	DATA LANE 0
15D56_A	AK01	DATA LANE 0
15D57_A	AL01	DATA LANE 0
15D58_A	AK00	DATA LANE 0
15D59_A	AL00	DATA LANE 0
15D60_A	AK00	DATA LANE 0
15D61_A	AL00	DATA LANE 0
15D62_A	AK00	DATA LANE 0
15D63_A	AL00	DATA LANE 0
15D64_A	AK00	DATA LANE 0
15D65_A	AL00	DATA LANE 0
15D66_A	AK00	DATA LANE 0
15D67_A	AL00	DATA LANE 0
15D68_A	AK00	DATA LANE 0
15D69_A	AL00	DATA LANE 0
15D70_A	AK00	DATA LANE 0
15D71_A	AL00	DATA LANE 0
15D72_A	AK00	DATA LANE 0
15D73_A	AL00	DATA LANE 0
15D74_A	AK00	DATA LANE 0
15D75_A	AL00	DATA LANE 0
15D76_A	AK00	DATA LANE 0
15D77_A	AL00	DATA LANE 0
15D78_A	AK00	DATA LANE 0
15D79_A	AL00	DATA LANE 0
15D80_A	AK00	DATA LANE 0
15D81_A	AL00	DATA LANE 0
15D82_A	AK00	DATA LANE 0
15D83_A	AL00	DATA LANE 0
15D84_A	AK00	DATA LANE 0
15D85_A	AL00	DATA LANE 0
15D86_A	AK00	DATA LANE 0
15D87_A	AL00	DATA LANE 0
15D88_A	AK00	DATA LANE 0
15D89_A	AL00	DATA LANE 0
15D90_A	AK00	DATA LANE 0
15D91_A	AL00	DATA LANE 0
15D92_A	AK00	DATA LANE 0
15D93_A	AL00	DATA LANE 0
15D94_A	AK00	DATA LANE 0
15D95_A	AL00	DATA LANE 0
15D96_A	AK00	DATA LANE 0
15D97_A	AL00	DATA LANE 0
15D98_A	AK00	DATA LANE 0
15D99_A	AL00	DATA LANE 0
15D100_A	AK00	DATA LANE 0

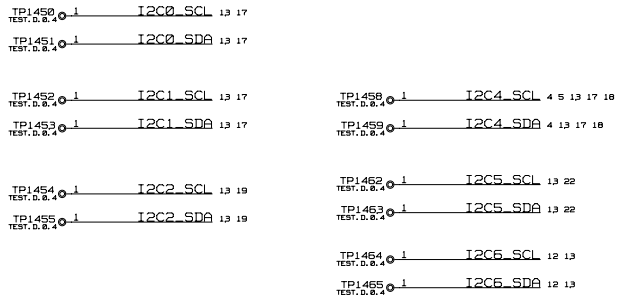


GPIO141 is dedicated for LDO3BUCK'EN of memory VDDQ. Do not use as other application.

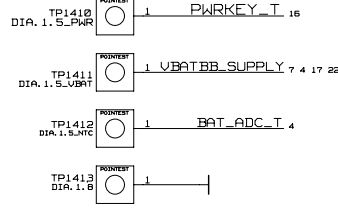
## TX/RX



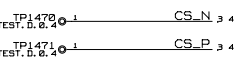
## I2C



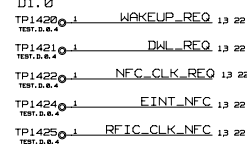
## PWR/VBAT/NTC/GND



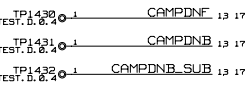
Battery  
Placed outside the shield frame



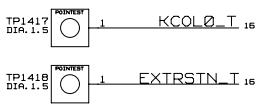
## NFC



## CAM



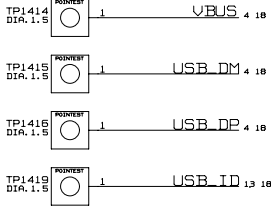
## SideKey



## ARM JTAG



## VBUS/DP/DM/OTG



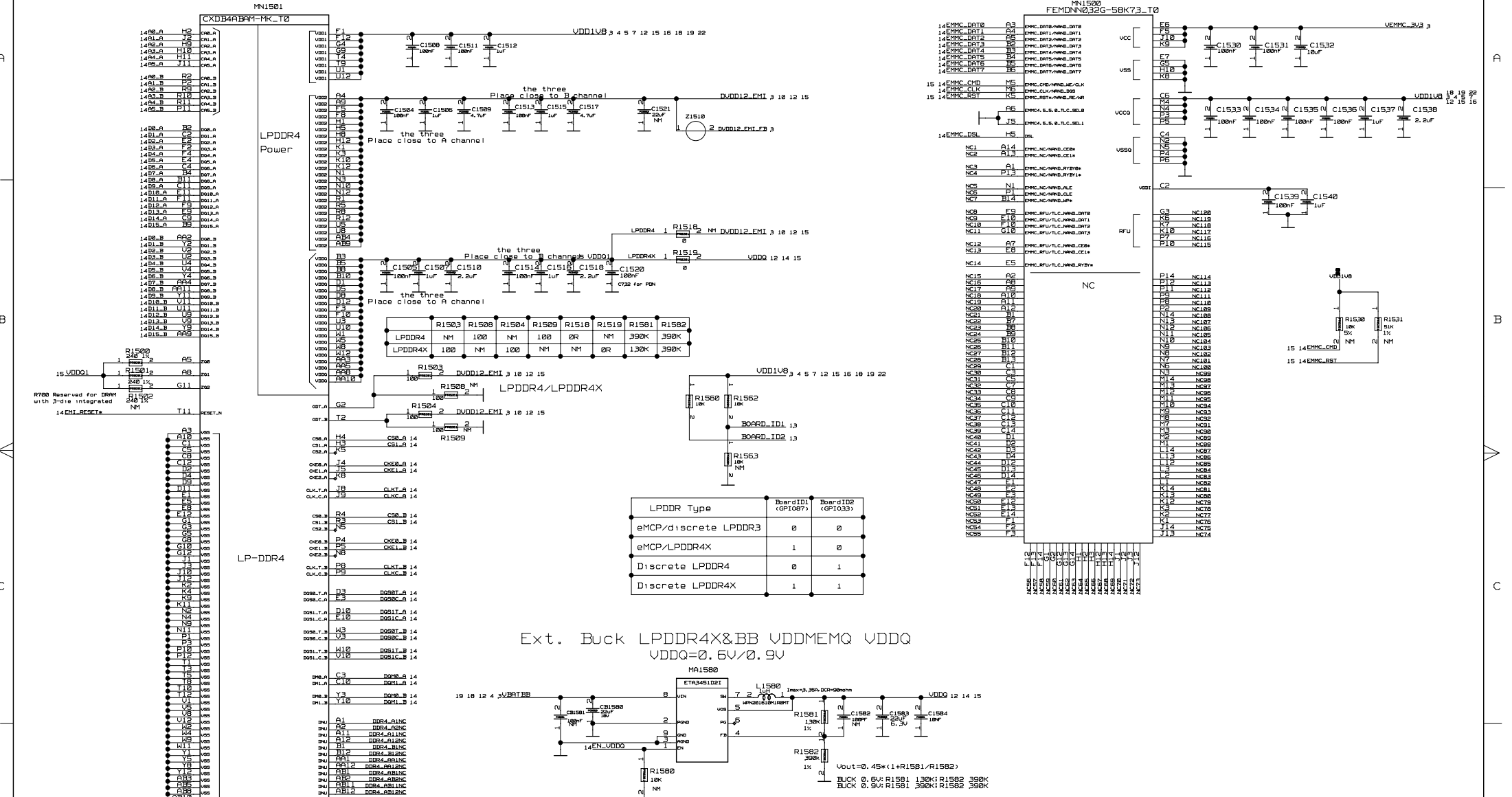
DRAWING:  
BOARD se668t\_main.v1.0c  
board se668t\_main.v1.0c  
LAST\_MODIFIED=Fri Apr 21 14:48:01 2023

ALL RIGHTS RESERVED. REPRODUCTION AND DISCLOSURE PROHIBITED

MODIFIED	NAME	DATE	CHECKED	NAME	DATE
-	SCHEMATIC	11/NOV/2021	-	SCHEMATIC	11/NOV/2021
TITLE		SC9863A			
Product Name		SCHEMATIC BOARD se668t_main.v1.0c			
P. N.		A2		PAGE/SHEET 14/29	
VER.	DATE	DOCUMENT NUMBER	TYPE	PART	VERS.

# LPDDR4/LPDDR4X

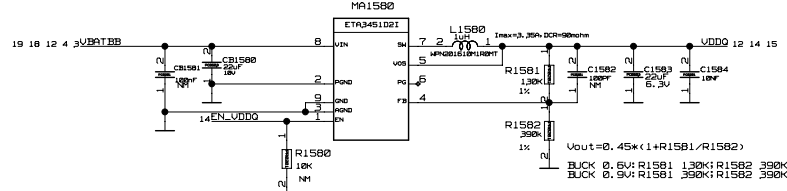
# EMMC



R700 Reserved for DDR4 with 3-die integrated

LPDDR Type	BoardID1 (GP10B7)	BoardID2 (GP10A3)
eMCP/discrete LPDDR3	0	0
eMCP/LPDDR4X	1	0
Discrete LPDDR4	0	1
Discrete LPDDR4X	1	1

Ext. Buck LPDDR4X&BB VDDMEMQ VDDQ  
VDDQ=0.6V/0.9V



	BB VDDMEM	MEMORY VDDQ
LPDDR4	BUCK MA1580 0.9V	PMIC D12.EMI
LPDDR4X	BUCK MA1580 0.6V	BUCK 0.6V

MODIFIED	NAME	DATE	CHECKED	NAME	DATE
-	SCHEMATIC	11/NOV/2021	-	SCHEMATIC	11/NOV/2021

TITLE: MEMORY

Product Name: SCHEMATIC BOARDse668t\_main.v10c

P. N. \_\_\_\_\_

FORMAT: A2

PAGE/SHEET: 15/29

DOCUMENT NUMBER: \_\_\_\_\_

TYPE: \_\_\_\_\_

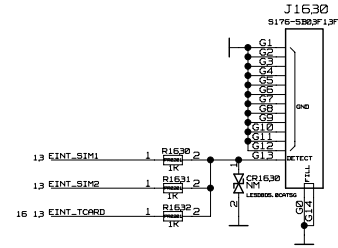
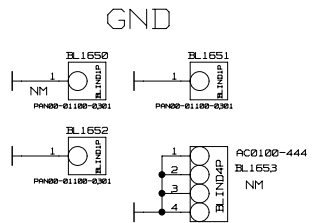
PART: \_\_\_\_\_

VER. DATE: \_\_\_\_\_

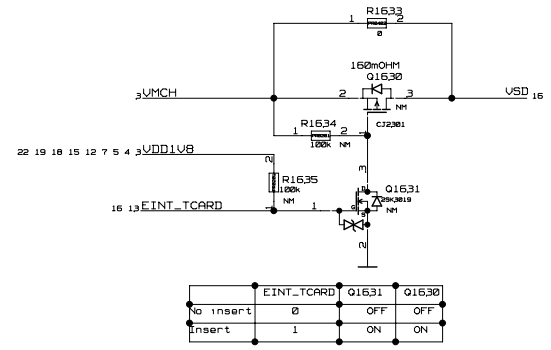
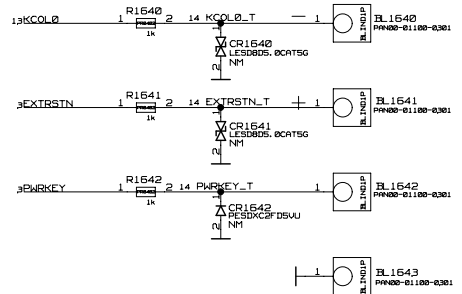
DRAWING: BOARD se668t\_main.v1.0c  
board se668t\_main.v1.0c  
LAST\_MODIFIED=Fri Apr 21 14:49:21 2023

ALL RIGHTS RESERVED. REPRODUCTION AND DISCLOSURE PROHIBITED

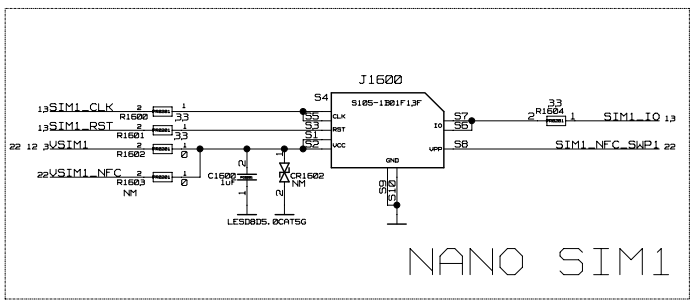




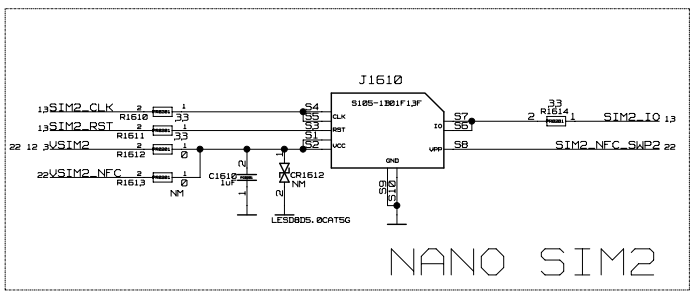
### Sidekey



	EINT_TCARD	Q1631	Q1630
No insert	0	OFF	OFF
Insert	1	ON	ON

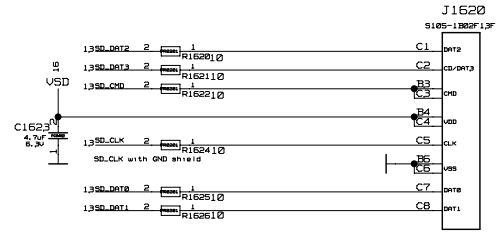


### NANO SIM1



### NANO SIM2

### T-FLASH SD3.0 (SDR50/DDR50) 400mA



DRAWING:  
BOARD se668t\_main.v1.0c  
board se668t\_main.v1.0c  
LAST\_MODIFIED=Fri Apr 21 14:49:20 2023

ALL RIGHTS RESERVED. REPRODUCTION AND DISCLOSURE PROHIBITED

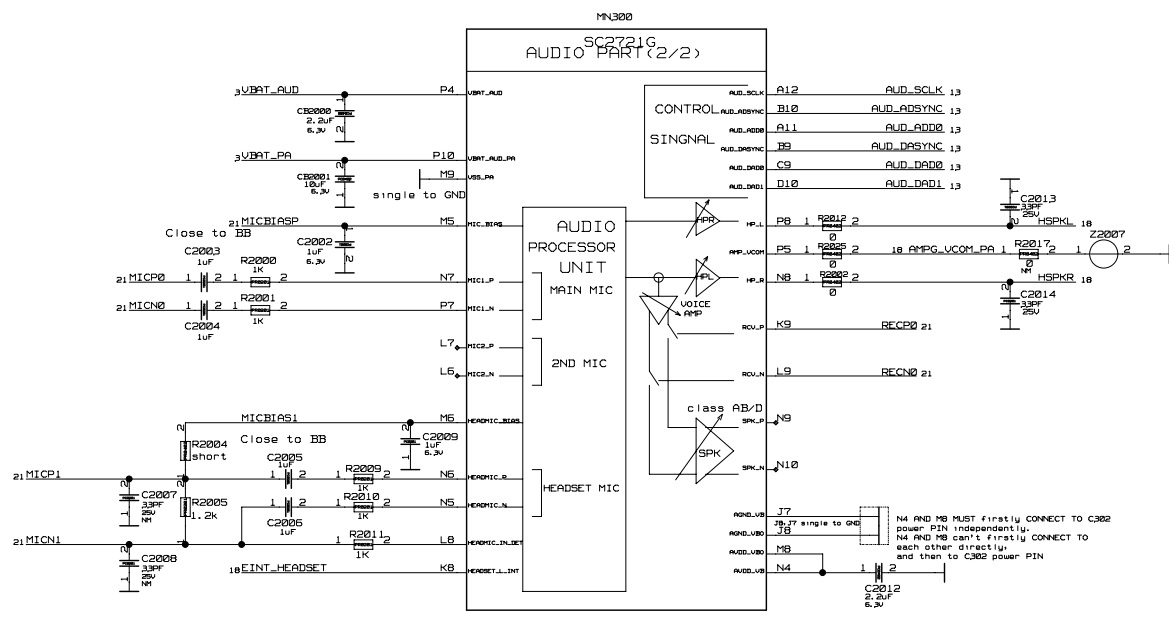
MODIFIED	NAME	DATE	CHECKED	NAME	DATE
-	SCHEMATIC	11/NOV/2021		SCHEMATIC	11/NOV/2021
TITLE					SageReal SAGE REAL
SIDEKEY+SIM+TCard					
Product Name					PAGE/SHEET
SCHEMATIC BOARD se668t_main_v1.0c					
P. N.					FORMAT
SageReal SAGE REAL					
VER.	DATE	SIZE	DOCUMENT NUMBER	TYPE	PART
-	-	A2			
					VER.
					20 0110001 HCS









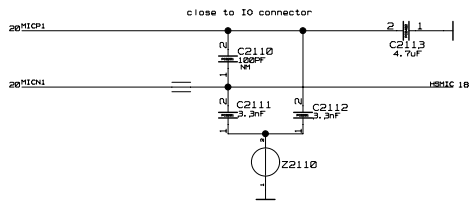


DRAWING:  
 BOARD se668t\_main.v1.0c  
 board se668t\_main.v1.0c  
 LAST\_MODIFIED=Fri Apr 21 14:51:54 2023

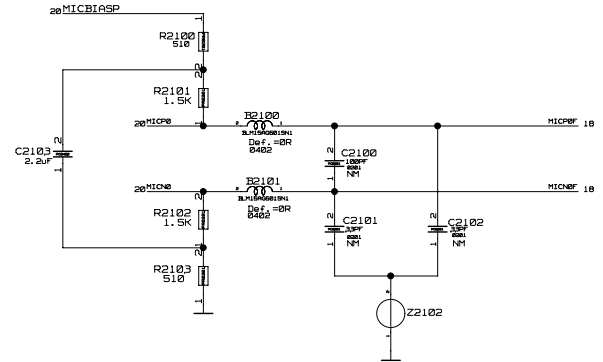
ALL RIGHTS RESERVED. REPRODUCTION AND DISCLOSURE PROHIBITED

MODIFIED	NAME	DATE	CHECKED	NAME	DATE
	SCHEMATIC	11/NOV/2021		SCHEMATIC	11/NOV/2021
TITLE		Aud10			
Product Name		SCHEMATIC BOARDse668t_main.v1.0c			
P. N.		FORMAT	PAGE/SHEET		
		A2	20 / 29		
VER.	DATE	DOCUMENT NUMBER	TYPE	PART	VERS.

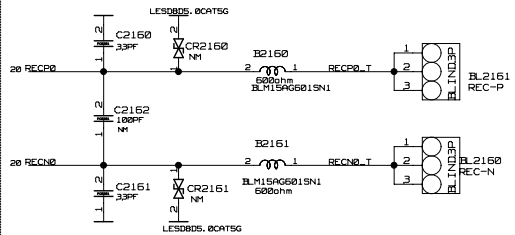
### HEADSET MIC



### MAIN MICROPHONE CIRCUIT



### RECEIVER

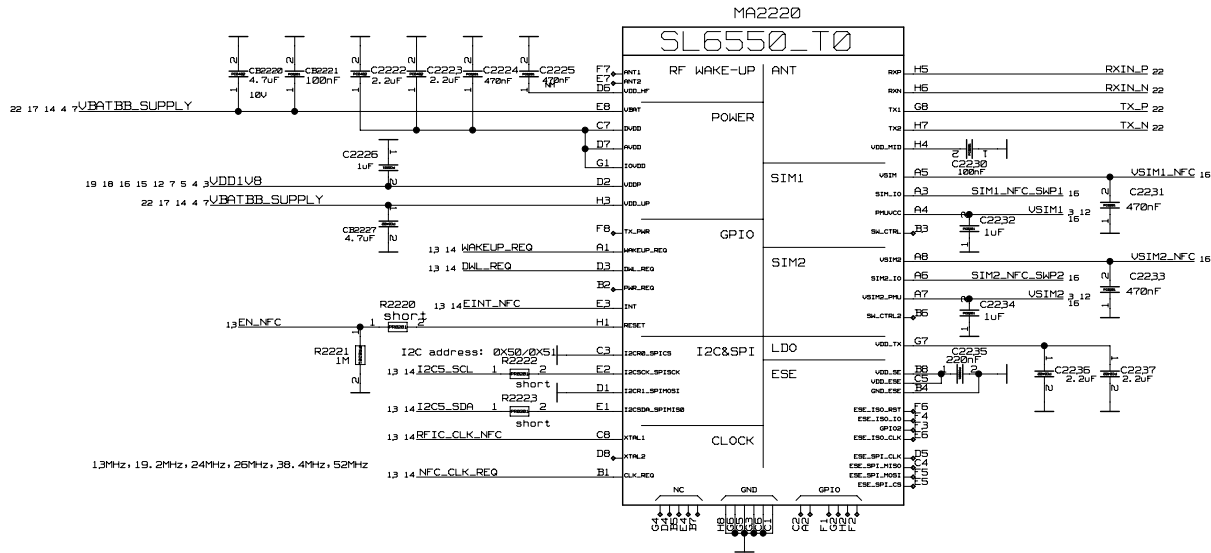
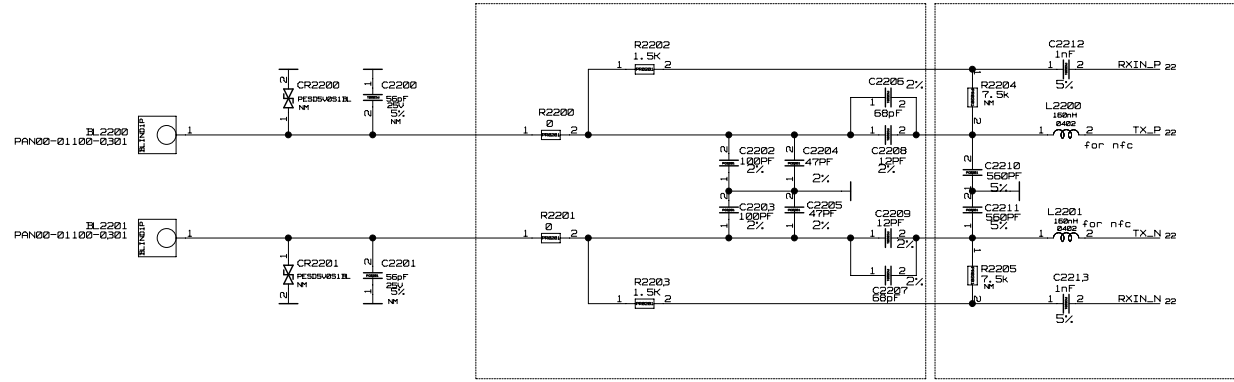


DRAWING:  
 BOARD SE668T\_MAIN.V1.0C  
 board se668t\_main.v1.0c  
 LAST\_MODIFIED=Fri Apr 21 14:51:55 2023

ALL RIGHTS RESERVED.REPRODUCTION AND DISCLOSURE PROHIBITED

MODIFIED	NAME	DATE	CHECKED	NAME	DATE
-	SCHEMATIC	11/NOV/2021	-	SCHEMATIC	11/NOV/2021
TITLE		AUDIO&CONNECTER			
Product Name		SCHEMATIC BOARD se668t_main_v10c			
P. N.				FORMAT	21/29
				A2	
VER.	DATE	DOCUMENT NUMBER	TYPE	PART	VER.

# P22



DRAWING:  
 BOARD SE668T\_MAIN.V1.0C  
 board se668t\_main.v1.0c  
 LAST\_MODIFIED=Fri Apr 21 14:51:56 2023

ALL RIGHTS RESERVED. REPRODUCTION AND DISCLOSURE PROHIBITED

MODIFIED	NAME	DATE	CHECKED	NAME	DATE
-	SCHEMATIC	11/NOV/2021	-	SCHEMATIC	11/NOV/2021
TITLE					
NFC					
Product Name					
SCHEMATIC BOARD m6688t_main.v1.0c					
PAGE/SHEET					
22 / 29					
P. N.					
SageReal					
FORMAT	SIZE				
A2	DOCUMENT NUMBER				
VER.	DATE	TYPE	PART	VERS.	

Title: Basenet Report  
 Design: se668s\_main\_v10b  
 Date: Nov 19 9:42:10 2022


Base nets and synonyms for  
 se668s\_11b.SE668S\_MAIN\_V10B(ese668s\_11b.se668s\_main\_v10b  
 (sch\_1))

Base Signal	Location (Zone) (dir)
A0_A	14A3 15A4
A0_B	14B3 15A4
A1_A	14A3 15A4
A1_B	14B3 15A4
A2_A	14A3 15A4
A2_B	14B3 15A4
A3_A	14A3 15A4
A3_B	14B3 15A4
A4_A	14A3 15A4
A4_B	14B3 15A4
A5_A	14A3 15A4
A5_B	14B3 15A4
ADI_D	3B3 13A2
ADI_SCLK	3B3 13A2
AMPG_VCOM_PA	18B3 20B2
ANA_INT	3B3 13B2
APC1	5B1 13B1
APC_APT	3B2 13B1
AP_26M_IN	10C2 13C1
AUD_ADD0	13A2 20B2
AUD_ADSYNC	13A2 20B2
AUD_DAD0	13B2 20B2
AUD_DAD1	13B2 20B2
AUD_DASYNC	13A2 20B2
AUD_SCLK	13A2 20B2
AVDD18	3C1 12B1 12B1 12B1 12B1 12B1
B1_DRX_SAW_IN	8C2
B1_DRX_SAW_OUT	8C1
B1_DRX_SW	8A3 8C2
B1_DRX_TC	8C1 10A4
B1_PRX_TC	5D3 10C4
B1_TRX_TXM	5B3 5D4
B1_TX_PA	5D3 7C3
B2_DRX_SAW_IN	8C4
B2_DRX_SAW_OUT	8C3
B2_DRX_SW	8A1 8C4
B2_DRX_TC	8C3 10A4
B2_PRX_TC	5D3 10B4
B2_TRX_TXM	5B3 5D4
B2_TX_PA	5D3 7C3
B3_DRX_SAW_IN	8C3
B3_DRX_SAW_OUT	8C3
B3_DRX_SW	8A3 8C4
B3_DRX_TC	8C3 10A4
B3_PRX_TC	5B1 10C4
B3_TRX_TXM	5B2 5B3
B3_TX_PA	5B1 7B3
B4_PRX_TC	5C1 10C4
B4_TRX_TXM	5B3 5C2
B4_TX_PA	5C1 7B3
B5_DRX_SAW_IN	8D4
B5_DRX_SAW_OUT	8D3
B5_DRX_SW	8A3 8D4
B5_DRX_TC	8D3 10A4
B5_PRX_TC	5C1 10B4
B5_TRX_TXM	5B3 5C2
B5_TX_PA	5C1 7C3
B7_DRX_SAW_IN	8C2
B7_DRX_SAW_OUT	8C1
B7_DRX_SW	8A3 8C2
B7_DRX_TC	8C1 10B4
B7_PRX_TC	5D1 10C4
B7_TRX_TXM	5B3 5D2
B7_TX_PA	5D1 7B3
B8_DRX_SAW_IN	8B2
B8_DRX_SAW_OUT	8B1
B8_DRX_SW	8A3 8B2
B8_DRX_TC	8B1 10A4
B8_PRX_TC	6A2 10C4
B8_TRX_TXM	5B3 6A4
B8_TX_PA	6A3 7D3
B12B0BFB0_DRX_SW	8A2 8A3
B12_DRX_SAW_IN	8B4
B12_DRX_SAW_OUT	8B3
B12_DRX_SW	8A1 8B4
B12_DRX_TC	8B3 10A4

B12_PRX_TC	6B2 10B4
B12_TRX_TXM	5B3 6B4
B12_TX_PA	6B3 7C3
B13_PRX_TC	6C2 10B4
B13_TRX_TXM	5B3 6C4
B13_TX_PA	6C2 7D3
B20F_DRX_SAW_IN	8B2
B20F_DRX_SAW_OUT	8B1
B20F_DRX_SW	8A1 8B2
B20F_DRX_TC	8B1 10A4
B20F_PRX_TC	6B2 10B4
B20F_TRX_TXM	5B3 6B4
B20F_TX_PA	6B3 7C3
B40_DRX_SAW_IN	9A3
B40_DRX_SAW_OUT	9A3
B40_DRX_SW	8A3 9A4
B40_DRX_TC	9A2 10B4
B40_PRX_TC	7A4 10C4
B40_TRX_TXM	5C3 7B3
B40_TX_PA	5B3 5C4
B41B3B_DRX_SAW_IN	9B3
B41B3B_DRX_SAW_OUT	9B3
B41B3B_DRX_SW	8A3 9B4
B41B3B_DRX_TC	9B2 10B4
B41B3B_TRX_TXM	5C3 7B3
B41B3B_TX_PA	5B3 5C4
B41_PRX_TC	7A4 10C4
BATSNS	3C3 4A1 4C3
BAT_ADC_T	4B4 14B2
BAT_DET	3B3 13C4
BAT_ID	4C4 13C3
BAT_TEMP_ADC	3C3 4B4
BB_USB_DM	3D3 4B4 13C1
BB_USB_DP	3C3 4B4 13C1
BOARD_ID1	13C4 15B2
BOARD_ID2	13B4 15B2
BOARD_TEMP_ADC1	3B3 10B1
CAMPCLK0	13C2 17D3
CAMPCLK1	13C2 17B4 17D3
CAMPDNB	14C1 13C2 17C3
CAMPDNB_SUSB	14C1 13C2 17D2
CAMPDNF	14C1 13C2 17A4
CAMPSTB	13C2 17D3
CAMPSTF	13C2 17B4
CAP_IDB	13C3 17C3
CAP_IDF	13C4 17B4
CHG_LED	17B1 17B1
CHG_TEMP_ADC4	3B3 4C2
CHIP_SLEEP	3B3 13B2
CKE0_A	14A3 15C3
CKE0_B	14B3 15C3
CKE1_A	14A3 15C3
CKE1_B	14B3 15C3
CLKC_A	14A3 15C3
CLKC_B	14B3 15C3
CLKT_A	14A3 15C3
CLKT_B	14B3 15C3
CLK_F32K	3B3 13B2
CLK_MODESEL	10B2 13C4
CPU_A1INC	12C2
CPU_A2NC	12C2
CPU_A31INC	12C2
CPU_A32NC	12C2
CPU_AK1INC	12C2
CPU_AK30NC	14A3
CPU_AK32NC	12C2
CPU_AL1INC	12C2
CPU_AL2INC	12C2
CPU_AL3INC	12C2
CPU_AL32NC	12C2
CPU_B1NC	12C2
CPU_B2NC	13B1
CPU_B32NC	12C2
CPU_C31NC	13B4
CS0_A	14A3 15B3
CS0_B	14B3 15C3
CS1_A	14A3 15B3
CS1_B	14B3 15C3
CS_N	14B1 3C3 4D4
CS_P	14B1 3C3 4C4
CTP_SHDN	13B4 18B2
D0_A	14B4 15A4
D0_B	14B4 15B4
D1_A	14B4 15A4
D1_B	14B4 15B4

D2_A	14B4 15A4
D2_B	14B4 15B4
D3_A	14B4 15A4
D3_B	14B4 15B4
D4_A	14B4 15A4
D4_B	14B4 15B4
D5_A	14B4 15A4
D5_B	14B4 15B4
D6_A	14B4 15A4
D6_B	14B4 15B4
D7_A	14B4 15A4
D7_B	14B4 15B4
D8_A	14A4 15A4
D8_B	14B4 15B4
D9_A	14A4 15A4
D9_B	14B4 15B4
D10_A	14A4 15B4
D10_B	14B4 15B4
D11_A	14A4 15B4
D11_B	14B4 15B4
D12_A	14A4 15B4
D12_B	14B4 15B4
D13_A	14A4 15B4
D13_B	14B4 15B4
D14_A	14A4 15B4
D14_B	14B4 15B4
D15_A	14A4 15B4
D15_B	14B4 15B4
DDR4_A1NC	15D3
DDR4_A2NC	15D3
DDR4_A11NC	15D3
DDR4_A12NC	15D3
DDR4_AA1NC	15D3
DDR4_AA12NC	15D3
DDR4_AB1NC	15D3
DDR4_AB12NC	15D3
DDR4_B1NC	15D3
DDR4_B12NC	15D3
DOM0_A	14B4 15C3
DOM0_B	14B4 15C3
DOM1_A	14A4 15C3
DOM1_B	14B4 15C3
DOS0C_A	14B4 15C3
DOS0C_B	14B4 15C3
DOS0T_A	14B4 15C3
DOS0T_B	14B4 15C3
DOS1C_A	14A4 15C3
DOS1C_B	14B4 15C3
DOS1T_A	14A4 15C3
DOS1T_B	14B4 15C3
DVDD12_EMI	3C1 10A1 12C3 15A2 15B2 15B3 15B3
DVDD12_EMI_LFB	3C1 15A2
DML_REO	14C1 13B4 22C3
EINT_CTP	13A3 18B2
EINT_FINGER	13C4 19C2 19C3
EINT_G	13A3 19A1 19B1
EINT_HEADSET	10B3 20C3
EINT_NFC	14C1 13B4 22C3
EINT_PS	13B3 19A4
EINT_SAR	5A3 13B3
EINT_SIM1	13B4 16B3
EINT_SIM2	13B4 16B3
EINT_SWCHG	4A4 4B1 13C4
EINT_TCARD	13C4 16B3 16C3
EMI_RESET*	14B3 15B4
EMMC_CLK	14B3 15A2
EMMC_CMD	14B3 15A2 15B1
EMMC_DAT0	14B3 15A2
EMMC_DAT1	14B3 15A2
EMMC_DAT2	14B3 15A2

ALL RIGHTS RESERVED. REPRODUCTION AND DISCLOSURE PROHIBITED

MODIFIED	NAME SCHEMATIC	DATE 11/NOV/2021	CHECKED	NAME SCHEMATIC	DATE 11/NOV/2021
TITLE					
Product Name		SCHEMATIC BOARD se668t_main_v10c			
P. N.		FORMAT SIZE A2		PAGE/SHEET 23 / 29	
VER.	DATE	DOCUMENT NUMBER		TYPE	PART
					VERS.

A

B

C

D

A

B

C


D

EMMC\_DAT3 14B3 15A2  
 EMMC\_DAT4 14B3 15A2  
 EMMC\_DAT5 14B3 15A2  
 EMMC\_DAT6 14B3 15A2  
 EMMC\_DAT7 14B3 15A2  
 EMMC\_DSL 14B3 15A2  
 EMMC\_RST 14B3 15A2 15B1  
 EN\_ALS\_SUB\_CAM 13C4 17D3  
 EN\_AUDIOPA 13C3 18B3  
 EN\_CHG\_LED 13C4 17B1  
 EN\_CHG\_PMU 3C3 4A4 4B2  
 EN\_DM\_0V6 4C1 13C3  
 EN\_DP\_0V6 4C2 13C3  
 EN\_DP\_3V3 4C1 13B3  
 EN\_FLASH 13C4 17B2  
 EN\_LCD\_BL 13A3 18C4  
 EN\_LNFC 13B4 22C3  
 EN\_STROBE 13C4 18C4  
 EN\_TORCH 13C4 17B3  
 EN\_UARM 3B3 12D3 13B2  
 EN\_VDD0 14B3 15D3  
 EXTRSTN 3B3 16C4  
 EXTRSTN\_T 14D2 16C4  
 EXT\_RST\_B 3B3 13B2  
 FMLANT 13A1 18B2  
 GND\_UARM1\_FB 3A2 12A1  
 GND\_VCORE\_FB 3A2 12A3  
 GPS\_LNA\_EN 11A1 13A1  
 GPS\_RF\_IN 11A1 13A1  
 GPS\_TSEN\_IN 10C1 13B1  
 GPS\_TSEN\_VREFN 10C1 13B1  
 GPS\_TSEN\_VREFP 10C1 13B1  
 HSMIC 18B3 21A3  
 20C4 21A4  
 HSPKL 18B3 20B2  
 HSPKR 18B3 20B2  
 I2C0\_SCL 14A1 13C2 17D3  
 I2C0\_SDA 14A1 13C2 17D3  
 I2C1\_SCL 14A1 13C2 17B4 17D2  
 I2C1\_SDA 14B1 13C2 17B4 17D2  
 I2C2\_SCL 14B1 13B4 19A1 19A4 19B1 19B2  
 I2C2\_SDA 14B1 13B4 19A1 19A4 19B1 19B2  
 I2C4\_SCL 14A1 4A2 4A4 5A3 13C3 17B2  
 18C2  
 I2C4\_SDA 14B1 4A2 4A4 13C3 17B2 18C2  
 I2C4\_SDA\_1 4A4 5A3  
 I2C5\_SCL 14B1 13C3 22C3  
 I2C5\_SDA 14B1 13C3 22C3  
 I2C6\_SCL 14B1 12D3 13B4  
 I2C6\_SDA 14B1 12D3 13B4  
 ISENSE 4A1 4C3  
 KCOL0 13A3 16B4  
 KCOL0\_T 14D2 16B4  
 LCD\_CABC 18B1 18D4  
 LCD\_ID 3B3 18A2  
 LCD\_RSTB 13C1 18B2  
 LEDN 18B3 18C2  
 LEDP 18A2 18C2  
 LPTE 13C1 18B2  
 LVDS\_DLD\_N\_RFA 10B2 13B1  
 LVDS\_DLD\_P\_RFA 10A2 13B1  
 LVDS\_DLP\_N\_RFA 10C2 13B1  
 LVDS\_DLP\_P\_RFA 10B2 13B1  
 LVDS\_ULP\_N\_RFA 10C2 13B1  
 LVDS\_ULP\_P\_RFA 10C2 13B1  
 MAIN\_ANT 5A4 5A4  
 MICBIAS1 20B3  
 MICBIASP 20B3 21A2  
 MION0 20B4 21A2  
 MION0F 18B2 21A1  
 MIPC0 20B4 21A2  
 MIPC0F 18B2 21A1  
 MIPC1 20C4 21A4  
 MIPI0\_SCLK 5B1 7B1 13B4  
 MIPI0\_SDATA 5B1 7B1 13B4  
 MIPI0\_RCIN 13B2 17D4  
 MIPI0\_RCIN\_S 13B2 17B3  
 MIPI0\_RCP 13B2 17D4  
 MIPI0\_RCP\_S 13B2 17B3  
 MIPI0\_RDN0 13B2 17D4  
 MIPI0\_RDN0\_S 13B2 17B3  
 MIPI0\_RDN1 13B2 17C4  
 MIPI0\_RDN1\_S 13B2 17B3  
 MIPI0\_RDN2 13B2 17C4  
 MIPI0\_RDN2\_S 13B2 17A3

MIPI0\_RDN3 13B2 17C4  
 MIPI0\_RDN3\_S 13B2 17A3  
 MIPI0\_RDP0 13B2 17D4  
 MIPI0\_RDP0\_S 13B2 17B3  
 MIPI0\_RDP1 13B2 17C4  
 MIPI0\_RDP1\_S 13B2 17B3  
 MIPI0\_RDP2 13B2 17C4  
 MIPI0\_RDP2\_S 13B2 17A3  
 MIPI0\_RDP3 13B2 17C4  
 MIPI0\_RDP3\_S 13B2 17A3  
 MIPI0\_TCN 13C1 18B4  
 MIPI0\_TCP 13C1 18B4  
 MIPI0\_TDN0 13C1 18A4  
 MIPI0\_TDN1 13C1 18B4  
 MIPI0\_TDN2 13C1 18B4  
 MIPI0\_TDN3 13C1 18A4  
 MIPI0\_TDP0 13C1 18A4  
 MIPI0\_TDP1 13C1 18B4  
 MIPI0\_TDP2 13C1 18B4  
 MIPI0\_TDP3 13C1 18A4  
 NC1 15A2  
 NC2 15A2  
 NC3 15A2  
 NC4 15A2  
 NC5 15A2  
 NC6 15B2  
 NC7 15B2  
 NC8 15B2  
 NC9 15B2  
 NC10 15B2  
 NC11 15B2  
 NC12 15B2  
 NC13 15B2  
 NC14 15B2  
 NC15 15B2  
 NC16 15B2  
 NC17 15B2  
 NC18 15B2  
 NC19 15B2  
 NC20 15B2  
 NC21 15B2  
 NC22 15B2  
 NC23 15B2  
 NC24 15B2  
 NC25 15B2  
 NC26 15B2  
 NC27 15B2  
 NC28 15B2  
 NC29 15B2  
 NC30 15B2  
 NC31 15B2  
 NC32 15B2  
 NC33 15B2  
 NC34 15B2  
 NC35 15B2  
 NC36 15B2  
 NC37 15B2  
 NC38 15B2  
 NC39 15B2  
 NC40 15B2  
 NC41 15B2  
 NC42 15B2  
 NC43 15C2  
 NC44 15C2  
 NC45 15C2  
 NC46 15C2  
 NC47 15C2  
 NC48 15C2  
 NC49 15C2  
 NC50 15C2  
 NC51 15C2  
 NC52 15C2  
 NC53 15C2  
 NC54 15C2  
 NC55 15C2  
 NC56 15C2  
 NC57 15C2  
 NC58 15C2  
 NC59 15C2  
 NC60 15C2  
 NC61 15C2  
 NC62 15C2  
 NC63 15C2  
 NC64 15C2  
 NC65 15C2

NC66 15C2  
 NC67 15C2  
 NC68 15C2  
 NC69 15C2  
 NC70 15C2  
 NC71 15C2  
 NC72 15C1  
 NC73 15C1  
 NC74 15C1  
 NC75 15C1  
 NC76 15C1  
 NC77 15C1  
 NC78 15C1  
 NC79 15C1  
 NC80 15C1  
 NC81 15C1  
 NC82 15C1  
 NC83 15C1  
 NC84 15C1  
 NC85 15C1  
 NC86 15C1  
 NC87 15B1  
 NC88 15B1  
 NC89 15B1  
 NC90 15B1  
 NC91 15B1  
 NC92 15B1  
 NC93 15B1  
 NC94 15B1  
 NC95 15B1  
 NC96 15B1  
 NC97 15B1  
 NC98 15B1  
 NC99 15B1  
 NC100 15B1  
 NC101 15B1  
 NC102 15B1  
 NC103 15B1  
 NC104 15B1  
 NC105 15B1  
 NC106 15B1  
 NC107 15B1  
 NC108 15B1  
 NC109 15B1  
 NC110 15B1  
 NC111 15B1  
 NC112 15B1  
 NC113 15B1  
 NC114 15B1  
 NC115 15B1  
 NC116 15B1  
 NC117 15B1  
 NC118 15B1  
 NC119 15B1  
 NC120 15B1  
 NFC\_CLK\_REO 14C1 13B4 22C3  
 OVL0 4D3 4D3  
 OVP\_VCHG 4D2 4D2 13B3  
 PCC\_RFSCK 10B2 13A4  
 PCC\_RFSDA 10B2 13A4  
 PCC\_RFSEN 10B2 13A4  
 PMU\_26M\_IN 3C3 13B2  
 PMU\_32K\_IN 3C3 10C2  
 PMU\_AINC 3D2  
 PMU\_A1SNC 3D2  
 PMU\_B14NC 3B3  
 PMU\_M1INC 3C3  
 PMU\_M13NC 3B2  
 PMU\_M14NC 3B2  
 PMU\_N1INC 3C3  
 PMU\_N2INC 3C3  
 PMU\_N1SNC 3C3  
 PMU\_P1INC 3D2

ALL RIGHTS RESERVED. REPRODUCTION AND DISCLOSURE PROHIBITED

MODIFIED	NAME	DATE	CHECKED	NAME	DATE
	SCHEMATIC	11/NOV/2021		SCHEMATIC	11/NOV/2021
TITLE					
Product Name		SCHEMATIC BOARD sa668t_main_v10c			
P. N.		FORMAT		PAGE/SHEET	
		A2		24 / 29	
VER.	DATE	DOCUMENT NUMBER	TYPE	PART	VERS.



```

PMULP2NC 3C3
PMULP13NC 3C3
PMULP15NC 3D2
PWKEY 3B3 16C4
PWKEY_T 14B2 16C4
RECNO 20B2 21C4
RECNO_T 21C4
RECP0 20B2 21C4
RECP0_T 21C4
RESET_FINGER 13C4 19D3 19D4
RFCTRL_0 8A3 13A4
RFCTRL_1 8A3 13A4
RFCTRL_2 8B3 13A4
RFCTRL_3 13B4 18B3
RFCTRL_4 13B4 18B3
RFCTRL_5 5B4 13B4
RFCTRL_6 5B4 13B4
RFCTRL_9 8A2 13B4
RFCTRL_10 8A2 13B4
RFCTRL_16 7A3 13B4
RFCTRL_17 7A3 13B4
RFIC_CLK_NFC 14C1 13C3 22C3
RFMULTI_SEL 3B3 10C2
RF_TXDET1 5A3 10C4
RTC_MODE 3C3
RXIN_N 22A1 22B2
RXIN_P 22A1 22B2
R_ANTMLB_DR_ANT 8A3
R_HB3_TX_RFC 7B1 10C4
R_LL1_TX_RFC 7C1 10D4
R_LL2_TX_PA 5A2
R_LL2_TX_RFC 5A1 10D4
R_MB1_TX_PA 5A2
R_MB1_TX_RFC 5A1 10C4
R_MB4_TX_RFC 7C1 10C4
SCC_RFSC 10B2 13A4
SCC_RFSDA 10B2 13A4
SCC_RFSEN 10B2 13A4
SD_CLK 13B3 16C2
SD_CMD 13B3 16C2
SD_DAT0 13B3 16C2
SD_DAT1 13B3 16C2
SD_DAT2 13B3 16C2
SD_DAT3 13B3 16C2
SIM1_CLK 13B3 16A2
SIM1_I0 13B3 16A1
SIM1_NFC_SWP1 16A1 22B2
SIM1_RST 13B3 16A2
SIM2_CLK 13C3 16B2
SIM2_I0 13C3 16B1
SIM2_NFC_SWP2 16B1 22C2
SIM2_RST 13C3 16B2
SPT0_CLK 13A3 19D2 19D3
SPT0_CS 13A3 19C2 19C3
SPT0_DI 13A3 19C2 19C3
SPT0_DO 13A3 19D2 19D3
SPI1_CLK 13B3 18B2
SPI1_CS 13B3 18A2
SPI1_DI 13B3 18B2
SPI1_DO 13B3 18B2
TRANS_26M_IN 10C1 10C2
TX_N 22A1 22B2
TX_P 22A1 22B2
URXD0 14B2 13C3
URXD1 13C3 14A2
USB_DM 4C2 14C2 18B2
USB_DM_1 3D3 4C1
USB_DP 4C2 14C2 18B2
USB_DP_1 3D3 4C1
USB_ID 13A3 14C2 18B2
UTXD0 14B2 13C3
UTXD1 13C3 14A2
VARM0 12A1 12D4
VARM0_FB 12A1 12D4
VARM1 3A1 12A1
VARM1_FB 3A2 12A1
VBATA 3D4 3A3
3D4 3A3
3C4 4A3 4B2 12C4 15C3 18B2
16B3 18C2 18C4 19B4 19B4
3C4 20B3
3D4 20B3
3D4 3A3
3D4 20B3
3C4 20B3

```

```

VBATBBSUPPLY 3C4 4A3 4B2 12C4 15C3 18B2
18B3 18C2 18C4 19B4 19B4
7A1 4A3 4B3 4C4 14B2 17B3 22B3
22B4
5B1 7A2 7B1
3C3 3C3 3C3
4C3 4D3 14C2 18C3
3B1 17A4 17C3 17D3
3C1 17A4 17C3
3C1 17A4 17C3
3B1 17C3
3C4 4A2 4A4 4C2 4D2 17A1
4A1 4B3
3A1 12A3
3A2 12A3
3B1 10A1
3B1 4A4 4B4 4C4 4D2 5A2 5A3
5A3 7B1 12C1 12C1 12C1 12C1
12C1 12D3 15A1 15A3 15B1 15B2
16C3 18B2 19A1 19A1 19A2 19A2
19A3 19A4 19B2 19B3 22B3
3B1 11B1 18B1 19B4 19C3 19C4
12C3 14B3 15B2 15C2
15B3 15B4
3B1 15A1
3B1 18B2
3B1 16C3
3B1 7B2 7C1
19A3 19B3
4A2 4B2
3C1 10A1
3C1 4C2 10A1 10B1
3C1 5B4 7A3 7A3 8A2 8B3 18B3
16C2 16C2
3C1 12C2
3C1 12C1 16A2 22B2
16A2 22B2
3C1 12C1 16B2 22C2
16B2 22C2
18A2 18C1
13B4 18C2
18A2 18C1
13B4 18C2
3C1 4C1 4C1 12B1
3C1 12B1
3C1 12B1
14C1 13B4 22B3
11A2 11B3
11B2 13A1
10C1 10C2
3B3 13B2
3B3 13B2

```

ALL RIGHTS RESERVED. REPRODUCTION AND DISCLOSURE PROHIBITED

MODIFIED	NAME	DATE	CHECKED	NAME	DATE
	SCHEMATIC	11/NOV/2021		SCHEMATIC	11/NOV/2021
TITLE					
Product Name		SCHEMATIC BOARD sa668t_main_v10c			
P. N.		SageReal			
FORMAT		A2			
VER. DATE		DOCUMENT NUMBER TYPE PART VERS.			
		PAGE/SHEET 25 / 29			

Title: Cref Part Report		
Design: se668t_main_v10b		
Date: Nov 19 9:42:10 2022		
B401	SELF CMS	{4B4}
B402	SELF CMS	{4B4}
B453	SELF CMS	{4C1}
B454	SELF CMS	{4C1}
B2100	SELF CMS	{21A2}
B2101	SELF CMS	{21A2}
B2160	SELF CMS	{21C4}
B2161	SELF CMS	{21C4}
B11100	B.INDIP	{11A4}
B11101	B.INDIP	{11B4}
B1640	B.INDIP	{16B3}
B1641	B.INDIP	{16C3}
B1642	B.INDIP	{16C3}
B1643	B.INDIP	{16C3}
B1650	B.INDIP	{16A4}
B1651	B.INDIP	{16A4}
B1652	B.INDIP	{16A4}
B1653	B.IND4P	{16B4}
B2160	B.IND3P	{21C4}
B2161	B.IND3P	{21C4}
B2200	B.INDIP	{22A3}
B2201	B.INDIP	{22A3}
B5500	B.INDIP	{5A4}
B5511	B.INDIP	{5B4}
C308	PC0201	{3B3}
C309	PC0201	{3C3}
C310	PC0201	{3B2}
C311	PC0201	{3B2}
C312	PC0201	{3C2}
C313	PC0201	{3B2}
C314	PC0201	{3B2}
C315	PC0201	{3C2}
C316	PC0201	{3B2}
C317	PC0201	{3C2}
C318	PC0603XSR	{3A2}
C319	PC0603XSR	{3A2}
C320	PC0603XSR	{3A2}
C321	PC0402	{3B2}
C322	PC0201	{3C2}
C323	PC0201	{3A2}
C324	PC0402	{3B2}
C325	PC0201	{3B2}
C326	PC0402	{3B2}
C327	PC0201	{3C2}
C328	PC0603XSR	{3A2}
C329	PC0402	{3C3}
C330	PC0201	{3C3}
C331	PC0201	{3C2}
C332	PC0402	{3C2}
C333	PC0402	{3C2}
C334	PC0402	{3C2}
C402	PC0603XSR	{4A4}
C403	PC0201	{4A4}
C404	PC0201	{4A3}
C408	PC0402	{4A3}
C410	PC0402	{4A2}
C413	PC0603XSR	{4A1}
C414	PC0201	{4A1}
C415	PC0402	{4A1}
C416	PC0402	{4A1}
C417	PC0201	{4B1}
C418	PC0201	{4B1}
C433	PC0402	{4C3}
C443	PC0201	{4C4}
C450	PC0201	{4B1}
C451	PC0201	{4C1}
C452	PC0201	{4C1}
C1001	PC0201	{10A2}
C1002	PC0201	{10A2}
C1003	PC0201	{10A2}
C1004	PC0201	{10A2}
C1005	PC0402	{10A2}
C1006	PC0201	{10C4}
C1007	PC0201	{10C4}
C1008	PC0201	{10A2}
C1009	PC0201	{10A2}
C1010	PC0201	{10A2}
C1011	PC0201	{10A2}
C1012	PC0402	{10A2}
C1013	PC0201	{10A2}

C1014	PC0402	{10A2}
C1015	PC0201	{10A1}
C1016	PC0201	{10A2}
C1017	PC0402	{10A2}
C1020	PC0201	{10C1}
C1100	PC0201	{11A4}
C1101	PC0201	{11A3}
C1103	PC0201	{11A3}
C1104	PC0201	{11B2}
C1105	PC0201	{11A2}
C1107	PC0201	{11A2}
C1108	PC0201	{11B2}
C1109	PC0201	{11B1}
C1110	PC0201	{11B1}
C1122	PC0201	{11B3}
C1200	PC0603XSR	{12A3}
C1201	PC0603XSR	{12A3}
C1202	PC0201	{12C3}
C1203	PC0201	{12C3}
C1204	PC0402	{12C3}
C1205	PC0402	{12A3}
C1206	PC0402	{12A3}
C1207	PC0201	{12C3}
C1208	PC0201	{12A3}
C1209	PC0402	{12A3}
C1210	PC0201	{12C3}
C1211	PC0402	{12C3}
C1212	PC0201	{12A3}
C1213	PC0201	{12A3}
C1214	PC0201	{12C3}
C1215	PC0603XSR	{12C3}
C1216	PC0201	{12C2}
C1217	PC0201	{12C1}
C1218	PC0201	{12A2}
C1219	PC0402	{12B2}
C1220	PC0201	{12B2}
C1221	PC0201	{12B2}
C1222	PC0402	{12B2}
C1223	PC0402	{12B2}
C1224	PC0201	{12B2}
C1225	PC0201	{12C2}
C1226	PC0201	{12C2}
C1227	PC0201	{12C1}
C1228	PC0201	{12A2}
C1229	PC0201	{12A1}
C1230	PC0402	{12B1}
C1231	PC0201	{12B1}
C1232	PC0201	{12C1}
C1233	PC0201	{12A1}
C1234	PC0201	{12C1}
C1235	PC0402	{12A1}
C1236	PC0201	{12B1}
C1237	PC0201	{12C1}
C1238	PC0402	{12A1}
C1239	PC0603XSR	{12A1}
C1240	PC0201	{12B1}
C1241	PC0603XSR	{12D3}
C1242	PC0201	{12B1}
C1243	PC0201	{12C1}
C1244	PC0201	{12A1}
C1245	PC0201	{12C1}
C1246	PC0201	{12B1}
C1247	PC0201	{12C1}
C1248	PC0603XSR	{12D3}
C1249	PC0201	{12B1}
C1250	PC0603XSR	{12B1}
C1251	PC0201	{12A3}
C1252	PC0603XSR	{12C3}
C1253	PC0201	{12A1}
C1254	PC0201	{12A3}
C1300	PC0201	{13B3}
C1302	PC0201	{13C2}
C1303	PC0201	{13A1}
C1304	PC0201	{13B1}
C1305	PC0201	{13A1}
C1306	PC0201	{13B1}
C1307	PC0201	{13A1}
C1504	PC0201	{15A3}
C1505	PC0201	{15B3}
C1506	PC0201	{15A3}
C1507	PC0201	{15B3}
C1508	PC0201	{15A3}
C1509	PC0402	{15A3}
C1510	PC0402	{15B3}
C1511	PC0201	{15A3}

C1512	PC0201	{15A3}
C1513	PC0201	{15A3}
C1514	PC0201	{15B3}
C1515	PC0201	{15A3}
C1516	PC0201	{15B3}
C1517	PC0402	{15A3}
C1518	PC0402	{15B3}
C1520	PC0201	{15B3}
C1521	PC0603XSR	{15A3}
C1530	PC0201	{15A1}
C1531	PC0201	{15A1}
C1532	PC0603XSR	{15A1}
C1533	PC0201	{15A1}
C1534	PC0201	{15A1}
C1535	PC0201	{15A1}
C1536	PC0201	{15A1}
C1537	PC0201	{15A1}
C1538	PC0402	{15A1}
C1539	PC0201	{15B1}
C1540	PC0201	{15B1}
C1582	PC0201	{15D2}
C1583	PC0603XSR	{15D2}
C1584	PC0201	{15D2}
C1600	PC0201	{16A1}
C1610	PC0201	{16B1}
C1623	PC0402	{16C2}
C1700	PC0402	{17A4}
C1701	PC0201	{17A4}
C1702	PC0201	{17A4}
C1703	PC0402	{17A4}
C1704	PC0201	{17A4}
C1705	PC0201	{17B4}
C1706	PC0201	{17B4}
C1720	PC0201	{17C3}
C1721	PC0402	{17C3}
C1722	PC0201	{17C3}
C1723	PC0201	{17C3}
C1724	PC0402	{17C3}
C1725	PC0201	{17D3}
C1726	PC0402	{17D3}
C1727	PC0201	{17D3}
C1728	PC0201	{17D3}
C1740	PC0201	{17C2}
C1741	PC0201	{17D2}
C1751	PC0201	{17B2}
C1752	PC0402	{17B2}
C1800	PC0201	{18B2}
C1801	PC0201	{18A2}
C1802	PC0201	{18B2}
C1803	PC0201	{18B2}
C1831	PC0402	{18D1}
C1832	PC0603XSR	{18C1}
C1833	PC0402	{18C1}
C1834	PC0603XSR	{18D1}
C1842	PC0201	{18D3}
C1843	PC0201	{18C3}
C1844	PC0603XSR	{18C3}
C1845	PC0201	{18C3}
C1900	PC0201	{19A4}
C1901	PC0201	{19A3}
C1910	PC0201	{19A2}
C1911	PC0201	{19A1}
C1912	PC0201	{19B1}
C1920	PC0201	{19B3}
C1921	PC0402	{19B2}
C1931	PC0201	{19C4}
C1941	PC0201	{19C3}
C2002	PC0201	{20B3}
C2003	PC0201	{20B3}
C2004	PC0201	{20B3}
C2005	PC0201	{20C3}
C2006	PC0201	{20C3}
C2007	PC0201	{20C3}
C2008	PC0201	{20C3}
C2009	PC0201	{20B3}
C2012	PC0402	{20C2}
C2013	PC0201	{20B2}
C2014	PC0201	{20B2}
C2100	PC0201	{21A1}
C2101	PC0201	{21A1}
C2102	PC0201	{21A1}
C2103	PC0402	{21A2}
C2109	PC0201	{21A4}
C2111	PC0201	{21A4}
C2112	PC0201	{21A4}

C2113	PC0402	{21A4}
C2160	PC0201	{21C4}
C2161	PC0201	{21D4}
C2162	PC0201	{21C4}
C2200	PC0201	{22A3}
C2201	PC0201	{22A3}
C2202	PC0201	{22A2}
C2203	PC0201	{22A2}
C2204	PC0201	{22A2}
C2205	PC0201	{22A2}
C2206	PC0201	{22A2}
C2207	PC0201	{22A2}
C2208	PC0201	{22A2}
C2209	PC0201	{22A2}
C2210	PC0201	{22A2}
C2211	PC0201	{22A2}
C2212	PC0201	{22A2}
C2213	PC0201	{22A2}
C2219	PC0201	{22A2}
C2222	PC0402	{22B3}
C2223	PC0402	{22B3}
C2224	PC0402	{22B3}
C2225	PC0201	{22B3}
C2226	PC0201	{22B3}
C2230	PC0201	{22B2}
C2231	PC0201	{22B2}
C2232	PC0201	{22B2}
C2233	PC0201	{22C2}
C2234	PC0201	{22C2}
C2235	PC0201	{22C2}
C2236	PC0402	{22C2}
C2237	PC0402	{22C2}
C5010	PC0201	{5C4}
C5011	PC0201	{5C4}
C5012	PC0201	{5C3}
C5020	PC0201	{5C4}
C5021	PC0201	{5C4}
C5022	PC0201	{5C3}
C5030	PC0201	{5D3}
C5031	PC0201	{5D3}
C5038	PC0201	{5C4}
C5039	PC0201	{5C3}
C5040	PC0201	{5D3}
C5041	PC0201	{5D3}
C5050	PC0201	{5B1}
C5051	PC0201	{5B1}
C5060	PC0201	{5C1}
C5061	PC0201	{5C1}
C5070	PC0201	{5C1}
C5071	PC0201	{5C1}
C5080	PC0201	{5D1}
C5081	PC0201	{5D1}
C5500	PC0201	{5A2}
C5501	PC0201	{5A1}
C5502	PC0201	{5A1}
C5503	PC0201	{5A2}
C5505	PC0201	{5B2}
C5510	PC0201	{5A4}
C5511	PC0201	{5A3}
C5512	PC0201	{5A3}
C5513	PC0201	{5B4}
C5514	PC0201	{5B4}
C5515	PC0201	{5B4}
C5516	PC0201	{5B4}
C5517	PC0201	{5A2}
C5520	PC0201	{5A4}
C5521	PC0201	{5A3}
C5522	PC0201	{5A3}
C5530	PC0201	{5A4}
C5531		

C6110	PC0201	{6B3}
C6111	PC0201	{6B2}
C6120	PC0201	{6C3}
C6121	PC0201	{6C2}
C7010	PC0201	{7A3}
C7011	PC0201	{7A3}
C7012	PC0201	{7A3}
C7013	PC0201	{7A4}
C7014	PC0201	{7A4}
C7020	PC0201	{7A3}
C7021	PC0201	{7A3}
C7022	PC0201	{7B3}
C7023	PC0201	{7A4}
C7024	PC0201	{7A4}
C7030	PC0201	{7C3}
C7040	PC0201	{7C3}
C7050	PC0201	{7B3}
C7050	PC0201	{7B3}
C7070	PC0201	{7C3}
C7080	PC0201	{7B3}
C7090	PC0201	{7D3}
C7100	PC0201	{7C3}
C7110	PC0201	{7C3}
C7120	PC0201	{7D3}
C7553	PC0201	{7B2}
C7554	PC0201	{7B1}
C7555	PC0201	{7B2}
C7556	PC0201	{7B2}
C7557	PC0201	{7B2}
C7558	PC0201	{7B1}
C7561	PC0201	{7C2}
C7562	PC0201	{7C2}
C7563	PC0201	{7C1}
C7564	PC0201	{7C2}
C7565	PC0201	{7C1}
C7566	PC0201	{7C2}
C7567	PC0201	{7C1}
C7568	PC0201	{7C2}
C7569	PC0402	{7C1}
C8010	PC0201	{8B4}
C8011	PC0201	{8B3}
C8012	PC0201	{8B3}
C8020	PC0201	{8C4}
C8021	PC0201	{8C3}
C8022	PC0201	{8C3}
C8030	PC0201	{8C4}
C8031	PC0201	{8C3}
C8032	PC0201	{8C3}
C8040	PC0201	{8D4}
C8041	PC0201	{8D3}
C8042	PC0201	{8D3}
C8050	PC0201	{8B2}
C8051	PC0201	{8B1}
C8052	PC0201	{8B1}
C8050	PC0201	{8B2}
C8061	PC0201	{8B1}
C8062	PC0201	{8B1}
C8070	PC0201	{8C2}
C8071	PC0201	{8C1}
C8072	PC0201	{8C1}
C8080	PC0201	{8C2}
C8081	PC0201	{8C1}
C8082	PC0201	{8C1}
C8560	PC0201	{8A4}
C8561	PC0201	{8A4}
C8570	PC0201	{8B3}
C8571	PC0201	{8B3}
C8572	PC0201	{8B3}
C8573	PC0201	{8B3}
C8600	PC0201	{8A2}
C8601	PC0201	{8A2}
C8602	PC0201	{8A2}
C8603	PC0201	{8A2}
C8604	PC0201	{8A1}
C9090	PC0201	{9A3}
C9091	PC0201	{9A3}
C9092	PC0201	{9A2}
C9100	PC0201	{9B3}
C9101	PC0201	{9B3}
C9102	PC0201	{9B2}
CB300	PC0603X5R	{3A3}
CB301	PC0603X5R	{3A3}
CB302	PC0603X5R	{3A3}
CB303	PC0201	{3A3}
CB304	PC0402	{3A3}

CB305	PC0402	{3A3}
CB306	PC0201	{3A3}
CB307	PC0402	{3A3}
CB405	PC0603X5R	{4A3}
CB406	PC0603X5R	{4A3}
CB407	PC0603X5R	{4A3}
CB430	PC0402	{4C3}
CB431	PC0201	{4C3}
CB432	PC0201	{4C3}
CB434	PC0402	{4C4}
CB1245	PC0603X5R	{12D3}
CB1254	PC0201	{12D3}
CB1580	PC0603X5R	{15D3}
CB1581	PC0201	{15D3}
CB1750	PC0402	{17B3}
CB1830	PC0603X5R	{18C3}
CB1840	PC0201	{18C3}
CB1941	PC0402	{19C3}
CB1902	PC0201	{19A3}
CB1903	PC0201	{19B4}
CB1904	PC0201	{19B4}
CB2000	PC0402	{20B3}
CB2001	PC0402	{20B3}
CB2220	PC0402	{22B3}
CB2221	PC0201	{22B3}
CB2227	PC0402	{22B3}
CB5507	PC0402	{5B2}
CB5508	PC0201	{5B2}
CB5509	PC0201	{5B1}
CB7559	PC0201	{7B2}
CB7560	PC0201	{7B2}
CC400	PC0402	{4A4}
CC401	PC0201	{4A4}
CC410	PC0402	{4A2}
CC412	PC0201	{4A2}
CC470	PC0402	{4D3}
CC471	PC0402	{4D2}
CC1805	PC0402	{18C3}
CR431	BIDIODE	{4C4}
CR432	PTVSHC3N4U5B	{4C4}
CR434	DIODE	{4C3}
CR435	DIODE	{4C4}
CR440	BIDIODE	{4C4}
CR450	DIODE	{4D1}
CR1602	BIDIODE	{16A1}
CR1612	BIDIODE	{16B1}
CR1630	BIDIODE	{16B2}
CR1640	BIDIODE	{16C4}
CR1641	BIDIODE	{16C4}
CR1642	DIODE	{16C4}
CR1752	BIDIODE	{17C2}
CR1801	BIDIODE	{18B2}
CR1802	BIDIODE	{18B2}
CR1803	BIDIODE	{18B2}
CR1804	BIDIODE	{18B2}
CR1805	BIDIODE	{18B2}
CR1806	BIDIODE	{18B2}
CR1807	BIDIODE	{18B2}
CR1930	BIDIODE	{19C4}
CR1931	BIDIODE	{19D4}
CR1932	BIDIODE	{19C3}
CR1933	BIDIODE	{19C4}
CR1934	BIDIODE	{19D4}
CR1935	BIDIODE	{19D3}
CR1936	BIDIODE	{19D3}
CR2160	BIDIODE	{21C4}
CR2161	BIDIODE	{21D4}
CR2200	BIDIODE	{22A3}
CR2201	BIDIODE	{22A3}
CR5500	DIODE	{5B1}
CR5501	BIDIODE	{5A4}
CR5521	BIDIODE	{5A4}
CR7550	DIODE	{7B1}
D1750	DIODE	{17B1}
D1751	DIODE	{17B1}
D1840	DIODE	{18C3}
DS1751	LED	{17C2}
DS1752	LED	{17C1}
DS1753	LED	{17B1}
DS1754	LED	{17C1}
DS1755	LED	{17C1}
DS1756	LED	{17C1}
DS1757	LED	{17C1}
DS1758	LED	{17B1}
DS1759	LED	{17B1}

FL1100	DP1608-VIS24CAT	{11A3}
FL1101	FILTERSAW	{11B2}
FL1120	FILTERSAW	{11B3}
FL1700	EMILFILTER4P	{17A3}
FL1701	EMILFILTER4P	{17B3}
FL1702	EMILFILTER4P	{17B3}
FL1703	EMILFILTER4P	{17A3}
FL1704	EMILFILTER4P	{17A3}
FL1720	EMILFILTER4P	{17D4}
FL1721	EMILFILTER4P	{17D4}
FL1723	EMILFILTER4P	{17C4}
FL1724	EMILFILTER4P	{17C4}
FL1725	EMILFILTER4P	{17C4}
FL1800	EMILFILTER4P	{18B3}
FL1801	EMILFILTER4P	{18A3}
FL1802	EMILFILTER4P	{18B3}
FL1803	EMILFILTER4P	{18B3}
FL1804	EMILFILTER4P	{18B3}
FL5010	FILTSAWSP_UNBAL	{5C3}
FL5020	FILTSAWSP_UNBAL	{5C3}
FL5030	FILTSAWSP_UNBAL	{5D3}
FL5031	FILTSAWSP_UNBAL	{5C3}
FL5040	FILTSAWSP_UNBAL	{5D3}
FL5050	FILTSAWSP_UNBAL	{5B2}
FL5060	FILTSAWSP_UNBAL	{5C2}
FL5070	FILTSAWSP_UNBAL	{5C2}
FL5080	FILTSAWSP_UNBAL	{5D2}
FL6090	FILTSAWSP_UNBAL	{6A3}
FL6100	FILTSAWSP_UNBAL	{6B3}
FL6110	FILTSAWSP_UNBAL	{6B3}
FL6120	FILTSAWSP_UNBAL	{6C3}
FL6121	FILTSAWSP	{6C3}
FL8010	FILTSAWSP_UNBAL	{8A3}
FL8020	FILTSAWSP_UNBAL	{8C3}
FL8030	FILTSAWSP_UNBAL	{8C3}
FL8040	FILTSAWSP_UNBAL	{8D3}
FL8050	FILTSAWSP_UNBAL	{8B2}
FL8060	FILTSAWSP_UNBAL	{8C2}
FL8070	FILTSAWSP_UNBAL	{8C2}
FL8080	FILTSAWSP_UNBAL	{8C2}
FL9090	FILTSAWSP_UNBAL	{9A3}
FL9100	FILTSAWSP_UNBAL	{9B3}
J440	CONN10PS_BTBA	{4C4}
J800	CONN4PS_A	{8A4}
J900	CONN2X15P4F	{17D3}
J1600	SIM10PIN_CAF00	{16A1}
J1610	SIM10PIN_CAF00	{16B1}
J1620	TCHARD10PIN_CAF00	{16C1}
J1613	SHELL_CAF00211340308_A	{16B4}
J1700	CONN2X17PS_A	{17A4}
J1740	CONN2X7PS_A	{17D2}
J1800	CONN2X27PS	{18B3}
J1930	CONN2X7PS_A	{19C4}
J1940	CONN2X7PS_A	{19D2}
J5510	CONN4PS_A	{5A3}
L300	SELF CMS	{3A2}
L301	SELF CMS	{3A2}
L302	SELF CMS	{3A2}
L303	SELF CMS	{3B2}
L304	SELF CMS	{3B2}
L400	SELF CMS	{4A3}
L410	SELF CMS	{4A1}
L1100	SELF CMS	{11B3}
L1101	SELF CMS	{11B3}
L1102	SELF CMS	{11A2}
L1103	SELF CMS	{11B2}
L1121	SELF CMS	{11B3}
L1122	SELF CMS	{11B3}
L1123	SELF CMS	{11B3}
L1124	SELF CMS	{11B3}
L1200	SELF CMS	{12D3}
L1300	SELF CMS	{13A1}
L1301	SELF CMS	{13A1}
L1302	SELF CMS	{13A1}
L1580	SELF CMS	{15C2}
L1750	SELF CMS	{17B2}
L1800	SELF CMS	{18B2}
L1830	SELF CMS	{18C2}
L1940	SELF CMS	{19C3}
L2200	SELF CMS	{22A2}
L2201	SELF CMS	{22A2}
L5010	SELF CMS	{5C4}
L5011	SELF CMS	{5C4}
L5012	SELF CMS	{5C3}
L5013	SELF CMS	{5C3}

L5020	SELF CMS	{5C4}
L5021	SELF CMS	{5C4}
L5022	SELF CMS	{5C3}
L5023	SELF CMS	{5C3}
L5030	SELF CMS	{5D4}
L5031	SELF CMS	{5D4}
L5032	SELF CMS	{5D3}
L5033	SELF CMS	{5D3}
L5038	SELF CMS	{5C4}
L5039	SELF CMS	{5C3}
L5040	SELF CMS	{5D4}
L5041	SELF CMS	{5D4}
L5042	SELF CMS	{5D3}
L5043	SELF CMS	{5D3}
L5050	SELF CMS	{5B2}
L5051	SELF CMS	{5B2}
L5052	SELF CMS	{5C1}
L5053	SELF CMS	{5C1}
L5060	SELF CMS	{5C2}
L5061	SELF CMS	{5C2}
L5062	SELF CMS	{5C1}
L5063	SELF CMS	{5C1}
L5070	SELF CMS	{5C2}
L5071	SELF CMS	{5C2}
L5072	SELF CMS	{5C1}
L5073	SELF CMS	{5C1}
L5080	SELF CMS	{5D2}
L5081	SELF CMS	{5D2}
L5082	SELF CMS	{5D1}
L5083	SELF CMS	{5D1}
L5501	SELF CMS	{5A3}
L5502	SELF CMS	{5A3}
L5520	SELF CMS	{5A4}
L5521	SELF CMS	{5A4}
L5522	SELF CMS	{5A4}
L5530	SELF CMS	{5A4}
L5531	SELF CMS	{5B4}
L6090	SELF CMS	{6A3}
L6091	SELF CMS	{6A3}
L6092	SELF CMS	{6A3}
L6093	SELF CMS	{6A3}
L6100	SELF CMS	{6B3}
L6101	SELF CMS	{6B3}
L6102	SELF CMS	{6B3}
L6103	SELF CMS	{6B3}
L6110	SELF CMS	{6B3}
L6111	SELF CMS	{6B3}
L6112	SELF CMS	{6B3}
L6113	SELF CMS	{6B3}
L6120	SELF CMS	{6C3}
L6121	SELF CMS	{6C3}
L6122	SELF CMS	{6C3}
L6123	SELF CMS	{6C3}
L6124	SELF CMS	{6C3}
L7010	SELF CMS	{7A3}
L7011	SELF CMS	{7A3}
L7012	SELF CMS	{7A4}
L7020	SELF CMS	{7B3}
L7021	SELF CMS	{7B3}
L7022	SELF CMS	{7A4}
L7030	SELF CMS	{7C3}
L7031	SELF CMS	{7C3}
L7040	SELF CMS	{7C3}
L7041	SELF CMS	{7C3}
L7050	SELF CMS	{7B3}
L7051	SELF CMS	{7B3}
L7060	SELF CMS	{7B3}
L7061	SELF CMS	{7B3}
L7070	SELF CMS	{7C3}
L7071	SELF CMS	{7C3}
L7080	SELF CMS	{7B3}
L7090	SELF CMS	{7D3}
L7091	SELF CMS	{7D3}

ALL RIGHTS RESERVED. REPRODUCTION AND DISCLOSURE PROHIBITED

MODIFIED	NAME	DATE	CHECKED	NAME	DATE
	SCHEMATIC	11/NOV/2021		SCHEMATIC	11/NOV/2021
TITLE					
Product Name					
SCHEMATIC BOARD sa668t_main_v10c					
P. N.					
FORMAT					
A2					
DOCUMENT NUMBER				TYPE	PART
VER.				DATE	VER.

SageReal 伊路智联  
PAGE/SHEET 27/29

L7100	SELF CMS	[7D3]
L7101	SELF CMS	[7D3]
L7110	SELF CMS	[7C3]
L7111	SELF CMS	[7C3]
L7120	SELF CMS	[7D3]
L7121	SELF CMS	[7D3]
L7550	SELF CMS	[7B1]
L7551	SELF CMS	[7C1]
L7552	SELF CMS	[7C1]
L8010	SELF CMS	[8B4]
L8011	SELF CMS	[8B4]
L8012	SELF CMS	[8B3]
L8013	SELF CMS	[8B3]
L8020	SELF CMS	[8C4]
L8021	SELF CMS	[8C4]
L8022	SELF CMS	[8C3]
L8023	SELF CMS	[8C3]
L8030	SELF CMS	[8C4]
L8031	SELF CMS	[8C4]
L8032	SELF CMS	[8C3]
L8033	SELF CMS	[8C3]
L8040	SELF CMS	[8D4]
L8041	SELF CMS	[8D4]
L8042	SELF CMS	[8D3]
L8043	SELF CMS	[8D3]
L8050	SELF CMS	[8B2]
L8051	SELF CMS	[8B2]
L8052	SELF CMS	[8B1]
L8053	SELF CMS	[8B1]
L8060	SELF CMS	[8C2]
L8061	SELF CMS	[8C2]
L8062	SELF CMS	[8C1]
L8063	SELF CMS	[8C1]
L8070	SELF CMS	[8C2]
L8071	SELF CMS	[8C2]
L8072	SELF CMS	[8C1]
L8073	SELF CMS	[8C1]
L8080	SELF CMS	[8C2]
L8081	SELF CMS	[8C2]
L8082	SELF CMS	[8D1]
L8083	SELF CMS	[8D1]
L8560	SELF CMS	[8A3]
L9090	SELF CMS	[9A3]
L9091	SELF CMS	[9A3]
L9092	SELF CMS	[9A3]
L9093	SELF CMS	[9A2]
L9100	SELF CMS	[9B3]
L9101	SELF CMS	[9B3]
L9102	SELF CMS	[9B3]
L9103	SELF CMS	[9B2]
M1920	STK33562	[19A4]
M1910	BM4220	[19A1]
M1911	MXC6255XC	[19B1]
M1920	MNC5603NJ	[19B2]
MA400	SGM41516D	[4A3]
MA410	FAN5400	[4A1]
MA470	QVPS9	[4D2]
MA471	QVPI2P	[4D2]
MA1100	MAX2659	[11A2]
MA1200	FAN5355S	[12D3]
MA1580	ETA3451	[15D3]
MA1750	OCPL375	[17B2]
MA1830	KTDR2151_A	[18C1]
MA1840	OCPL178	[18C3]
MA1901	AP7343	[19B4]
MA2220	PN553	[22C2]
MA5500	SKY77910	[5B2]
MA5520	SX9325	[5A3]
MA7010	MXD8015	[7A4]
MA7020	MXD8015	[7A4]
MA7500	SKY77643	[7B2]
MARK10	POINTEST	[3C1]
MARK11	POINTEST	[3C1]
MARK20	POINTEST	[3C1]
MARK21	POINTEST	[3C1]
MN300	SC2721G	[3B2]
MN300	SC2721G	[20B3]
MN1000	SC9832E_B	[12B4]
		[12B2]
		[13B2]
		[13B3]
MN1000	SC9832E_B	[14B4]
MN1001	SR3583A_A	[10C3]
MN1500	EMMC153NAND	[15B2]
MN1501	LPDDR4_200	[15B4]

Q450	MOSNUMT3	[4C1]
Q451	MOSNUMT3	[4C1]
Q1630	MOSPSOT323	[16C2]
Q1631	MOSNUMT3	[16C2]
Q1750	MOSNUMT3	[17B1]
R300	PR0201	[3C3]
R301	PR0201	[3C3]
R302	PR0402	[3C3]
R401	PR0201	[4A4]
R402	PR0201	[4A4]
R403	PR0201	[4B4]
R404	PR0201	[4B4]
R405	PR0201	[4B4]
R406	PR0201	[4B4]
R407	PR0201	[4A3]
R408	PR0201	[4B3]
R413	PR0201	[4B2]
R414	PR0201	[4B2]
R415	PR0201	[4B2]
R420	PR0805	[4A2]
R421	PR0805	[4B2]
R430	PR0201	[4C4]
R431	PR0201	[4C4]
R432	PR0805	[4C4]
R435	PR0805	[4C3]
R443	PR0201	[4B4]
R444	PR0201	[4C4]
R445	PR0201	[4B4]
R451	PR0201	[4C1]
R452	PR0201	[4C1]
R453	PR0201	[4C1]
R454	PR0201	[4C1]
R455	PR0201	[4D1]
R456	PR0201	[4D1]
R457	PR0201	[4D1]
R471	PR0201	[4D3]
R472	PR0201	[4D3]
R473	PR0201	[4D2]
R480	PR0201	[4C2]
R481	PR0201	[4C2]
R1021	PR0201	[10C4]
R1022	PR0201	[10C4]
R1023	PR0201	[10C4]
R1024	PR0201	[10C1]
R1026	PR0201	[10C1]
R1030	PR0201	[10B1]
R1032	PR0201	[10B1]
R1035	PR0201	[10B1]
R1101	PR0201	[11A3]
R1102	PR0402	[11B1]
R1121	PR0201	[11B3]
R1122	PR0201	[11B3]
R1200	PR0201	[12D3]
R1201	PR0201	[12D3]
R1300	PR0201	[13A1]
R1301	PR0201	[13A1]
R1302	PR0201	[13B3]
R1303	PR0402	[13C3]
R1304	PR0402	[13C3]
R1306	PR0201	[13C2]
R1307	PR0201	[13A1]
R1400	PR0201	[14B3]
R1401	PR0201	[14B3]
R1406	PR0201	[14B3]
R1500	PR0201	[15B4]
R1501	PR0201	[15B4]
R1502	PR0201	[15B4]
R1503	PR0201	[15B3]
R1504	PR0201	[15B3]
R1508	PR0201	[15B3]
R1509	PR0201	[15B3]
R1518	PR0201	[15B3]
R1519	PR0201	[15B3]
R1530	PR0201	[15B1]
R1531	PR0201	[15B1]
R1560	PR0201	[15B3]
R1562	PR0201	[15B3]
R1563	PR0201	[15C3]
R1580	PR0201	[15D3]
R1591	PR0201	[15D2]
R1592	PR0201	[15D2]
R1600	PR0201	[16A2]
R1601	PR0201	[16A2]
R1602	PR0201	[16A2]
R1603	PR0201	[16A2]


R1604	PR0201	[16A1]
R1610	PR0201	[16B2]
R1611	PR0201	[16B2]
R1612	PR0201	[16B2]
R1613	PR0201	[16B2]
R1614	PR0201	[16B1]
R1620	PR0201	[16C2]
R1621	PR0201	[16C2]
R1622	PR0201	[16C2]
R1624	PR0201	[16C2]
R1625	PR0201	[16C2]
R1626	PR0201	[16C2]
R1630	PR0201	[16B2]
R1631	PR0201	[16B2]
R1632	PR0201	[16B2]
R1633	PR0402	[16B2]
R1634	PR0201	[16C2]
R1635	PR0201	[16C2]
R1640	PR0402	[16B4]
R1641	PR0402	[16C4]
R1642	PR0402	[16C4]
R1700	PR0201	[17B3]
R1701	PR0201	[17B3]
R1702	PR0201	[17B3]
R1703	PR0201	[17B3]
R1704	PR0201	[17B3]
R1705	PR0201	[17A3]
R1706	PR0201	[17B3]
R1707	PR0201	[17A3]
R1708	PR0201	[17A3]
R1709	PR0201	[17A3]
R1710	PR0402	[17A4]
R1711	PR0201	[17B4]
R1712	PR0201	[17B1]
R1720	PR0201	[17D4]
R1721	PR0201	[17D4]
R1722	PR0201	[17D4]
R1723	PR0201	[17D4]
R1724	PR0201	[17D4]
R1725	PR0201	[17C4]
R1726	PR0201	[17C4]
R1727	PR0201	[17C4]
R1728	PR0201	[17C4]
R1729	PR0201	[17C4]
R1730	PR0402	[17C3]
R1731	PR0201	[17D3]
R1742	PR0201	[17D2]
R1743	PR0201	[17D2]
R1750	PR0201	[17B2]
R1751	PR0201	[17B2]
R1753	PR0201	[17C1]
R1754	PR0201	[17C1]
R1755	PR0201	[17B2]
R1756	PR0201	[17B1]
R1759	PR0201	[17B1]
R1800	PR0201	[18B3]
R1801	PR0201	[18A3]
R1802	PR0201	[18B3]
R1803	PR0201	[18A3]
R1804	PR0201	[18B3]
R1805	PR0201	[18B3]
R1806	PR0201	[18B3]
R1807	PR0201	[18B3]
R1808	PR0201	[18A3]
R1809	PR0201	[18A3]
R1815	PR0201	[18A3]
R1820	PR0201	[18B2]
R1821	PR0201	[18B2]
R1822	PR0201	[18B2]
R1823	PR0201	[18B2]
R1826	PR0201	[18B2]
R1827	PR0201	[18B2]
R1840	PR0402	[18C4]
R1841	PR0201	[18C4]
R1842	PR0201	[18D4]
R1843	PR0201	[18D4]
R1844	PR0201	[18C3]
R1845	PR0201	[18C3]
R1846	PR0201	[18D3]
R1847	PR0201	[18D3]
R1848	PR0201	[18D3]
R1900	PR0201	[19A4]
R1901	PR0201	[19A3]
R1902	PR0201	[19B4]
R1903	PR0402	[19B4]

R2000	PR0201	[20B3]
R2001	PR0201	[20B3]
R2002	PR0402	[20B2]
R2004	PR0402	[20B3]
R2005	PR0201	[20C3]
R2009	PR0201	[20C3]
R2010	PR0201	[20C3]
R2011	PR0201	[20C3]
R2012	PR0402	[20B2]
R2017	PR0402	[20B2]
R2025	PR0402	[20B2]
R2100	PR0201	[21A2]
R2101	PR0201	[21A2]
R2102	PR0201	[21A2]
R2103	PR0201	[21A2]
R2200	PR0201	[22A2]
R2201	PR0201	[22A2]
R2202	PR0201	[22A2]
R2203	PR0201	[22A2]
R2204	PR0201	[22A2]
R2205	PR0201	[22A2]
R2220	PR0201	[22C3]
R2221	PR0201	[22C3]
R2222	PR0201	[22C3]
R2223	PR0201	[22C3]
R5030	PR0201	[5D4]
R5040	PR0201	[5D4]
R5050	PR0201	[5B2]
R5060	PR0201	[5C2]
R5070	PR0201	[5C2]
R5080	PR0201	[5D2]
R5500	PR0201	[5A2]
R5501	PR0201	[5A1]
R5502	PR0201	[5A2]
R5503	PR0201	[5A2]
R5505	PR0201	[5A1]
R5506	PR0201	[5B1]
R5510	PR0201	[5A4]
R5513	PR0201	[5B3]
R5514	PR0201	[5B3]
R5515	PR0201	[5B3]
R5516	PR0201	[5B3]
R5520	PR0201	[5A4]
R5521	PR0201	[5A4]
R5522	PR0201	[5A3]
R5523	PR0201	[5A3]
R5524	PR0201	[5A3]
R5530	PR0201	[5B4]
R6000	PR0201	[6B3]
R6100	PR0201	[6B3]
R6110	PR0201	[6B3]
R6120	PR0201	[6C3]
R6121	PR0201	[6B3]
R7010	PR0201	[7A4]
R7020	PR0201	[7A4]
R8600	PR0201	[8A1]
RT480	CTN	[4C2]
RT1000	CTN	[10B1]
S450	TS5A3159	[4C1]
S5511	MXD8544	[5B3]
S8560	SKY13418	[8A3]
S8600	MXD8638C	[8A1]
S4300	BLINDSP	[3A1]
S4301	BLIND2P	[3A1]
S4302	BLINDIP	[3A1]
S4303	BLINDIP	[3A1]
S4304	BLINDIP	[3A1]
S4305	BLINDIP	[3B1]
S4306	BLINDIP	[3B1]
TP1402	PLOT	[14B3]
TP1403	PLOT	[14B3]
TP1404	POINTEST	[14A3]
TP1405	POINTEST	[14A3]

ALL RIGHTS RESERVED. REPRODUCTION AND DISCLOSURE PROHIBITED

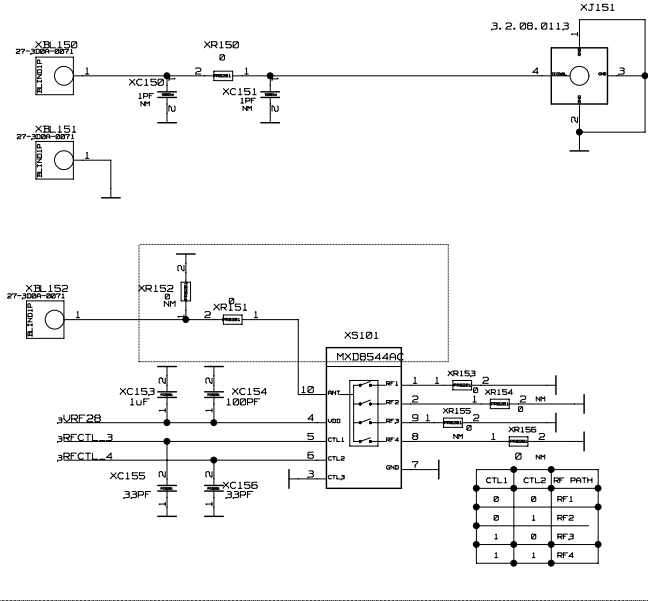
MODIFIED	NAME	DATE	CHECKED	NAME	DATE
	SCHEMATIC	11/NOV/2021		SCHEMATIC	11/NOV/2021
TITLE					
Product Name		SCHEMATIC BOARD sa668t_main_v10c			
P. N.		FORMAT SIZE		PAGE/SHEET	
		A2		28 / 29	
VER.	DATE	DOCUMENT NUMBER	TYPE	PART	VERS.

TP1410	POINTEST	[14B3]
TP1411	POINTEST	[14B3]
TP1412	POINTEST	[14B3]
TP1413	POINTEST	[14B3]
TP1414	POINTEST	[14C3]
TP1415	POINTEST	[14C3]
TP1416	POINTEST	[14C3]
TP1417	POINTEST	[14D3]
TP1418	POINTEST	[14D3]
TP1419	POINTEST	[14C3]
TP1420	PL_0T	[14C2]
TP1421	PL_0T	[14C2]
TP1422	PL_0T	[14C2]
TP1424	PL_0T	[14C2]
TP1425	PL_0T	[14C2]
TP1430	PL_0T	[14C2]
TP1431	PL_0T	[14C2]
TP1432	PL_0T	[14C2]
TP1450	PL_0T	[14B2]
TP1451	PL_0T	[14B2]
TP1452	PL_0T	[14B2]
TP1453	PL_0T	[14B2]
TP1454	PL_0T	[14B2]
TP1455	PL_0T	[14B2]
TP1458	PL_0T	[14A1]
TP1459	PL_0T	[14B1]
TP1462	PL_0T	[14B1]
TP1463	PL_0T	[14B1]
TP1464	PL_0T	[14B1]
TP1465	PL_0T	[14B1]
TP1470	PL_0T	[14B2]
TP1471	PL_0T	[14B2]
Y1000	QUARTZ4P	[10C1]
Z400	ETO1LE2	[4C3]
Z430	ETO1LE2	[4C4]
Z431	ETO1LE2	[4D4]
Z432	ETO1LE2	[4C3]
Z1200	ETO1LE2	[12A3]
Z1201	ETO1LE2	[12A3]
Z1202	ETO1LE2	[12A1]
Z1203	ETO1LE2	[12A1]
Z1204	ETO1LE2	[12A1]
Z1300	ETO1LE2	[13A1]
Z1301	ETO1LE2	[13B1]
Z1510	ETO1LE2	[15A3]
Z2007	ETO1LE2	[20B2]
Z2102	ETO1LE2	[21B1]
Z2110	ETO1LE2	[21A4]

MODIFIED	NAME	DATE	CHECKED	NAME	DATE
	SCHEMATIC	11/NOV/2021		SCHEMATIC	11/NOV/2021
TITLE					
Product Name		SCHEMATIC BOARD sa668t_main_v10c			
P. N.				FORMAT	PAGE/SHEET
				A2	29 / 29
VER.	DATE	DOCUMENT NUMBER	TYPE	PART	VERS.

ALL RIGHTS RESERVED. REPRODUCTION AND DISCLOSURE PROHIBITED

# 4G DRX ANT



# Page Rule

Page1 : 4G ANT/ANT Tunner  
 Page Rule introduction  
 Schematic Version History

Page2 : Audio<Headphone/Audio PA/SPK/Reciver/MIC/VIB>

Page3 : Link Connect/USB/Spring/Mark point

# History

Date	Version	Owner	Description
2023/4/21	V00	Zhou Airong	

DRAWING:  
 BOARD SE668t SUB V00  
 board se668t sub v00  
 LAST\_MODIFIED=Fri May 05 18:22:30 2023

ALL RIGHTS RESERVED.REPRODUCTION AND DISCLOSURE PROHIBITED

MODIFIED	NAME	DATE	CHECKED	NAME	DATE
	SCHEMATIC	8/07/2015		SCHEMATIC	8/07/2015
TITLE					
4G DRX ANT					
Product Name					
SCHEMATIC BOARD 66867650gh66810v00					
P. N.					PAGE/SHEET
					1 / 5
VER.	DATE	FORMAT	DOCUMENT NUMBER	TYPE	PART
V00	8/07	A2			
VER.	DATE				VERS.







Title: Basenet Report  
 Design: se668s\_sub\_bf6\_v20  
 Date: Apr 20 16:55:25 2023

Base nets and synonyms for  
 se668s\_11b.SE668S\_SUB\_BF6\_V20(@se668s\_11b.se668s\_sub\_bf6\_v20(sch\_1))

Base Signal	Location (Zone) (dir)
AMPG_VCOM_PA	2A4 2D4 3B3
EINT_HEADSET	2B3 3B3
EN_AUDIOPA	2D4 3B3
FM_ANT	2A3 3B4
HSMIC	2B3 3B3
HSPKL	2A2 3B3
HSPKR	2B2 2C4 3B3
LOUDSPKN	2C2 2C2
LOUDSPKP	2C2 2D2
MIC08F	2A2 3B4
MIC08F	2A2 3B4
RFCTL_3	1B4 3B4
RFCTL_4	1B4 3B3
USB_DM	3B1 3B4
USB_DP	3B1 3B4
USB_ID	3B1 3B4
VBATEB	2C4 3B3 3B4
VBUS	3A3 3B1
VIIR	2B4 3B3
VRF28	1B4 3B4

MODIFIED	NAME	DATE	CHECKED	NAME	DATE
	SCHEMATIC	8/07/2015		SCHEMATIC	8/07/2015
TITLE					
Product Name		SCHEMATIC BOARD SE668t_sub_gh6681_v00			
P. N.					FORMAT SIZE
					A2
PAGE/SHEET				4 / 5	
VER.	DATE	DOCUMENT NUMBER	TYPE	PART	VERS.

ALL RIGHTS RESERVED. REPRODUCTION AND DISCLOSURE PROHIBITED

Title: Cref Part Report  
 Design: se668a\_sub\_bf6\_v20  
 Date: Apr 20 16:55:25 2023

XB220 SELFCMS [2A4]  
 XB221 SELFCMS [2A4]  
 XB222 SELFCMS [2A3]  
 XB223 SELFCMS [2B3]  
 XB224 SELFCMS [2B4]  
 XB225 SELFCMS [2B4]  
 XB240 SELFCMS [2C3]  
 XB241 SELFCMS [2D3]  
 XL150 BLINDIP [1A4]  
 XL151 BLINDIP [1A4]  
 XL152 BLINDIP [1B4]  
 XL250 BLINDIP [2C1]  
 XL251 BLINDIP [2C1]  
 XL270 BLINDIP [2B3]  
 XL271 BLINDIP [2C3]  
 XL354 BLINDIP [3C4]  
 XL355 BLINDIP [3C4]  
 XC150 PC0201 [1A4]  
 XC151 PC0201 [1A4]  
 XC153 PC0201 [1B4]  
 XC154 PC0201 [1B4]  
 XC155 PC0201 [1B4]  
 XC156 PC0201 [1B4]  
 XC202 PC0201 [2A2]  
 XC203 PC0201 [2A1]  
 XC220 PC0201 [2A4]  
 XC221 PC0201 [2A3]  
 XC222 PC0201 [2A3]  
 XC223 PC0201 [2B3]  
 XC224 PC0201 [2B3]  
 XC225 PC0201 [2B4]  
 XC226 PC0603XSR [2A2]  
 XC227 PC0603XSR [2B2]  
 XC242 PC0201 [2C4]  
 XC243 PC0201 [2D4]  
 XC244 PC0201 [2C3]  
 XC245 PC0402 [2C3]  
 XC246 PC0402 [2C3]  
 XC247 PC0402 [2C3]  
 XC248 PC0201 [2C3]  
 XC249 PC0201 [2D3]  
 XC250 PC0201 [2C1]  
 XC251 PC0201 [2C1]  
 XC270 PC0201 [2B3]  
 XC271 PC0201 [2B3]  
 XC340 PC0402 [2C4]  
 XC341 PC0201 [2C3]  
 XCC370 PC0603XSR [3B2]  
 XCC371 PC0201 [3B1]  
 XCC372 PC0201 [3B1]  
 XCR203 BIDIODE [2A1]  
 XCR204 BIDIODE [2A1]  
 XCR220 DIODE [2A4]  
 XCR221 BIDIODE [2A3]  
 XCR222 BIDIODE [2B3]  
 XCR223 BIDIODE [2B4]  
 XCR224 BIDIODE [2B4]  
 XCR250 BIDIODE [2C1]  
 XCR251 BIDIODE [2C1]  
 XCR370 DIODE [3B2]  
 XCR371 2DIODEA [3B1]  
 XCR372 BIDIODE [3B2]  
 XD370 DIODE [3B2]  
 XFL370 EMI\_FILTER4P [3B1]  
 XJ151 CONN4PS\_A [1A3]  
 XJ220 JACKSTEREO5PL2\_A [2A4]  
 XJ301 CONN2X17PS\_A [3B4]  
 XJ370 TYPEC26P [3B2]  
 XMA240 CW9817\_A [2C3]  
 XMARK10 POINTTEST [3C2]  
 XMARK11 POINTTEST [3C2]  
 XMARK20 POINTTEST [3C2]  
 XMARK21 POINTTEST [3C2]  
 XMK201 MICROPHONE [2A1]  
 XR150 PR0201 [1A4]  
 XR151 PR0201 [1B4]  
 XR152 PR0201 [1B4]  
 XR153 PR0201 [1B3]  
 XR154 PR0201 [1B3]  
 XR155 PR0201 [1B3]

XR156 PR0201 [1B3]  
 XR220 PR0201 [2A4]  
 XR221 PR0201 [2A3]  
 XR222 PR0201 [2B3]  
 XR223 PR0201 [2A3]  
 XR224 PR0201 [2B3]  
 XR225 PR0201 [2B4]  
 XR226 PR0402 [2B4]  
 XR240 PR0201 [2C3]  
 XR241 PR0201 [2D3]  
 XR244 PR0201 [2D3]  
 XR270 PR0201 [2B3]  
 XR271 PR0201 [2C3]  
 XR372 PR0201 [3B1]  
 XR373 PR0201 [3B1]  
 XR374 PR0201 [3B2]  
 XS101 XDS544 [1B4]  
 XSH320 BLIND2P [3C3]  
 XTP370 PLOT [3B2]  
 XZ202 ETOILE2 [2A1]  
 XZ220 ETOILE2 [2A4]  
 XZ240 ETOILE2 [2D3]

MODIFIED	NAME	DATE	CHECKED	NAME	DATE
	SCHEMATIC	8/07/2015		SCHEMATIC	8/07/2015
TITLE					
Product Name		SCHEMATIC BOARD se668a_sub_bf6_v20			
P. N.		FORMAT		PAGE/SHEET	
		A2		5 / 5	
VER.	DATE	DOCUMENT NUMBER	TYPE	PART	VERS.

ALL RIGHTS RESERVED. REPRODUCTION AND DISCLOSURE PROHIBITED