

FCC Test Report

FCC ID: O55634521

Product: 6.3 inch 4G Smart Phone
Trade Mark: LOGIC, iSWAG, UNONU
Model Number: L63
Family Model: ACTIV, N63
Report No.: STR211125003007E

Prepared for

SWAGTEK

10205 NW 19th Street STE101 Miami, FL 33172

Prepared by

Shenzhen NTEK Testing Technology Co., Ltd.
1/F, Building E, Fenda Science Park, Sanwei Community,
Xixiang Street Bao'an District, Shenzhen P.R. China
Tel. 400-800-6106, 0755-2320 0050, 0755-2320 0090
Website:<http://www.ntek.org.cn>

TEST RESULT CERTIFICATION

Applicant's name..... : SWAGTEK
Address..... : 10205 NW 19th Street STE101 Miami, FL 33172
Manufacturer's Name..... : SWAGTEK
Address..... : 10205 NW 19th Street STE101 Miami, FL 33172

Product description

Product name..... : 6.3 inch 4G Smart Phone
Model and/or type reference : L63
Family Model..... : ACTIV, N63

Standards..... : FCC Part15B
ANSI C63.4:2014

This device described above has been tested by NTEK, and the test results show that the equipment under test (EUT) is in compliance with Part 15 of FCC Rules. And it is applicable only to the tested sample identified in the report.

This report shall not be reproduced except in full, without the written approval of NTEK, this document may be altered or revised by NTEK, personnel only, and shall be noted in the revision of the document.

Date of Test :
Date (s) of performance of tests..... : Nov 26 . 2021 ~ Dec 20. 2021
Date of Issue : Dec 20. 2021
Test Result : Pass

Testing Engineer : [Signature]
(Allen Liu)

Authorized Signatory : [Signature]
(Alex Li)

Table of Contents

Page

1 . TEST SUMMARY	4
1.1 TEST FACILITY	5
1.2 MEASUREMENT UNCERTAINTY	5
2 . GENERAL INFORMATION	6
2.1 GENERAL DESCRIPTION OF EUT	6
2.2 DESCRIPTION OF TEST SETUP	8
2.3 DESCRIPTION TEST PERIPHERAL AND EUT PERIPHERAL	9
2.4 MEASUREMENT INSTRUMENTS LIST	10
3 . EMC EMISSION TEST	11
3.1 CONDUCTED EMISSION MEASUREMENT	11
3.1.1 POWER LINE CONDUCTED EMISSION	11
3.1.2 TEST PROCEDURE	12
3.1.3 TEST SETUP	12
3.1.4 EUT OPERATING CONDITIONS	12
3.1.5 TEST RESULTS	13
3.2 RADIATED EMISSION MEASUREMENT	19
3.2.1 LIMITS OF RADIATED EMISSION MEASUREMENT	19
3.2.2 TEST PROCEDURE	19
3.2.3 TEST SETUP	20
3.2.4 TEST RESULTS	21
3.2.5 TEST RESULTS(1000~18000MHz)	27

1. TEST SUMMARY

Test procedures according to the technical standards:

EMC Emission				
Standard	Test Item	Limit	Judgment	Remark
FCC Part15B ANSI C63.4: 2014	Conducted Emission	Class B	PASS	
	Radiated Emission	Class B	PASS	

NOTE:

- (1) 'N/A' denotes test is not applicable in this Test Report
- (2) For client's request and manual description, the test will not be executed.

1.1 TEST FACILITY

Shenzhen NTEK Testing Technology Co., Ltd
Add. : 1/F, Building E, Fenda Science Park, Sanwei Community, Xixiang Street, Bao'an District,
Shenzhen 518126 P.R. China.

IC-Registration The Certificate Registration Number is 9270A.
 CAB identifier:CN0074
FCC- Accredited Test Firm Registration Number: 463705.
 Designation Number: CN1184

1.2 MEASUREMENT UNCERTAINTY

The reported uncertainty of measurement $y \pm U$, where expanded uncertainty U is based on a standard uncertainty multiplied by a coverage factor of $k=2$, providing a level of confidence of approximately **95 %**.

A. Conducted Measurement :

Test Site	Method	Measurement Frequency Range	U, (dB)	NOTE
NTEKC01	ANSI	150 KHz ~ 30MHz	±2.80dB	

B. Radiated Measurement :

Test Site	Method	Measurement Frequency Range	U, (dB)	NOTE
NTEKA01	ANSI	30MHz~1000MHz	±2.64dB	
		1GHz~6GHz	±2.40dB	
		6GHz~26.5GHz	±2.52dB	

2. GENERAL INFORMATION

2.1 GENERAL DESCRIPTION OF EUT

Equipment	6.3 inch 4G Smart Phone	
Trade Mark	LOGIC, iSWAG, UNONU	
Model Name	L63	
Family Model	ACTIV, N63	
Model Difference	All models have same circuit, RF module, motherboard and antenna, only the appearance and battery cover logo brand and memory are different.	
Product Description	Connecting I/O port:	Micro USB, Earphone
	Operation Frequency:	5.825GHz
	Based on the application, features, or specification exhibited in User's Manual, the EUT is considered as an ITE/Computing Device. More details of EUT technical specification, please refer to the User's Manual.	
Adapter	Model:HB001-B Input: AC 100-240V~50/60Hz 0.2A Output: DC 5V ---1.5A	
Battery	DC 3.8V, 3800mAh, 14.44Wh	
Power supply	DC 3.8V from battery or DC 5V from Adapter.	
HW Version	V1.1	
SW Version	LOGIC_L63A_GENERIC	

2.1.1 DESCRIPTION OF TEST MODES

To investigate the maximum EMI emission characteristics generates from EUT, the test system was pre-scanning tested base on the consideration of following EUT operation mode or test configuration mode which possible have effect on EMI emission level. Each of these EUT operation mode(s) or test configuration mode(s) mentioned above was evaluated respectively.

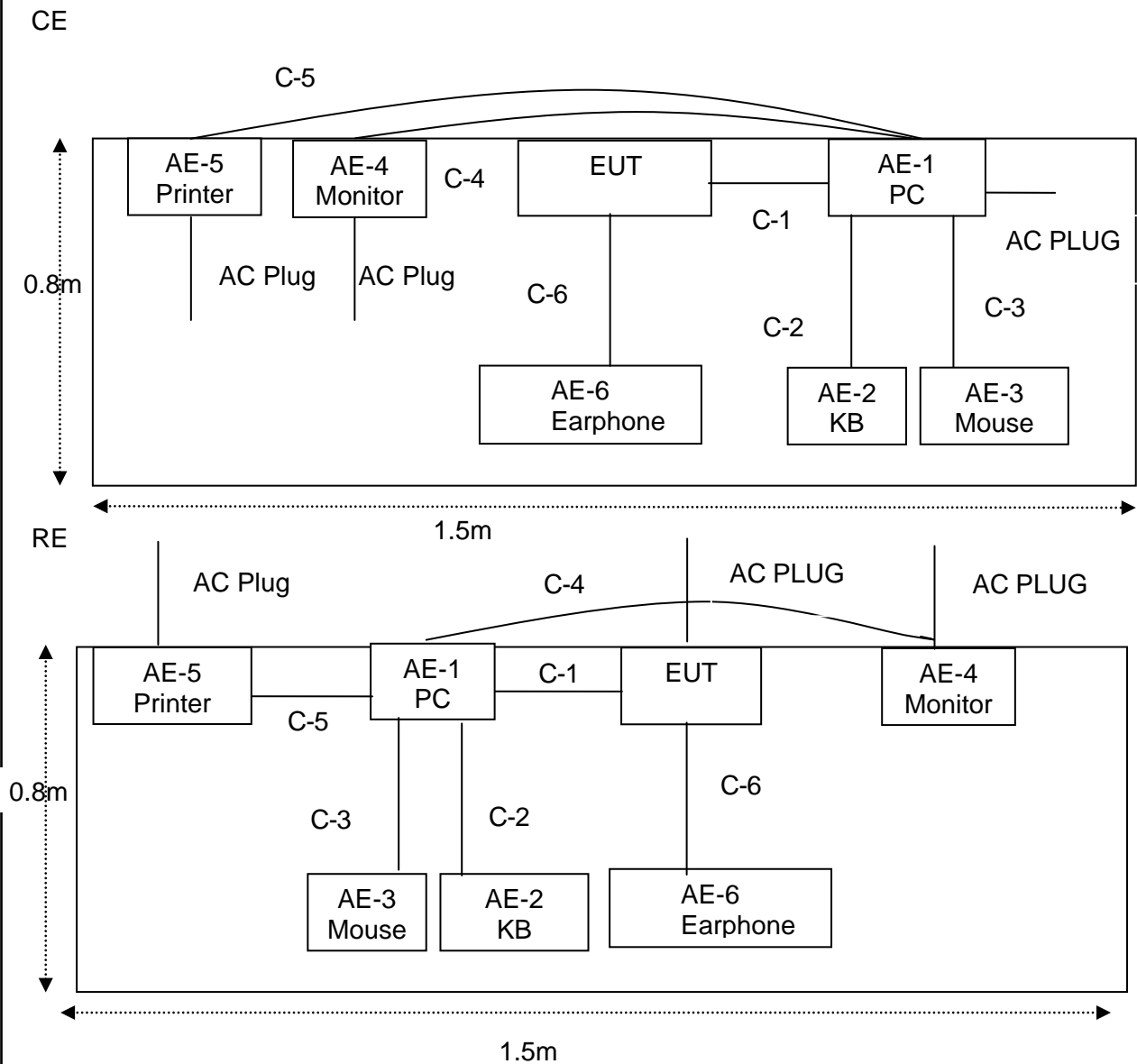
Pretest Mode	Description
Mode 1	USB Data Transmission(32GB / 64GB/ 128GB)
Mode 2	TF card Playing
Mode 3	REC
Mode 4	FM
Mode 5	GPS

For Conducted Test	
Final Test Mode	Description
Mode 1	USB Data Transmission(32GB / 64GB/ 128GB)
Mode 2	TF card Playing
Mode 3	REC
Mode 4	FM
Mode 5	GPS

For Radiated Test	
Final Test Mode	Description
Mode 1	USB Data Transmission(32GB / 64GB/ 128GB)
Mode 2	TF card Playing
Mode 3	REC
Mode 4	FM
Mode 5	GPS

Note: Final Test Mode: Through Pre-scan, find the mode 1 is the worst case.
Only the worst case mode is recorded in the report.

2.2 DESCRIPTION OF TEST SETUP



2.3 DESCRIPTION TEST PERIPHERAL AND EUT PERIPHERAL

The EUT has been tested as an independent unit together with other necessary accessories or support units. The following support units or accessories were used to form a representative test configuration during the tests.

Item	Equipment	Brand	Model/Type No.	Series No.	Note
AE-1	PC	DELL	FT4Y23X	N/A	Peripherals
AE-2	KB	N/A	N/A	N/A	Peripherals
AE-3	Mouse	DELL	MS111-P	N/A	Peripherals
AE-4	Monitor	DELL	IN2020MB	N/A	Peripherals
AE-5	Printer	Canon	L11121E	N/A	Peripherals
AE-6	Earphone	N/A	N/A	N/A	Peripherals

Item	Cable Type	Shielded Type	Ferrite Core	Length	Note
C-1	USB Cable	NO	NO	1.0m	
C-2	USB Cable	NO	NO	1.2m	
C-3	USB Cable	NO	NO	1.2m	
C-4	HDMI Cable	YES	YES	1.0m	
C-5	USB Cable	NO	NO	1.2m	
C-6	Earphone Cable	NO	NO	1.5m	

Note:

- (1) The support equipment was authorized by Declaration of Confirmation.
- (2) For detachable type I/O cable should be specified the length in cm in 『Length』 column.
- (3) “YES” means “shielded” “with core”; “NO” means “unshielded” “without core”.

2.4 MEASUREMENT INSTRUMENTS LIST

Radiation Test equipment

Item	Kind of Equipment	Manufacturer	Type No.	Serial No.	Last calibration	Calibrated until	Calibration period
1	Spectrum Analyzer	Agilent	E4407B	MY45108040	2021.04.27	2022.04.26	1 year
2	Test Receiver	R&S	ESPI	101318	2021.04.27	2022.04.26	1 year
3	Bilog Antenna	TESEQ	CBL6111D	31216	2021.03.29	2022.03.28	1 year
4	50Ω Coaxial Switch	Anritsu	MP59B	6200264416	2021.04.27	2022.04.26	1 year
5	Spectrum Analyzer	ADVANTEST	R3132	150900201	2021.04.27	2022.04.26	1 year
6	Horn Antenna	EM	EM-AH-10180	2011071402	2021.03.29	2022.03.28	1 year
7	Horn Ant	Schwarzbeck	BBHA 9170	9170-181	2021.04.27	2022.04.26	1 year
8	Amplifier	EMC	EMC051835SE	980246	2021.04.27	2022.04.26	1 year
9	Loop Antenna	ARA	PLA-1030/B	1029	2021.04.27	2022.04.26	1 year
10	Power Meter	DARE	RPR3006W	15I00041S NO84	2021.04.27	2022.04.26	1 year
11	Power Sensor	R&S	URV4-Z4	0395.1619.05	2021.04.27	2022.04.26	1 year
12	Test Cable (30MHz-1GHz)	N/A	R-02	N/A	2019.06.28	2022.06.27	3 year
13	High Test Cable(1G-40GHz)	N/A	R-03	N/A	2019.06.28	2022.06.27	3 year
14	High Test Cable(1G-40GHz)	N/A	R-04	N/A	2019.06.28	2022.06.27	3 year
15	Test Receiver	R&S	ESCI	101160	2021.04.27	2022.04.26	1 year

AC Conduction Test equipment

Item	Kind of Equipment	Manufacturer	Type No.	Serial No.	Last calibration	Calibrated until	Calibration period
1	Test Receiver	R&S	ESCI	101160	2021.04.27	2022.04.26	1 year
2	LISN	R&S	ENV216	101313	2021.04.27	2022.04.26	1 year
3	LISN	SCHWARZBECK	NNLK 8129	8129245	2021.04.27	2022.04.26	1 year
4	50Ω Coaxial Switch	ANRITSU CORP	MP59B	6200983704	2020.05.11	2023.05.10	3 year
5	Test Cable (9KHz-30MHz)	N/A	C01	N/A	2020.05.11	2023.05.10	3 year
6	Test Cable (9KHz-30MHz)	N/A	C02	N/A	2020.05.11	2023.05.10	3 year
7	Test Cable (9KHz-30MHz)	N/A	C03	N/A	2020.05.11	2023.05.10	3 year

Note: Each piece of equipment is scheduled for calibration once a year except the Test Cable which is scheduled for calibration every 3 years.

3. EMC EMISSION TEST

3.1 CONDUCTED EMISSION MEASUREMENT

3.1.1 POWER LINE CONDUCTED EMISSION (Frequency Range 150KHz-30MHz)

FREQUENCY (MHz)	Class A (dBuV)		Class B (dBuV)	
	Quasi-peak	Average	Quasi-peak	Average
0.15 -0.5	79.00	66.00	66 - 56 *	56 - 46 *
0.50 -5.0	73.00	60.00	56.00	46.00
5.0 -30.0	73.00	60.00	60.00	50.00

Note:

- (1) The tighter limit applies at the band edges.
- (2) The limit of " * " marked band means the limitation decreases linearly with the logarithm of the frequency in the range.

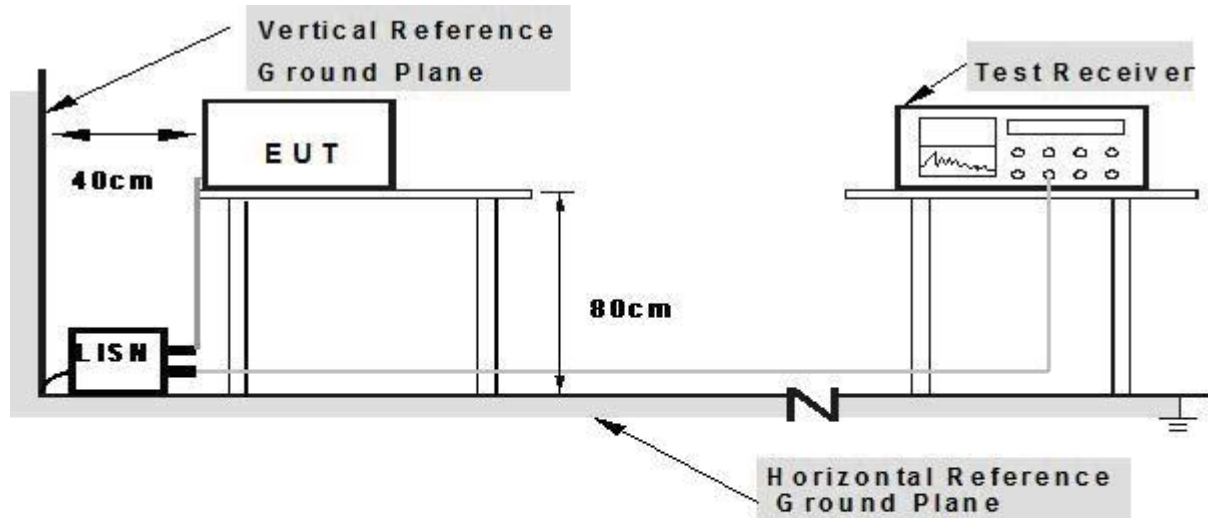
The following table is the setting of the receiver

Receiver Parameters	Setting
Attenuation	10 dB
Start Frequency	0.15 MHz
Stop Frequency	30 MHz
IF Bandwidth	9 kHz

3.1.2 TEST PROCEDURE

- a. The EUT was placed 0.8 meters from the horizontal ground plane with EUT being connected to the power mains through a line impedance stabilization network (LISN). All other support equipments powered from additional LISN(s). The LISN provide 50 Ohm/ 50uH of coupling impedance for the measuring instrument.
- b. Interconnecting cables that hang closer than 40 cm to the ground plane shall be folded back and forth in the center forming a bundle 30 to 40 cm long.
- c. I/O cables that are not connected to a peripheral shall be bundled in the center. The end of the cable may be terminated, if required, using the correct terminating impedance. The overall length shall not exceed 1 m.
- d. LISN at least 80 cm from nearest part of EUT chassis.
- e. For the actual test configuration, please refer to the related Item –EUT Test Photos.

3.1.3 TEST SETUP



- Note: 1. Support units were connected to second LISN.**
2. Both of LISNs (AMN) are 80 cm from EUT and at least 80 from other units and other metal planes

3.1.4 EUT OPERATING CONDITIONS

The EUT tested system was configured as the statements of 2.3 Unless otherwise a special operating condition is specified in the follows during the testing.

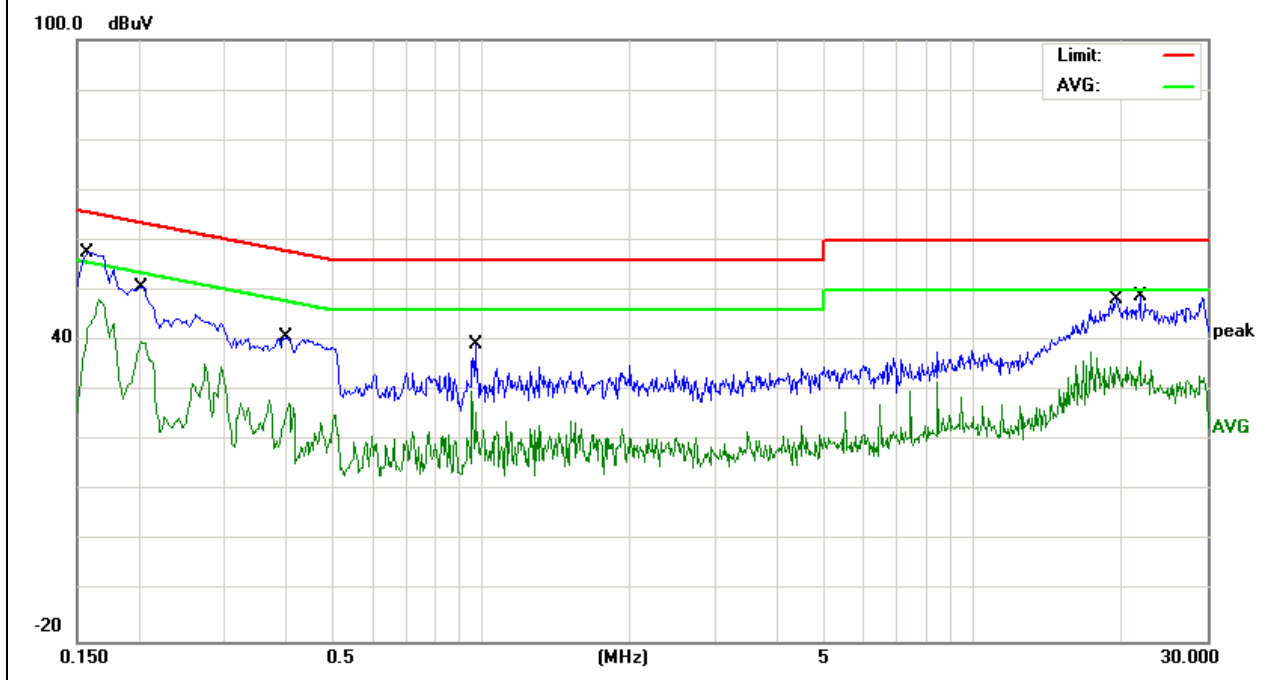
3.1.5 TEST RESULTS

EUT:	6.3 inch 4G Smart Phone	Model Name. :	L63
Temperature:	24.5 °C	Relative Humidity:	52%
Pressure:	1010hPa	Test Date:	2021-11-26
Test Mode:	Mode 1(32GB)	Phase :	L
Test Voltage:	DC 5V from PC AC 120V/60Hz		

Frequency (MHz)	Reading Level (dBμV)	Correct Factor (dB)	Measurement (dBμV)	Limits (dBμV)	Margin (dB)	Remark
0.1580	47.97	9.71	57.68	65.56	-7.88	QP
0.1580	38.47	9.71	48.18	55.56	-7.38	AVG
0.2020	41.09	9.63	50.72	63.52	-12.80	QP
0.2020	30.59	9.63	40.22	53.52	-13.30	AVG
0.3980	31.04	9.64	40.68	57.89	-17.21	QP
0.3980	20.61	9.64	30.25	47.89	-17.64	AVG
0.9700	29.52	9.75	39.27	56.00	-16.73	QP
0.9700	20.11	9.75	29.86	46.00	-16.14	AVG
19.5659	38.50	9.85	48.35	60.00	-11.65	QP
19.5659	28.20	9.85	38.05	50.00	-11.95	AVG
21.8940	39.11	9.86	48.97	60.00	-11.03	QP
21.8940	27.90	9.86	37.76	50.00	-12.24	AVG

Remark:

1. All readings are Quasi-Peak and Average values.
2. Factor = Insertion Loss + Cable Loss.

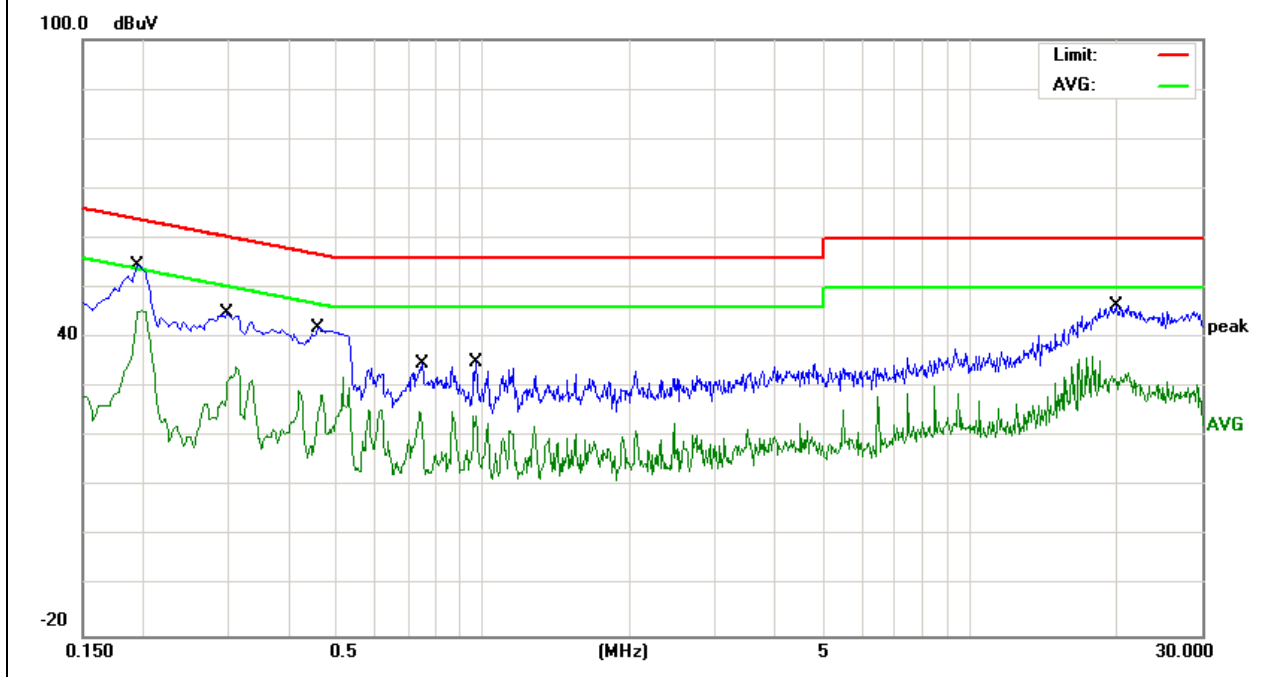


EUT:	6.3 inch 4G Smart Phone	Model Name. :	L63
Temperature:	24.5 °C	Relative Humidity:	52%
Pressure:	1010hPa	Test Date:	2021-11-26
Test Mode:	Mode 1(32GB)	Phase :	N
Test Voltage:	DC 5V from PC AC 120V/60Hz		

Frequency (MHz)	Reading Level (dBμV)	Correct Factor (dB)	Measure-ment (dBμV)	Limits (dBμV)	Margin (dB)	Remark
0.1940	44.97	9.63	54.60	63.86	-9.26	QP
0.1940	35.86	9.63	45.49	53.86	-8.37	AVG
0.2980	35.36	9.66	45.02	60.30	-15.28	QP
0.2980	25.67	9.66	35.33	50.30	-14.97	AVG
0.4580	32.34	9.73	42.07	56.73	-14.66	QP
0.4580	22.28	9.73	32.01	46.73	-14.72	AVG
0.7500	25.12	9.66	34.78	56.00	-21.22	QP
0.7500	24.36	9.66	34.02	46.00	-11.98	AVG
0.9660	25.36	9.74	35.10	56.00	-20.90	QP
0.9660	15.62	9.74	25.36	46.00	-20.64	AVG
20.0300	36.82	9.75	46.57	60.00	-13.43	QP
20.0300	26.57	9.75	36.32	50.00	-13.68	AVG

Remark:

1. All readings are Quasi-Peak and Average values.
2. Factor = Insertion Loss + Cable Loss.

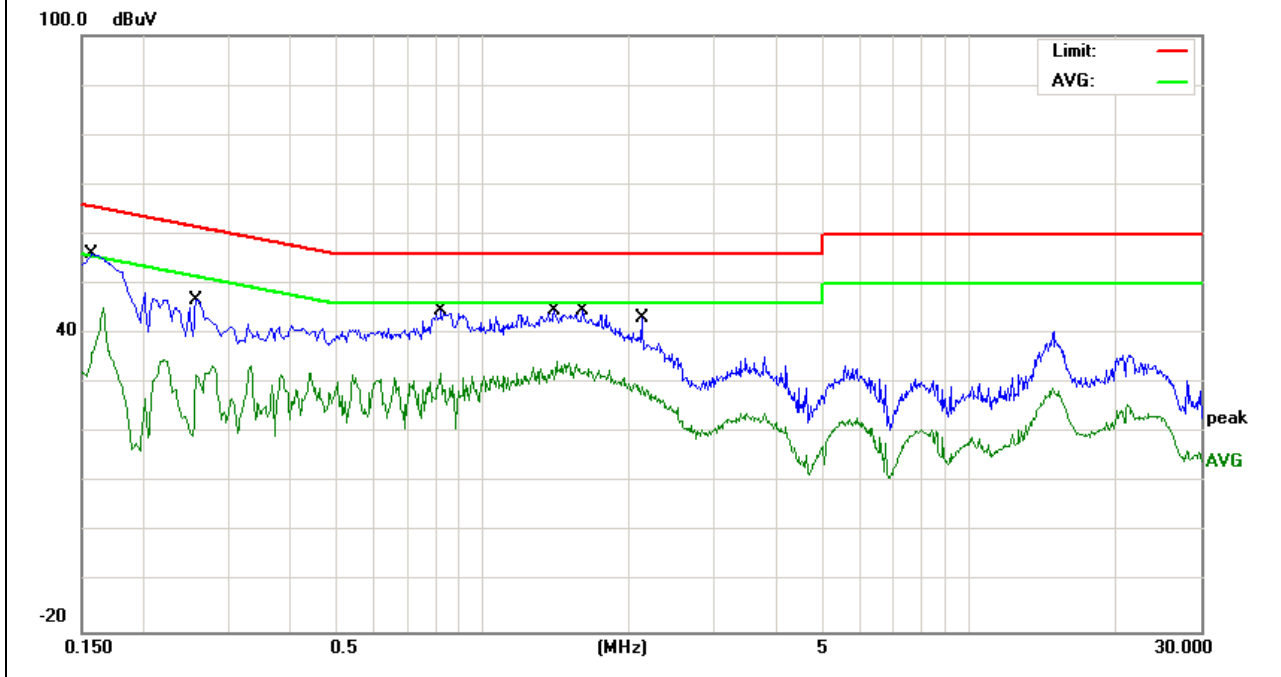


EUT:	6.3 inch 4G Smart Phone	Model Name. :	L63
Temperature:	24.5 °C	Relative Humidity:	52%
Pressure:	1010hPa	Test Date:	2021-12-15
Test Mode:	Mode 1(64GB)	Phase :	L
Test Voltage:	DC 5V from PC AC 120V/60Hz		

Frequency (MHz)	Reading Level (dBμV)	Correct Factor (dB)	Measurement (dBμV)	Limits (dBμV)	Margin (dB)	Remark
0.1580	46.26	9.71	55.97	65.56	-9.59	QP
0.1580	35.49	9.71	45.20	55.56	-10.36	AVG
0.2580	37.25	9.63	46.88	61.49	-14.61	QP
0.2580	26.62	9.63	36.25	51.49	-15.24	AVG
0.8220	34.99	9.74	44.73	56.00	-11.27	QP
0.8220	23.61	9.74	33.35	46.00	-12.65	AVG
1.4100	34.93	9.75	44.68	56.00	-11.32	QP
1.4100	25.27	9.75	35.02	46.00	-10.98	AVG
1.6060	34.98	9.76	44.74	56.00	-11.26	QP
1.6060	19.43	9.76	29.19	46.00	-16.81	AVG
2.1300	33.36	9.75	43.11	56.00	-12.89	QP
2.1300	23.94	9.75	33.69	46.00	-12.31	AVG

Remark:

1. All readings are Quasi-Peak and Average values.
2. Factor = Insertion Loss + Cable Loss.

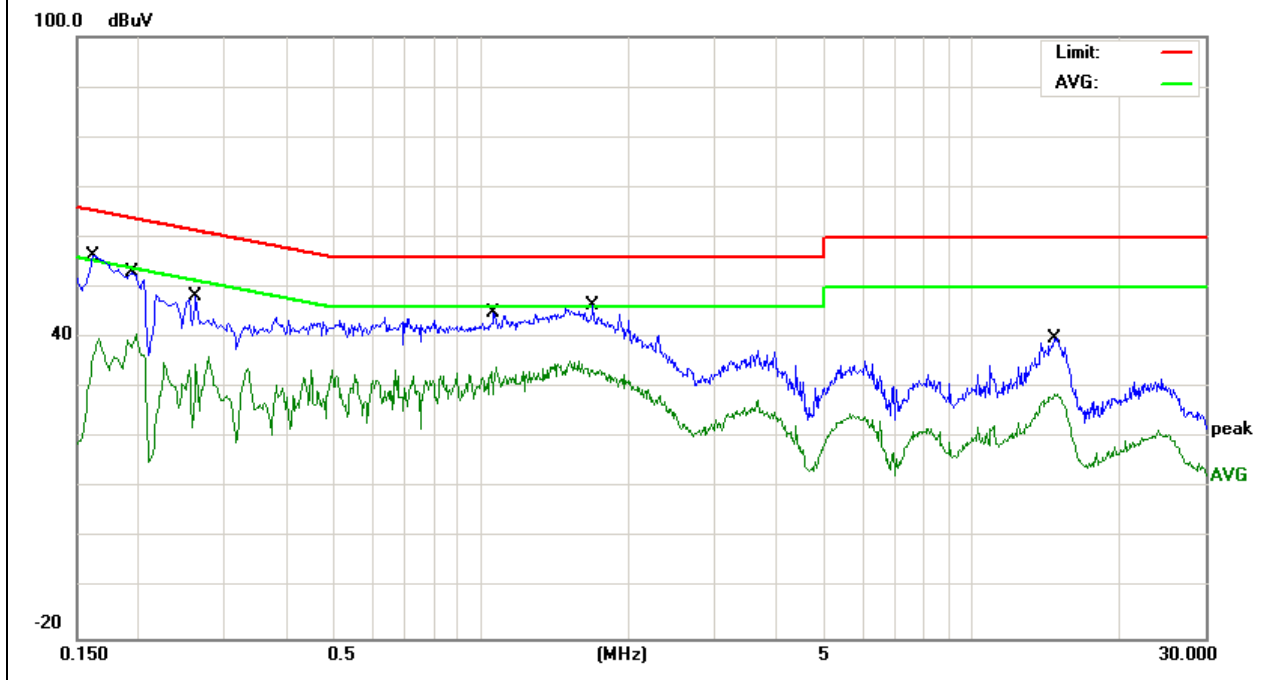


EUT:	6.3 inch 4G Smart Phone	Model Name. :	L63
Temperature:	24.5 °C	Relative Humidity:	52%
Pressure:	1010hPa	Test Date:	2021-12-15
Test Mode:	Mode 1(64GB)	Phase :	N
Test Voltage:	DC 5V from PC AC 120V/60Hz		

Frequency (MHz)	Reading Level (dBμV)	Correct Factor (dB)	Measure-ment (dBμV)	Limits (dBμV)	Margin (dB)	Remark
0.1620	46.85	9.63	56.48	65.36	-8.88	QP
0.1620	31.24	9.63	40.87	55.36	-14.49	AVG
0.1940	43.42	9.63	53.05	63.86	-10.81	QP
0.1940	33.39	9.63	43.02	53.86	-10.84	AVG
0.2620	38.50	9.65	48.15	61.36	-13.21	QP
0.2620	28.80	9.65	38.45	51.36	-12.91	AVG
1.0620	35.23	9.74	44.97	56.00	-11.03	QP
1.0620	24.91	9.74	34.65	46.00	-11.35	AVG
1.6900	36.82	9.69	46.51	56.00	-9.49	QP
1.6900	25.57	9.69	35.26	46.00	-10.74	AVG
14.8020	30.22	9.73	39.95	60.00	-20.05	QP
14.8020	18.93	9.73	28.66	50.00	-21.34	AVG

Remark:

1. All readings are Quasi-Peak and Average values.
2. Factor = Insertion Loss + Cable Loss.

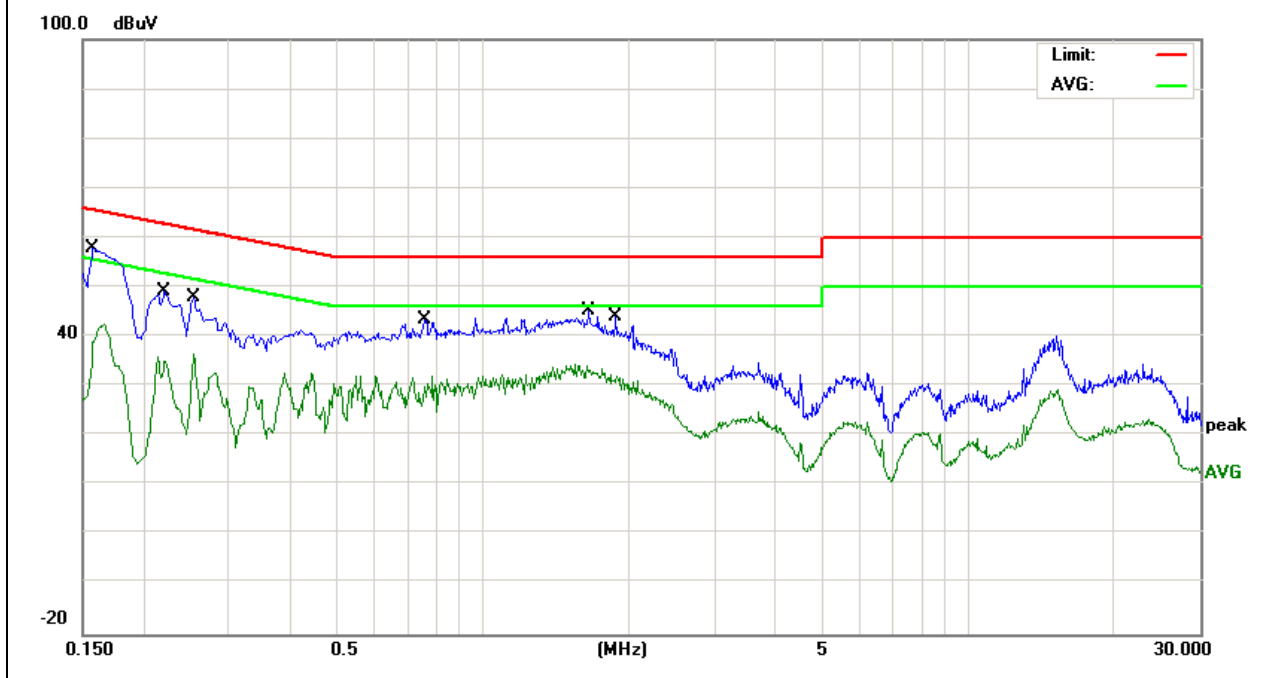


EUT:	6.3 inch 4G Smart Phone	Model Name. :	L63
Temperature:	24.5 °C	Relative Humidity:	52%
Pressure:	1010hPa	Test Date:	2021-12-15
Test Mode:	Mode 1(128GB)	Phase :	L
Test Voltage:	DC 5V from PC AC 120V/60Hz		

Frequency (MHz)	Reading Level (dBμV)	Correct Factor (dB)	Measurement (dBμV)	Limits (dBμV)	Margin (dB)	Remark
0.1580	48.18	9.71	57.89	65.56	-7.67	QP
0.1580	32.89	9.71	42.60	55.56	-12.96	AVG
0.2220	39.56	9.63	49.19	62.74	-13.55	QP
0.2220	27.06	9.63	36.69	52.74	-16.05	AVG
0.2540	38.23	9.63	47.86	61.62	-13.76	QP
0.2540	27.92	9.63	37.55	51.62	-14.07	AVG
0.7620	33.73	9.74	43.47	56.00	-12.53	QP
0.7620	23.91	9.74	33.65	46.00	-12.35	AVG
1.6620	35.40	9.76	45.16	56.00	-10.84	QP
1.6620	24.67	9.76	34.43	46.00	-11.57	AVG
1.8859	34.21	9.76	43.97	56.00	-12.03	QP
1.8859	24.82	9.76	34.58	46.00	-11.42	AVG

Remark:

1. All readings are Quasi-Peak and Average values.
2. Factor = Insertion Loss + Cable Loss.

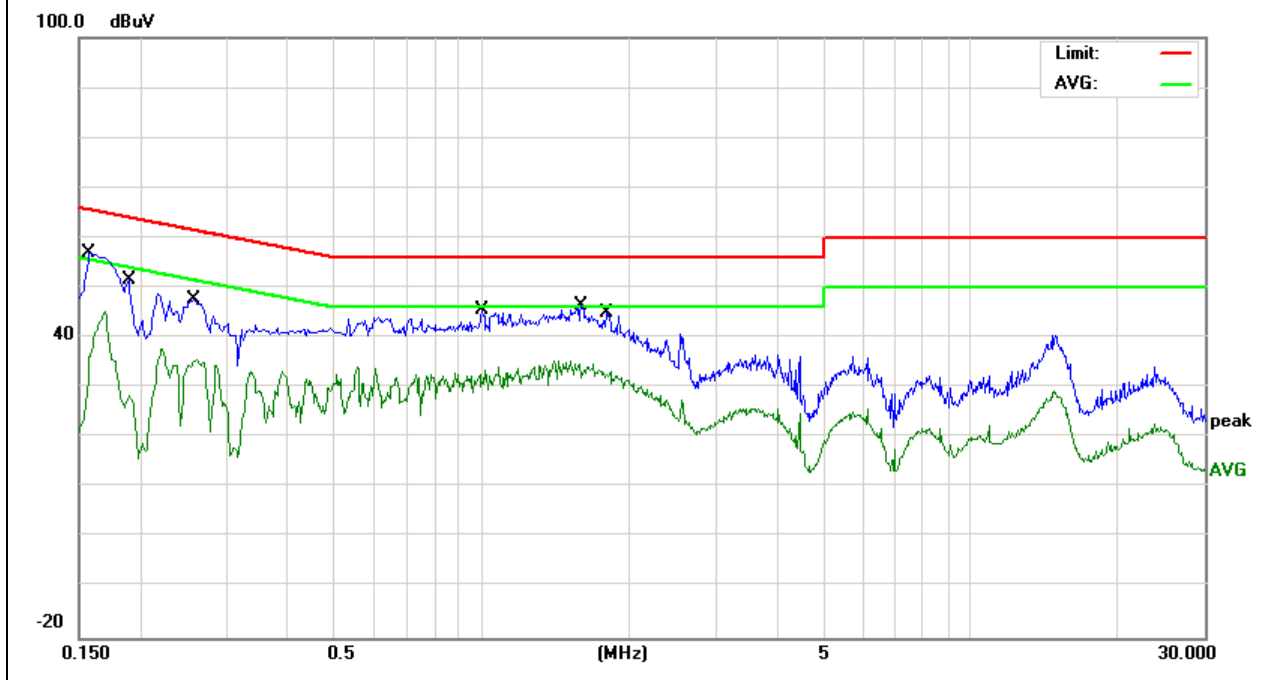


EUT:	6.3 inch 4G Smart Phone	Model Name. :	L63
Temperature:	24.5 °C	Relative Humidity:	52%
Pressure:	1010hPa	Test Date:	2021-12-15
Test Mode:	Mode 1(128GB)	Phase :	N
Test Voltage:	DC 5V from PC AC 120V/60Hz		

Frequency (MHz)	Reading Level (dBμV)	Correct Factor (dB)	Measure-ment (dBμV)	Limits (dBμV)	Margin (dB)	Remark
0.1580	47.28	9.63	56.91	65.56	-8.65	QP
0.1580	35.55	9.63	45.18	55.56	-10.38	AVG
0.1900	41.92	9.63	51.55	64.03	-12.48	QP
0.1900	25.81	9.63	35.44	54.03	-18.59	AVG
0.2580	37.88	9.65	47.53	61.49	-13.96	QP
0.2580	27.93	9.65	37.58	51.49	-13.91	AVG
1.0020	35.83	9.75	45.58	56.00	-10.42	QP
1.0020	25.90	9.75	35.65	46.00	-10.35	AVG
1.5980	36.67	9.70	46.37	56.00	-9.63	QP
1.5980	19.51	9.70	29.21	46.00	-16.79	AVG
1.7980	35.32	9.68	45.00	56.00	-11.00	QP
1.7980	25.79	9.68	35.47	46.00	-10.53	AVG

Remark:

1. All readings are Quasi-Peak and Average values.
2. Factor = Insertion Loss + Cable Loss.



3.2 RADIATED EMISSION MEASUREMENT

3.2.1 LIMITS OF RADIATED EMISSION MEASUREMENT

FREQUENCY (MHz)	Class A (at 10m)	Class B (at 3m)
	dBuV/m	dBuV/m
30 ~ 88	39.0	40.0
88 ~ 216	43.5	43.5
216 ~ 960	46.5	46.0
Above 960	49.5	54.0

Notes:

- (1) The limit for radiated test was performed according to as following:
FCC PART 15B /ICES-003.
- (2) The tighter limit applies at the band edges.
- (3) Emission level (dBuV/m)=20log Emission level (uV/m).

3.2.2 TEST PROCEDURE

Test Arrangement for Radiated Emissions up to 1 GHz

- a. The EUT was placed on the top of a rotating table 0.8 meters above the ground at an accredited test facility. The table was rotated 360 degrees to determine the position of the highest radiation.
- b. The EUT was set 3 meters away from the interference-receiving antenna, which was mounted on the top of a variable-height antenna tower.
- c. The antenna is a broadband antenna, and its height is varied from one meter to four meters above the ground to determine the maximum value of the field strength. Both horizontal and vertical polarizations of the antenna are set to make the measurement.
- d. For each suspected emission, the EUT was arranged to its worst case and then the antenna was tuned to heights from 1 meter to 4 meters and the rotatable table was turned from 0 degrees to 360 degrees to find the maximum reading.

Note: The resolution bandwidth and video bandwidth of test receiver/spectrum analyzer is 120kHz for quasi-peak detection (QP) at frequency below 1GHz.

Test Arrangement for Radiated Emissions above 1 GHz.

- a. The EUT was placed on the top of a rotating table 0.8 meters above the ground at an accredited chamber room. The table was rotated 360 degrees to determine the position of the highest radiation.
- b. The EUT was set 3 meters away from the interference-receiving antenna, which was mounted on the top of a variable-height antenna tower.
- c. The height of antenna can be varied from one meter to four meters, the height of adjustment depends on the EUT height and the antenna 3dB beamwidth both, to detect the maximum value of the field strength. Both horizontal and vertical polarizations of the antenna are set to make the measurement.
- d. For each suspected emission, the EUT was arranged to its worst case and then the antenna was tuned to heights and the rotatable table was turned from 0 degrees to 360 degrees to find the maximum reading.

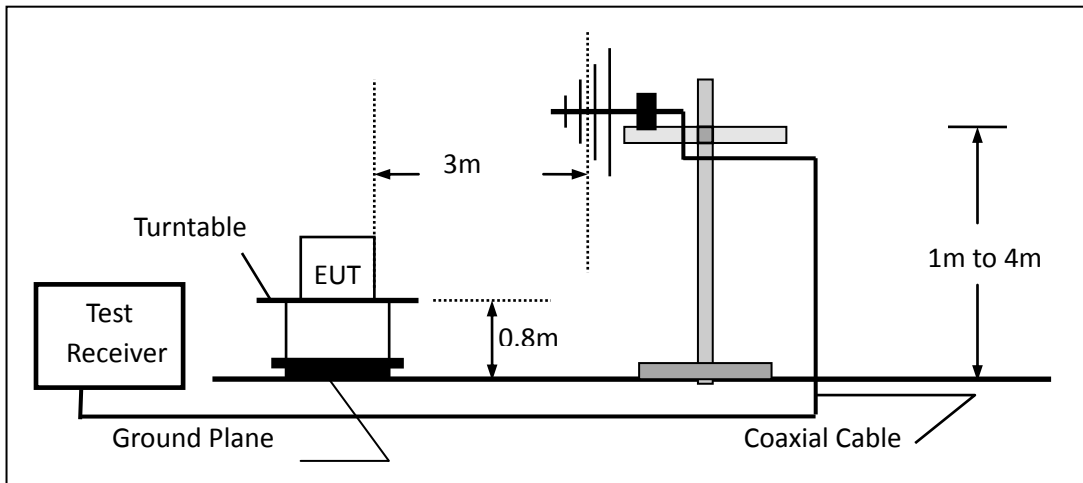
Note: For the hand-held device, the EUT should be measured for all 3 axes and only the worst case is recorded in the report

During the radiated emission test, according to ANSI C63.4-2014(4.2), the Spectrum Analyzer was set with the following configurations:

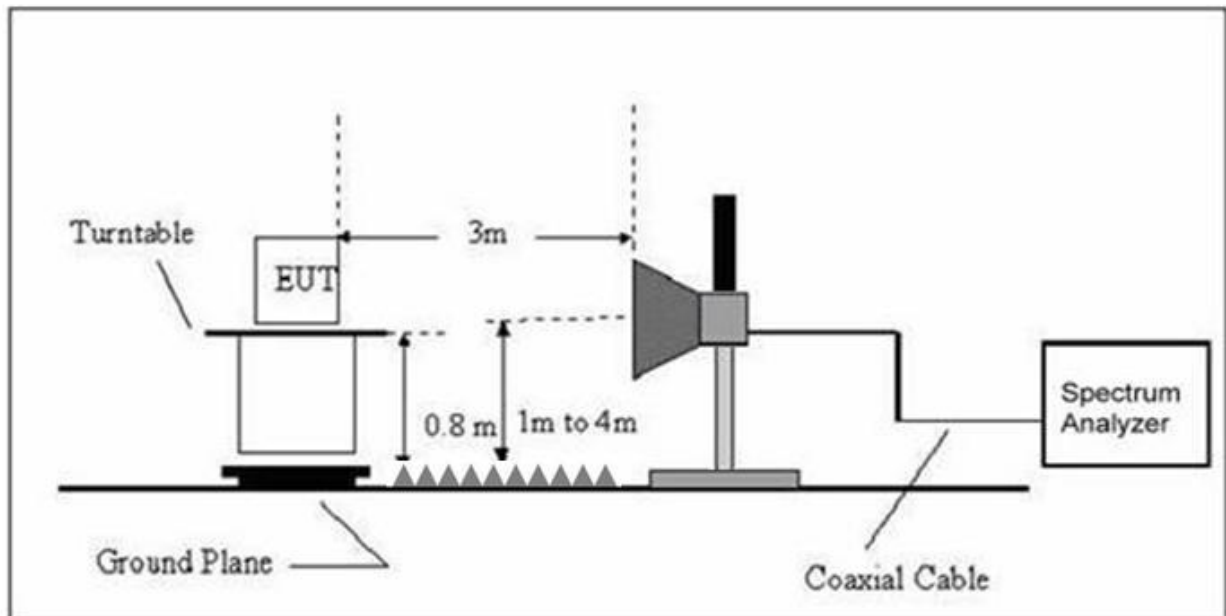
Frequency Band (MHz)	Function	Resolution bandwidth	Video Bandwidth
30 to 1000	QP	120 kHz	300 kHz
Above 1000	Peak	1 MHz	3 MHz
	Avg	1 MHz	10 Hz

3.2.3 TEST SETUP

For Radiated Emission 30~1000MHz



(B) Radiated Emission Test Set-Up Frequency Above 1GHz



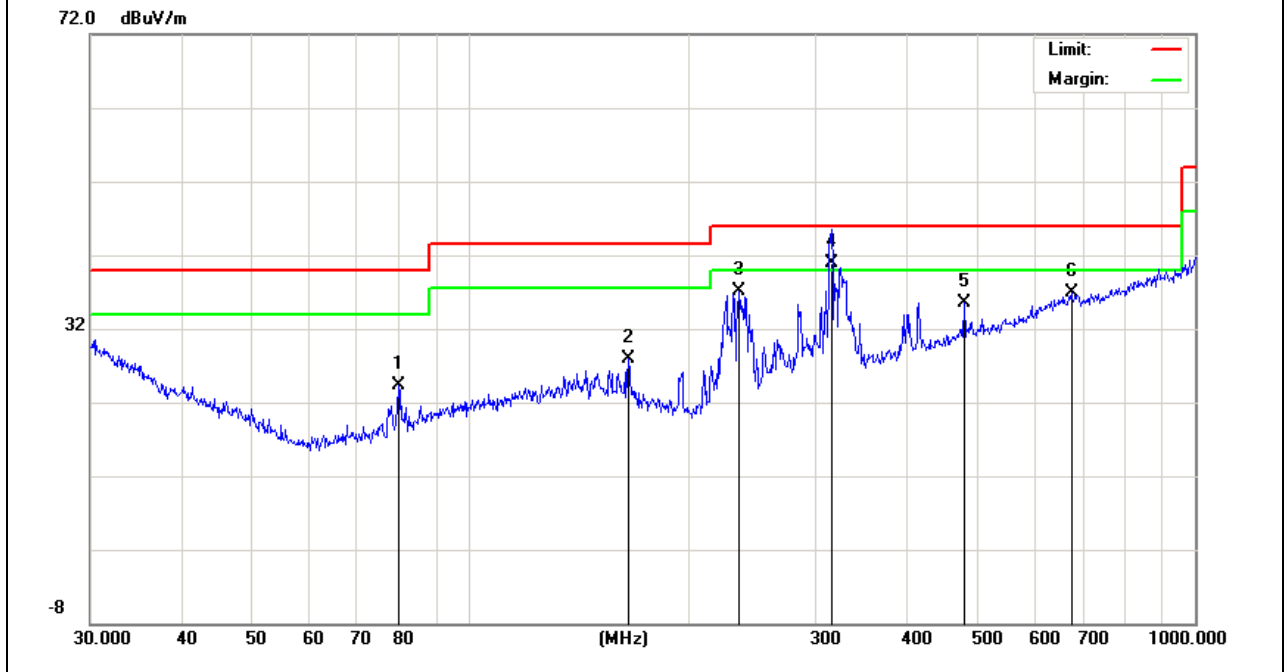
3.2.4 TEST RESULTS

TEST RESULTS (30~1000 MHz)

EUT:	6.3 inch 4G Smart Phone	Model Name:	L63
Temperature:	24.5 °C	Relative Humidity:	55%
Pressure:	1010 hPa	Test Date :	2021-11-30
Test Mode :	Mode 1(32GB)	Polarization :	Horizontal
Test Power :	DC 5V from PC AC 120V/60Hz		

Polar (H/V)	Frequency	Meter Reading	Factor	Emission Level	Limits	Margin	Remark
	(MHz)	(dBuV)	(dB)	(dBuV/m)	(dBuV/m)	(dB)	
H	79.8003	10.50	13.80	24.30	40.00	-15.70	QP
H	165.4866	10.61	17.29	27.90	43.50	-15.60	QP
H	234.9909	19.11	17.90	37.01	46.00	-8.99	QP
H	315.4808	19.97	21.03	41.00	46.00	-5.00	QP
H	480.5276	9.85	25.69	35.54	46.00	-10.46	QP
H	675.2080	7.35	29.53	36.88	46.00	-9.12	QP

Remark:
Factor = Antenna Factor + Cable Loss - Amplifier.

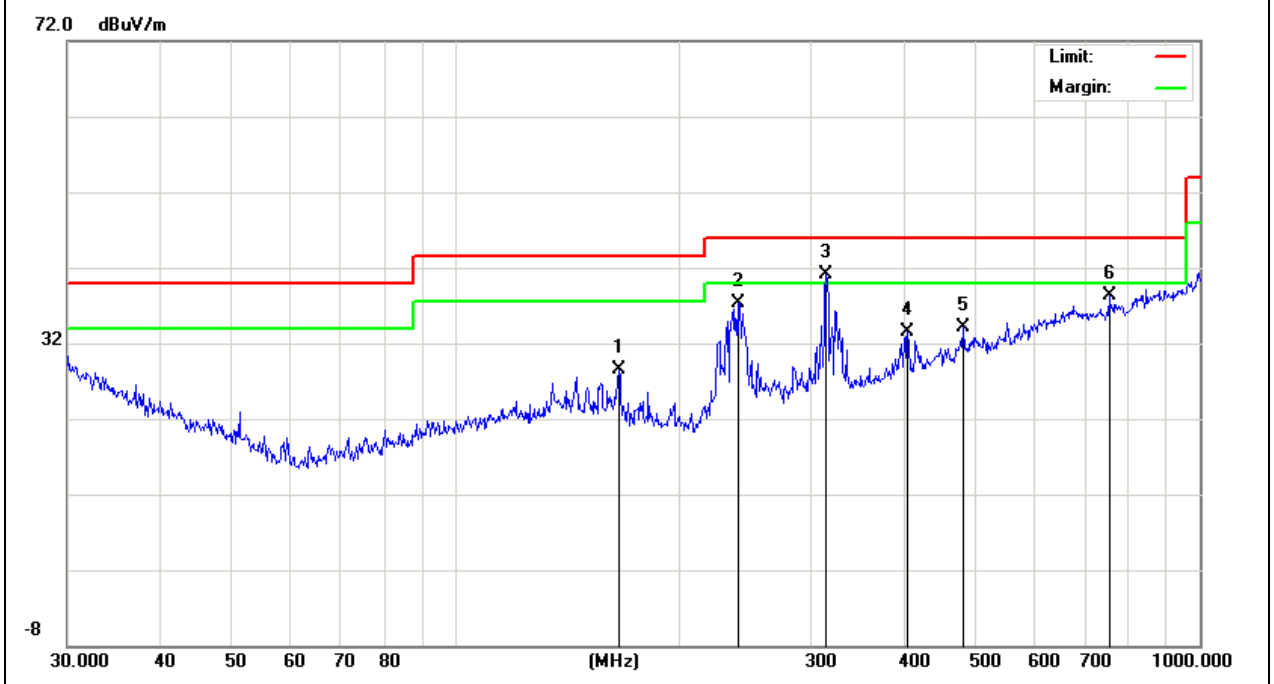


EUT:	6.3 inch 4G Smart Phone	Model Name :	L63
Temperature:	24.5 °C	Relative Humidity:	55%
Pressure:	1010 hPa	Test Date :	2021-11-30
Test Mode :	Mode 1(32GB)	Polarization :	Vertical
Test Power :	DC 5V from PC AC 120V/60Hz		

Polar (H/V)	Frequency	Meter Reading	Factor	Emission Level	Limits	Margin	Remark
	(MHz)	(dBuV)	(dB)	(dBuV/m)	(dBuV/m)	(dB)	
V	165.4866	11.13	17.29	28.42	43.50	-15.08	QP
V	239.1473	19.25	18.15	37.40	46.00	-8.60	QP
V	314.3765	20.26	20.94	41.20	46.00	-4.80	QP
V	404.6664	9.84	23.65	33.49	46.00	-12.51	QP
V	480.5276	8.36	25.69	34.05	46.00	-11.95	QP
V	755.3873	8.03	30.23	38.26	46.00	-7.74	QP

Remark:

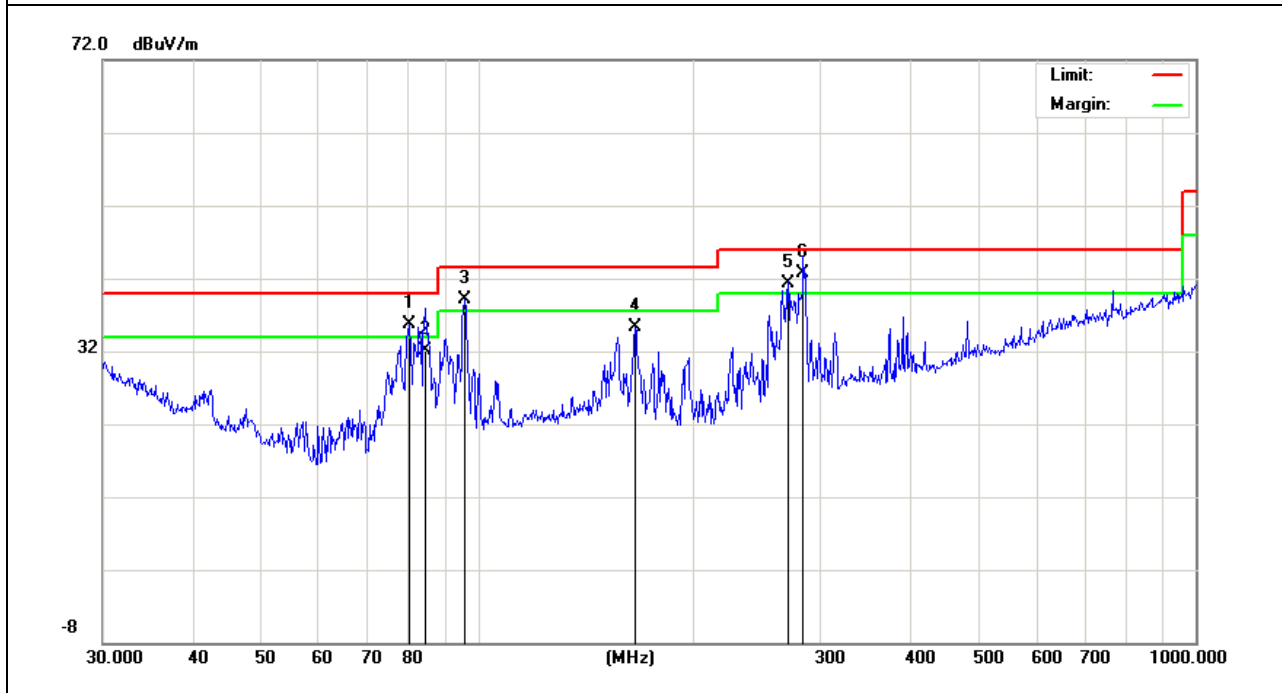
Factor = Antenna Factor + Cable Loss - Amplifier.



EUT:	6.3 inch 4G Smart Phone	Model Name:	L63
Temperature:	24.5 °C	Relative Humidity:	55%
Pressure:	1010 hPa	Test Date :	2021-12-15
Test Mode :	Mode 1(64GB)	Polarization :	Horizontal
Test Power :	DC 5V from PC AC 120V/60Hz		

Polar (H/V)	Frequency	Meter Reading	Factor	Emission Level	Limits	Margin	Remark
	(MHz)	(dBuV)	(dB)	(dBuV/m)	(dBuV/m)	(dB)	
H	80.3619	21.77	13.91	35.68	40.00	-4.32	QP
H	84.4054	17.53	14.57	32.10	40.00	-7.90	QP
H	95.7622	22.85	16.26	39.11	43.50	-4.39	QP
H	165.4866	17.92	17.29	35.21	43.50	-8.29	QP
H	270.3747	20.62	20.78	41.40	46.00	-4.60	QP
H	283.9791	22.82	19.98	42.80	46.00	-3.20	QP

Remark:
Factor = Antenna Factor + Cable Loss - Amplifier.

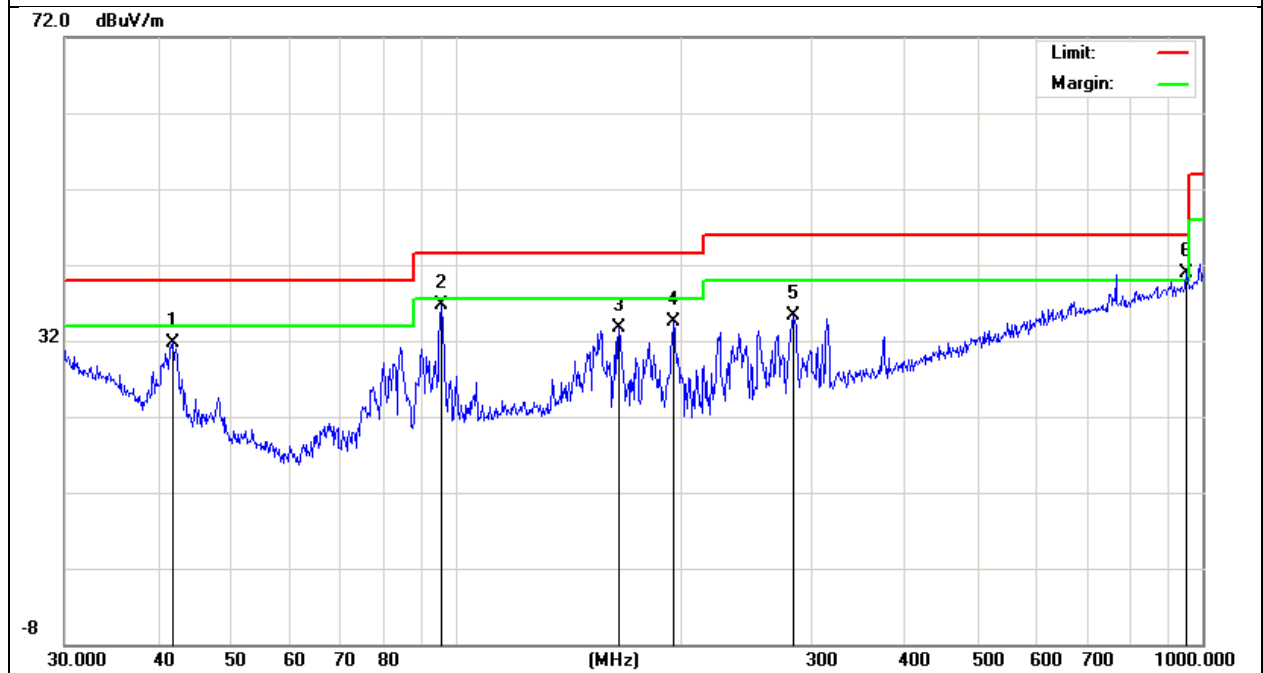


EUT:	6.3 inch 4G Smart Phone	Model Name :	L63
Temperature:	24.5 °C	Relative Humidity:	55%
Pressure:	1010 hPa	Test Date :	2021-12-15
Test Mode :	Mode 1(64GB)	Polarization :	Vertical
Test Power :	DC 5V from PC AC 120V/60Hz		

Polar (H/V)	Frequency	Meter Reading	Factor	Emission Level	Limits	Margin	Remark
	(MHz)	(dBuV)	(dB)	(dBuV/m)	(dBuV/m)	(dB)	
V	41.8596	13.98	17.82	31.80	40.00	-8.20	QP
V	95.7622	20.54	16.26	36.80	43.50	-6.70	QP
V	165.4866	16.41	17.29	33.70	43.50	-9.80	QP
V	195.8220	18.90	15.61	34.51	43.50	-8.99	QP
V	283.9791	15.40	19.98	35.38	46.00	-10.62	QP
V	952.0937	7.88	33.08	40.96	46.00	-5.04	QP

Remark:

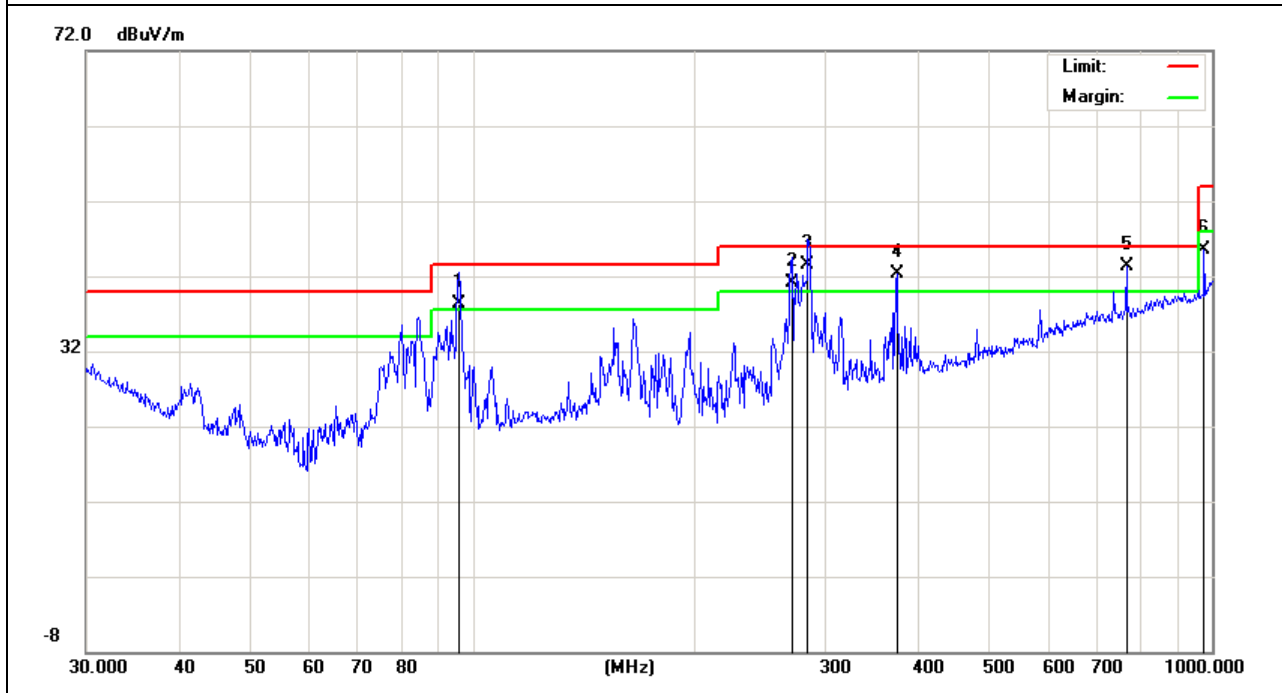
Factor = Antenna Factor + Cable Loss - Amplifier.



EUT:	6.3 inch 4G Smart Phone	Model Name:	L63
Temperature:	24.5 °C	Relative Humidity:	55%
Pressure:	1010 hPa	Test Date :	2021-12-15
Test Mode :	Mode 1(128GB)	Polarization :	Horizontal
Test Power :	DC 5V from PC AC 120V/60Hz		

Polar (H/V)	Frequency	Meter Reading	Factor	Emission Level	Limits	Margin	Remark
	(MHz)	(dBuV)	(dB)	(dBuV/m)	(dBuV/m)	(dB)	
H	95.7622	21.96	16.26	38.22	43.50	-5.28	QP
H	270.3748	20.32	20.78	41.10	46.00	-4.90	QP
H	283.9791	23.52	19.98	43.50	46.00	-2.50	QP
H	374.6225	19.33	22.99	42.32	46.00	-3.68	QP
H	766.0570	12.72	30.59	43.31	46.00	-2.69	QP
H	975.7527	11.92	33.58	45.50	54.00	-8.50	QP

Remark:
Factor = Antenna Factor + Cable Loss - Amplifier.

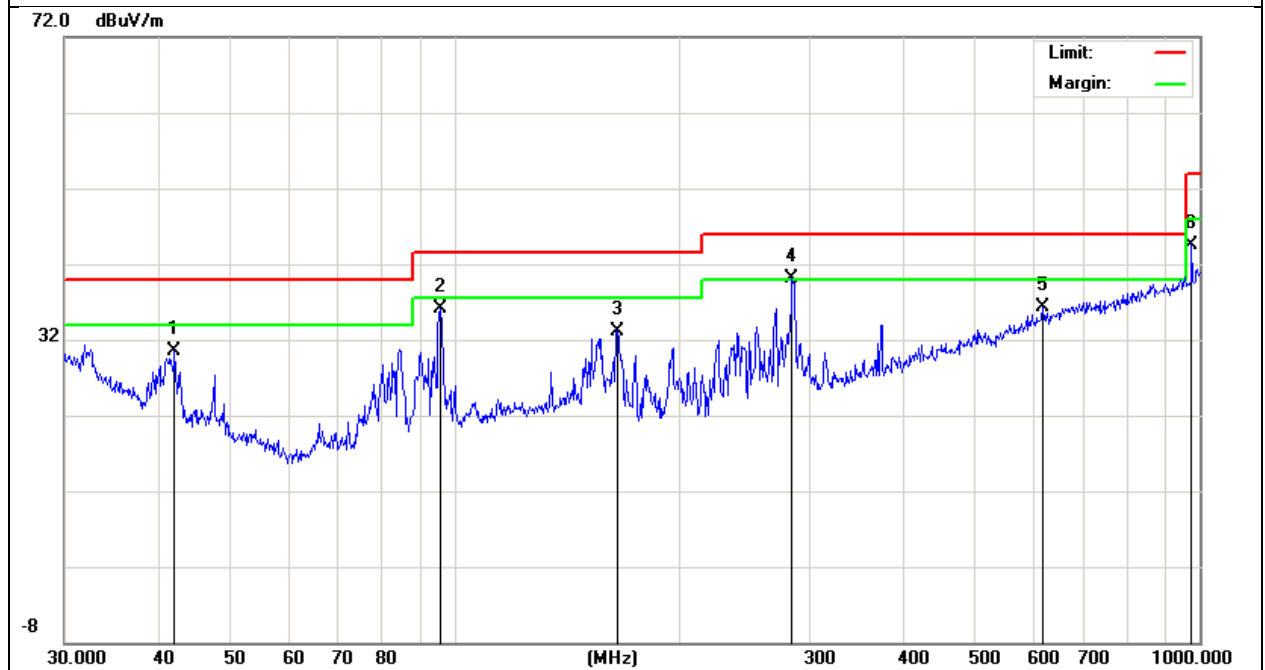


EUT:	6.3 inch 4G Smart Phone	Model Name :	L63
Temperature:	24.5 °C	Relative Humidity:	55%
Pressure:	1010 hPa	Test Date :	2021-12-15
Test Mode :	Mode 1(128GB)	Polarization :	Vertical
Test Power :	DC 5V from PC AC 120V/60Hz		

Polar (H/V)	Frequency	Meter Reading	Factor	Emission Level	Limits	Margin	Remark
	(MHz)	(dBuV)	(dB)	(dBuV/m)	(dBuV/m)	(dB)	
V	42.1542	12.76	17.66	30.42	40.00	-9.58	QP
V	95.7622	19.78	16.26	36.04	43.50	-7.46	QP
V	165.4866	15.87	17.29	33.16	43.50	-10.34	QP
V	283.9791	20.21	19.98	40.19	46.00	-5.81	QP
V	616.3718	7.93	28.45	36.38	46.00	-9.62	QP
V	975.7529	11.02	33.58	44.60	54.00	-9.40	QP

Remark:

Factor = Antenna Factor + Cable Loss - Amplifier.



3.2.5 TEST RESULTS(1000~18000MHz)

EUT:	6.3 inch 4G Smart Phone	Model Name :	L63
Temperature:	24.5 °C	Relative Humidity:	55%
Pressure:	1010 hPa	Test Date :	2021-11-30
Test Mode :	Mode 1(32GB)		
Test Power :	DC 5V from PC AC 120V/60Hz		

All the modulation modes have been tested, and the worst result was report as below:

Polar (H/V)	Frequency	Reading	Correct	Result	Limit	Over Limit	Remark
	(MHz)	(dBuV/m)	dB/m	(dBuV/m)	(dBuV/m)	(dB)	
V	1085.000	44.52	-0.56	43.96	74.00	-30.04	peak
V	1085.000	35.58	-0.56	35.02	54.00	-18.98	AVG
V	1297.500	39.69	1.11	40.80	74.00	-33.20	peak
V	1297.500	29.10	1.11	30.21	54.00	-23.79	AVG
V	1595.000	39.34	2.93	42.27	74.00	-31.73	peak
V	1595.000	29.63	2.93	32.56	54.00	-21.44	AVG
V	2955.000	39.16	8.56	47.72	74.00	-26.28	peak
V	2955.000	28.59	8.56	37.15	54.00	-16.85	AVG
V	4272.500	36.71	11.49	48.20	74.00	-25.80	peak
V	4272.500	27.53	11.49	39.02	54.00	-14.98	AVG
V	5632.500	33.53	13.50	47.03	74.00	-26.97	peak
V	5632.500	23.95	13.50	37.45	54.00	-16.55	AVG
H	1595.000	40.62	2.93	43.55	74.00	-30.45	peak
H	1595.000	30.32	2.93	33.25	54.00	-20.75	AVG
H	2105.000	38.62	5.04	43.66	74.00	-30.34	peak
H	2105.000	27.98	5.04	33.02	54.00	-20.98	AVG
H	2572.500	38.49	6.61	45.10	74.00	-28.90	peak
H	2572.500	28.85	6.61	35.46	54.00	-18.54	AVG
H	2912.500	39.09	8.27	47.36	74.00	-26.64	peak
H	2912.500	28.84	8.27	37.11	54.00	-16.89	AVG
H	4230.000	36.02	11.39	47.41	74.00	-26.59	peak
H	4230.000	25.87	11.39	37.26	54.00	-16.74	AVG
H	5420.000	33.42	13.31	46.73	74.00	-27.27	peak
H	5420.000	23.38	13.31	36.69	54.00	-17.31	AVG

EUT:	6.3 inch 4G Smart Phone	Model Name :	L63
Temperature:	24.5 °C	Relative Humidity:	55%
Pressure:	1010 hPa	Test Date :	2021-12-15
Test Mode :	Mode 1(64GB)		
Test Power :	DC 5V from PC AC 120V/60Hz		

All the modulation modes have been tested, and the worst result was report as below:

Polar (H/V)	Frequency	Reading	Correct	Result	Limit	Over Limit	Remark
	(MHz)	(dBuV/m)	dB/m	(dBuV/m)	(dBuV/m)	(dB)	
V	2615.000	38.72	6.81	45.53	74.00	-28.47	peak
V	2615.000	28.41	6.81	35.22	54.00	-18.78	AVG
V	2955.000	38.90	8.56	47.46	74.00	-26.54	peak
V	2955.000	29.46	8.56	38.02	54.00	-15.98	AVG
V	3465.000	36.31	9.93	46.24	74.00	-27.76	peak
V	3465.000	26.52	9.93	36.45	54.00	-17.55	AVG
V	4187.500	36.90	11.32	48.22	74.00	-25.78	peak
V	4187.500	26.79	11.32	38.11	54.00	-15.89	AVG
V	4740.000	36.97	11.97	48.94	74.00	-25.06	peak
V	4740.000	27.28	11.97	39.25	54.00	-14.75	AVG
V	5547.500	35.01	13.49	48.50	74.00	-25.50	peak
V	5547.500	25.95	13.49	39.44	54.00	-14.56	AVG
H	2742.500	39.49	7.29	46.78	74.00	-27.22	peak
H	2742.500	29.29	7.29	36.58	54.00	-17.42	AVG
H	2955.000	39.41	8.56	47.97	74.00	-26.03	peak
H	2955.000	28.56	8.56	37.12	54.00	-16.88	AVG
H	3465.000	36.43	9.93	46.36	74.00	-27.64	peak
H	3465.000	26.43	9.93	36.36	54.00	-17.64	AVG
H	3847.500	35.95	10.86	46.81	74.00	-27.19	peak
H	3847.500	25.72	10.86	36.58	54.00	-17.42	AVG
H	4187.500	37.69	11.32	49.01	74.00	-24.99	peak
H	4187.500	28.13	11.32	39.45	54.00	-14.55	AVG
H	5037.500	34.98	12.35	47.33	74.00	-26.67	peak
H	5037.500	24.80	12.35	37.15	54.00	-16.85	AVG

EUT:	6.3 inch 4G Smart Phone	Model Name :	L63
Temperature:	24.5 °C	Relative Humidity:	55%
Pressure:	1010 hPa	Test Date :	2021-12-15
Test Mode :	Mode 1(128GB)		
Test Power :	DC 5V from PC AC 120V/60Hz		

All the modulation modes have been tested, and the worst result was report as below:

Polar (H/V)	Frequency	Reading	Correct	Result	Limit	Over Limit	Remark
	(MHz)	(dBuV/m)	dB/m	(dBuV/m)	(dBuV/m)	(dB)	
V	2317.500	39.25	5.61	44.86	74.00	-29.14	peak
V	2317.500	29.61	5.61	35.22	54.00	-18.78	AVG
V	2955.000	38.90	8.56	47.46	74.00	-26.54	peak
V	2955.000	28.09	8.56	36.65	54.00	-17.35	AVG
V	3465.000	35.81	9.93	45.74	74.00	-28.26	peak
V	3465.000	25.65	9.93	35.58	54.00	-18.42	AVG
V	4187.500	36.40	11.32	47.72	74.00	-26.28	peak
V	4187.500	25.83	11.32	37.15	54.00	-16.85	AVG
V	4740.000	36.47	11.97	48.44	74.00	-25.56	peak
V	4740.000	26.69	11.97	38.66	54.00	-15.34	AVG
V	5547.500	34.51	13.49	48.00	74.00	-26.00	peak
V	5547.500	25.96	13.49	39.45	54.00	-14.55	AVG
H	2742.500	37.99	7.29	45.28	74.00	-28.72	peak
H	2742.500	28.83	7.29	36.12	54.00	-17.88	AVG
H	2955.000	37.91	8.56	46.47	74.00	-27.53	peak
H	2955.000	27.89	8.56	36.45	54.00	-17.55	AVG
H	3465.000	34.43	9.93	44.36	74.00	-29.64	peak
H	3465.000	24.32	9.93	34.25	54.00	-19.75	AVG
H	4187.500	35.69	11.32	47.01	74.00	-26.99	peak
H	4187.500	24.93	11.32	36.25	54.00	-17.75	AVG
H	4740.000	33.91	11.97	45.88	74.00	-28.12	peak
H	4740.000	23.25	11.97	35.22	54.00	-18.78	AVG
H	5590.000	33.47	13.51	46.98	74.00	-27.02	peak
H	5590.000	22.66	13.51	36.17	54.00	-17.83	AVG

Remark:

Result = Reading + Correct, Over Limit= Result - Limit

Note: Only the worst results data points are reported in the report.

Other emissions are attenuated 20dB below the limit that does not recorded in the report.

END OF REPORT