

FCC CFR47 PART 22H, 24E, 27 CERTIFICATION TEST REPORT

FCC ID: O55503722

Product: 5 inch 4G Smart Phone

Trade Mark: LOGIC, iSWAG, UNONU

Model Number: MV01

Family Model: L50C, BRAVE, LEX

Report No.: STR220926004005E

Issue Date: Nov 02, 2022

Prepared for

SWAGTEK

10205 NW 19th Street STE101 Miami, FL 33172

Prepared by

Shenzhen NTEK Testing Technology Co., Ltd.

1/F, Building E, Fenda Science Park, Sanwei Community, Xixiang Street

Bao'an District, Shenzhen 518126 P.R. China

Tel. 400-800-6106, 0755-2320 0050, 0755-2320 0090

Website: <http://www.ntek.org.cn>

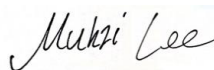
TEST RESULT CERTIFICATION	
Applicant's name	SWAGTEK
Address	10205 NW 19th Street STE101 Miami, FL 33172
Manufacturer's Name	SWAGTEK
Address	10205 NW 19th Street STE101 Miami, FL 33172
Product description	
Product name	5 inch 4G Smart Phone
Model and/or type reference ...:	MV01
Family Model	L50C, BRAVE, LEX
Test Sample Number	T220926003R002
Standards	FCC CFR 47 Part 22H, Part 24E, Part 27
Test procedure	ANSI C63.26:2015 ANSI/TIA-603-E-2016

This device described above has been tested by NTEK, and the test results show that the equipment under test (EUT) is in compliance with the FCC requirements. And it is applicable only to the tested sample identified in the report.

This report shall not be reproduced except in full, without the written approval of NTEK, this document may be altered or revised by NTEK, personal only, and shall be noted in the revision of the document.

Date of Test	
Date (s) of performance of tests	Sep 26, 2022 ~ Nov 02, 2022
Date of Issue	Nov 02, 2022
Test Result	Pass

Testing Engineer :



(Mukzi Lee)

Authorized Signatory :



(Alex Li)

TABLE OF CONTENTS

1.1 PRODUCT DESCRIPTION	5
1.2 RELATED SUBMITTAL(S) / GRANT (S)	6
1.3 TEST METHODOLOGY	6
1.4 TEST FACILITY	6
MEASUREMENT UNCERTAINTY	6
1.5 SPECIAL ACCESSORIES	6
1.6 WORST-CASE CONFIGURATION AND MODE	7
1.6 SUMMARY OF TEST RESULTS	7
2. SYSTEM TEST CONFIGURATION	9
2.1 EUT CONFIGURATION	9
2.2 EUT EXERCISE	9
2.3 CONFIGURATION OF EUT SYSTEM	9
2.4 TEST SETUP	10
3. TEST AND MEASUREMENT EQUIPMENT	11
4. OUTPUT POWER	13
4.1 OUTPUT POWER MEASUREMENT	13
6. BANDEDGE AND EMISSION MASK	16
7. OUT OF BAND EMISSIONS	17
7.1 MEASUREMENT METHOD	18
8. RADIATED MEASUREMENT	19
8.1. RADIATED POWER (ERP & EIRP)	19
8.2 LTE BAND 2	20
8.3 LTE BAND 5	23
8.4 LTE BAND 66	25
9. SPURIOUS RADIATION EMISSION	28

9.1 LTE BAND 2..... 30

9.2 LTE BAND 5..... 32

9.3 LTE BAND 66 34

10. FREQUENCY STABILITY36

10.1 LTE BAND 2 37

10.2 LTE BAND 5 39

10.3 LTE BAND 66 41

11. PEAK-TO-AVERAGE RATIO.....43

11.1 Description of the PAR Measurement..... 43

11.2 Measuring Instruments 43

11.3 Test Procedures..... 43

11.4 Test Setup..... 43

1. GENERAL INFORMATION

1.1 PRODUCT DESCRIPTION

A major technical description of EUT is described as following:

Product Designation:	5 inch 4G Smart Phone
Trade Mark	LOGIC, iSWAG, UNONU
Model Name	MV01
Family Model	L50C, BRAVE, LEX
Model Difference	All the model are the same circuit and RF module,except the model names.
FCC ID:	O55503722
Frequency Bands:	U.S. Bands: <input checked="" type="checkbox"/> LTE FDD Band 2, 5, 66
Frequency Range:	LTE FDD Band 2 Uplink: 1850MHz-1910MHz, Downlink: 1930MHz-1990MHz; LTE FDD Band 5 Uplink: 824MHz-849MHz, Downlink: 869MHz-894MHz; LTE FDD Band 66 Uplink: 1710MHz-1780MHz, Downlink: 2110MHz-2200MHz;
Type of Modulation:	QPSK/16QAM
Power Class	Class 3
SIM CARD	SIM 1 and SIM 2 is a chipset unit and tested as a single chipset. The SIM 1 is chosen for test.
Antenna:	PIFA Antenna
Antenna gain:	Band 2: 0.83 dBi; Band 5: 0.94 dBi; Band 66: 0.86 dBi
Adapter:	Model: LY-M12U050100B Input: AC 100-240V~50/60Hz 0.15A Output: DC 5.0V---1000mA
Battery:	DC 3.8V, 2200mAh, 8.36Wh
Power supply:	DC 3.8V from battery or DC 5V from adapter
Extreme Vol. Limits:	DC 3.4V to DC 4.2V (Nominal DC 3.8V) (Note 1)
HW Version	E98A_V1.0X
FW Version	E98A_E36_10M2
SW Version	LOGIC_MV01_V4.0_27102022
** Note1: The High Voltage 4.2V and Low Voltage 3.4V was declared by manufacturer, The EUT couldn't be operate normally with higher or lower voltage.	

1.2 RELATED SUBMITTAL(S) / GRANT (S)

This submittal(s) (test report) is intended for **FCC ID: O55503722** filing to comply with the FCC Part 22H&24E &27.

1.3 TEST METHODOLOGY

The tests documented in this report were performed in accordance with ANSI/TIA-603-E-2016, FCC CFR 47 Part 2, Part 22, Part 24, Part 27, ANSI C63.26:2015.

1.4 TEST FACILITY

The test site used to collect the radiated data is located at:

ShenZhen NTEK Testing Technology Co., Ltd.

1/F, Building E, Fenda Science Park, Sanwei Community, Xixiang Street, Bao'an District, Shenzhen 518126 P.R.China.

The test site is constructed and calibrated to meet the FCC requirements in documents ANSI C63.26:2015& ANSI C63.4: 2014.

FCC Registration No.:463705

IC Registration No.:9270A-1,

CNAS Registration No.:L5516

MEASUREMENT UNCERTAINTY

The reported uncertainty of measurement, where expended uncertainty U is based on a standard uncertainty multiplied by a coverage factor of k=2, providing a level of confidence of approximately 95 %.

No.	Item	Uncertainty
1	Measuring Uncertainty for a Level of Confidence of 95% ($U = 2Uc(y)$)	2.5dB
2	Conducted Emission Test	± 1.38 dB
3	RF power, conducted	± 0.16 dB
4	Spurious emissions, conducted	± 0.21 dB
5	All emissions, radiated(<1G)	± 4.68 dB
6	All emissions, radiated(>1G)	± 4.89 dB
7	Temperature	± 0.5 °C
8	Humidity	± 2 %
9	Frequency error, conducted	± 0.19 ppm

1.5 SPECIAL ACCESSORIES

The battery and the charger, earphone supplied by the applicant were used as accessories and being tested with EUT intended for FCC grant together.

1.6 WORST-CASE CONFIGURATION AND MODE

The worst-case scenario for all measurements is based on the investigation results.

The device has LTE Bands of: Band 2, Band 5, Band 66

The RB Size was selected to measure for peak or average ERP and EIRP, which was based on the conducted power verification baseline data.

For the fundamental investigation of radiated emissions, the EUT is investigated for vertical and horizontal antenna orientations and X Y and Z orientations of the EUT alone. After the investigations the worst case was determined to be at X orientation for all LTE bands.

1.6 SUMMARY OF TEST RESULTS

FCC Part22, Subpart H/ FCC Part24, Subpart E, FCC Part27, Subpart L, KDB 971168 D01 Power Meas License Digital Systems v03			
FCC Rule	Test Item	Verdict	Remark
2.1046	Conducted Output Power	PASS	
22.913(d) 24.232(d) 27.50(d)(5) KDB 971168 D01 Clause 5.7	Peak-to-Average Ratio	PASS	
2.1049 22.917(b) 24.238(b) KDB 971168 D01 Clause 4.2	Occupied Bandwidth	PASS	
2.1051 22.917(a) 24.238(a) 27.53(m), (g), (h) KDB 971168 D01 Clause 6	Band Edge	PASS	
22.913(a)(2) 27.50(c)(10) KDB 971168 D01 Clause 5.6	Effective Radiated Power	PASS	
24.232(c) 27.50(h)(2), (d)(4) KDB 971168 D01 Clause 5.6	Equivalent Isotropic Radiated Power	PASS	

2.1053 22.917(a) 24.238(a) 27.53(g)(h)(m) KDB 971168 D01 Clause 7	Field Strength of Spurious Radiation	PASS	
2.1055 22.355 24.235 27.54 KDB 971168 D01 Clause 9	Frequency Stability for Temperature & Voltage	PASS	
2.1051 22.917(a) 24.238(a) 27.53(g)(h)(m) KDB 971168 D01 Clause 6	Conducted Emission	PASS	

Remark:

1. "N/A" denotes test is not applicable in this Test Report.
2. All test items were verified and recorded according to the standards and without any deviation during the test.
3. No modifications are made to the EUT during all test items.

2. SYSTEM TEST CONFIGURATION

2.1 EUT CONFIGURATION

The EUT configuration for testing is installed on RF field strength measurement to meet the Commission's requirement and operating in a manner which intends to maximize its emission characteristics in a continuous normal application.

2.2 EUT EXERCISE

The Transmitter was operated in the maximum output power mode through Communication Tester. The TX frequency was fixed which was for the purpose of the measurements.

2.3 CONFIGURATION OF EUT SYSTEM

Table 2-1 Equipment Used in EUT System

Item	Equipment	Model No.	ID or Specification	Note
1	5 inch 4G Smart Phone	MV01	FCC ID: O55503722	EUT

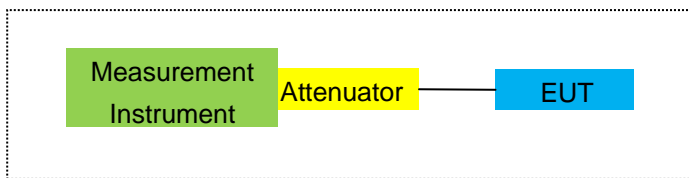
*Note: All the accessories have been used during the test.
the following "EUT" in setup diagram means EUT system.*

2.4 TEST SETUP

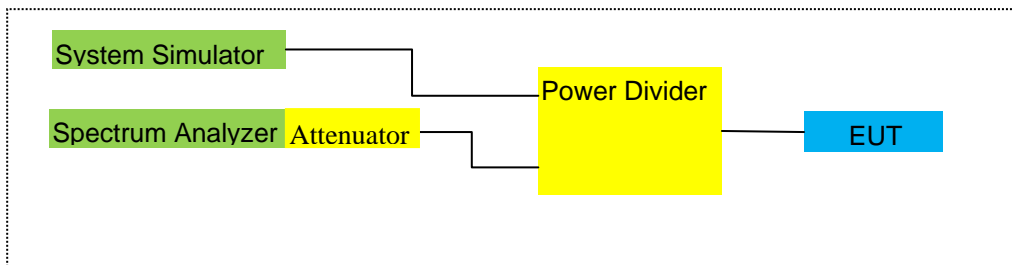
For Radiated Test Cases



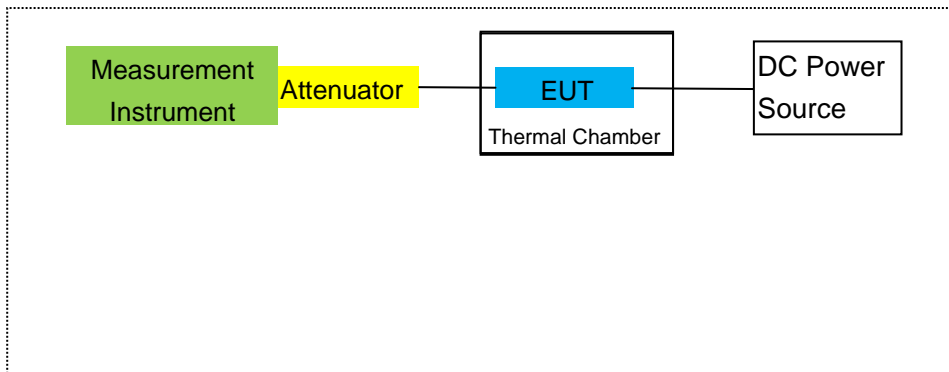
For Conducted Output Power



For Peak-to Average Ratio, Occupied Bandwidth, Conducted Band edge and Conducted Spurious Emission



For Frequency Stability



Note: EUT built-in battery-powered, the battery is fully-charged.

3. TEST AND MEASUREMENT EQUIPMENT

The following test and measurement equipment was utilized for the tests documented in this report:

Item	Kind of Equipment	Manufacturer	Type No.	Serial No.	Last calibration	Calibrated until	Calibration period
1	MXA Signal Analyzer	Agilent	N9020A	MY49100060	2022.06.16	2023.06.17	1 year
2	Test Receiver	R&S	ESPI	101318	2022.04.06	2023.04.05	1 year
3	Bilog Antenna	TESEQ	CBL6111D	31216	2022.03.30	2023.03.29	1 year
4	50Ω Coaxial Switch	Anritsu	MP59B	6200983705	2020.05.11	2023.05.10	3 year
5	Horn Antenna	EM	EM-AH-10180	2011071402	2022.03.31	2023.03.30	1 year
6	Horn Ant	Schwarzbeck	BBHA 9170	9170-181	2021.11.07	2022.11.06	1 year
7	Amplifier	EM	EM-30180	060538	2022.06.17	2023.06.16	1 year
8	Loop Antenna	ARA	PLA-1030/B	1029	2022.04.06	2023.04.05	1 year
9	Power Meter	R&S	NRVS	100696	2022.06.17	2023.06.16	1 year
10	Power Sensor	R&S	URV5-Z4	0395.1619.05	2022.04.06	2023.04.05	1 year
11	Test Cable	N/A	R-01	N/A	2022.06.17	2025.06.16	3 year
12	Test Cable	N/A	R-02	N/A	2022.06.17	2025.06.16	3 year
13	Test Cable	N/A	R-03	N/A	2022.06.17	2025.06.16	3 year
14	Test Receiver	R&S	ESCI	101160	2022.04.06	2023.04.05	1 year
15	LISN	R&S	ENV216	101313	2022.04.06	2023.04.05	1 year
16	LISN	EMCO	3816/2	00042990	2022.04.06	2023.04.05	1 year
17	50Ω Coaxial Switch	Anritsu	MP59B	6200264417	2022.04.06	2023.04.05	1 year
18	Passive Voltage Probe	R&S	ESH2-Z3	100196	2022.04.06	2023.04.05	1 year
19	Test Cable	N/A	C01	N/A	2020.05.11	2023.05.10	3 year
20	Test Cable	N/A	C02	N/A	2020.05.11	2023.05.10	3 year
21	Test Cable	N/A	C03	N/A	2020.05.11	2023.05.10	3 year
22	Attenuator	MCE	24-10-34	BN9258	2022.04.01	2023.03.31	1 year
23	Spectrum Analyzer	agilent	e4440a	us44300399	2022.04.01	2023.03.31	1 year
24	test receiver	R&S	ESCI	a0304218	2022.04.06	2023.04.05	1 year
25	Communication Tester	R&S	CMU200	A0304247	2022.06.16	2023.06.15	1 year

26	Thermal Chamber	Ten Billion	TTC-B3C	TBN-960502	2022.04.06	2023.04.05	1 year
27	DC Power Source	N/A	PS-6005D	2017040292 3	2020.05.11	2023.05.10	3 year
28	MXG Vector Signal Generator	Agilent	N5182A	MY47070317	2022.06.16	2023.06.15	1 year
29	Communication Tester	R&S	CMW500	148500	2022.06.16	2023.06.15	1 year

Note: Each piece of equipment is scheduled for calibration once a year except the Test Cable& DC Power Source which is scheduled for calibration every 3 years.

4. OUTPUT POWER

4.1 OUTPUT POWER MEASUREMENT

LTE Measurement Procedure:

All LTE bands conducted power peak and average are obtained from the CMW500 telecommunication test set. The following tests were conducted according to the test requirements outlined in section 6.2 of the 3GPP TS36.101 specification.

UE Power Class: 3 (23 +/- 2dBm). The allowed Maximum Power Reduction (MPR) for the maximum output power due to higher order modulation and transmit bandwidth configuration (resource blocks) is specified in Table 6.2.3-1 of the 3GPP TS36.101.

Table 6.2.3-1: Maximum Power Reduction (MPR) for Power Class 3

Modulation	Channel bandwidth / Transmission bandwidth (RB)						MPR (dB)
	1.4 MHz	3.0 MHz	5 MHz	10 MHz	15 MHz	20 MHz	
QPSK	> 5	> 4	> 8	> 12	> 16	> 18	≤ 1
16 QAM	≤ 5	≤ 4	≤ 8	≤ 12	≤ 16	≤ 18	≤ 1
16 QAM	> 5	> 4	> 8	> 12	> 16	> 18	≤ 2

The allowed A-MPR values specified below in Table 6.2.4.-1 of 3GPP TS36.101 are in addition to the allowed MPR requirements. All the measurements below were performed with A-MPR disabled, by using Network Signaling Value of "NS_01".3

Table 6.2.4-1: Additional Maximum Power Reduction (A-MPR)

Network Signalling value	Requirements (sub-clause)	E-UTRA Band	Channel bandwidth (MHz)	Resources Blocks (N_{RB})	A-MPR (dB)
NS_01	6.6.2.1.1	Table 5.5-1	1.4, 3, 5, 10, 15, 20	Table 5.6-1	NA
NS_03	6.6.2.2.1	2, 4, 10, 23, 25, 35, 36	3	>5	≤ 1
			5	>6	≤ 1
			10	>6	≤ 1
			15	>8	≤ 1
			20	>10	≤ 1
NS_04	6.6.2.2.2	41	5	>6	≤ 1
			10, 15, 20	See Table 6.2.4-4	
NS_05	6.6.3.3.1	1	10, 15, 20	≥ 50	≤ 1
NS_06	6.6.2.2.3	12, 13, 14, 17	1.4, 3, 5, 10	Table 5.6-1	n/a
NS_07	6.6.2.2.3	13	10	Table 6.2.4-2	Table 6.2.4-2
	6.6.3.3.2				
NS_08	6.6.3.3.3	19	10, 15	> 44	≤ 3
NS_09	6.6.3.3.4	21	10, 15	> 40	≤ 1
				> 55	≤ 2
NS_10		20	15, 20	Table 6.2.4-3	Table 6.2.4-3
NS_11	6.6.2.2.1	23 ¹	1.4, 3, 5, 10	Table 6.2.4-5	Table 6.2.4-5
..					
NS_32	-	-	-	-	-

Note 1: Applies to the lower block of Band 23, i.e. a carrier placed in the 2000-2010 MHz region.

Test data reference attachment.

5. OCCUPIED BANDWIDTH

RULE PART(S)

FCC: §2.1049

LIMITS

For reporting purposes only

TEST PROCEDURE

The transmitter output was connected to a calibrated coaxial cable and coupler, the other end of which was connected to a spectrum analyzer. The occupied bandwidth was measured with the spectrum analyzer at the low, middle and high channel in each band. The -26dB bandwidth was also measured and recorded.

MODES TESTED

LTE Band 2/5/66

RESULTS

PASS

Test data reference attachment.

6. BANDEDGE AND EMISSION MASK

RULE PART(S)

FCC: §2.1051, §22.917(a), §24.238(a), §27.53(c)(g)(h)(m)

FCC: §2.1046, §22.913, §24.232

LIMITS

The minimum permissible attenuation level of any spurious emission is $43 + \log_{10}(P[\text{Watts}])$, where P is the transmitter power in Watts.

The minimum permissible attenuation level for Band 7 is as following.

Per 27.53(g) for operations in the 698-746 MHz band, in the 100 kHz bands immediately outside and adjacent to the frequency block a resolution bandwidth of at least 30 kHz may be employed to demonstrate compliance with the out-of-band emissions limit.

Per 27.53(c.5) for operations in the 776-788 MHz band, in the 100 kHz bands immediately outside and adjacent to the frequency block a resolution bandwidth of at least 30 kHz may be employed to demonstrate compliance with the out-of-band emissions limit.

For all plots showing emissions in the 763 – 775MHz and 793 – 805MHz band, the FCC limit per 27.53(c.4) is $65 + 10\log_{10}(P) = -35\text{dBm}$ in a 6.25kHz bandwidth.

Per 27.53(m) for operations in the BRS/EBS bands, the attenuation factor shall be not less than $40 + 10 \log (P)$ dB on all frequencies between the channel edge and 5 megahertz from the channel edge, $43 + 10 \log (P)$ dB on all frequencies between 5 megahertz and X megahertz from the channel edge, and $55 + 10 \log (P)$ dB on all frequencies more than X megahertz from the channel edge, where X is the greater of 6 megahertz or the actual emission bandwidth.

TEST PROCEDURE

The transmitter output was connected to a CMW500 Test Set and configured to operate at maximum power. The band edge emissions were measured at the required operating frequencies in each band on the Spectrum Analyzer.

For each band edge measurement:

Set the spectrum analyzer span to include the block edge frequency

Set a marker to point the corresponding band edge frequency in each test case.

Set display line

Set resolution bandwidth to at least 1% of emission bandwidth.

MODES TESTED

LTE Band 2/5/66

RESULTS

Test data reference attachment.

7. OUT OF BAND EMISSIONS

RULE PART(S)

FCC: §2.1051, §22.917(a), §24.238(a), §27.53(c)(g)(h)(m)

LIMITS

The minimum permissible attenuation level of any spurious emission is $43 + \log_{10}(P[\text{Watts}])$, where P is the transmitter power in Watts.

The minimum permissible attenuation level for Band 7 is as following.

Per 27.53(g) for operations in the 698-746 MHz band, in the 100 kHz bands immediately outside and adjacent to the frequency block a resolution bandwidth of at least 30 kHz may be employed to demonstrate compliance with the out-of-band emissions limit.

Per 27.53(c.5) for operations in the 776-788 MHz band, in the 100 kHz bands immediately outside and adjacent to the frequency block a resolution bandwidth of at least 30 kHz may be employed to demonstrate compliance with the out-of-band emissions limit.

For all plots showing emissions in the 763 – 775MHz and 793 – 805MHz band, the FCC limit per 27.53(c.4) is $65 + 10\log_{10}(P) = -35\text{dBm}$ in a 6.25kHz bandwidth.

Per 27.53(m) for operations in the BRS/EBS bands, the attenuation factor shall be not less than $40 + 10 \log (P)$ dB on all frequencies between the channel edge and 5 megahertz from the channel edge, $43 + 10 \log (P)$ dB on all frequencies between 5 megahertz and X megahertz from the channel edge, and $55 + 10 \log (P)$ dB on all frequencies more than X megahertz from the channel edge, where X is the greater of 6 megahertz or the actual emission bandwidth.

TEST PROCEDURE

The RF output of the transmitter was connected to a spectrum analyzer through a calibrated coaxial cable. Sufficient scans were taken to show the out-of-band Emissions, if any, up to 10th harmonic. Multiple sweeps were recorded in maximum hold mode using a peak detector to ensure that the worst-case emissions were caught.

For each out of band emissions measurement:

Set display line

Set RBW & VBW to 100 kHz for the measurement below 1 GHz, and 1 MHz for the measurement above 1 GHz.

MODES TESTED

LTE Band 2/5/66

7.1 MEASUREMENT METHOD

The test set up and general procedure is similar to conducted peak output power test. Only different for setting the measurement configuration of the measuring instrument of Spectrum Analyzer.

Test data reference attachment.

Note: the amplitude of spurious emission that is attenuated by more than 20dB below the permissible limit has no need to be reported (LTE Band 2/4/7: above 10GHz).

8. RADIATED MEASUREMENT

8.1. RADIATED POWER (ERP & EIRP)

RULE PART(S)

FCC: §2.1046, §22.913(a)(2), §24.232(c) and §27.50 (h)(2), (b)(10), (c)(10), (d)(4)

LIMITS:

22.913(a) (2)- The ERP of mobile transmitters and auxiliary test transmitters must not exceed 7 Watts.
24.232 (c) Mobile and portable stations are limited to 2 watts EIRP.
27.50 (c) (10) the following power and antenna height requirements apply to stations transmitting in the 698–746 MHz band, the portable stations (hand-held devices) are limited to 3 watts ERP.
27.50 (b)(10) Portable stations (hand-held devices) transmitting in the 746–757 MHz, 758–763 MHz, 776–793 MHz, and 805–806 MHz bands are limited to 3 watts ERP.
27.50 (d)(4) The following power and antenna height requirements apply to stations transmitting in the 1710–1755 MHz and 2110–2155 MHz bands: Fixed, mobile, and portable (hand-held) stations operating in the 1710–1755 MHz band are limited to 1 watt EIRP.
27.50 (h)(2) Mobile and other user stations in the 2500–2570 MHz and 2620–2690 MHz bands. Mobile stations are limited to 2.0 watts EIRP. All user stations are limited to 2.0 watts transmitter output power.

TEST PROCEDURE

ANSI/TIA-603-E Clause 2.2.17

KDB 971168 v02r01 RF power output using broadband peak and average power meter method.

KDB 971168 D01 Power Meas License Digital Systems v02r01, “Measurement Guidance for Certification of Licensed Digital Transmitters”

MODES TESTED

LTE Band 2/5/66

RESULTS

Pass

8.2 LTE BAND 2

Radiated Power (EIRP) for Band 2										
Mode	RB/RB SIZE	Frequency	Result						Polarization Of Max. ERP	Conclusion
			SG Level (dBm)	Cable Loss (dBm)	Factor (dB)	Max. EIRP Average (dBm)	Max. EIRP Average (mW)			
1.4MHz Band QPSK	1/#Mid	1850.7	-5.21	3.76	28.24	19.27	84.528	Horizontal	Pass	
		1880	-5.07	3.91	28.22	19.24	83.946	Horizontal	Pass	
		1909.3	-5.05	3.93	28.20	19.22	83.560	Horizontal	Pass	
3.0MHz Band QPSK	1/#Mid	1851.5	-5.23	3.77	28.23	19.23	83.753	Horizontal	Pass	
		1880	-5.12	3.91	28.24	19.21	83.368	Horizontal	Pass	
		1908.5	-4.98	3.94	28.25	19.33	85.704	Horizontal	Pass	
5.0MHz Band QPSK	1/#Mid	1852.5	-5.25	3.77	28.31	19.29	84.918	Horizontal	Pass	
		1880	-5.12	3.91	28.22	19.19	82.985	Horizontal	Pass	
		1907.5	-5.08	3.94	28.20	19.18	82.794	Horizontal	Pass	
10.0MHz Band QPSK	1/#Mid	1855	-5.29	3.79	28.33	19.25	84.140	Horizontal	Pass	
		1880	-5.03	3.95	28.22	19.24	83.946	Horizontal	Pass	
		1905	-4.98	3.97	28.19	19.24	83.946	Horizontal	Pass	
15.0MHz Band QPSK	1/#Mid	1857.5	-5.38	3.79	28.34	19.17	82.604	Horizontal	Pass	
		1880	-5.00	3.95	28.22	19.27	84.528	Horizontal	Pass	
		1902.5	-4.92	3.97	28.18	19.29	84.918	Horizontal	Pass	
20.0MHz Band QPSK	1/#Mid	1860	-5.24	3.81	28.35	19.30	85.114	Horizontal	Pass	
		1880	-5.07	3.96	28.22	19.19	82.985	Horizontal	Pass	
		1900	-4.99	4.00	28.16	19.17	82.604	Horizontal	Pass	
1.4MHz Band QPSK	1/#Mid	1850.7	-5.29	3.76	28.24	19.19	82.985	Vertical	Pass	
		1880	-5.11	3.91	28.22	19.20	83.176	Vertical	Pass	
		1909.3	-4.97	3.93	28.20	19.30	85.114	Vertical	Pass	
3.0MHz Band QPSK	1/#Mid	1851.5	-5.22	3.77	28.23	19.24	83.946	Vertical	Pass	
		1880	-5.07	3.91	28.24	19.26	84.333	Vertical	Pass	
		1908.5	-5.12	3.94	28.25	19.19	82.985	Vertical	Pass	
5.0MHz Band QPSK	1/#Mid	1852.5	-5.27	3.77	28.31	19.27	84.528	Vertical	Pass	
		1880	-5.05	3.91	28.22	19.26	84.333	Vertical	Pass	
		1907.5	-5.11	3.94	28.20	19.15	82.224	Vertical	Pass	
10.0MHz Band QPSK	1/#Mid	1855	-5.26	3.79	28.33	19.28	84.723	Vertical	Pass	
		1880	-4.95	3.95	28.22	19.32	85.507	Vertical	Pass	
		1905	-4.93	3.97	28.19	19.29	84.918	Vertical	Pass	

15.0MHz Band QPSK	1/#Mid	1857.5	-5.33	3.79	28.34	19.22	83.560	Vertical	Pass
		1880	-5.04	3.95	28.22	19.23	83.753	Vertical	Pass
		1902.5	-4.97	3.97	28.18	19.24	83.946	Vertical	Pass
20.0MHz Band QPSK	1/#Mid	1860	-5.21	3.81	28.35	19.33	85.704	Vertical	Pass
		1880	-4.92	3.96	28.22	19.34	85.901	Vertical	Pass
		1900	-4.82	4.00	28.16	19.34	85.901	Vertical	Pass

Note:

SG Level= Signal generator output

Max. EIRP Average (dBm)= Antenna Factor (dB)+ SG Level (dBm)- Cable Loss(dBm)

Radiated Power (EIRP) for Band 2									
Mode	RB/RB SIZE	Frequency	Result					Polarization Of Max. ERP	Conclusion
			SG Level (dBm)	Cable Loss (dBm)	Factor (dB)	Max. EIRP	Max. EIRP		
						Average (dBm)	Average		
							(mW)		
1.4MHz Band 16 QAM	1/#Mid	1850.7	-8.11	3.76	28.24	16.37	43.351	Horizontal	Pass
		1880	-7.90	3.91	28.22	16.41	43.752	Horizontal	Pass
		1909.3	-7.92	3.93	28.20	16.35	43.152	Horizontal	Pass
3.0MHz Band 16 QAM	1/#Mid	1851.5	-8.13	3.77	28.23	16.33	42.954	Horizontal	Pass
		1880	-8.05	3.91	28.24	16.28	42.462	Horizontal	Pass
		1908.5	-7.90	3.94	28.25	16.41	43.752	Horizontal	Pass
5.0MHz Band 16 QAM	1/#Mid	1852.5	-8.29	3.77	28.31	16.25	42.170	Horizontal	Pass
		1880	-7.91	3.91	28.22	16.40	43.652	Horizontal	Pass
		1907.5	-7.88	3.94	28.20	16.38	43.451	Horizontal	Pass
10.0MHz Band 16 QAM	1/#Mid	1855	-8.17	3.79	28.33	16.37	43.351	Horizontal	Pass
		1880	-7.88	3.95	28.22	16.39	43.551	Horizontal	Pass
		1905	-7.92	3.97	28.19	16.30	42.658	Horizontal	Pass
15.0MHz Band 16 QAM	1/#Mid	1857.5	-8.12	3.79	28.34	16.43	43.954	Horizontal	Pass
		1880	-7.92	3.95	28.22	16.35	43.152	Horizontal	Pass
		1902.5	-7.94	3.97	28.18	16.27	42.364	Horizontal	Pass
20.0MHz Band 16 QAM	1/#Mid	1860	-8.24	3.81	28.35	16.30	42.658	Horizontal	Pass
		1880	-7.89	3.96	28.22	16.37	43.351	Horizontal	Pass
		1900	-7.89	4.00	28.16	16.27	42.364	Horizontal	Pass
1.4MHz Band 16	1/#Mid	1850.7	-8.13	3.76	28.24	16.35	43.152	Vertical	Pass
		1880	-7.97	3.91	28.22	16.34	43.053	Vertical	Pass

QAM		1909.3	-7.86	3.93	28.20	16.41	43.752	Vertical	Pass
3.0MHz	1/#Mid	1851.5	-8.06	3.77	28.23	16.40	43.652	Vertical	Pass
Band 16		1880	-7.98	3.91	28.24	16.35	43.152	Vertical	Pass
QAM		1908.5	-7.95	3.94	28.25	16.36	43.251	Vertical	Pass
5.0MHz	1/#Mid	1852.5	-8.20	3.77	28.31	16.34	43.053	Vertical	Pass
Band 16		1880	-7.93	3.91	28.22	16.38	43.451	Vertical	Pass
QAM		1907.5	-7.93	3.94	28.20	16.33	42.954	Vertical	Pass
10.0MHz	1/#Mid	1855	-8.25	3.79	28.33	16.29	42.560	Vertical	Pass
Band 16		1880	-7.86	3.95	28.22	16.41	43.752	Vertical	Pass
QAM		1905	-7.94	3.97	28.19	16.28	42.462	Vertical	Pass
15.0MHz	1/#Mid	1857.5	-8.27	3.79	28.34	16.28	42.462	Vertical	Pass
Band 16		1880	-7.97	3.95	28.22	16.30	42.658	Vertical	Pass
QAM		1902.5	-7.79	3.97	28.18	16.42	43.853	Vertical	Pass
20.0MHz	1/#Mid	1860	-8.10	3.81	28.35	16.44	44.055	Vertical	Pass
Band 16		1880	-7.81	3.96	28.22	16.45	44.157	Vertical	Pass
QAM		1900	-7.69	4.00	28.16	16.47	44.361	Vertical	Pass

Note:

SG Level= Signal generator output

Max. EIRP Average (dBm)= Antenna Factor (dB)+ SG Level (dBm)- Cable Loss(dBm)

8.3 LTE BAND 5

Radiated Power (ERP) for Band 5											
Mode	RB/RB SIZE	Frequency	Result							Polarization Of Max. ERP	Conclusion
			SG Level	Cable Loss (dBm)	Factor (dB)	Correction (dB)	Max. EIRP	Max. EIRP			
			(dBm)				Average	Average			
							(dBm)	(mW)			
1.4MHz Band QPSK	3/#Mid	824.7	6.60	2.01	19.68	2.15	22.12	162.930	Horizontal	Pass	
		836.5	6.56	2.01	19.77	2.15	22.17	164.816	Horizontal	Pass	
		848.3	6.56	2.02	19.82	2.15	22.21	166.341	Horizontal	Pass	
3.0MHz Band QPSK	1/#Mid	825.5	6.66	2.01	19.70	2.15	22.20	165.959	Horizontal	Pass	
		836.5	6.52	2.01	19.77	2.15	22.13	163.305	Horizontal	Pass	
		847.5	6.47	2.02	19.81	2.15	22.11	162.555	Horizontal	Pass	
5.0MHz Band QPSK	1/#Mid	826.5	6.64	2.01	19.71	2.15	22.19	165.577	Horizontal	Pass	
		836.5	6.60	2.01	19.77	2.15	22.21	166.341	Horizontal	Pass	
		846.5	6.62	2.02	19.79	2.15	22.24	167.494	Horizontal	Pass	
10.0MHz Band QPSK	1/#Mid	829	6.53	2.01	19.73	2.15	22.10	162.181	Horizontal	Pass	
		836.5	6.60	2.01	19.77	2.15	22.21	166.341	Horizontal	Pass	
		844	6.46	2.02	19.78	2.15	22.07	161.065	Horizontal	Pass	
1.4MHz Band QPSK	1/#Mid	824.7	6.70	2.01	19.68	2.15	22.22	166.725	Vertical	Pass	
		836.5	6.50	2.01	19.77	2.15	22.11	162.555	Vertical	Pass	
		848.3	6.47	2.02	19.82	2.15	22.12	162.930	Vertical	Pass	
3.0MHz Band QPSK	1/#Mid	825.5	6.58	2.01	19.70	2.15	22.12	162.930	Vertical	Pass	
		836.5	6.55	2.01	19.77	2.15	22.16	164.437	Vertical	Pass	
		847.5	6.46	2.02	19.81	2.15	22.10	162.181	Vertical	Pass	
5.0MHz Band QPSK	1/#Mid	826.5	6.58	2.01	19.71	2.15	22.13	163.305	Vertical	Pass	
		836.5	6.56	2.01	19.77	2.15	22.17	164.816	Vertical	Pass	
		846.5	6.57	2.02	19.79	2.15	22.19	165.577	Vertical	Pass	
10.0MHz Band QPSK	1/#Mid	829	6.68	2.01	19.73	2.15	22.25	167.880	Vertical	Pass	
		836.5	6.65	2.01	19.77	2.15	22.26	168.267	Vertical	Pass	
		844	6.66	2.02	19.78	2.15	22.27	168.655	Vertical	Pass	

Radiated Power (ERP) for Band 5											
Mode	RB/RB SIZE	Frequency	Result							Polarization Of Max. ERP	Conclusion
			SG Level	Cable Loss	Factor	Correction	Max. EIRP	Max. EIRP	Polarization Of Max. ERP		
			(dBm)	(dBm)	(dB)		Average	Average			
							(dB)	(dBm)			
1.4MHz Band 16 QAM	3/#Mid	824.7	5.97	2.01	19.68	2.15	21.49	140.929	Horizontal	Pass	
		836.5	5.83	2.01	19.77	2.15	21.44	139.316	Horizontal	Pass	
		848.3	5.81	2.02	19.82	2.15	21.46	139.959	Horizontal	Pass	
3.0MHz Band 16 QAM	1/#Mid	825.5	5.87	2.01	19.70	2.15	21.41	138.357	Horizontal	Pass	
		836.5	5.80	2.01	19.77	2.15	21.41	138.357	Horizontal	Pass	
		847.5	5.85	2.02	19.81	2.15	21.49	140.929	Horizontal	Pass	
5.0MHz Band 16 QAM	1/#Mid	826.5	5.93	2.01	19.71	2.15	21.48	140.605	Horizontal	Pass	
		836.5	5.80	2.01	19.77	2.15	21.41	138.357	Horizontal	Pass	
		846.5	5.87	2.02	19.79	2.15	21.49	140.929	Horizontal	Pass	
10.0MHz Band 16 QAM	1/#Mid	829	5.93	2.01	19.73	2.15	21.50	141.254	Horizontal	Pass	
		836.5	5.76	2.01	19.77	2.15	21.37	137.088	Horizontal	Pass	
		844	5.83	2.02	19.78	2.15	21.44	139.316	Horizontal	Pass	
1.4MHz Band 16 QAM	1/#Mid	824.7	6.01	2.01	19.68	2.15	21.53	142.233	Vertical	Pass	
		836.5	5.80	2.01	19.77	2.15	21.41	138.357	Vertical	Pass	
		848.3	5.86	2.02	19.82	2.15	21.51	141.579	Vertical	Pass	
3.0MHz Band 16 QAM	1/#Mid	825.5	5.96	2.01	19.70	2.15	21.50	141.254	Vertical	Pass	
		836.5	5.85	2.01	19.77	2.15	21.46	139.959	Vertical	Pass	
		847.5	5.86	2.02	19.81	2.15	21.50	141.254	Vertical	Pass	
5.0MHz Band 16 QAM	1/#Mid	826.5	5.82	2.01	19.71	2.15	21.37	137.088	Vertical	Pass	
		836.5	5.86	2.01	19.77	2.15	21.47	140.281	Vertical	Pass	
		846.5	5.85	2.02	19.79	2.15	21.47	140.281	Vertical	Pass	
10.0MHz Band 16 QAM	1/#Mid	829	5.99	2.01	19.73	2.15	21.56	143.219	Vertical	Pass	
		836.5	5.95	2.01	19.77	2.15	21.56	143.219	Vertical	Pass	
		844	5.96	2.02	19.78	2.15	21.57	143.549	Vertical	Pass	

Note:

ERP=EIRP-2.15

SG Level= Signal generator output

Max. EIRP Average (dBm)= Antenna Factor (dB)+ SG Level (dBm)- Cable Loss(dBm)

8.4 LTE BAND 66

Radiated Power (EIRP) for Band 66										
Mode	RB/RB SIZE	Frequency	Result						Polarization Of Max. ERP	Conclusion
			SG Level (dBm)	Cable Loss (dBm)	Factor (dB)	Max. EIRP Average (dBm)	Max. EIRP Average (mW)			
1.4MHz Band QPSK	1/#Mid	1710.7	-1.94	3.76	28.24	22.54	179.473	Horizontal	Pass	
		1745	-1.75	3.91	28.22	22.56	180.302	Horizontal	Pass	
		1779.3	-1.74	3.93	28.2	22.53	179.061	Horizontal	Pass	
3.0MHz Band QPSK	1/#Mid	1711.5	-1.81	3.77	28.23	22.65	184.077	Horizontal	Pass	
		1745	-1.81	3.91	28.24	22.52	178.649	Horizontal	Pass	
		1778.5	-1.67	3.94	28.25	22.64	183.654	Horizontal	Pass	
5.0MHz Band QPSK	1/#Mid	1712.5	-1.93	3.77	28.31	22.61	182.390	Horizontal	Pass	
		1745	-1.66	3.91	28.22	22.65	184.077	Horizontal	Pass	
		1777.5	-1.70	3.94	28.2	22.56	180.302	Horizontal	Pass	
10.0MHz Band QPSK	1/#Mid	1715	-1.97	3.79	28.33	22.57	180.717	Horizontal	Pass	
		1745	-1.71	3.95	28.22	22.56	180.302	Horizontal	Pass	
		1775	-1.66	3.97	28.19	22.56	180.302	Horizontal	Pass	
15.0MHz Band QPSK	1/#Mid	1717.5	-1.89	3.79	28.34	22.66	184.502	Horizontal	Pass	
		1745	-1.67	3.95	28.22	22.60	181.970	Horizontal	Pass	
		1772.5	-1.69	3.97	28.18	22.52	178.649	Horizontal	Pass	
20.0MHz Band QPSK	1/#Mid	1720	-2.03	3.81	28.35	22.51	178.238	Horizontal	Pass	
		1745	-1.72	3.96	28.22	22.54	179.473	Horizontal	Pass	
		1770	-1.65	4	28.16	22.51	178.238	Horizontal	Pass	
1.4MHz Band QPSK	1/#Mid	1710.7	-1.87	3.76	28.24	22.61	182.390	Vertical	Pass	
		1745	-1.72	3.91	28.22	22.59	181.552	Vertical	Pass	
		1779.3	-1.69	3.93	28.2	22.58	181.134	Vertical	Pass	
3.0MHz Band QPSK	1/#Mid	1711.5	-1.88	3.77	28.23	22.58	181.134	Vertical	Pass	
		1745	-1.69	3.91	28.24	22.64	183.654	Vertical	Pass	
		1778.5	-1.67	3.94	28.25	22.64	183.654	Vertical	Pass	
5.0MHz Band QPSK	1/#Mid	1712.5	-2.01	3.77	28.31	22.53	179.061	Vertical	Pass	
		1745	-1.74	3.91	28.22	22.57	180.717	Vertical	Pass	
		1777.5	-1.61	3.94	28.2	22.65	184.077	Vertical	Pass	
10.0MHz Band	1/#Mid	1715	-1.92	3.79	28.34	22.63	183.231	Vertical	Pass	
		1745	-1.63	3.95	28.22	22.64	183.654	Vertical	Pass	

QPSK		1775	-1.62	3.97	28.18	22.59	181.552	Vertical	Pass
15.0MHz	1/#Mid	1717.5	-1.90	3.81	28.35	22.64	183.654	Vertical	Pass
Band		1745	-1.60	3.96	28.22	22.66	184.502	Vertical	Pass
QPSK		1772.5	-1.51	4	28.16	22.65	184.077	Vertical	Pass
20.0MHz	1/#Mid	1720	-1.89	3.79	28.34	22.66	184.502	Vertical	Pass
Band		1745	-1.60	3.95	28.22	22.67	184.927	Vertical	Pass
QPSK		1770	-1.53	3.97	28.18	22.68	185.353	Vertical	Pass

Radiated Power (EIRP) for Band 66									
Mode	RB/RB SIZE	Frequency	Result					Polarization Of Max. ERP	Conclusion
			SG Level (dBm)	Cable Loss (dBm)	Factor (dB)	Max. EIRP Average (dBm)	Max. EIRP Average (mW)		
1.4MHz Band 16 QAM	1/#Mid	1710.7	-2.86	3.76	28.24	21.62	145.211	Horizontal	Pass
		1745	-2.60	3.91	28.22	21.71	148.252	Horizontal	Pass
		1779.3	-2.53	3.93	28.2	21.74	149.279	Horizontal	Pass
3.0MHz Band 16 QAM	1/#Mid	1711.5	-2.79	3.77	28.23	21.67	146.893	Horizontal	Pass
		1745	-2.62	3.91	28.24	21.71	148.252	Horizontal	Pass
		1778.5	-2.65	3.94	28.25	21.66	146.555	Horizontal	Pass
5.0MHz Band 16 QAM	1/#Mid	1712.5	-2.95	3.77	28.31	21.59	144.212	Horizontal	Pass
		1745	-2.71	3.91	28.22	21.60	144.544	Horizontal	Pass
		1777.5	-2.67	3.94	28.2	21.59	144.212	Horizontal	Pass
10.0MHz Band 16 QAM	1/#Mid	1715	-2.91	3.79	28.33	21.63	145.546	Horizontal	Pass
		1745	-2.62	3.95	28.22	21.65	146.218	Horizontal	Pass
		1775	-2.49	3.97	28.19	21.73	148.936	Horizontal	Pass
15.0MHz Band 16 QAM	1/#Mid	1717.5	-2.79	3.79	28.34	21.76	149.968	Horizontal	Pass
		1745	-2.67	3.95	28.22	21.60	144.544	Horizontal	Pass
		1772.5	-2.54	3.97	28.18	21.67	146.893	Horizontal	Pass
20.0MHz Band 16 QAM	1/#Mid	1720	-2.86	3.81	28.35	21.68	147.231	Horizontal	Pass
		1745	-2.65	3.96	28.22	21.61	144.877	Horizontal	Pass
		1770	-2.54	4	28.16	21.62	145.211	Horizontal	Pass
1.4MHz Band 16 QAM	1/#Mid	1710.7	-2.79	3.76	28.24	21.69	147.571	Vertical	Pass
		1745	-2.64	3.91	28.22	21.67	146.893	Vertical	Pass
		1779.3	-2.65	3.93	28.2	21.62	145.211	Vertical	Pass
3.0MHz Band 16 QAM	1/#Mid	1711.5	-2.77	3.77	28.23	21.69	147.571	Vertical	Pass
		1745	-2.73	3.91	28.24	21.60	144.544	Vertical	Pass
		1778.5	-2.69	3.94	28.25	21.62	145.211	Vertical	Pass

5.0MHz		1712.5	-2.80	3.77	28.31	21.74	149.279	Vertical	Pass
Band 16	1/#Mid	1745	-2.73	3.91	28.22	21.58	143.880	Vertical	Pass
QAM		1777.5	-2.55	3.94	28.2	21.71	148.252	Vertical	Pass
10.0MHz		1715	-2.91	3.79	28.34	21.64	145.881	Vertical	Pass
Band 16	1/#Mid	1745	-2.57	3.95	28.22	21.70	147.911	Vertical	Pass
QAM		1775	-2.53	3.97	28.18	21.68	147.231	Vertical	Pass
15.0MHz		1717.5	-2.93	3.81	28.35	21.61	144.877	Vertical	Pass
Band 16	1/#Mid	1745	-2.52	3.96	28.22	21.74	149.279	Vertical	Pass
QAM		1772.5	-2.53	4	28.16	21.63	145.546	Vertical	Pass
20.0MHz		1720	-2.75	3.79	28.34	21.80	151.356	Vertical	Pass
Band 16	1/#Mid	1745	-2.48	3.95	28.22	21.79	151.008	Vertical	Pass
QAM		1770	-2.43	3.97	28.18	21.78	150.661	Vertical	Pass

Note:

SG Level= Signal generator output

Max. EIRP Average (dBm)= Antenna Factor (dB)+ SG Level (dBm)- Cable Loss(dBm)

9. SPURIOUS RADIATION EMISSION

RULE PART(S)

FCC: §2.1051, §22.917(a), §24.238(a), §27.53(c)(g)(h)(m)

LIMIT

For Band 7, the minimum permissible attenuation level of any spurious emission is $55 + \log_{10}(P)$ [Watts].

The minimum permissible attenuation level of any spurious emission is $43 + \log_{10}(P)$ [Watts], where P is the transmitter power in Watts.

TEST PROCEDURE

For Cellular equipment - Compliance with these rules is based on the use of measurement instrumentation employing a resolution bandwidth of 100 kHz or greater. In the 1 MHz bands immediately outside and adjacent to the frequency block a resolution bandwidth of at least one percent of the emission bandwidth of the fundamental emission of the transmitter may be employed. A narrower resolution bandwidth is permitted in all cases to improve measurement accuracy provided the measured power is integrated over the full required measurement bandwidth (i.e. 100 kHz or 1 percent of emission bandwidth, as specified). The emission bandwidth is defined as the width of the signal between two points, one below the carrier center frequency and one above the carrier center frequency, outside of which all emissions are attenuated at least 26 dB below the transmitter power.

For PCS equipment - Compliance with these rules is based on the use of measurement instrumentation employing a resolution bandwidth of 1 MHz or greater. However, in the 1 MHz bands immediately outside and adjacent to the frequency block a resolution bandwidth of at least one percent of the emission bandwidth of the fundamental emission of the transmitter may be employed. A narrower resolution bandwidth is permitted in all cases to improve measurement accuracy provided the measured power is integrated over the full required measurement bandwidth (i.e. 1 MHz or 1 percent of emission bandwidth, as specified). The emission bandwidth is defined as the width of the signal between two points, one below the carrier center frequency and one above the carrier center frequency, outside of which all emissions are attenuated at least 26 dB below the transmitter power.

The unwanted emission power shall be measured with a resolution bandwidth of at least 1% of the occupied bandwidth in the 1 MHz band immediately outside and adjacent to the channel edge of the equipment. Beyond the 1 MHz band immediately outside the channel edge of the equipment, a resolution bandwidth of 1 MHz shall be employed. A narrower resolution bandwidth is allowed to be used provided that the measured power is integrated over the full required measurement bandwidth of 1 MHz or 1% of the occupied bandwidth as applicable.

The power of any unwanted emissions measured from the channel edge of the equipment shall be attenuated below the transmitter power, P (dBW), as follows:

- a. for base station and subscriber equipment, other than mobile subscriber equipment, the attenuation shall not be less than $43 + 10 \text{ Log}_{10} (p)$, dB; and
- b. for mobile subscriber equipment, the attenuation shall not be less than $43 + 10 \text{ Log}_{10} (p)$, dB at the channel edges and $55 + 10 \text{ Log}_{10} (p)$ at 5.5 MHz away and beyond the channel edges where p in (a) and (b) is the transmitter power measured in watts.

MODES TESTED

LTE Band 2/5/66

RESULTS

PASS

9.1 LTE BAND 2

QPSK EIRP POWER FOR LTE BAND 2 (1.4MHZ BANDWIDTH)

Test Results for Low Channel 1850.7MHz							
Frequency(MHz)	SG Level(dBm)	Cable Loss(dB)	Antenna Factor(dB)	Absolute Level(dBm)	Limit (dBm)	Margin(dBm)	Polarity
3701.4	-53.65	4.04	33.51	-24.18	-13	-11.18	Horizontal
3701.4	-47.59	4.04	33.51	-18.12	-13	-5.12	Vertical
5552.1	-48.90	5.24	35.84	-18.30	-13	-5.30	Vertical
5552.1	-52.95	5.24	35.84	-22.35	-13	-9.35	Horizontal
194.7	-37.65	1.43	16.02	-23.06	-13	-10.06	Vertical
465.6	-37.81	1.30	17.99	-21.12	-13	-8.12	Horizontal
Test Results for Mid Channel 1880MHz							
3760.0	-48.76	4.04	33.56	-19.24	-13	-6.24	Horizontal
3760.0	-50.56	4.04	33.56	-21.04	-13	-8.04	Vertical
5640.0	-47.01	5.24	35.91	-16.34	-13	-3.34	Vertical
5640.0	-50.73	5.24	35.91	-20.06	-13	-7.06	Horizontal
191.0	-41.93	1.62	16.97	-26.58	-13	-13.58	Vertical
253.4	-36.90	1.74	15.98	-22.67	-13	-9.67	Horizontal
Test Results for High Channel 1909.3MHz							
3818.6	-49.83	4.04	34.00	-19.87	-13	-6.87	Horizontal
3818.6	-48.89	4.04	34.00	-18.93	-13	-5.93	Vertical
5727.9	-53.28	5.24	36.04	-22.48	-13	-9.48	Vertical
5727.9	-52.26	5.24	36.04	-21.46	-13	-8.46	Horizontal
183.7	-40.97	1.42	17.29	-25.10	-13	-12.10	Vertical
397.7	-38.70	1.50	17.90	-22.29	-13	-9.29	Horizontal

QPSK EIRP POWER FOR LTE BAND 2 (20.0MHZ BANDWIDTH)

Test Results for Low Channel 1860MHz							
Frequency(MHz)	SG Level(dBm)	Cable Loss(dB)	Antenna Factor(dB)	Absolute Level(dBm)	Limit (dBm)	Margin(dBm)	Polarity
3720.0	-45.70	4.07	33.54	-16.23	-13	-3.23	Horizontal
3720.0	-50.48	4.07	33.54	-21.01	-13	-8.01	Vertical
5580.0	-52.44	5.28	35.86	-21.86	-13	-8.86	Vertical
5580.0	-53.92	5.28	35.86	-23.34	-13	-10.34	Horizontal
182.8	-41.98	1.58	16.89	-26.66	-13	-13.66	Vertical
238.7	-35.50	1.76	17.26	-20.00	-13	-7.00	Horizontal
Test Results for Mid Channel 1880MHz							
3760.0	-45.49	4.04	33.56	-15.97	-13	-2.97	Horizontal
3760.0	-49.48	4.04	33.56	-19.96	-13	-6.96	Vertical
5640.0	-46.94	5.24	35.91	-16.27	-13	-3.27	Vertical
5640.0	-53.42	5.24	35.91	-22.75	-13	-9.75	Horizontal
209.4	-42.87	1.46	16.27	-28.06	-13	-15.06	Vertical
364.3	-39.42	1.59	15.15	-25.86	-13	-12.86	Horizontal
Test Results for High Channel 1900MHz							
3800.0	-48.28	4.04	34.00	-18.32	-13	-5.32	Horizontal
3800.0	-49.03	4.04	34.00	-19.07	-13	-6.07	Vertical
5700.0	-45.16	5.24	36.04	-14.36	-13	-1.36	Vertical
5700.0	-49.85	5.24	36.04	-19.05	-13	-6.05	Horizontal
190.0	-38.55	1.36	17.39	-22.51	-13	-9.51	Vertical
272.9	-40.28	1.66	15.39	-26.55	-13	-13.55	Horizontal

Note: Spurious Emission Level = Spectrum Analyzer Read Value + Cable Loss+ Antenna Factor + 11.74

. Margin = Spurious Emission Level - Limit

. Both QPSK and 16QAM has been tested, the worst case is QPSK mode, the report just reported the worst case.

9.2 LTE BAND 5

QPSK EIRP POWER FOR LTE BAND 5 (1.4MHZ BANDWIDTH)

Test Results for Low Channel 824.7MHz							
Frequency(MHz)	SG Level(dBm)	Cable Loss(dB)	Antenna Factor(dB)	Absolute Level(dBm)	Limit (dBm)	Margin(dBm)	Polarity
1649.4	-51.38	2.78	27.50	-26.66	-13	-13.66	Horizontal
1649.4	-49.06	2.78	27.50	-24.34	-13	-11.34	Vertical
2474.1	-47.59	2.90	27.80	-22.69	-13	-9.69	Vertical
2474.1	-51.47	2.90	27.80	-26.57	-13	-13.57	Horizontal
176.1	-40.63	1.76	17.59	-24.80	-13	-11.80	Vertical
321.5	-43.57	1.63	15.87	-29.33	-13	-16.33	Horizontal
Test Results For Mid Channel 836.5MHz							
1673.0	-53.52	2.80	27.48	-28.84	-13	-15.84	Horizontal
1673.0	-44.20	2.80	27.48	-19.52	-13	-6.52	Vertical
2509.5	-47.54	2.91	27.70	-22.75	-13	-9.75	Vertical
2509.5	-53.76	2.91	27.70	-28.97	-13	-15.97	Horizontal
176.4	-40.81	1.61	15.68	-26.74	-13	-13.74	Vertical
291.3	-41.47	1.59	17.52	-25.55	-13	-12.55	Horizontal
Test Results for High Channel 848.3MHz							
1696.6	-48.91	2.82	27.43	-24.30	-13	-11.30	Horizontal
1696.6	-45.98	2.82	27.43	-21.37	-13	-8.37	Vertical
2544.9	-49.11	2.92	27.74	-24.29	-13	-11.29	Vertical
2544.9	-50.33	2.92	27.74	-25.51	-13	-12.51	Horizontal
188.6	-44.83	1.69	16.67	-29.84	-13	-16.84	Vertical
400.1	-39.68	1.70	17.18	-24.20	-13	-11.20	Horizontal

QPSK EIRP POWER FOR LTE BAND 5 (10MHZ BANDWIDTH)

Test Results for Low Channel 829MHz							
Frequency(MHz)	SG Level(dBm)	Cable Loss(dB)	Antenna Factor(dB)	Absolute Level(dBm)	Limit (dBm)	Margin(dBm)	Polarity
1658.0	-47.25	2.78	27.50	-22.53	-13	-9.53	Horizontal
1658.0	-52.80	2.78	27.50	-28.08	-13	-15.08	Vertical
2487.0	-48.37	2.90	27.80	-23.47	-13	-10.47	Vertical
2487.0	-49.24	2.90	27.80	-24.34	-13	-11.34	Horizontal
193.3	-39.64	1.71	15.57	-25.78	-13	-12.78	Vertical
317.3	-40.55	1.34	16.40	-25.49	-13	-12.49	Horizontal
Test Results for Mid Channel 836.5MHz							
1673.0	-48.46	2.80	27.48	-23.78	-13	-10.78	Horizontal
1673.0	-46.11	2.80	27.48	-21.43	-13	-8.43	Vertical
2509.5	-51.98	2.91	27.70	-27.19	-13	-14.19	Vertical
2509.5	-50.50	2.91	27.70	-25.71	-13	-12.71	Horizontal
178.5	-38.42	1.44	17.04	-22.82	-13	-9.82	Vertical
235.0	-40.03	1.76	17.62	-24.17	-13	-11.17	Horizontal
Test Results for High Channel 844MHz							
1688.0	-51.63	2.82	27.43	-27.02	-13	-14.02	Horizontal
1688.0	-46.37	2.82	27.43	-21.76	-13	-8.76	Vertical
2532.0	-50.23	2.92	27.74	-25.41	-13	-12.41	Vertical
2532.0	-51.15	2.92	27.74	-26.33	-13	-13.33	Horizontal
200.6	-42.33	1.74	17.70	-26.37	-13	-13.37	Vertical
408.3	-37.19	1.41	17.46	-21.13	-13	-8.13	Horizontal

Note: Spurious Emission Level = Spectrum Analyzer Read Value + Cable Loss+ Antenna Factor + 11.74

. Margin = Spurious Emission Level - Limit

. Both QPSK and 16QAM has been tested, the worst case is QPSK mode, the report just reported the worst case.

9.3 LTE BAND 66

QPSK EIRP POWER FOR LTE BAND 66 (1.4MHZ BANDWIDTH)

Test Results for Low Channel 1710.7MHz							
Frequency(MHz)	SG Level(dBm)	Cable Loss(dB)	Antenna Gain(dB)	Absolute Level(dBm)	Limit (dBm)	Margin(dBm)	Polarity
3421.4	-62.16	3.84	35.81	-30.19	-13	-17.19	Horizontal
3421.4	-60.40	3.84	35.81	-28.43	-13	-15.43	Vertical
5132.1	-59.47	5.18	36.85	-27.80	-13	-14.80	Vertical
5132.1	-62.22	5.18	36.85	-30.55	-13	-17.55	Horizontal
181.5	-54.94	1.56	17.97	-38.53	-13	-25.53	Vertical
272.6	-45.02	1.33	15.11	-31.24	-13	-18.24	Horizontal
Test Results for Mid Channel 1745MHz							
3490.0	-63.02	3.85	35.82	-31.05	-13	-18.05	Horizontal
3490.0	-64.13	3.85	35.82	-32.16	-13	-19.16	Vertical
5235.0	-64.58	5.21	36.85	-32.94	-13	-19.94	Vertical
5235.0	-59.70	5.21	36.85	-28.06	-13	-15.06	Horizontal
209.8	-54.94	1.77	16.17	-40.53	-13	-27.53	Vertical
407.4	-49.10	1.63	15.21	-35.52	-13	-22.52	Horizontal
Test Results for High Channel 1779.3MHz							
3558.6	-63.90	3.86	35.83	-31.93	-13	-18.93	Horizontal
3558.6	-60.36	3.86	35.83	-28.39	-13	-15.39	Vertical
5337.9	-59.91	5.24	36.87	-28.28	-13	-15.28	Vertical
5337.9	-60.40	5.24	36.87	-28.77	-13	-15.77	Horizontal
204.6	-45.43	1.58	17.56	-29.45	-13	-16.45	Vertical
313.5	-45.98	1.45	16.58	-30.85	-13	-17.85	Horizontal

QPSK EIRP POWER FOR LTE BAND 66 (20MHZ BANDWIDTH)

Test Results for Low Channel 1720MHz							
Frequency(MHz)	SG Level(dBm)	Cable Loss(dB)	Antenna Gain(dB)	Absolute Level(dBm)	Limit (dBm)	Margin(dBm)	Polarity
3440.0	-60.09	3.84	35.82	-28.11	-13	-15.11	Horizontal
3440.0	-62.58	3.84	35.82	-30.60	-13	-17.60	Vertical
5160.0	-63.88	5.18	36.86	-32.20	-13	-19.20	Vertical
5160.0	-59.74	5.18	36.86	-28.06	-13	-15.06	Horizontal
195.3	-44.18	1.56	15.76	-29.98	-13	-16.98	Vertical
255.0	-52.81	1.33	15.44	-38.70	-13	-25.70	Horizontal
Test Results for Mid Channel 1745MHz							
3490.0	-59.34	3.85	35.82	-27.37	-13	-14.37	Horizontal
3490.0	-59.26	3.85	35.82	-27.29	-13	-14.29	Vertical
5235.0	-63.87	5.21	36.85	-32.23	-13	-19.23	Vertical
5235.0	-60.21	5.21	36.85	-28.57	-13	-15.57	Horizontal
179.6	-46.41	1.77	16.84	-31.33	-13	-18.33	Vertical
445.4	-44.52	1.63	17.64	-28.51	-13	-15.51	Horizontal
Test Results for High Channel 1770MHz							
3540.0	-60.89	3.86	35.83	-28.92	-13	-15.92	Horizontal
3540.0	-60.69	3.86	35.83	-28.72	-13	-15.72	Vertical
5310.0	-61.74	5.24	36.88	-30.10	-13	-17.10	Vertical
5310.0	-63.66	5.24	36.88	-32.02	-13	-19.02	Horizontal
177.6	-46.91	1.58	16.84	-31.64	-13	-18.64	Vertical
272.2	-47.87	1.45	17.64	-31.68	-13	-18.68	Horizontal

Note: Spurious Emission Level = Spectrum Analyzer Read Value + Cable Loss+ Antenna Factor + 11.74

. Margin = Spurious Emission Level - Limit

. Both QPSK and 16QAM has been tested, the worst case is QPSK mode, the report just reported the worst case.

10. FREQUENCY STABILITY

RULE PART(S)

FCC: §2.1055, §22.355, §24.235, §27.54

LIMITS

§22.355 - The carrier frequency shall not depart from the reference frequency in excess of ± 2.5 ppm for mobile stations.

§24.235 - The frequency stability shall be sufficient to ensure that the fundamental emission stays within the authorized frequency block.

TEST PROCEDURE

Use CMW 500 with Frequency Error measurement capability.

- Temp. = -30° to $+50^{\circ}\text{C}$
- Voltage = low voltage, DC 3.4V, Normal, DC 3.8V and High voltage, DC 4.2V.

Frequency Stability vs Temperature:

The EUT is placed inside a temperature chamber. The temperature is set to -30°C and allowed to stabilize. After sufficient soak time, the transmitting frequency error is measured. The temperature is increased by 10 degrees, allowed to stabilize and soak, and then the measurement is repeated. This is repeated until $+50^{\circ}\text{C}$ is reached.

Frequency Stability vs Voltage:

The peak frequency error is recorded (worst-case).

MODES TESTED

LTE Band 2/5/66

RESULTS

See the following pages.

10.1 LTE BAND 2

Band 2 QPSK, (20MHz BANDWIDTH RB size 100 RB Offset 0)

Frequency error vs. Voltage

Voltage [Vdc]	Frequency [MHz]	Frequency* Error[Hz]	Frequency Error[ppm]	Limit [ppm]
3.4	1880	12.4	0.006614	2.5
3.8	1880	13.8	0.007348	2.5
4.2	1880	13.3	0.007074	2.5

Frequency error vs. Temperature

Temperature [°C]	Frequency [MHz]	Frequency* Error[Hz]	Frequency Error[ppm]	Limit [ppm]
Normal (25C)	1880	12.5	0.006661	2.5
Extreme (50C)	1880	11.4	0.006060	2.5
Extreme (40C)	1880	14.1	0.007510	2.5
Extreme (30C)	1880	13.1	0.006962	2.5
Extreme (10C)	1880	13.6	0.007259	2.5
Extreme (0C)	1880	11.6	0.006184	2.5
Extreme (-10C)	1880	12.9	0.006852	2.5
Extreme (-20C)	1880	14.4	0.007659	2.5
Extreme (-30C)	1880	14.5	0.007729	2.5

Band 2 16QAM, (20MHz BANDWIDTH RB size 100 RB Offset 0)

Frequency error vs. Voltage

Voltage [Vdc]	Frequency [MHz]	Frequency* Error[Hz]	Frequency Error[ppm]	Limit [ppm]
3.4	1880	9.4	0.004990	2.5
3.8	1880	9.2	0.004915	2.5
4.2	1880	7.7	0.004090	2.5

Frequency error vs. Temperature

Temperature [°C]	Frequency [MHz]	Frequency* Error[Hz]	Frequency Error[ppm]	Limit [ppm]
Normal (25C)	1880	9.3	0.004960	2.5
Extreme (50C)	1880	9.2	0.004899	2.5
Extreme (40C)	1880	8.0	0.004272381	2.5
Extreme (30C)	1880	9.4	0.005005481	2.5
Extreme (10C)	1880	8.9	0.004716283	2.5
Extreme (0C)	1880	8.2	0.004346406	2.5
Extreme (-10C)	1880	8.9	0.00472983	2.5
Extreme (-20C)	1880	9.2	0.004909782	2.5
Extreme (-30C)	1880	8.5	0.004536226	2.5

***Note:** Frequency error measurements were made by using the build-in capability of the Wireless Communication Test Set.

10.2 LTE BAND 5

Band 5 QPSK, (10MHz BANDWIDTH RB size 50 RB Offset 0)

Frequency error vs. Voltage

Voltage [Vdc]	Frequency [MHz]	Frequency* Error[Hz]	Frequency Error[ppm]	Limit [ppm]
3.4	836.5	6.2	0.007401	2.5
3.8	836.5	6.8	0.008097	2.5
4.2	836.5	5.0	0.005961	2.5

Frequency error vs. Temperature

Temperature [°C]	Frequency [MHz]	Frequency* Error[Hz]	Frequency Error[ppm]	Limit [ppm]
Normal (25C)	836.5	6.5	0.007812	2.5
Extreme (50C)	836.5	6.0	0.007154	2.5
Extreme (40C)	836.5	6.0	0.007226	2.5
Extreme (30C)	836.5	6.2	0.007444	2.5
Extreme (10C)	836.5	5.3	0.006371	2.5
Extreme (0C)	836.5	5.1	0.006044	2.5
Extreme (-10C)	836.5	5.7	0.006853	2.5
Extreme (-20C)	836.5	6.6	0.007887	2.5
Extreme (-30C)	836.5	6.7	0.008069	2.5

Band 5 16QAM, (10MHz BANDWIDTH RB size 50 RB Offset 0)

Frequency error vs. Voltage

Voltage [Vdc]	Frequency [MHz]	Frequency* Error[Hz]	Frequency Error[ppm]	Limit [ppm]
3.4	836.5	5.3	0.006362	2.5
3.8	836.5	6.2	0.007437	2.5
4.2	836.5	4.5	0.005382	2.5

Frequency error vs. Temperature

Temperature [°C]	Frequency [MHz]	Frequency* Error[Hz]	Frequency Error[ppm]	Limit [ppm]
Normal (25C)	836.5	5.8	0.006877	2.5
Extreme (50C)	836.5	5.7	0.006849	2.5
Extreme (40C)	836.5	6.5	0.007810	2.5
Extreme (30C)	836.5	6.7	0.008068	2.5
Extreme (10C)	836.5	5.9	0.007047	2.5
Extreme (0C)	836.5	5.4	0.006459	2.5
Extreme (-10C)	836.5	5.3	0.006305	2.5
Extreme (-20C)	836.5	6.1	0.007273	2.5
Extreme (-30C)	836.5	6.6	0.007934	2.5

***Note:** Frequency error measurements were made by using the build-in capability of the Wireless Communication Test Set.

10.3 LTE BAND 66

Band 66 QPSK, (20MHz BANDWIDTH RB size 100 RB Offset 0)

Frequency error vs. Voltage

Voltage [Vdc]	Frequency [MHz]	Frequency* Error[Hz]	Frequency Error[ppm]	Limit [ppm]
3.4	1745	6.6	0.003796	2.5
3.8	1745	7.0	0.004004	2.5
4.2	1745	7.7	0.004394	2.5

Frequency error vs. Temperature

Temperature [°C]	Frequency [MHz]	Frequency* Error[Hz]	Frequency Error[ppm]	Limit [ppm]
Normal (25C)	1745	5.4	0.003085	2.5
Extreme (50C)	1745	7.7	0.004420	2.5
Extreme (40C)	1745	6.5	0.003712	2.5
Extreme (30C)	1745	7.5	0.004284	2.5
Extreme (10C)	1745	7.5	0.004310	2.5
Extreme (0C)	1745	6.5	0.003752	2.5
Extreme (-10C)	1745	5.6	0.003201	2.5
Extreme (-20C)	1745	6.1	0.003498	2.5
Extreme (-30C)	1745	5.7	0.003250	2.5

Band 66 16QAM, (20MHz BANDWIDTH RB size 100 RB Offset 0)

Frequency error vs. Voltage

Voltage [Vdc]	Frequency [MHz]	Frequency* Error[Hz]	Frequency Error[ppm]	Limit [ppm]
3.4	1745	8.9	0.005108	2.5
3.8	1745	7.7	0.004392	2.5
4.2	1745	9.8	0.005605	2.5

Frequency error vs. Temperature

Temperature [°C]	Frequency [MHz]	Frequency* Error[Hz]	Frequency Error[ppm]	Limit [ppm]
Normal (25C)	1745	9.1	0.005203	2.5
Extreme (50C)	1745	7.8	0.004449	2.5
Extreme (40C)	1745	8.7	0.004972	2.5
Extreme (30C)	1745	7.9	0.004518	2.5
Extreme (10C)	1745	8.4	0.004796	2.5
Extreme (0C)	1745	6.9	0.003936	2.5
Extreme (-10C)	1745	8.8	0.005034	2.5
Extreme (-20C)	1745	8.3	0.004784	2.5
Extreme (-30C)	1745	5.8	0.003334	2.5

***Note:** Frequency error measurements were made by using the build-in capability of the Wireless Communication Test Set.

11. Peak-to-Average Ratio

11.1 Description of the PAR Measurement

The peak-to-average ratio (PAR) of the transmission may not exceed 13 dB.

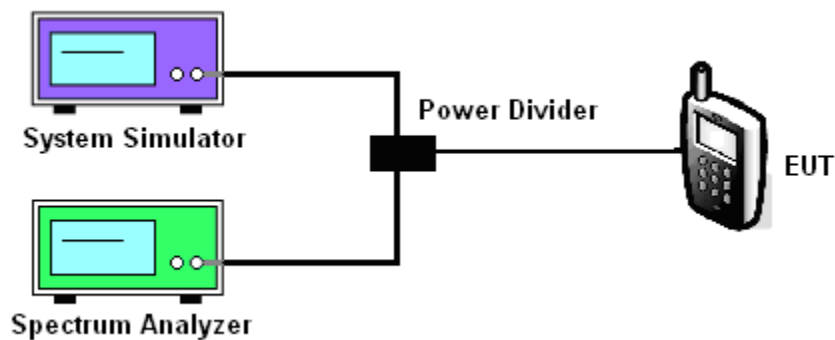
11.2 Measuring Instruments

See list of measuring instruments of this test report.

11.3 Test Procedures

1. The EUT was connected to Spectrum Analyzer and Base Station via power divider.
2. The RF output of EUT was connected to the spectrum analyzer by RF cable and attenuator. The path loss was compensated to the results for each measurement.
3. For LTE operating modes:
 - a. Set the CCDF (Complementary Cumulative Distribution Function) option in spectrum analyzer.
 - b. The highest RF powers were measured and recorded the maximum PAPR level associated with a probability of 0.1 %.

11.4 Test Setup



MODES TESTED

LTE Band 2/5/66

Test data reference attachment.

----END OF REPORT----