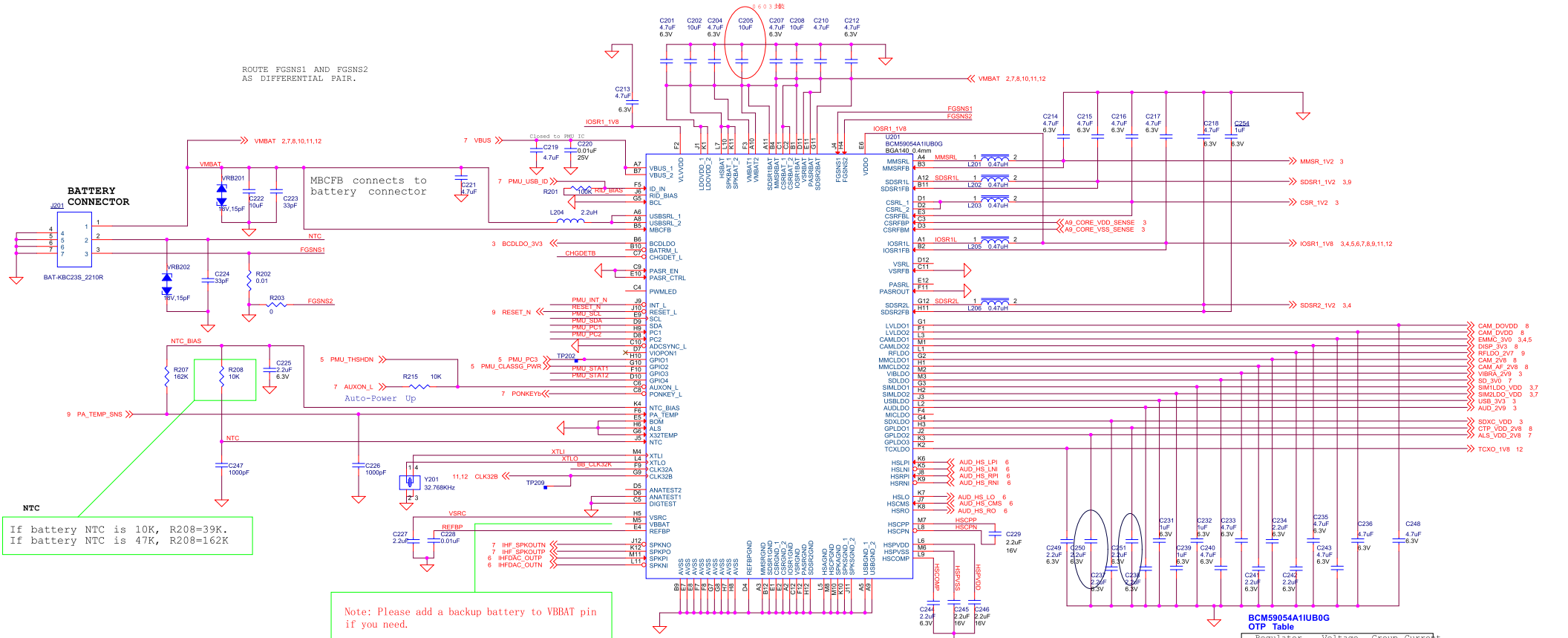


ROUTE FGNS1 AND FGNS2 AS DIFFERENTIAL PAIR.
AS DIFFERENTIAL PAIR.



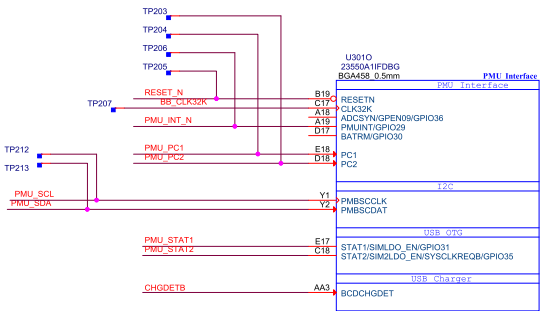
NTC
If battery NTC is 10K, R208=39K.
If battery NTC is 47K, R208=162K

Note: Please add a backup battery to VBBAT pin if you need.

Remote cap candidates:
MMCLD01
MMCLD02
SIMLD01
SIMLD02
USBLD0
AUDLDO
AUDLDO
SDXLDO

BCM59054A1IUB0G
OTP Table

Regulator	Voltage	Group	Current
CMLD01	3.3V	1	400mA
USBLD0	3.3V	6	200mA
IOSR1	1.84V	1	1.5A
MMCLD02	2.8V	OFF	200mA
SDSR2	1.24V	3	900mA
SDSR1	1.24V	4	1.3A
CSR	1.02V	5	1.5A
MMSR	1.12V	6	900mA
VSR	1.6V	1	900mA
MMCLD01	2.8V	OFF	200mA
CMLD02	3.1V	OFF	400mA
SDLDO	3.0V	OFF	400mA
MICLDO	1.8V	OFF	10mA
SDLDO	3.0V	OFF	200mA
SIMLD01	1.8V	OFF	200mA
SIMLD02	1.8V	OFF	200mA
REFLDO	2.7V	OFF	125mA
AUDLDO	2.9V	OFF	125mA
VIBLDO	2.9V	OFF	400mA
GP1D01	2.8V	OFF	200mA
GP1D02	2.8V	OFF	200mA
GP1D03	1.8V	OFF	200mA
PASR	1.84V	OFF	900mA
LVLDO1	1.2V	OFF	200mA
LVLDO2	1.8V	OFF	400mA
TCXLDO	1.8V	1	200mA

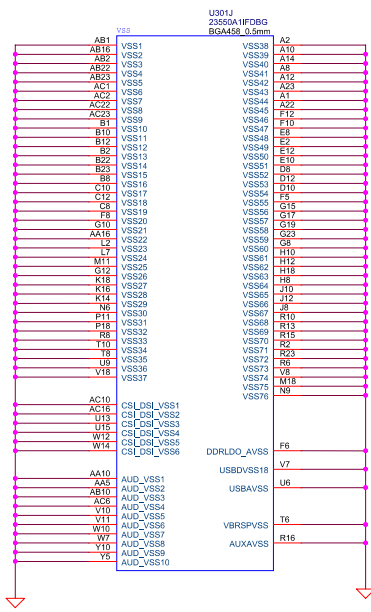
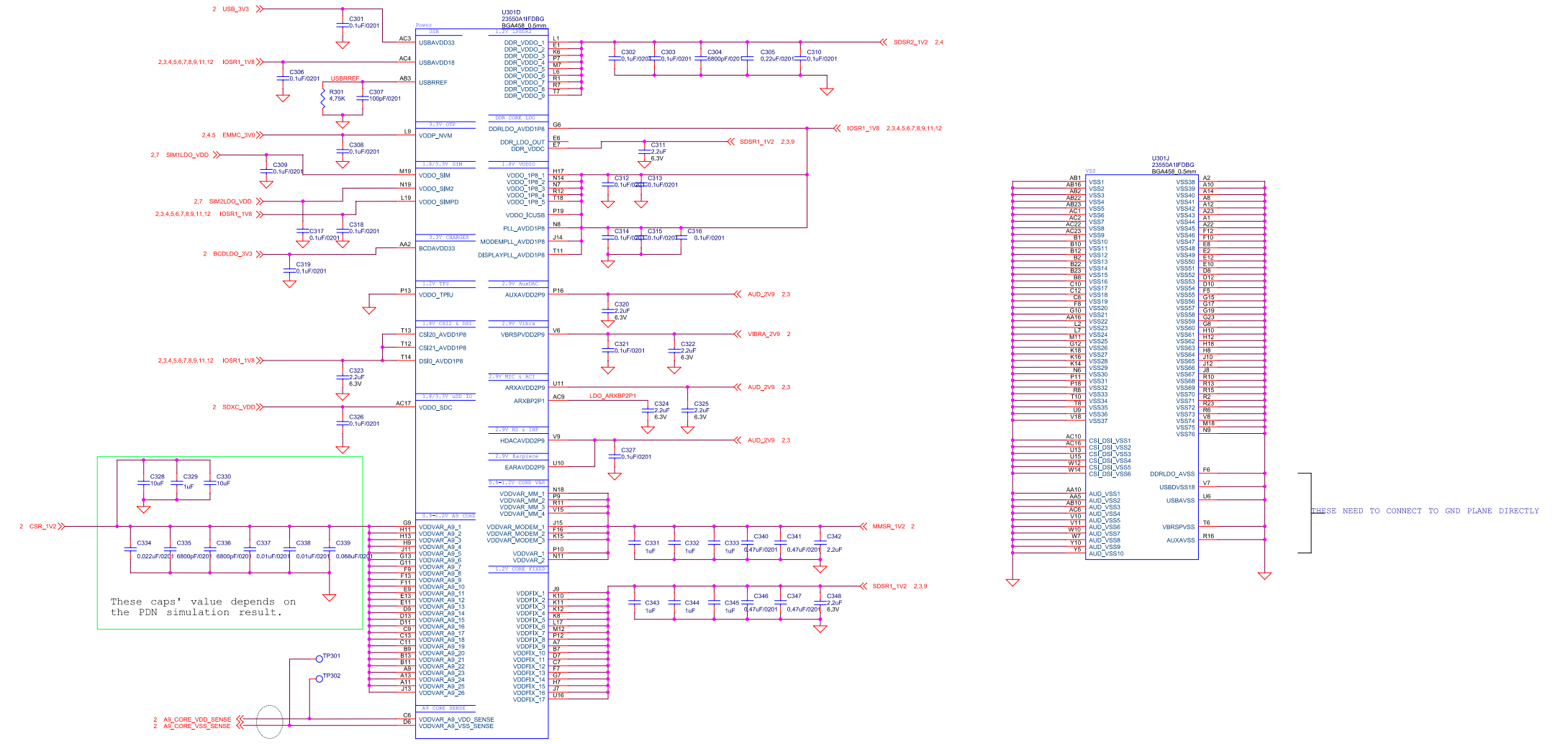


Broadcom Corporation
5300 California Ave
Irvine, CA 92617
USA


Java A25 :PMU - BCM59054

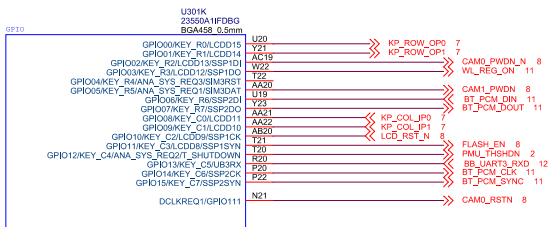
Size	DWG NO	Rev	
Custom	JAVA_A25_EDN010	01	

Wednesday, February 12, 2014

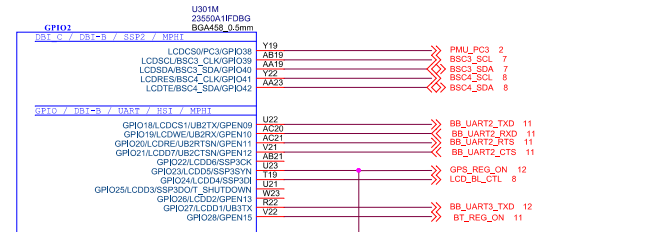


THESE NEED TO CONNECT TO GND PLANE DIRECTLY

		Broadcom Corporation 5300 California Ave Irvine, CA 92617 USA	
		Java A25 :BB POWER SUPPLIES	
Date Custom	DWG NO JAVA_A25_EDN010	Rev 01	
Scale	Sheet 3	of 13	Wednesday, February 12, 2014



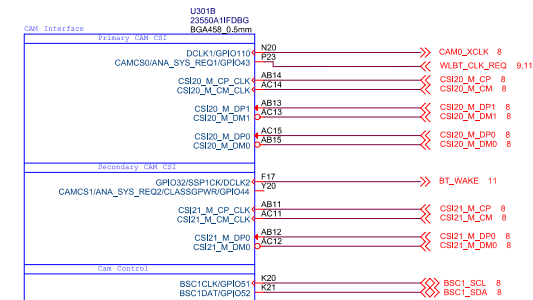
GPIO



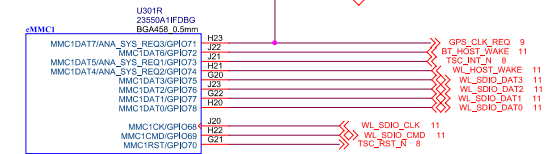
GPIO / BSC3-4

INSTALL R505 FOR SINGLE TCXO CASE
GPS_RBG_ON IS ALSO USED AS GPS_CLK_REQ TO BB AND RFIC

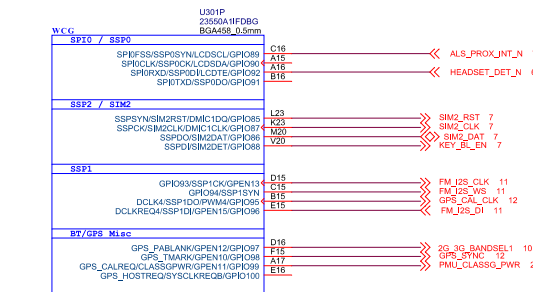
BSC1: CAMERA
BSC3: SENSORS
BSC4: TOUCH SCREEN



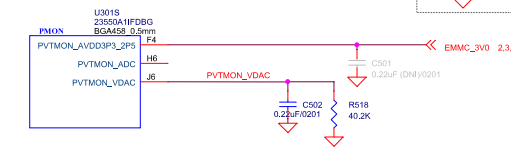
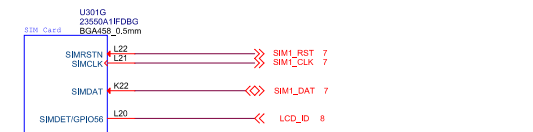
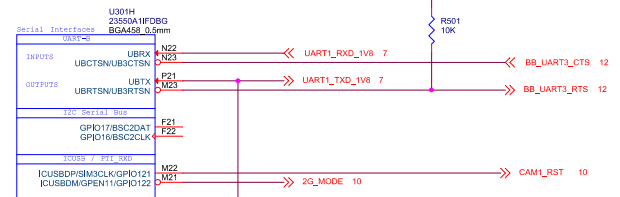
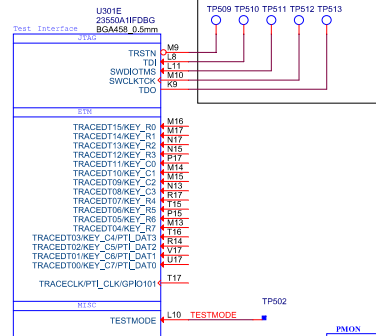
CAMERA

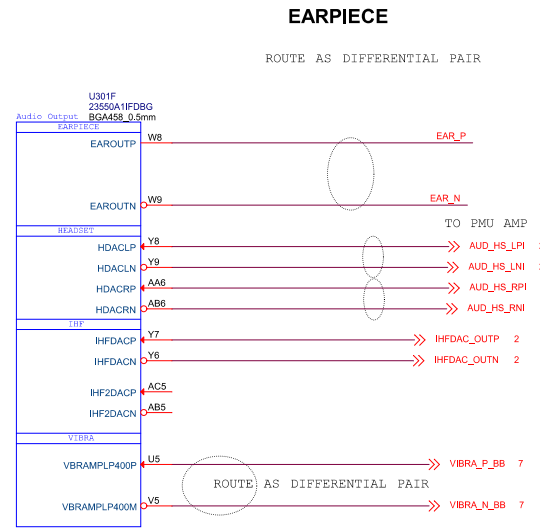
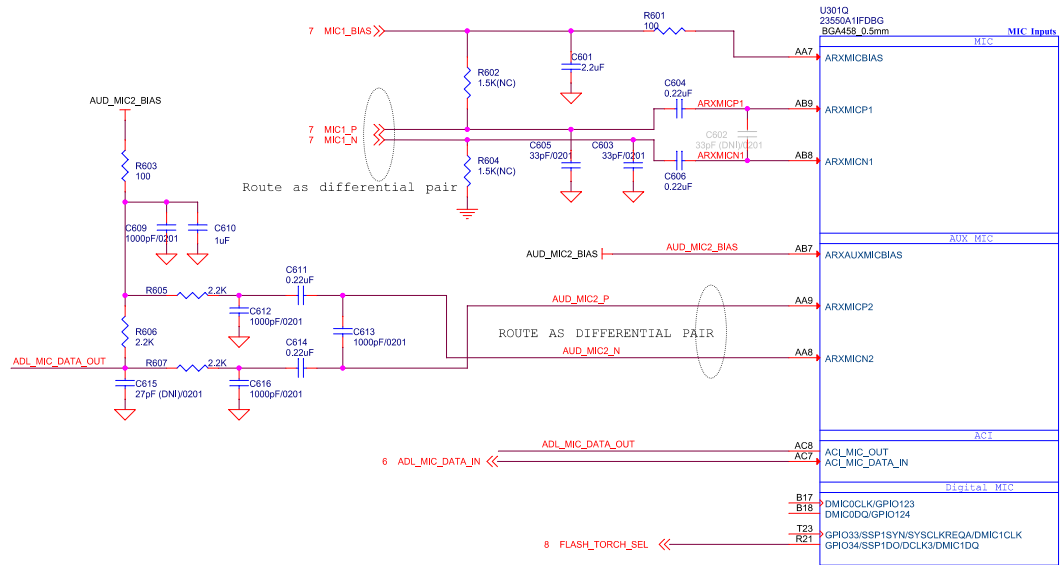


SDIO

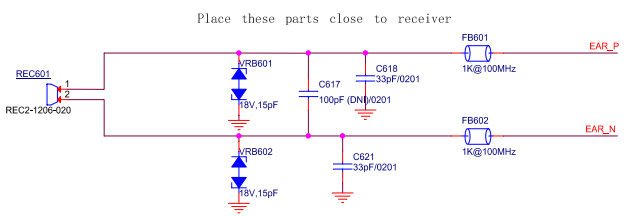


JTAG TEST POINT

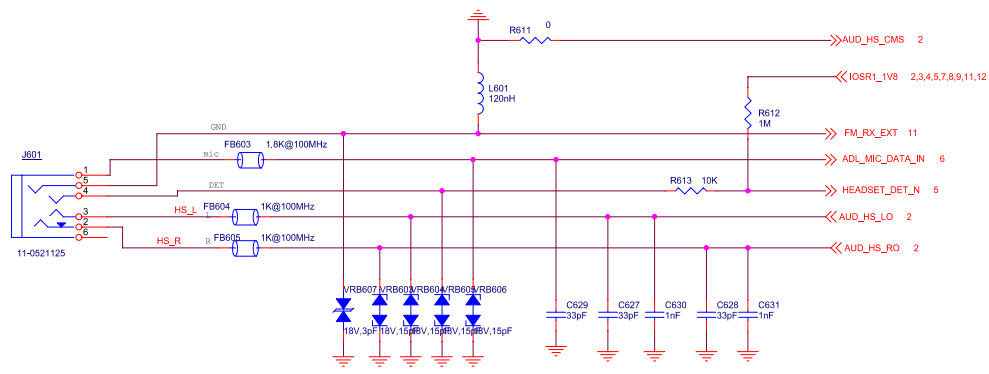




Digital MIC: DNI by default

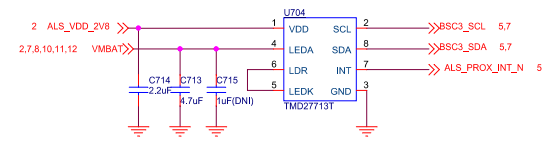


Stereo PA: DNI by default



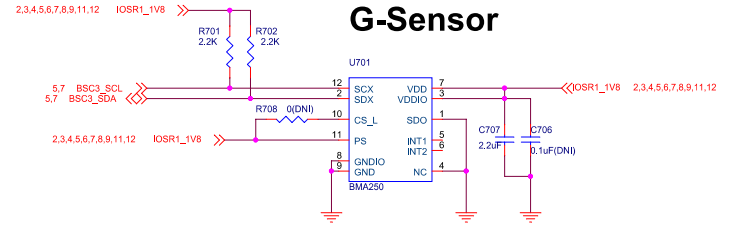
	Broadcom Corporation 5300 California Ave Irvine, CA 92617 USA		
	Java A25 : AUDIO		
Size	DWG NO	Rev	
Custom	JAVA_A25_EDN010	01	
Scale		Sheet	6 of 13
Wednesday, February 12, 2014			

ALS & PS Sensor

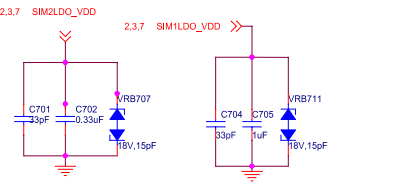
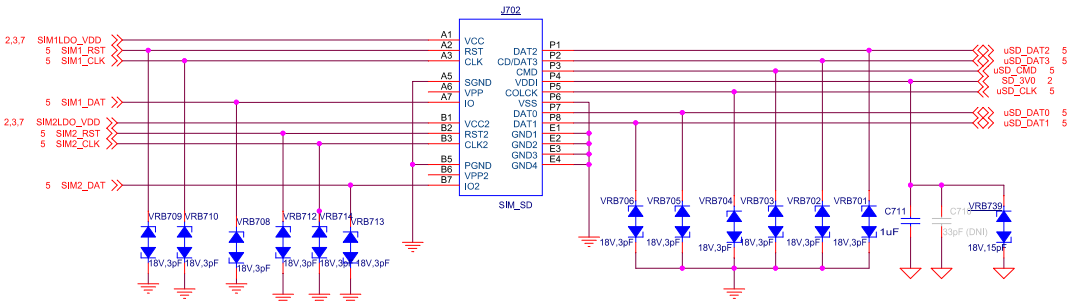


TAOS TMD 27713
 ADDRESS 0x39
 I2C Vbus = 1.8V interface
 TAOS TMD 27713
 ADDRESS 0x39
 I2C Vbus = 1.8V interface

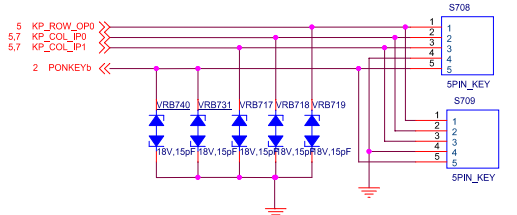
G-Sensor



I2C ADDR = 0x18 BMA250
 I2C ADDR = 0x0E KXTJ2-1009

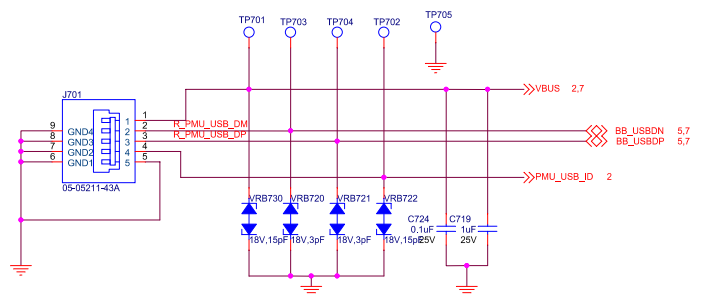
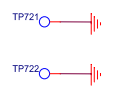


Volume Up Down,ponkey

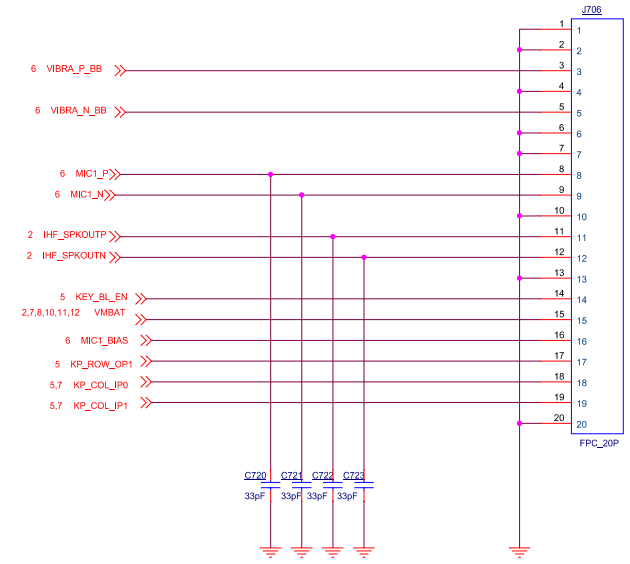
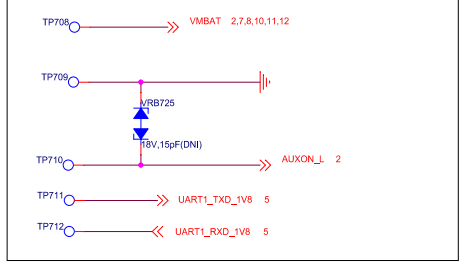


S1 Vol + : ROW_OP0 and COL_IP0
 S2 Vol - : ROW_OP0 and COL_IP0

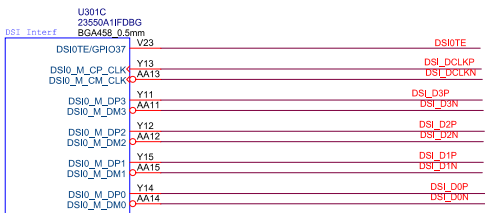
FPC



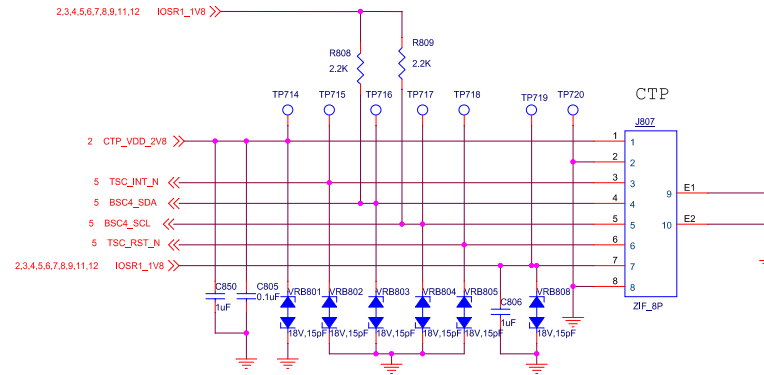
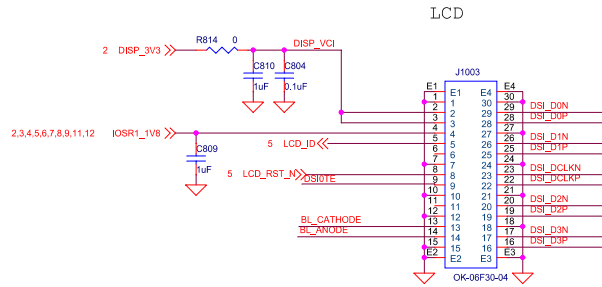
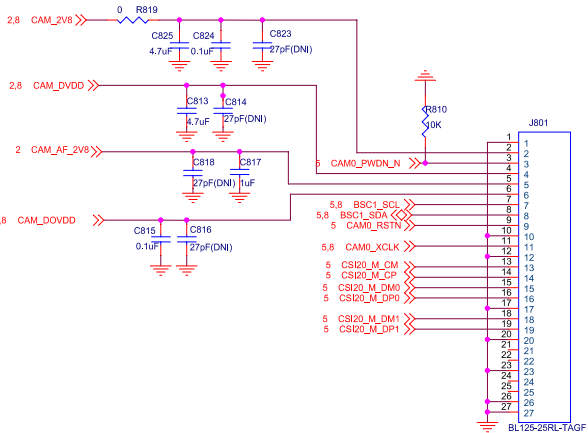
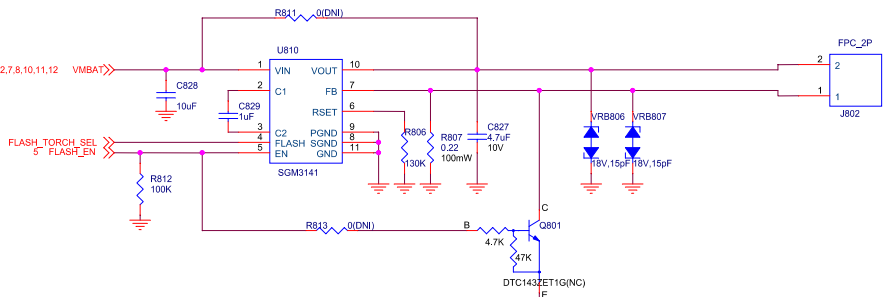
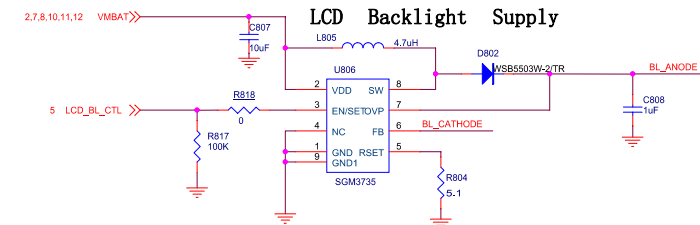
FACTORY TEST POINTS



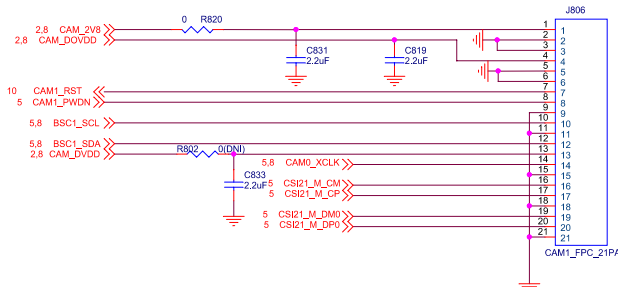
	Broadcom Corporation 5300 California Ave Irvine, CA 92617 USA		
	Java A25 : SIM, SD,USB,SENSOR,FPC		
Size	DWG NO	Rev	
Custom	JAVA_A25_EDN010	01	
Scale		Sheet	7 of 13



DSI SIGNALS TO BE ROUTED AS 100 OHMS DIFFERENTIAL PAIR

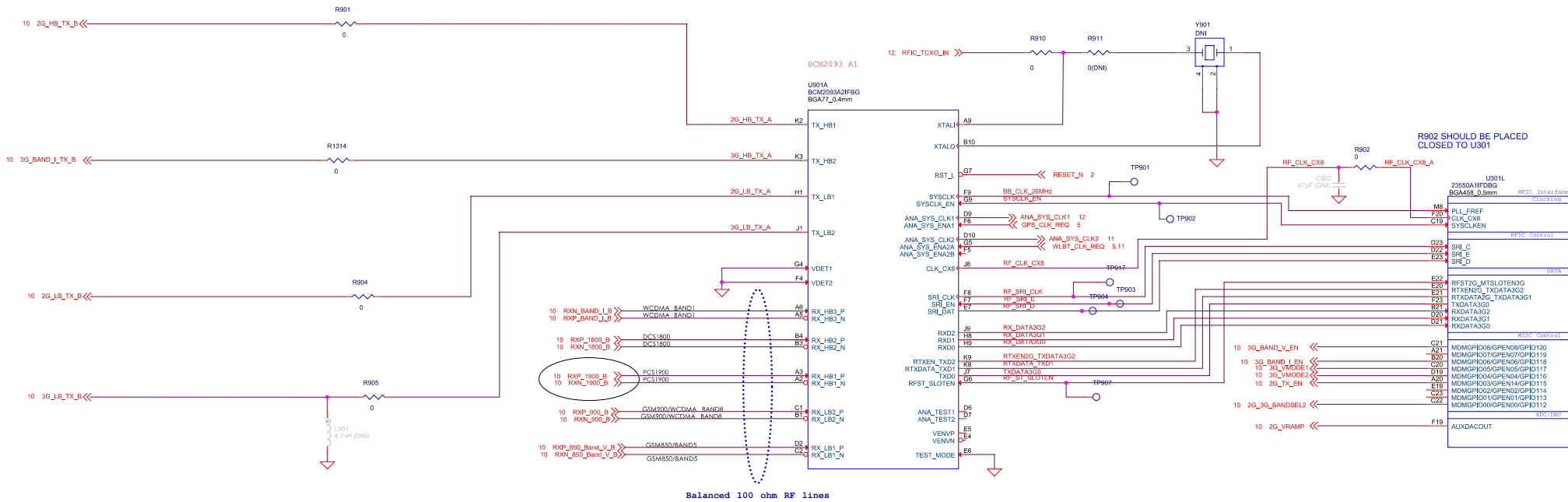


Front Camera
0.3M SP0A28



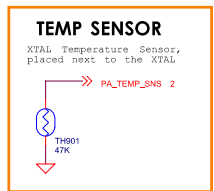
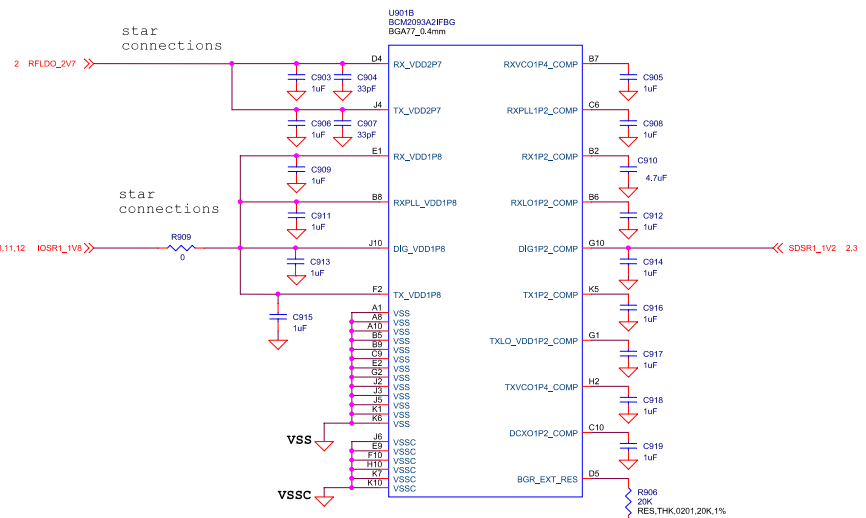
cap instead of EMI filter, for the front cam data speed is not very fast.

	Broadcom Corporation 5300 California Ave Irvine, CA 92617 USA		
	Java A25 : LCD, TOUCH PANEL,CAMERA		
Size	DWG NO	Rev	
Custom	JAVA_A25_EDN010	01	
Scale		Sheet	8 of 13
Wednesday, February 12, 2014			

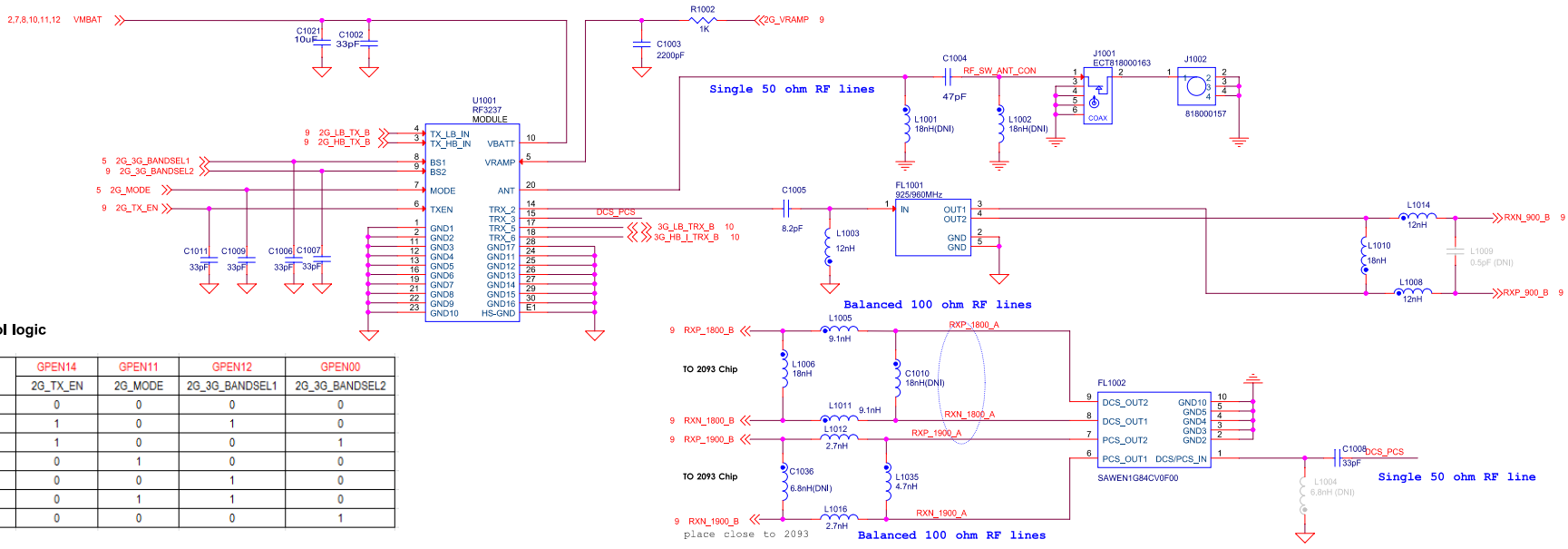


R902 SHOULD BE PLACED CLOSED TO U301

Balanced 100 ohm RF lines



	Broadcom Corporation 5300 California Ave Irvine, CA 92617 USA		
	Java A25 : RFIC - BCM2093		
Size	Custom	DWG NO	Rev
Scale		JAVA_A25_EDN010	01
Wednesday, February 12, 2014		Sheet	9 of 13

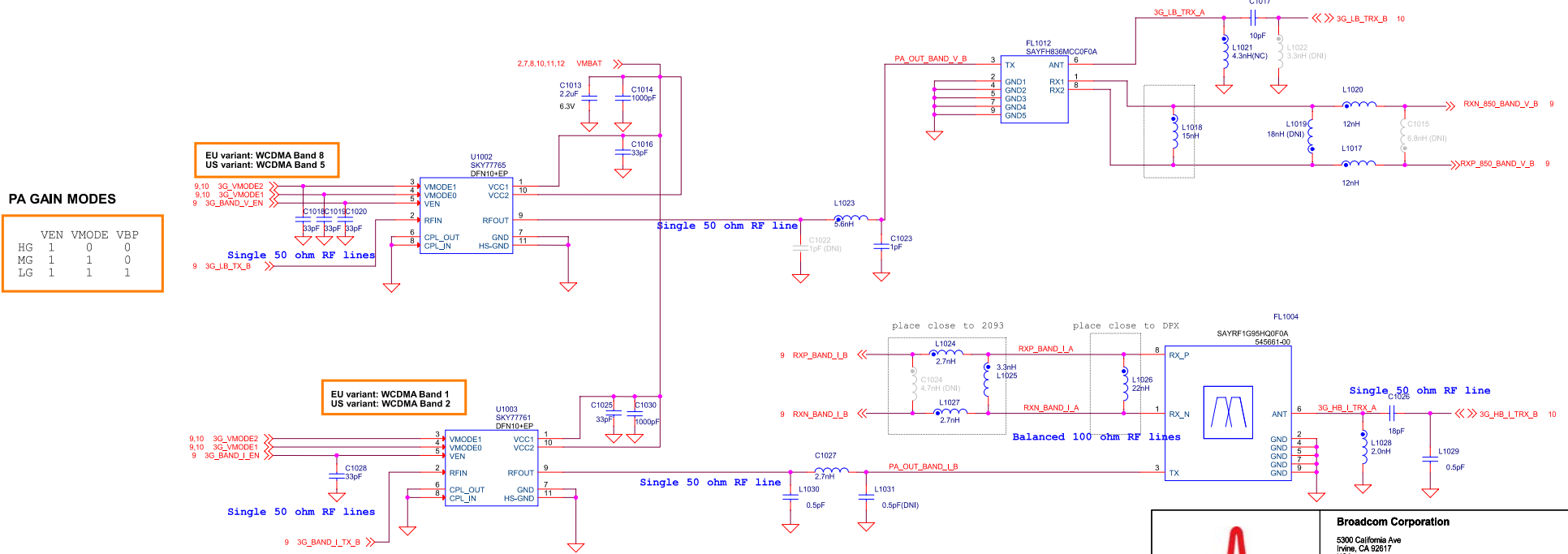



FEM Control logic

Mode	GPEN14	GPEN11	GPEN12	GPEN00
	2G_TX_EN	2G_MODE	2G_3G_BANDSEL1	2G_3G_BANDSEL2
Standby	0	0	0	0
LB_GMSK_TX	1	0	1	0
HB_GMSK_TX	1	0	0	1
3G_Band1	0	1	0	0
900 RX	0	0	1	0
850 RX/B5	0	1	1	0
1800/1900 RX	0	0	0	1

PA GAIN MODES

	VEN	VMODE	VBP
HG	1	0	0
MG	1	1	0
LG	1	1	1





Broadcom Corporation
 5300 California Ave
 Irvine, CA 92617
 USA

Java A25 : RF - 2/3G PA,FEM, ANT

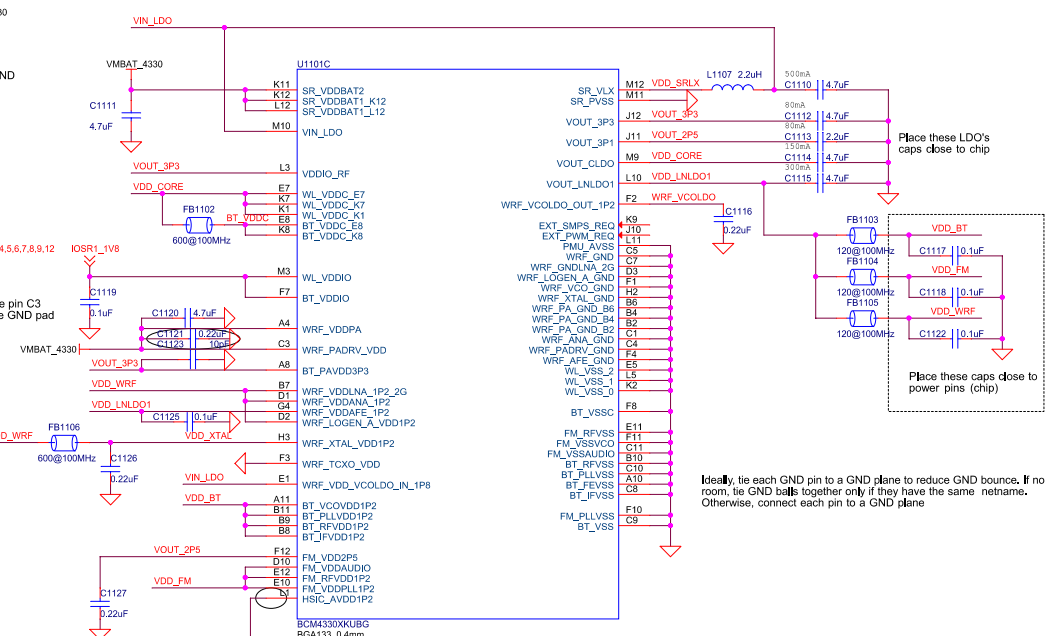
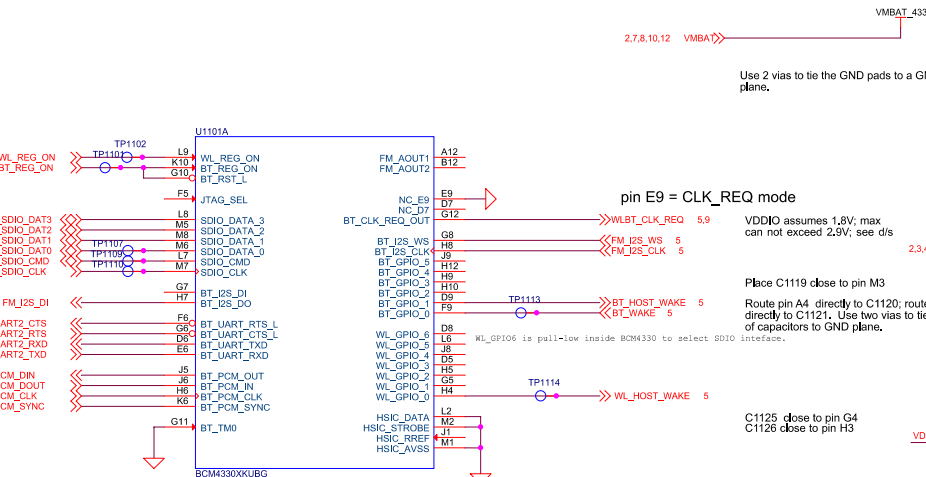
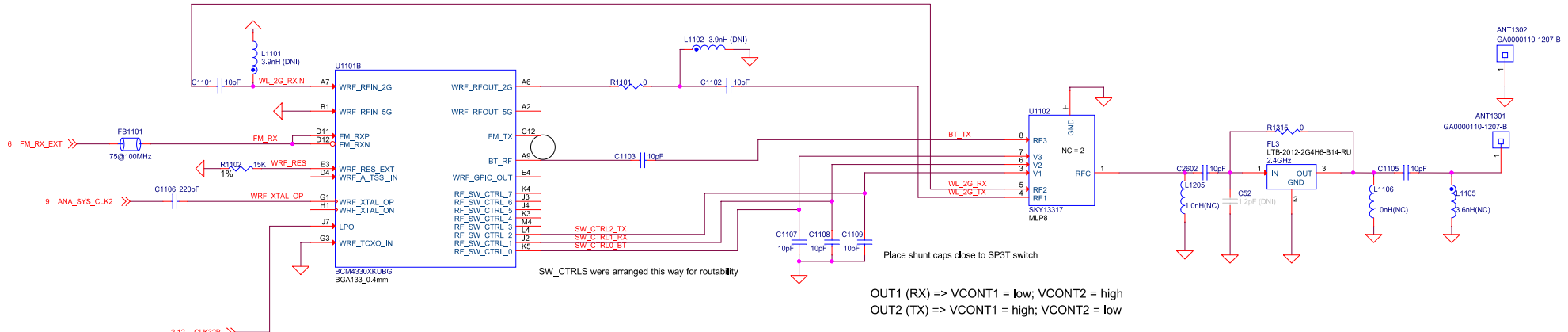
Size	DWG NO	Rev	
Custom	JAVA_A25_EDN010	01	


Scale	Sheet	10 of 13
-------	-------	----------

Wednesday, February 12, 2014

WLAN/BT/FM

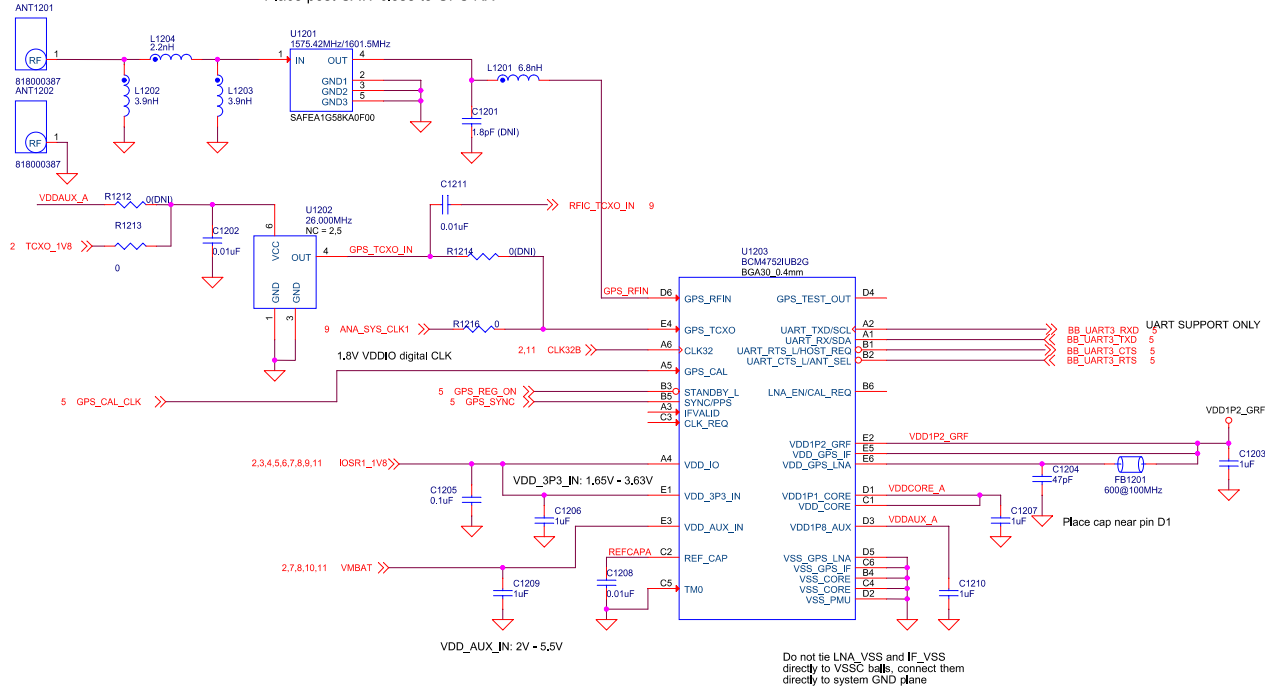
Dual-Band, Single Antenna



				Broadcom Corporation 5300 California Ave Irvine, CA 92617 USA			
				Java A25 : WLAN/BT/FM - BCM4330			
Size	Custom	DWG NO	JAVA_A25_EDN010		Rev	01	
Scale				Sheet	11 of 13		
Wednesday, February 12, 2014							

Remove any GND planes (L2 - L whatever) below OSC. place OSC further from chip to reduce thermal noise couplings

Place post-SAW close to GPS RX



		Broadcom Corporation 5300 California Ave Irvine, CA 92617 USA	
		Java A25 : GPS - BCM4752WLPGA	
Size	Custom	DWG NO	JAVA_A25_EDN010
Scale		Rev	01
Wednesday, February 12, 2014		Sheet	12 of 13