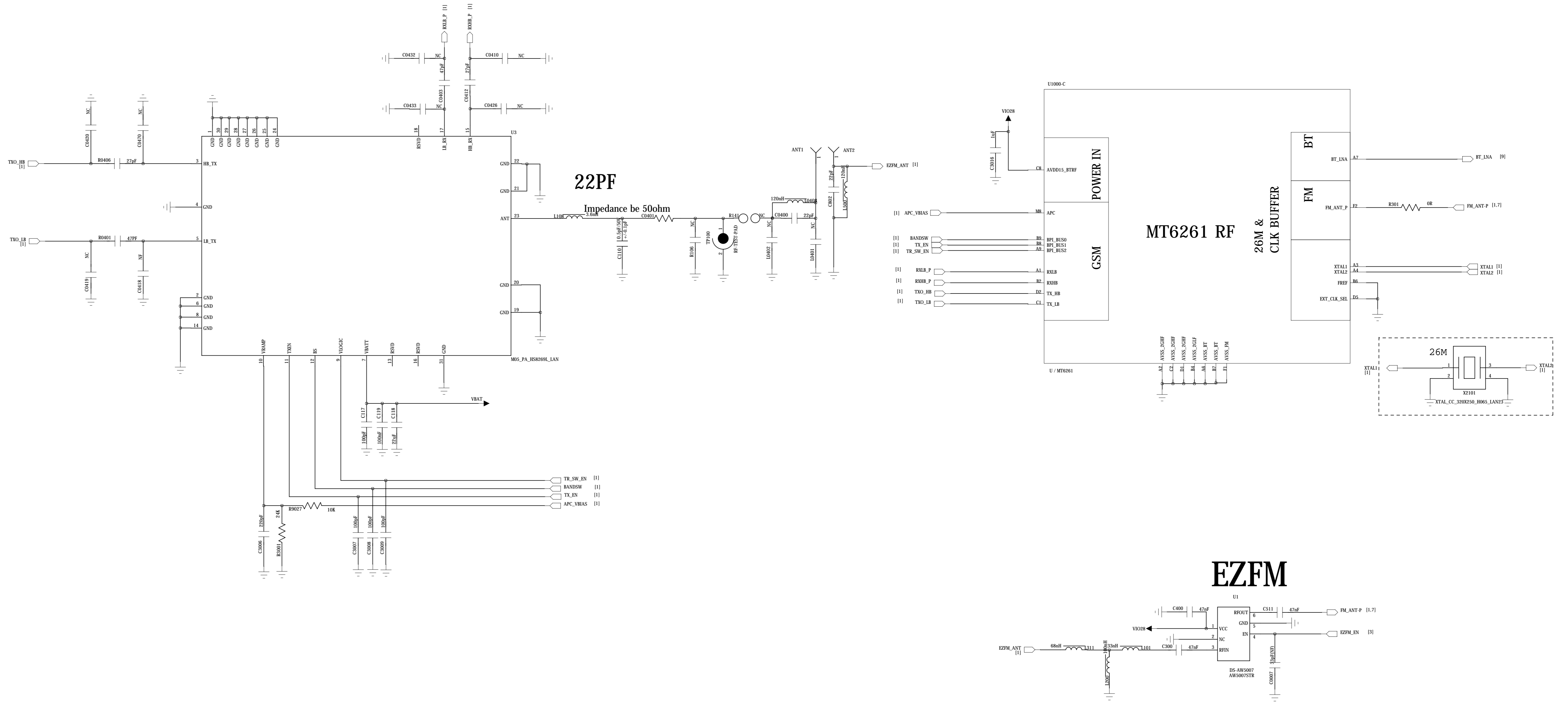
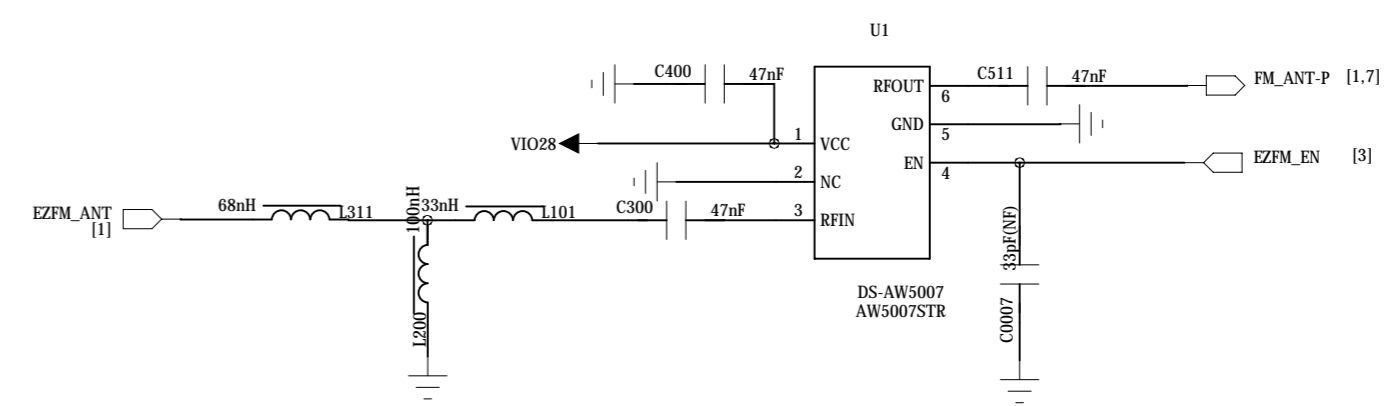


| REVISION RECORD | | | |
|-----------------|---------|-----------|-------|
| LTR | ECO NO. | APPROVED: | DATE: |
| | | | |
| | | | |
| | | | |

RF SWITCH & GSM PA

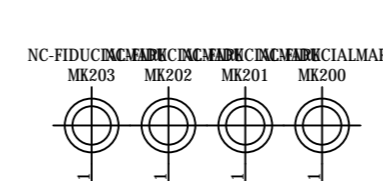
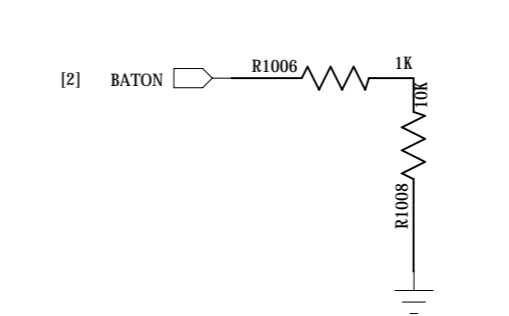
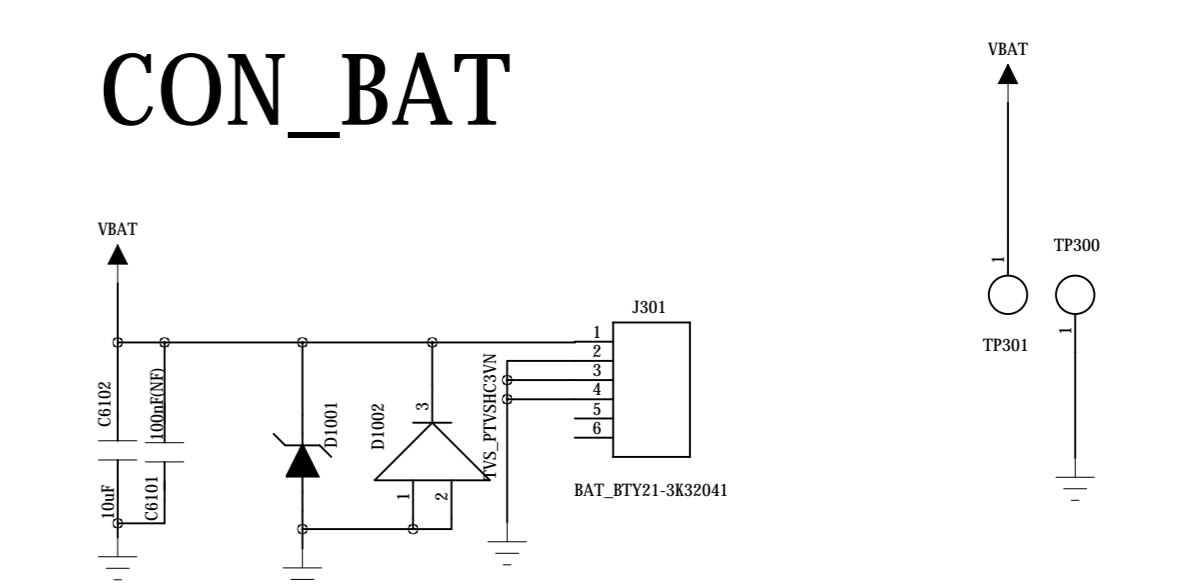
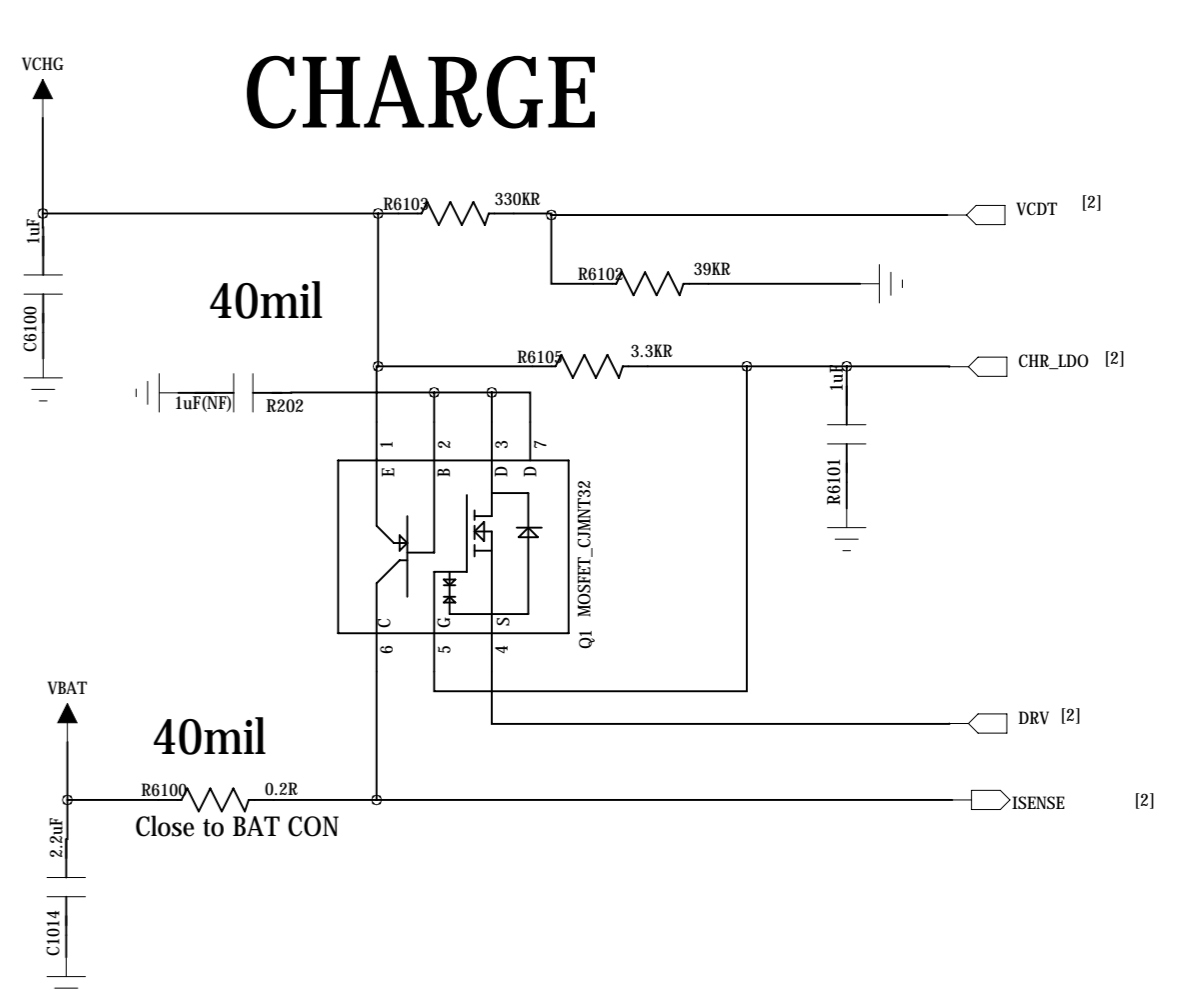
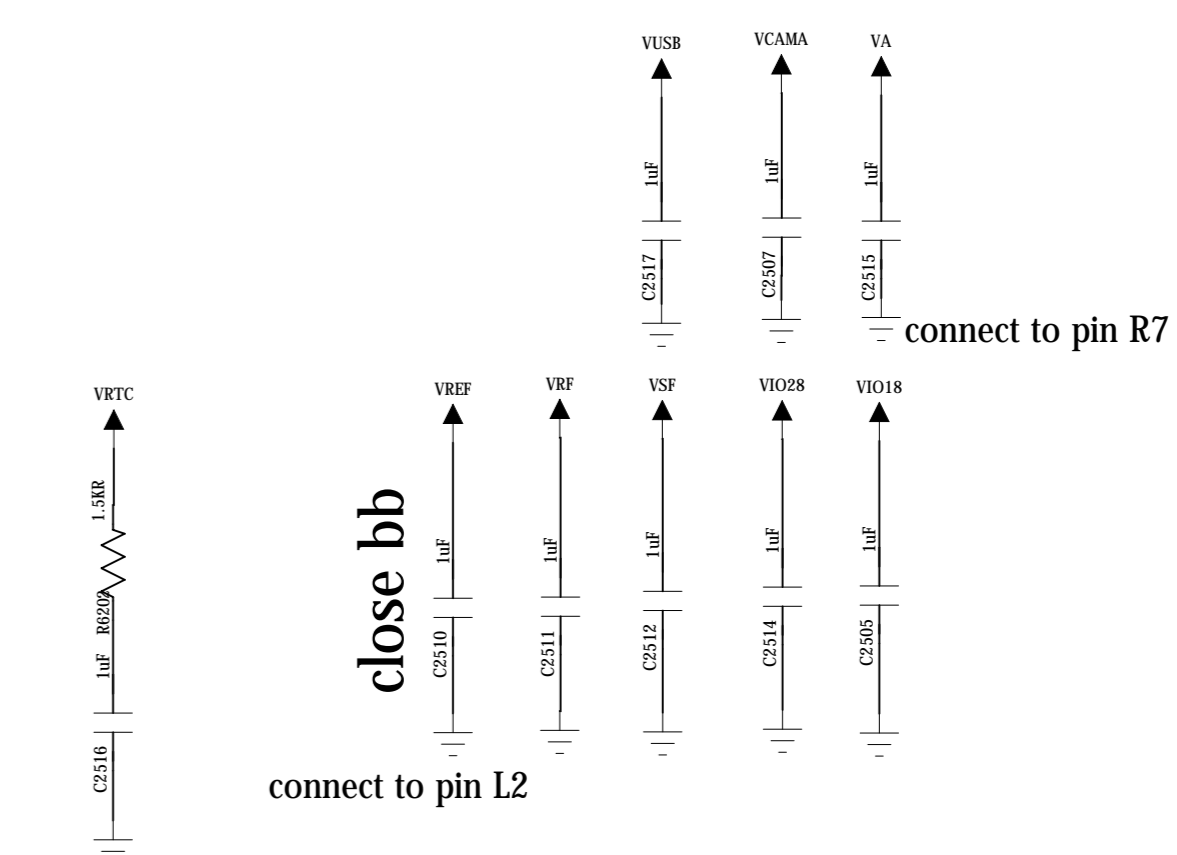
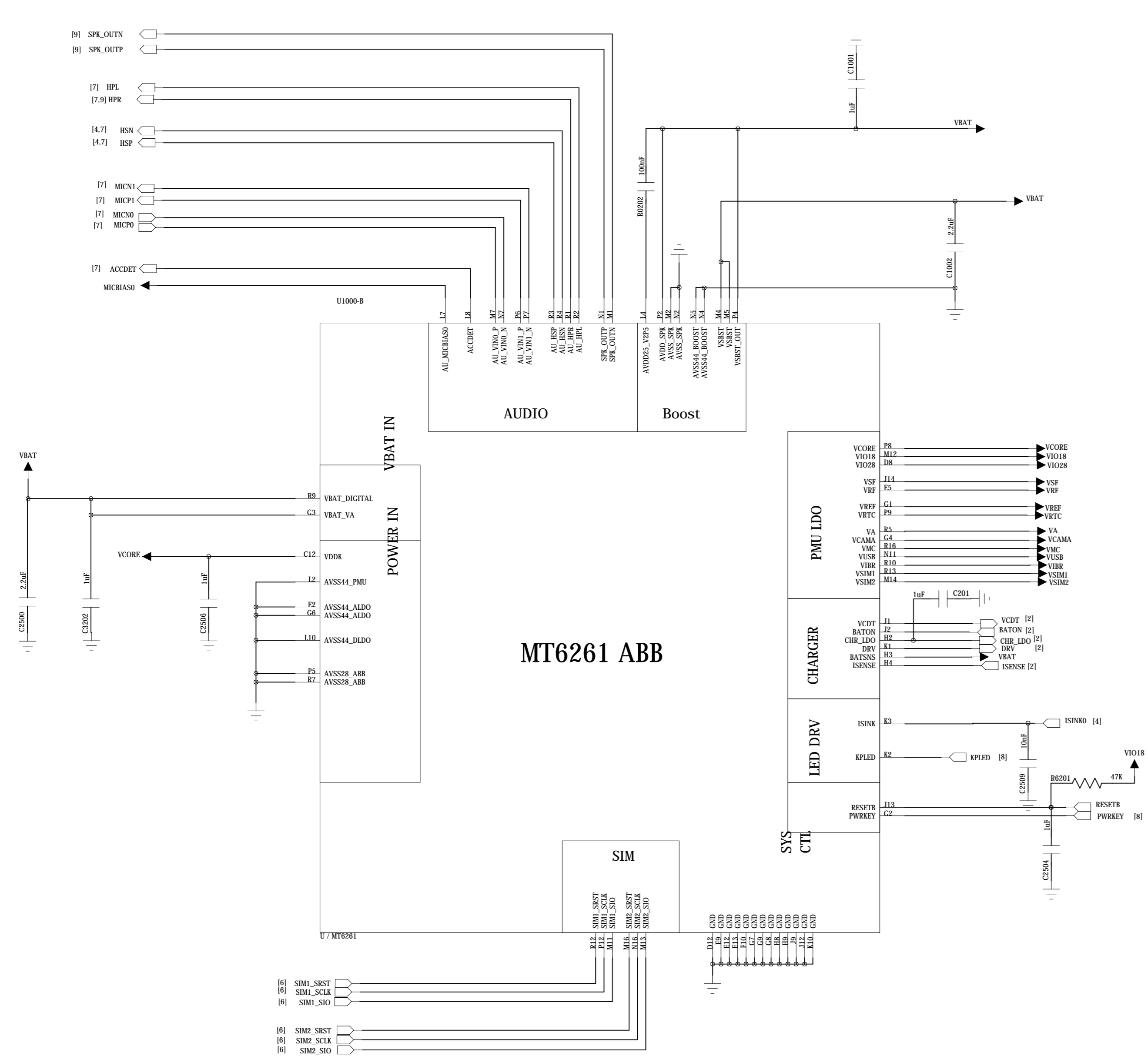


EZFM



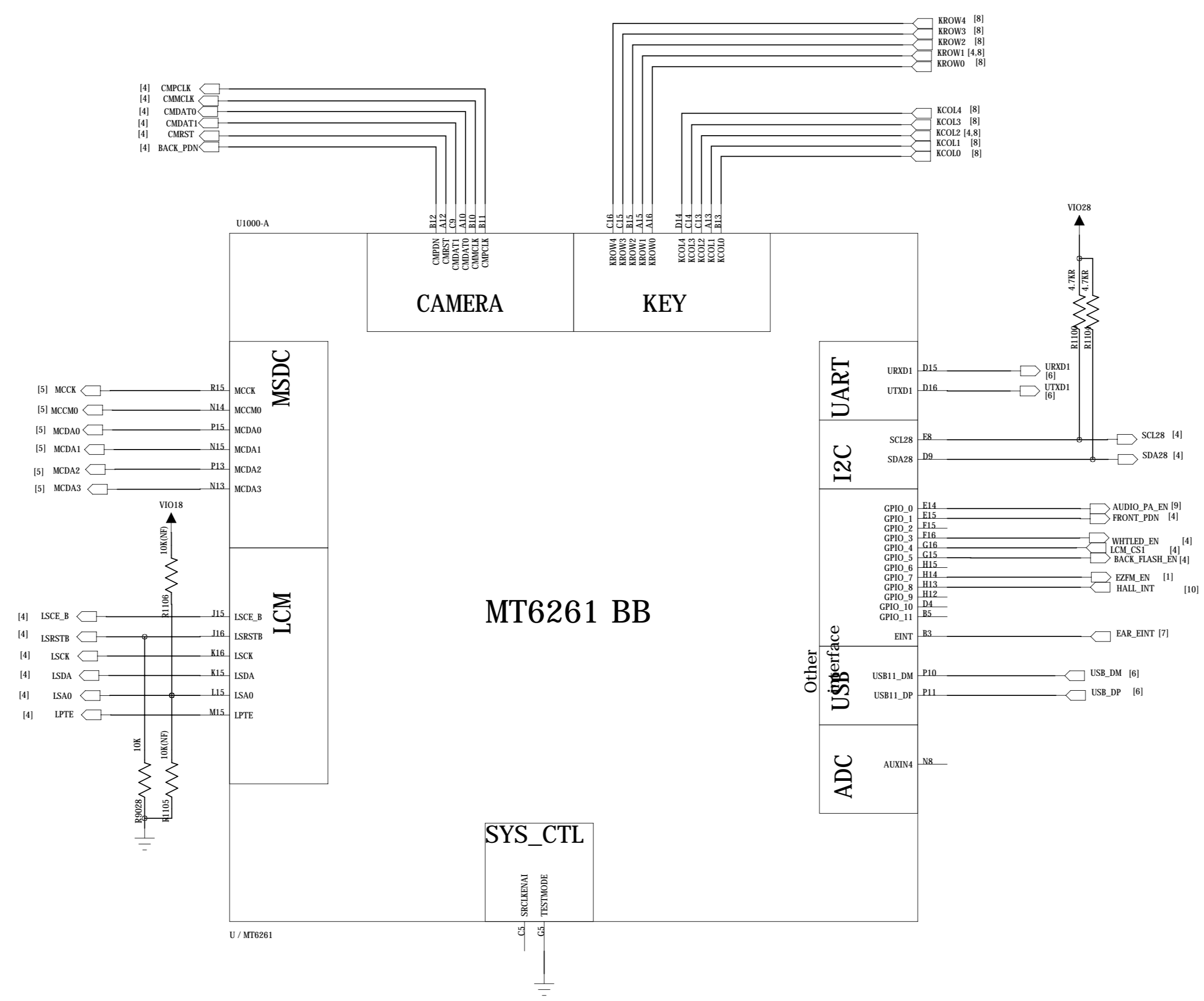
| | | | |
|-----------------------------|--------------------------|--|----------------|
| COMPANY: | | | |
| TITLE: | | | |
| DRAWN: <Drawn By> | DATED: <Drawn Date> | CODE: | SIZE: |
| CHECKED: <Checked By> | DATED: <Checked Date> | DRAWING NO: | REV: |
| QUALITY CONTROL: <QC By> | DATED: <QC Date> | <Code> A1 <Drawing Number x Revision> | |
| RELEASED: <Released By> | DATED: <Release Date> | SCALE: <Scale> | SHEET: OF 1 10 |

| REVISION RECORD | | | |
|-----------------|---------|-----------|-------|
| LTR | ECO NO: | APPROVED: | DATE: |
| | | | |
| | | | |
| | | | |



| | | | | | |
|--------------------------|--|-----------------------|--|---|----------|
| DRAWN: <Drawn By> | | DATED: <Drawn Date> | | COMPANY: | |
| CHECKED: <Checked By> | | DATED: <Checked Date> | | TITLE: | |
| QUALITY CONTROL: <QC By> | | DATED: <QC Date> | | CODE: <Code> | SIZE: A1 |
| RELEASED: <Released By> | | DATED: <Release Date> | | DRAWING NO: <Drawing Number> REVISION: <Revision> | |
| SCALE: <Scale> | | SHEET: OF 2 10 | | | |

| REVISION RECORD | | | |
|-----------------|---------------------|-----------|-------|
| LTR | ECO NO: | APPROVED: | DATE: |
| 2013-1-12 | C323 0805 4~7_A0003 | | |
| | | | |
| | | | |

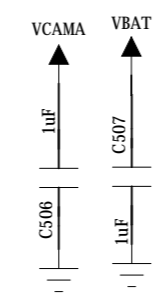
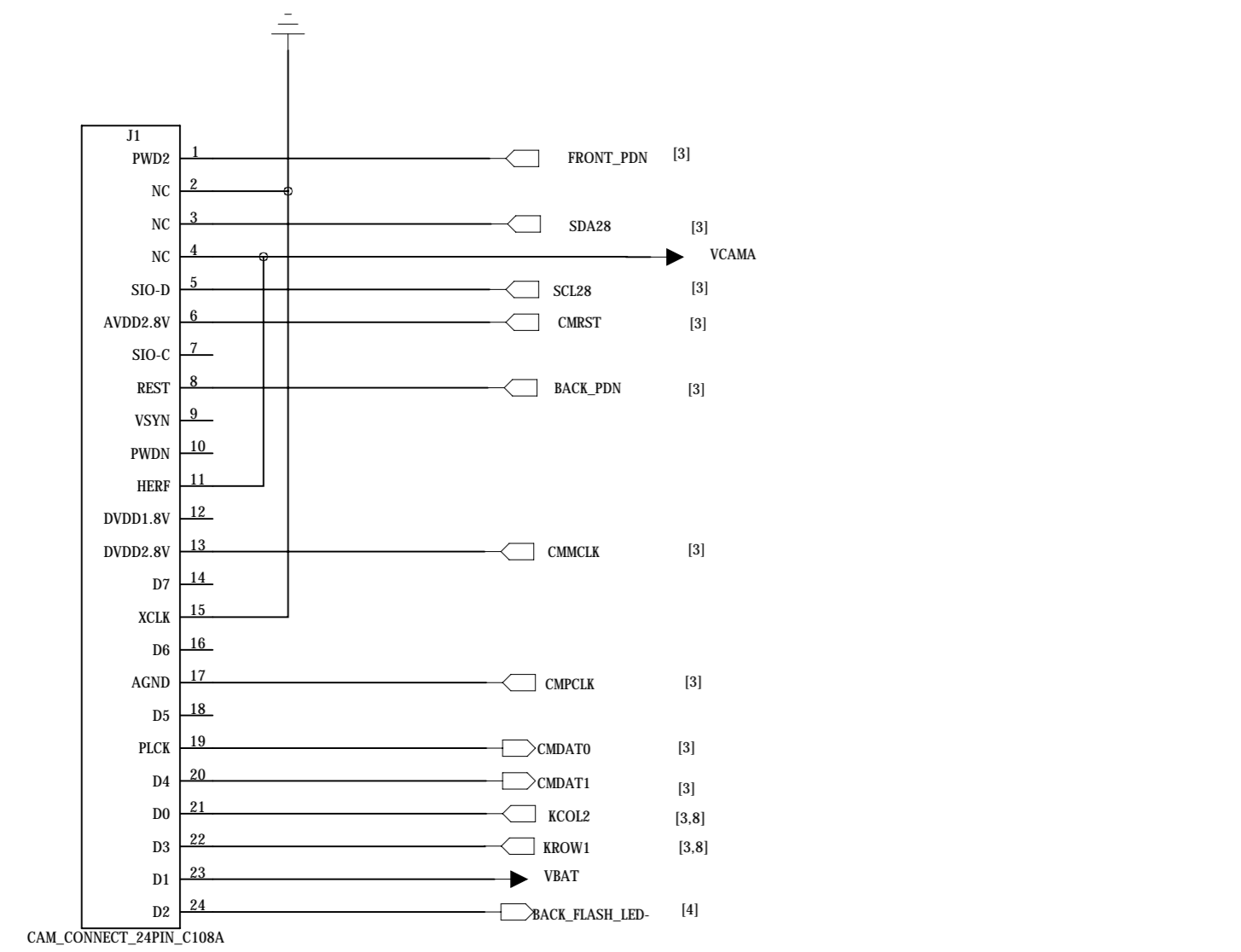


| | | | |
|-----------------------------|--------------------------|----------------|-------|
| COMPANY: | | | |
| TITLE: | | | |
| DRAWN: <Drawn By> | DATED: <Drawn Date> | | |
| CHECKED: <Checked By> | DATED: <Checked Date> | CODE: | SIZE: |
| QUALITY CONTROL: <QC By> | DATED: <QC Date> | DRAWING NO: | |
| RELEASED: <Released By> | DATED: <Release Date> | REV: | |
| SCALE: <Scale> | | SHEET: OF 3 10 | |

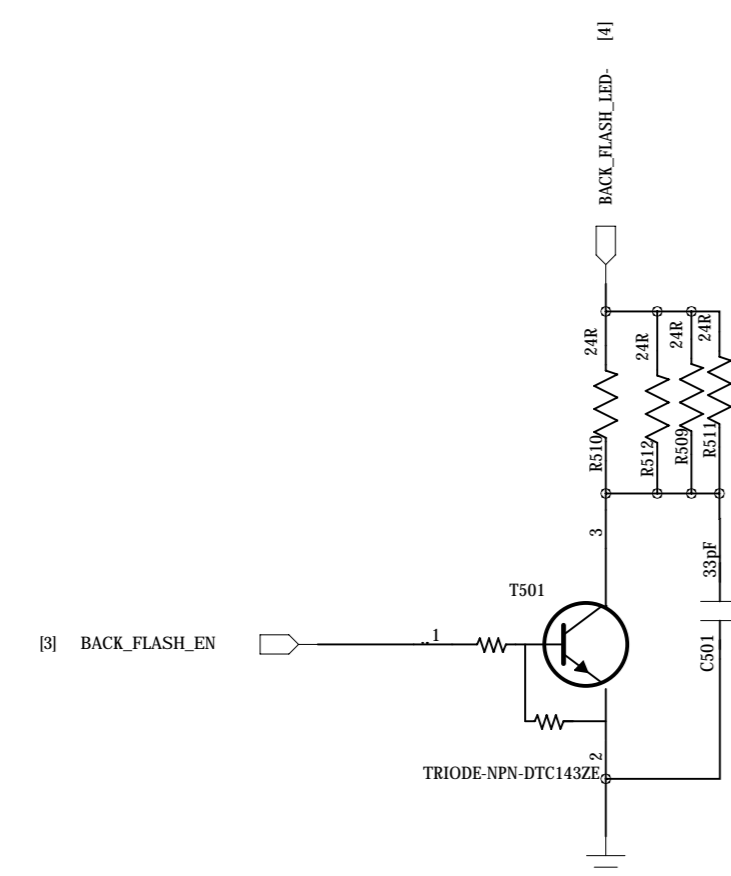
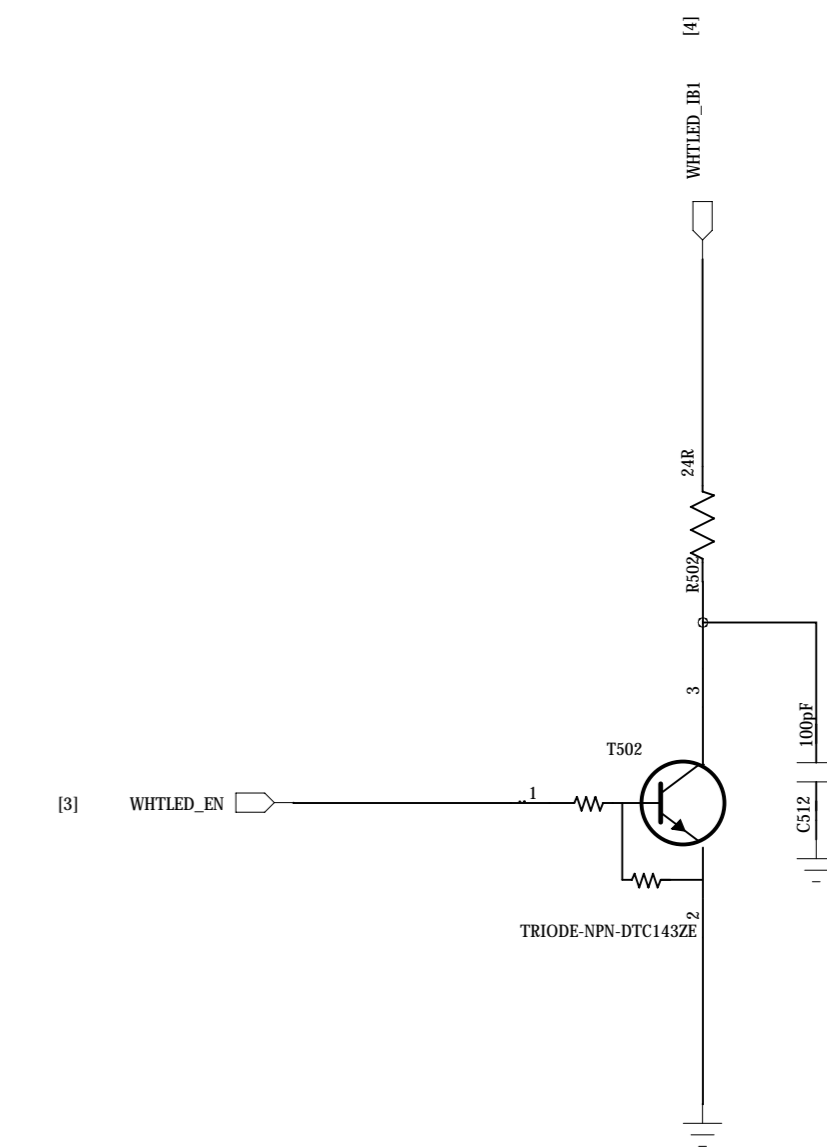
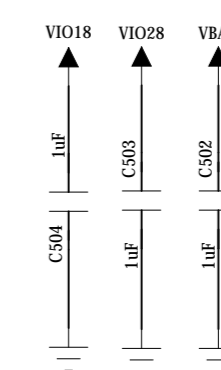
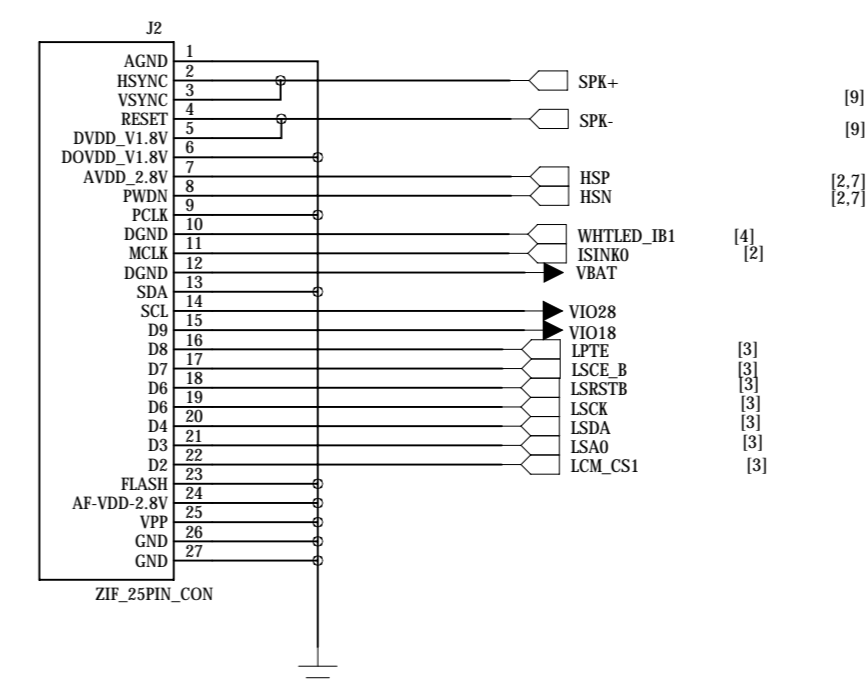
<Code> A1 <Drawing Number> <Revision>

| REVISION RECORD | | | |
|-----------------|------------|-----------|-------|
| LTR | ECO NO. | APPROVED: | DATE: |
| 2013-1-12 | 06/07PA-00 | | |
| | | | |
| | | | |

VCAMA=2.8V



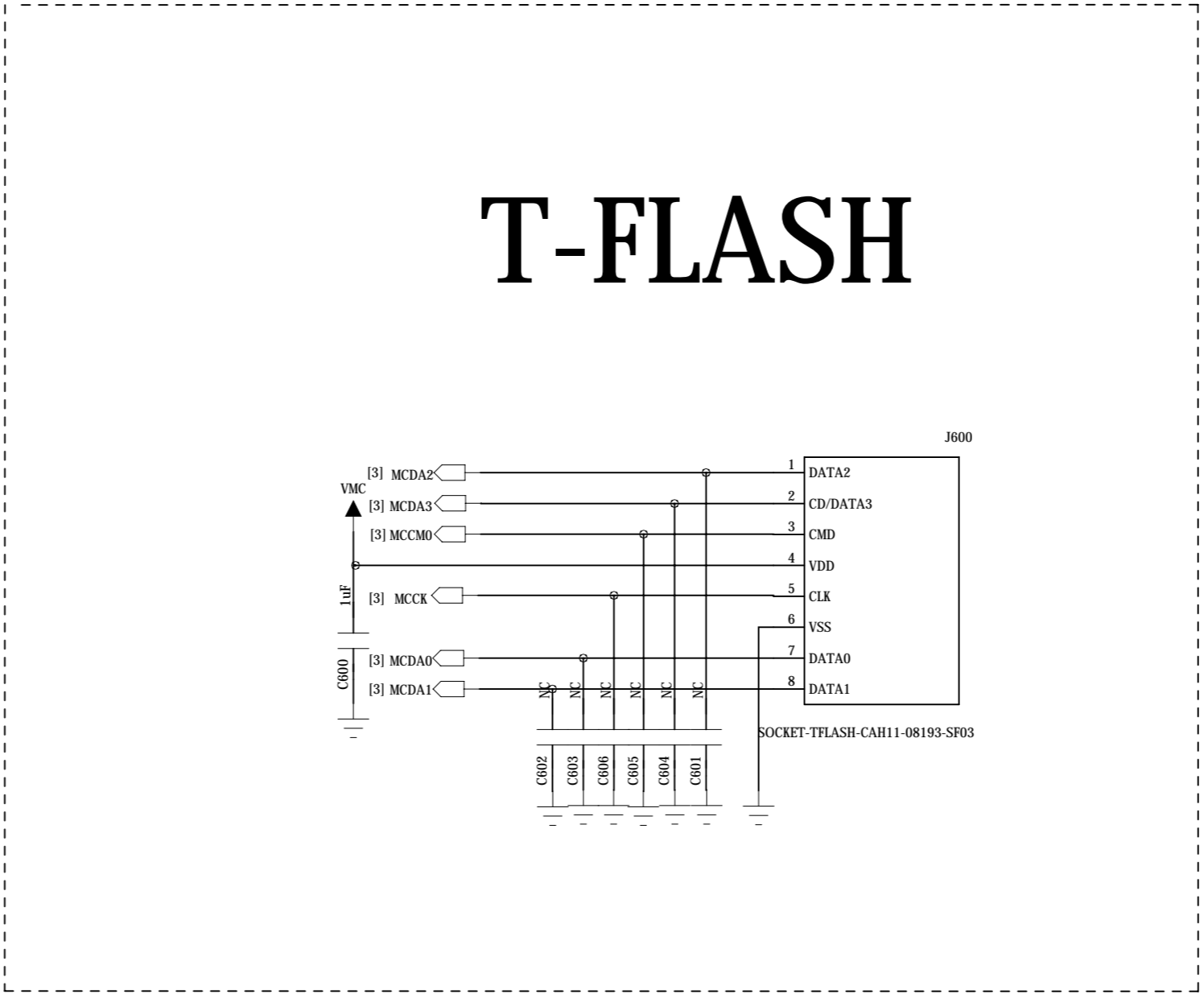
LCM



| | | | |
|------------------|----------------|---------------------------------------|----------------|
| COMPANY: | | | |
| TITLE: | | | |
| DRAWN: | DATED: | | |
| <Drawn By> | <Drawn Date> | | |
| CHECKED: | DATED: | CODE: | SIZE: |
| <Checked By> | <Checked Date> | <Code> | A1 |
| QUALITY CONTROL: | DATED: | DRAWING NO: <Drawing Number> Revision | |
| <QC By> | <QC Date> | | |
| RELEASED: | DATED: | SCALE: <Scale> | SHEET: OF 4 10 |
| <Released By> | <Release Date> | | |

| REVISION RECORD | | | |
|-----------------|---------|-----------|-------|
| LTR | ECO NO. | APPROVED: | DATE: |
| | | | |
| | | | |
| | | | |

T-FLASH

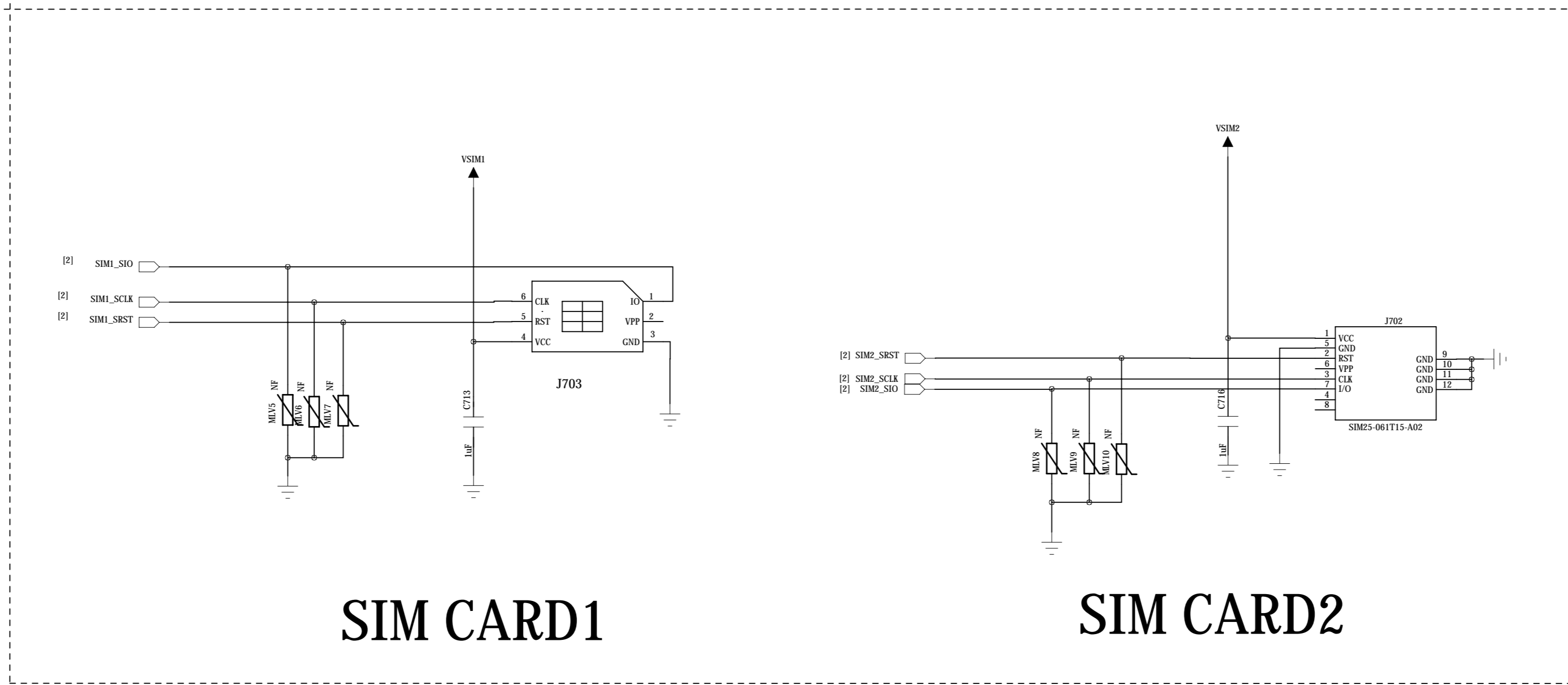


COMPANY:

TITLE:

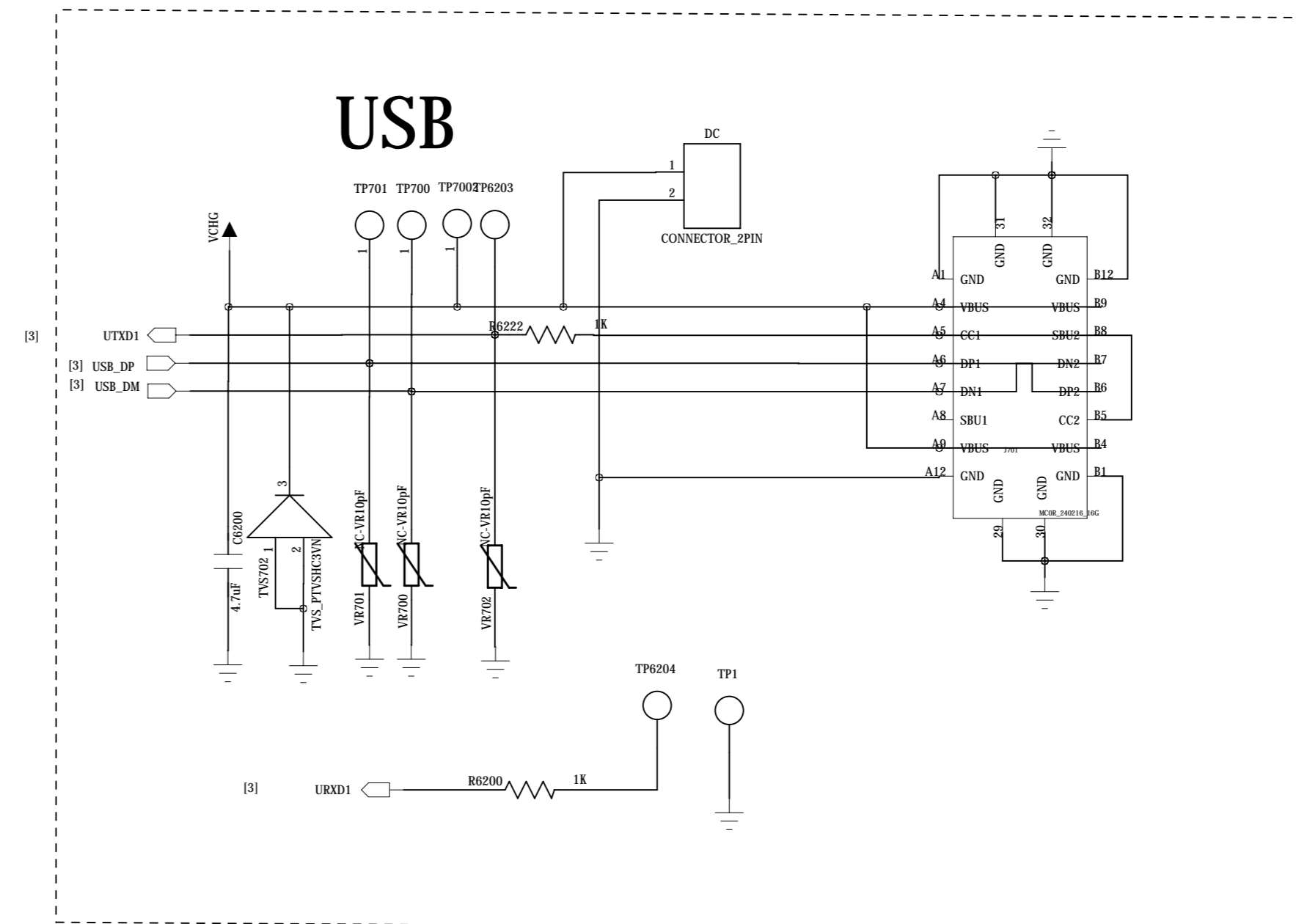
| | | | | | |
|-----------------------------|--------------------------|------------------------------|--------------------|--|---------------------------------|
| DRAWN: <Drawn By> | DATED: <Drawn Date> | CODE: <Code> | SIZE: A1 | DRAWING NO: <Drawing Number> | REV: <Revision> |
| CHECKED: <Checked By> | DATED: <Checked Date> | | | | |
| QUALITY CONTROL: <QC By> | DATED: <QC Date> | | | | |
| RELEASED: <Released By> | DATED: <Release Date> | | | | |
| SCALE: <Scale> | | SHEET: OF 5 10 | | | |

| REVISION RECORD | | | |
|-----------------|---------|-----------|-------|
| LTR | ECO NO. | APPROVED: | DATE: |
| | | | |
| | | | |
| | | | |



SIM CARD1

SIM CARD2



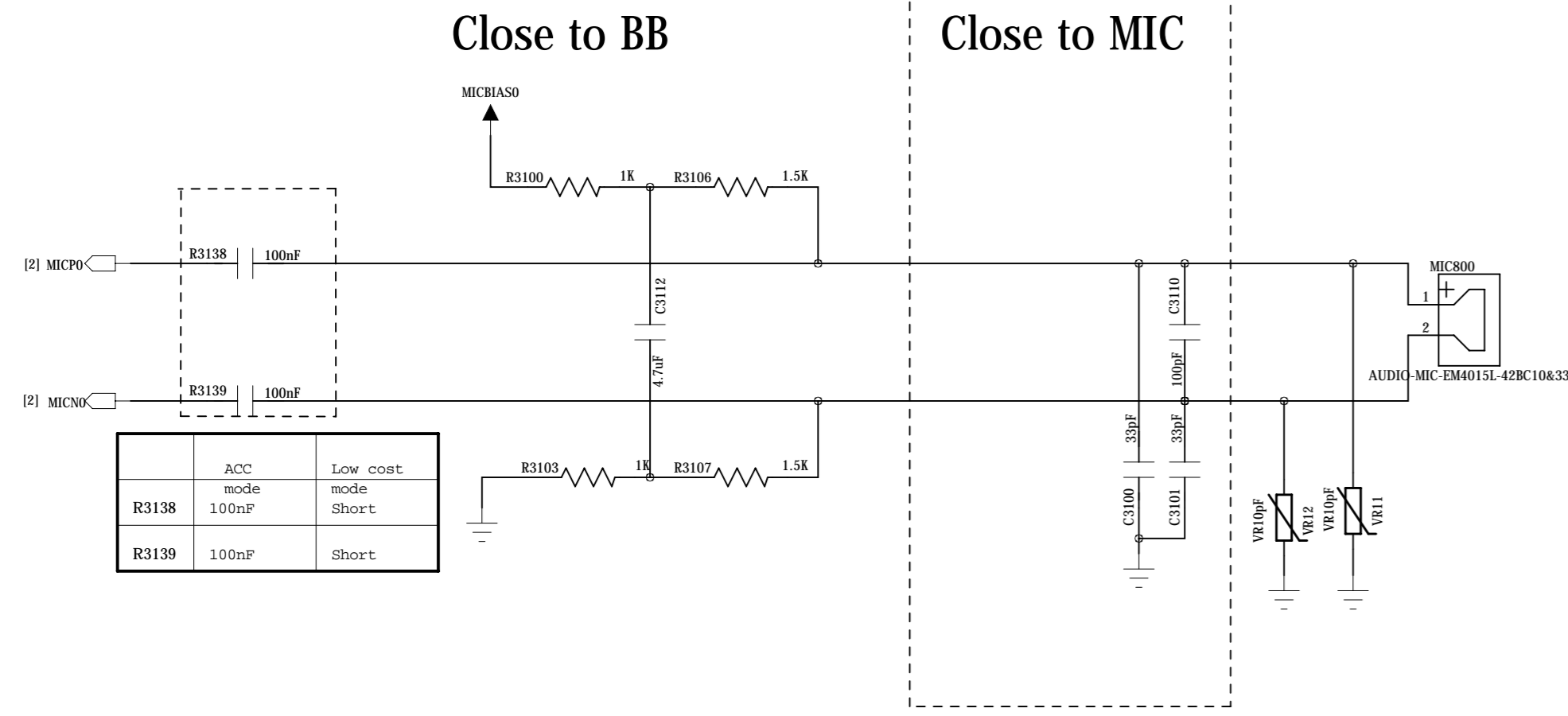
USB

| | | | |
|-----------------------------|--------------------------|--------------------------------|----------------|
| COMPANY: | | | |
| TITLE: | | | |
| DRAWN: <Drawn By> | DATED: <Drawn Date> | DRAWING NO: | |
| CHECKED: <Checked By> | DATED: <Checked Date> | CODE: | REVISION: |
| QUALITY CONTROL: <QC By> | DATED: <QC Date> | A1 <Drawing Number x Revision> | |
| RELEASED: <Released By> | DATED: <Release Date> | SCALE: <Scale> | SHEET: OF 6 10 |

6

5

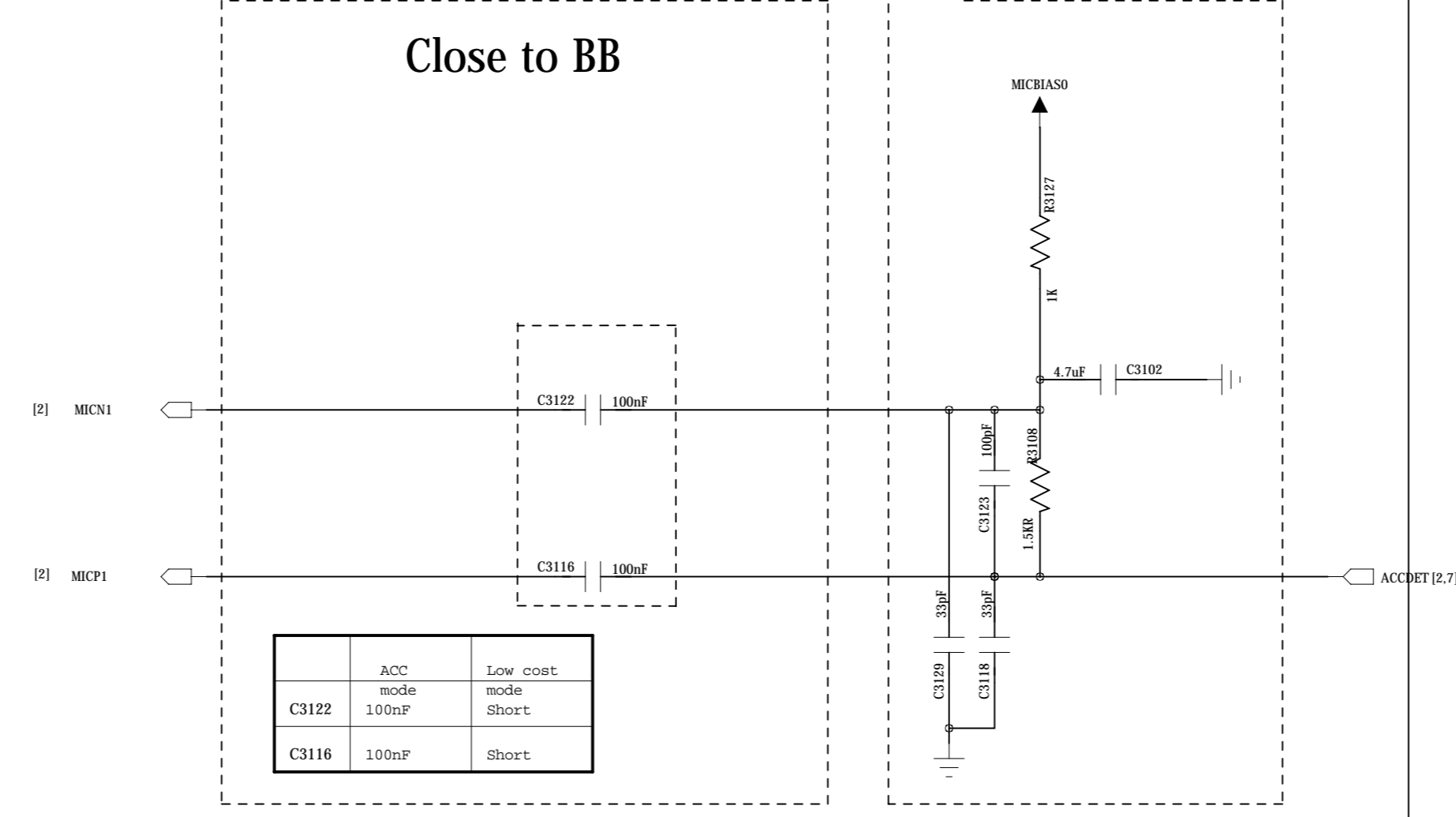
MAIN MIC



4

3

HEAD MIC

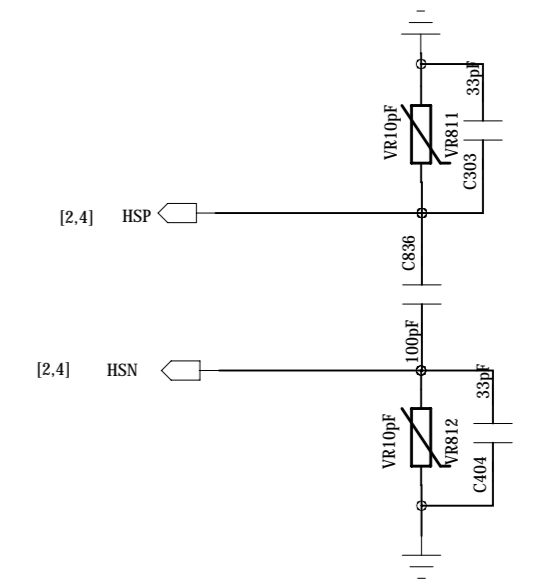


2

1

| REVISION RECORD | | | |
|-----------------|---------|-----------|-------|
| LTR | ECO NO. | APPROVED: | DATE: |
| | | | |
| | | | |
| | | | |

RECEIVER



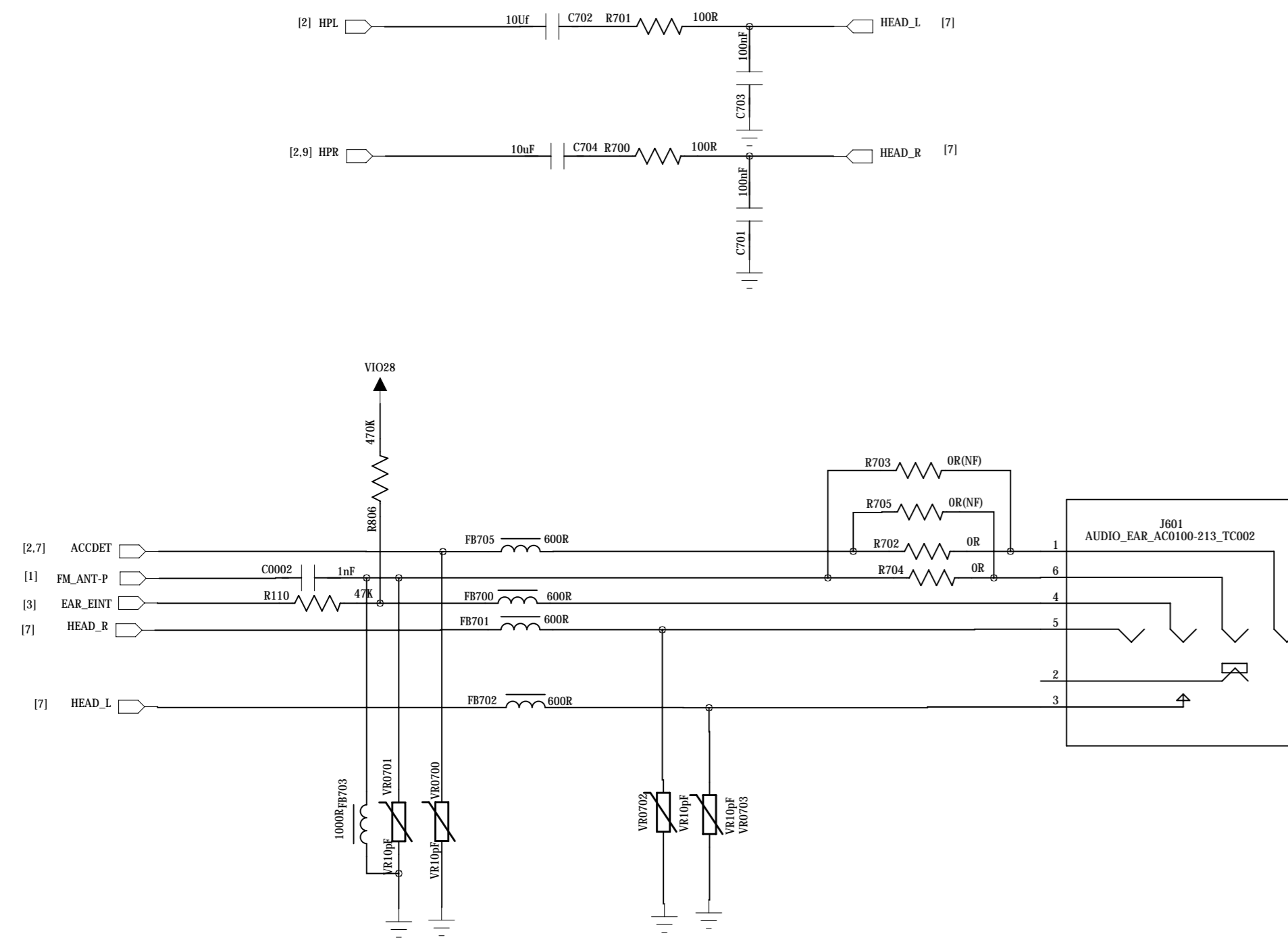
D

D

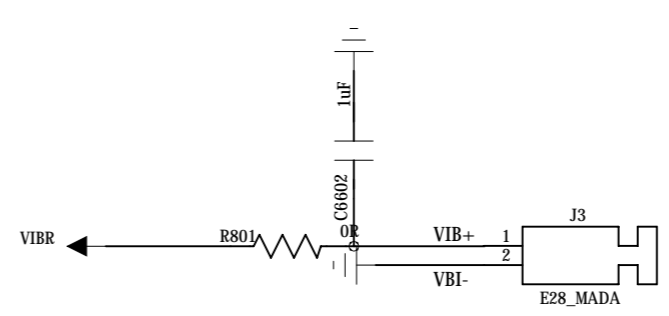
C

C

Headphone Jack



VIB



B

B

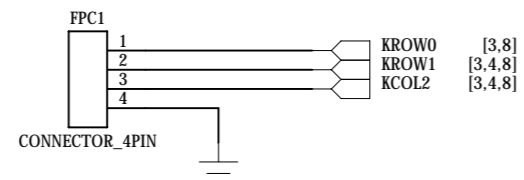
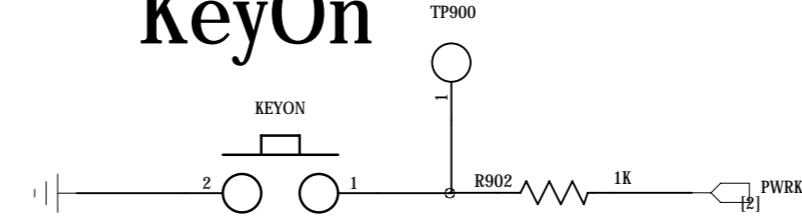
A

A

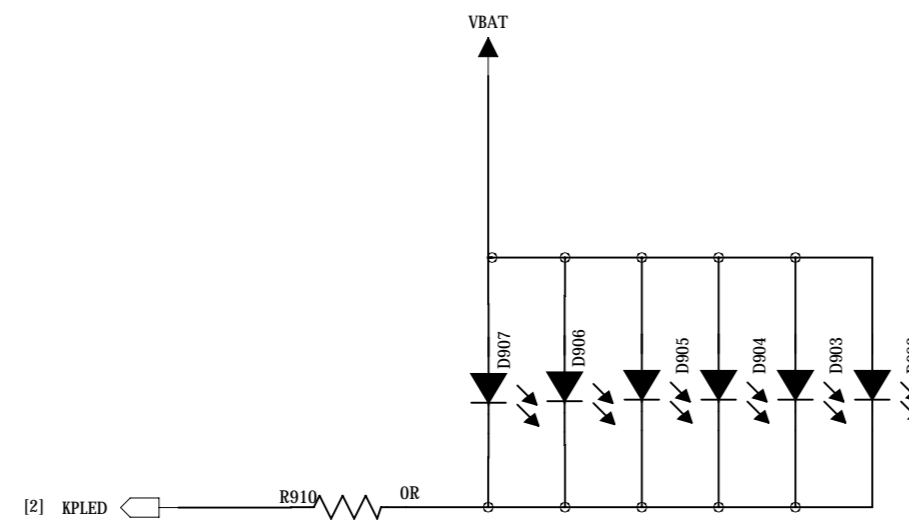
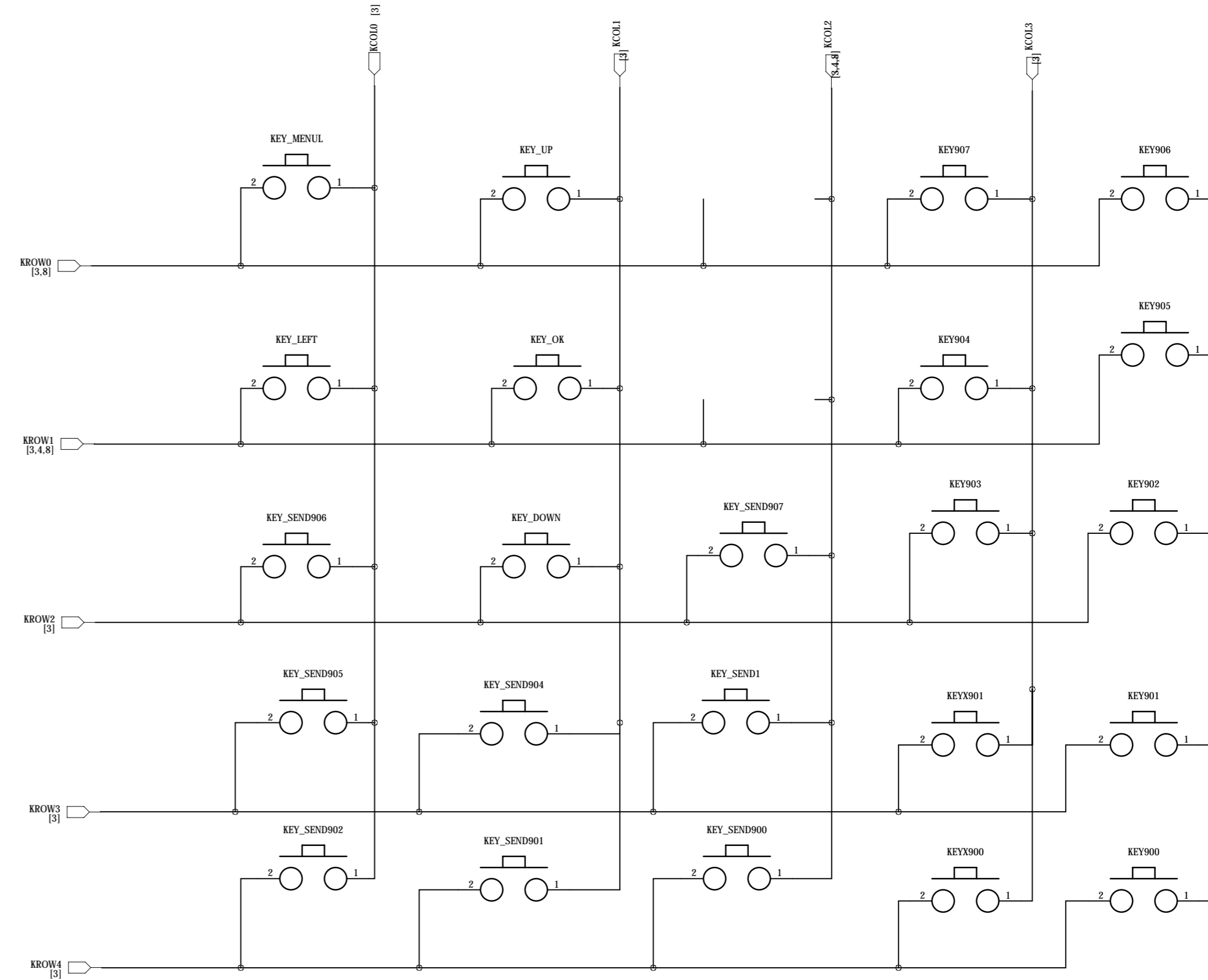
| | | | |
|-----------------------------|--------------------------|--|----------------|
| COMPANY: | | | |
| TITLE: | | | |
| DRAWN: <Drawn By> | DATED: <Drawn Date> | CODE: | SIZE: |
| CHECKED: <Checked By> | DATED: <Checked Date> | DRAWING NO: | REV: |
| QUALITY CONTROL: <QC By> | DATED: <QC Date> | <Code> A1 <Drawing Number>×<Revision> | |
| RELEASED: <Released By> | DATED: <Release Date> | SCALE: <Scale> | SHEET: OF 7 10 |

| REVISION RECORD | | | |
|-----------------|---------|-----------|-------|
| LTR | ECO NO. | APPROVED: | DATE: |
| | | | |
| | | | |
| | | | |

KeyOn



KEYPAD



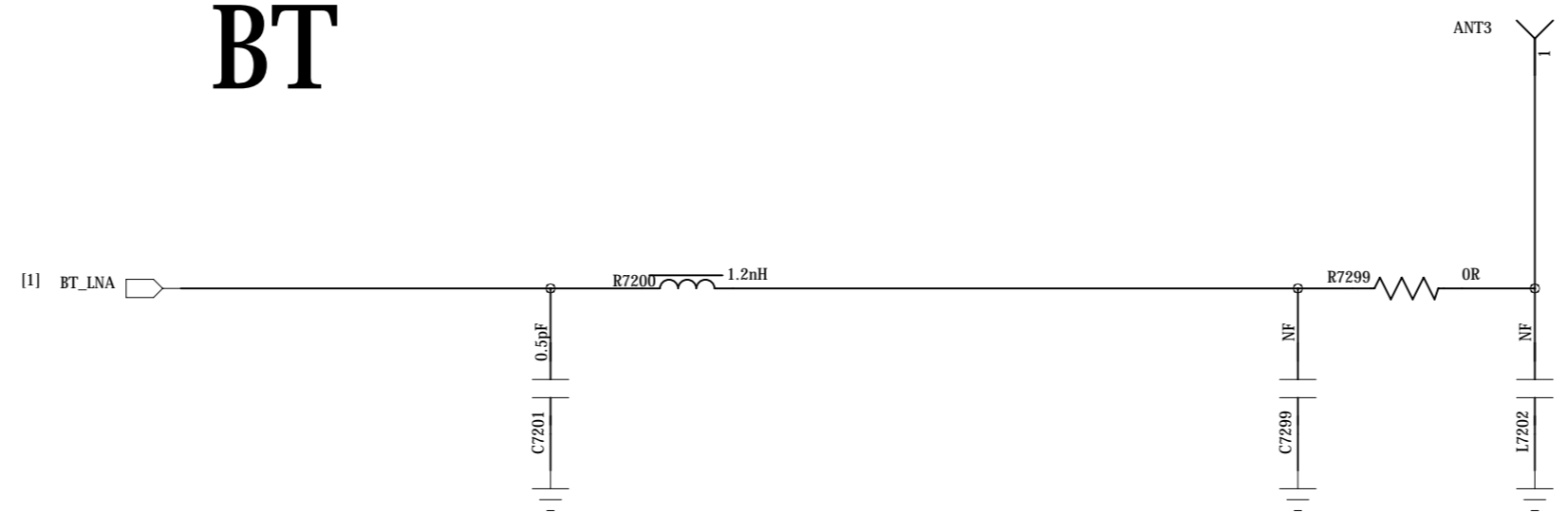
| | | | |
|-----------------------------|--------------------------|----------------|-------|
| COMPANY: | | | |
| TITLE: | | | |
| DRAWN: <Drawn By> | DATED: <Drawn Date> | CODE: | SIZE: |
| CHECKED: <Checked By> | DATED: <Checked Date> | DRAWING NO.: | |
| QUALITY CONTROL: <QC By> | DATED: <QC Date> | REV.: | |
| RELEASED: <Released By> | DATED: <Release Date> | SCALE: <Scale> | |

| | |
|--|--|
| | |
| | |
| | |
| | |

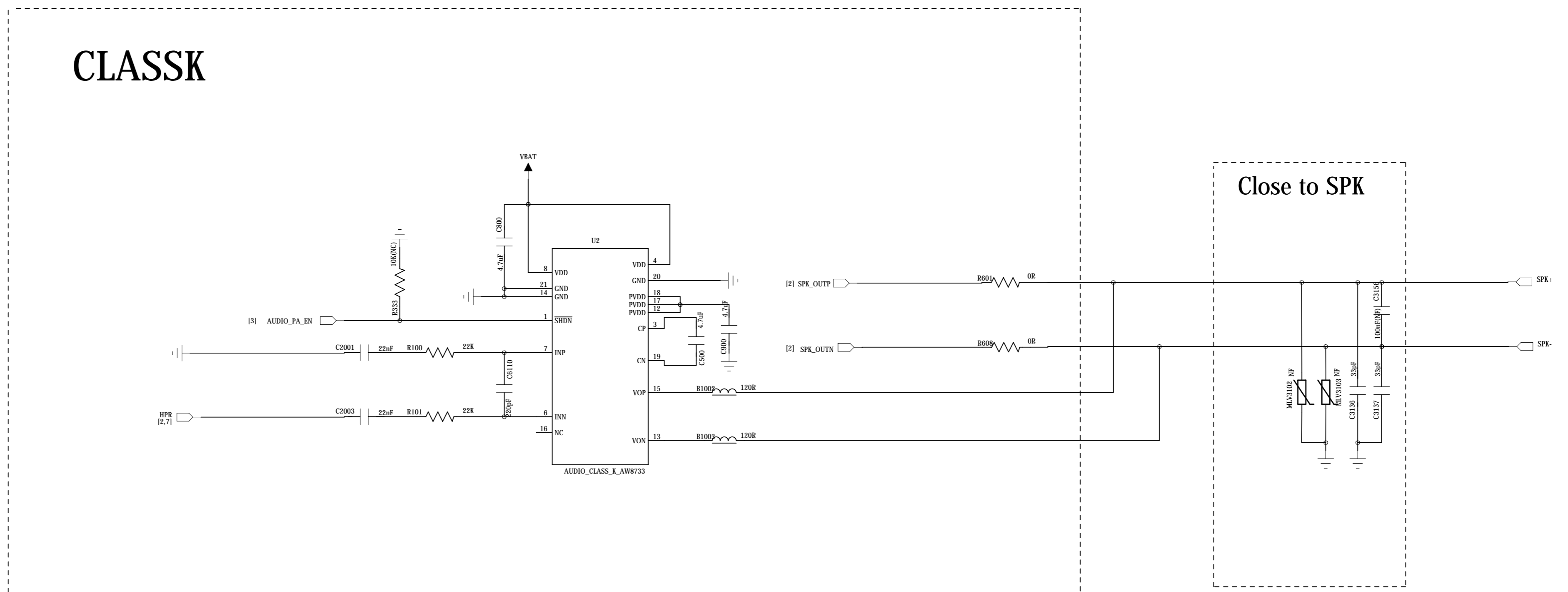
| | | | |
|--------------------------------|--|-----------|------|
| A1 <Drawing Number x Revision> | | SHEET: OF | 8 10 |
|--------------------------------|--|-----------|------|

| REVISION RECORD | | | |
|-----------------|---------|-----------|-------|
| ITER | ECO NO. | APPROVED: | DATE: |
| | | | |
| | | | |
| | | | |

BT



CLASSK



COMPANY:

TITLE:

| | | | |
|------------------|---------------|--------|----------------|
| DRAWN: | <Drawn By> | DATED: | <Drawn Date> |
| CHECKED: | <Checked By> | DATED: | <Checked Date> |
| QUALITY CONTROL: | <QC By> | DATED: | <QC Date> |
| RELEASED: | <Released By> | DATED: | <Release Date> |

| | | | |
|----------------|-------|------------------|------------|
| CODE: | SIZE: | DRAWING NO.: | REV: |
| <Code> | A1 | <Drawing Number> | <Revision> |
| SCALE: <Scale> | | SHEET: OF 9 10 | |

6

5

4

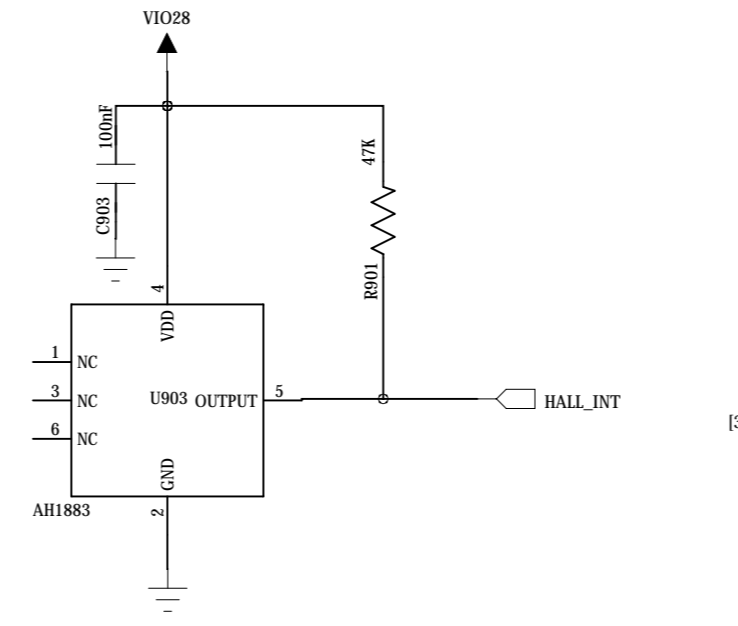
3

2

1

| REVISION RECORD | | | |
|-----------------|---------|-----------|-------|
| LTR | ECO NO: | APPROVED: | DATE: |
| | | | |
| | | | |
| | | | |

HALL



[S]

| | | | |
|--------------------------|-----------------------|--|-----------------|
| COMPANY: <Company Name> | | | |
| TITLE: <TITLE> | | | |
| DRAWN: <Drawn By> | DATED: <Drawn Date> | CODE: <Code> | SIZE: A1 |
| CHECKED: <Checked By> | DATED: <Checked Date> | DRAWING NO: <Drawing Number> x Revision <Revision> | |
| QUALITY CONTROL: <QC By> | DATED: <QC Date> | SCALE: <Scale> | REV: <Revision> |
| RELEASED: <Released By> | DATED: <Release Date> | SHEET: 10 10 | |