



Shenzhen Global Test Service Co.,Ltd.

No.7-101 and 8A-104,Building 7 and 8,DCC Cultural and Creative Garden No.98,Pingxin North Road,Shangmugu,Pinghu Street, Longgang District,Shenzhen,Guangdong,China

TEST REPORT

FCC Part 27

Report Reference No......: **GTS20201218008-1-5**

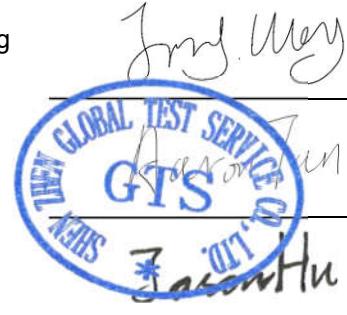
FCC ID.....: **O55104320**

Compiled by
(position+printed name+signature) .: File administrators Jimmy Wang

Supervised by
(position+printed name+signature) .: Test Engineer Aaron Tan

Approved by
(position+printed name+signature) .: Manager Jason Hu

Date of issue.....: Dec.19, 2020



Testing Laboratory Name: **Shenzhen Global Test Service Co.,Ltd.**

Address: No.7-101 and 8A-104,Building 7 and 8,DCC Cultural and Creative Garden No.98,Pingxin North Road,Shangmugu,Pinghu Street, Longgang District,Shenzhen,Guangdong,China

Applicant's name.....: **SWAGTEK**

Address: 10205 NW 19th St. STE101, Miami, Florida, United States, 33172

Test specification

Standard: **FCC CFR Title 47 Part 2, Part 27**
ANSI/TIA-603-E-2016
KDB 971168 D01

Shenzhen Global Test Service Co.,Ltd. All rights reserved.

This publication may be reproduced in whole or in part for non-commercial purposes as long as the Shenzhen Global Test Service Co.,Ltd. is acknowledged as copyright owner and source of the material. Shenzhen Global Test Service Co.,Ltd.takes no responsibility for and will not assume liability for damages resulting from the reader's interpretation of the reproduced material due to its placement and context.

Test item description.....: 10.1 inch 4G Tablet

Trade Mark: LOGIC, iSWAG, UNONU

Manufacturer.....: **SWAGTEK**

Model/Type reference.....: T10L

Listed Models: Stream 10, NT10

Ratings: DC 3.8V from battery

Modulation: QPSK, 16QAM

Hardware version: SF960C-G-MB-V1.0

Software version: LOGIC_T10L_TIGO_18092020

Frequency.....: E-UTRA FDD Band 4, 5, 7, 12

Result.....: **PASS**

TEST REPORT

Test Report No. :	GTS20201218008-1-5	Dec.19, 2020
		Date of issue

Equipment under Test : 10.1 inch 4G Tablet

Model /Type : T10L

Listed Models : Stream 10, NT10

Applicant : **SWAGTEK**

Address : 10205 NW 19th St. STE101, Miami, Florida, United States, 33172

Manufacturer : **SWAGTEK**

Address : 10205 NW 19th St. STE101, Miami, Florida, United States, 33172

Test result	Pass *
--------------------	---------------

* In the configuration tested, the EUT complied with the standards specified page 4.

The test report merely corresponds to the test sample.

It is not permitted to copy extracts of these test result without the written permission of the test laboratory.

Contents

- 1 SUMMARY4**
- 1.1 TEST STANDARDS4
- 1.2 TEST DESCRIPTION4
- 1.3 ADDRESS OF THE TEST LABORATORY5
- 1.4 TEST FACILITY5
- 1.5 STATEMENT OF THE MEASUREMENT UNCERTAINTY5
- 2 GENERAL INFORMATION6**
- 2.1 ENVIRONMENTAL CONDITIONS.....6
- 2.2 GENERAL DESCRIPTION OF EUT.....6
- 2.3 DESCRIPTION OF TEST MODES AND TEST FREQUENCY6
- 2.4 EQUIPMENTS USED DURING THE TEST8
- 2.5 RELATED SUBMITTAL(S) / GRANT (S).....9
- 2.6 MODIFICATIONS9
- 3 TEST CONDITIONS AND RESULTS 10**
- 3.1 OUTPUT POWER.....10
- 3.2 PEAK-TO-AVERAGE RATIO (PAR)16
- 3.3 OCCUPIED BANDWIDTH AND EMISSION BANDWIDTH21
- 3.4 BAND EDGE COMPLIANCE26
- 3.5 SPURIOUS EMISSION31
- 3.6 FREQUENCY STABILITY UNDER TEMPERATURE & VOLTAGE VARIATIONS48
- 4 TEST SETUP PHOTOS OF THE EUT 50**
- 5 PHOTOS OF THE EUT 51**

1 SUMMARY

1.1 TEST STANDARDS

The tests were performed according to following standards:

[FCC Part 2](#): FREQUENCY ALLOCATIONS AND RADIO TREATY MATTERS; GENERAL RULES AND REGULATIONS

[FCC Part 27](#) : MISCELLANEOUS WIRELESS COMMUNICATIONS SERVICES

[ANSI/TIA-603-E-2016](#): Land Mobile FM or PM Communications Equipment Measurement and Performance Standards.

[ANSI C63.26-2015](#): IEEE/ANSI Standard for Compliance Testing of Transmitters Used in Licensed Radio Services

[FCCKDB971168D01](#) Power Meas License Digital Systems

1.2 Test Description

Test Item	Section in CFR 47	Result
RF Output Power	Part 2.1046 Part 27.50(d)(4)	Pass
Peak-to-Average Ratio	Part 27.50(d)(4)	Pass
99% & -26 dB Occupied Bandwidth	Part 2.1049 Part 27.53(h)	Pass
Spurious Emissions at Antenna Terminal	Part 2.1051 Part 27.53(h)	Pass
Field Strength of Spurious Radiation	Part 2.1053 Part 27.53(h)	Pass
Out of band emission, Band Edge	Part 2.1051 Part 27.53(h)	Pass
Frequency stability	Part 2.1055 Part 27.54	Pass

1.3 Address of the test laboratory

Shenzhen Global Test Service Co.,Ltd.

No.7-101 and 8A-104, Building 7 and 8, DCC Cultural and Creative Garden, No.98, Pingxin North Road, Shangmugu Community, Pinghu Street, Longgang District, Shenzhen, Guangdong

The 3m-Semi anechoic test site fulfils CISPR 16-1-4 according to ANSI C63.4:2014 and CISPR 16-1-4:2010 SVSWR requirement for radiated emission above 1GHz.

1.4 Test Facility

The test facility is recognized, certified, or accredited by the following organizations:

FCC-Registration No.: 165725

Shenzhen Global Test Service Co.,Ltd EMC Laboratory has been registered and fully described in a report filed with the (FCC) Federal Communications Commission. The acceptance letter from the FCC is maintained in our files.

A2LA-Lab Cert. No.: 4758.01

Shenzhen Global Test Service Co.,Ltd. EMC Laboratory has been accredited by A2LA for technical competence in the field of electrical testing, and proved to be in compliance with ISO/IEC 17025: 2005 General Requirements for the Competence of Testing and Calibration Laboratories and any additional program requirements in the identified field of testing.

CNAS-Lab Code: L8169

Shenzhen Global Test Service Co.,Ltd. has been assessed and proved to be in compliance with CNAS-CL01 Accreditation Criteria for Testing and Calibration Laboratories (identical to ISO/IEC 17025: 2005 General Requirements) for the Competence of Testing and Calibration Laboratories. Date of Registration: Dec. 11, 2015. Valid time is until Dec. 10, 2024.

1.5 Statement of the measurement uncertainty

The data and results referenced in this document are true and accurate. The reader is cautioned that there may be errors within the calibration limits of the equipment and facilities. The measurement uncertainty was calculated for all measurements listed in this test report acc. to TR-100028-01 "Electromagnetic compatibility and Radio spectrum Matters (ERM); Uncertainties in the measurement of mobile radio equipment characteristics; Part 1" and TR-100028-02 "Electromagnetic compatibility and Radio spectrum Matters (ERM); Uncertainties in the measurement of mobile radio equipment characteristics; Part 2" and is documented in the Shenzhen Global Test Service Co.,Ltd. quality system acc. to DIN EN ISO/IEC 17025. Furthermore, component and process variability of devices similar to that tested may result in additional deviation. The manufacturer has the sole responsibility of continued compliance of the device.

Hereafter the best measurement capability for Shenzhen Global Test Service Co.,Ltd. is reported:

Test	Range	Measurement Uncertainty	Notes
Radiated Emission	30~1000MHz	4.10 dB	(1)
Radiated Emission	1~18GHz	4.32 dB	(1)
Radiated Emission	18-40GHz	5.54 dB	(1)
Conducted Disturbance	0.15~30MHz	3.12 dB	(1)
Conducted Power	9KHz~18GHz	0.61 dB	(1)
Spurious RF Conducted Emission	9KHz~40GHz	1.22 dB	(1)
Band Edge Compliance of RF Emission	9KHz~40GHz	1.22 dB	(1)
Occupied Bandwidth	9KHz~40GHz	-	(1)

(1) This uncertainty represents an expanded uncertainty expressed at approximately the 95% confidence level using a coverage factor of k=1.96.

2 GENERAL INFORMATION

2.1 Environmental conditions

Date of receipt of test sample	:	Dec. 07, 2020
Testing commenced on	:	Dec. 08, 2020
Testing concluded on	:	Dec. 18, 2020

During the measurement the environmental conditions were within the listed ranges:

Normal Temperature:	25°C
Relative Humidity:	55 %
Air Pressure:	101 kPa

2.2 General Description of EUT

Product Name:	10.1 inch 4G Tablet
Model/Type reference:	T10L
Power supply:	DC 3.8V from battery
Adaper information:	Model: MKC0502000SU Input: 100-240V~ 50/60Hz 0.4A Output: 5.0V---2000mA
Testing sample ID :	GTS20201218008-1-1#(Engineer sample) GTS20201218008-1-2#(Normal sample)
LTE	
Operation Band:	E-UTRA Band 4, band5, band7, band12
Support Bandwidth:	Band 4: 1.4MHz, 3MHz,5MHz,10MHz,15MHz,20MHz Band 5: 1.4MHz,3MHz,5MHz,10MHz Band 7: 5MHz,10MHz,15MHz,20MHz Band 12: 1.4MHz,3MHz,5MHz,10MHz
TX/RXFrequency Range:	Band 4: 1710MHz-1755MHz/2110MHz-2155MHz Band 5: 824MHz-849MHz/869MHz-894MHz Band 7: 2500MHz-2570MHz/2620MHz-2690MHz Band 12: 699MHz-716MHz/729MHz-746MHz
Modulation Type:	QPSK, 16QAM
Release Version:	Release 10
Category:	Cat 4
Antenna Type:	FPC antenna
Antenna Gain:	0.8dBi for LTE Band 4 0.8dBi for LTE Band 5 0.5 dBi for LTE Band 7 -3.5 dBi for LTE Band 12

Note: For more details, refer to the user's manual of the EUT.

2.3 Description of Test Modes and Test Frequency

The EUT has been tested under typical operating condition. The CMW500 used to control the EUT staying in continuous transmitting and receiving mode for testing. Regards to the frequency band

operation: the lowest, middle and highest frequency of channel were selected to perform the test, then shown on this report.

2.4 Equipments Used during the Test

Test Equipment	Manufacturer	Model No.	Serial No.	Calibration Date	Calibration Due Date
LISN	R&S	ENV216	3560.6550.08	2020/09/19	2021/09/18
LISN	R&S	ESH2-Z5	893606/008	2020/09/19	2021/09/18
EMI Test Receiver	R&S	ESPI3	101841-cd	2020/09/19	2021/09/18
EMI Test Receiver	R&S	ESCI7	101102	2020/09/19	2021/09/18
Spectrum Analyzer	Agilent	N9020A	MY48010425	2020/09/19	2021/09/18
Spectrum Analyzer	R&S	FSV40	100019	2020/09/19	2021/09/18
Vector Signal generator	Agilent	N5181A	MY49060502	2020/09/19	2021/09/18
Signal generator	Agilent	E4421B	3610AO1069	2020/09/19	2021/09/18
Climate Chamber	ESPEC	EL-10KA	A20120523	2020/09/19	2021/09/18
Controller	EM Electronics	Controller EM 1000	N/A	N/A	N/A
Horn Antenna	Schwarzbeck	BBHA 9120D	01622	2020/09/19	2021/09/18
Active Loop Antenna	Beijing Da Ze Technology Co.,Ltd.	ZN30900C	15006	2020/10/11	2021/10/10
Bilog Antenna	Schwarzbeck	VULB9163	000976	2020/05/26	2021/05/25
Broadband Horn Antenna	SCHWARZBEC K	BBHA 9170	791	2020/09/19	2021/09/18
Amplifier	Schwarzbeck	BBV 9743	#202	2020/09/19	2021/09/18
Amplifier	Schwarzbeck	BBV9179	9719-025	2020/09/19	2021/09/18
Amplifier	EMCI	EMC051845B	980355	2020/09/19	2021/09/18
Temperature/Humidity Meter	Gangxing	CTH-608	02	2020/09/19	2021/09/18
High-Pass Filter	K&L	9SH10-2700/X12750-O/O	KL142031	2020/09/19	2021/09/18
High-Pass Filter	K&L	41H10-1375/U12750-O/O	KL142032	2020/09/19	2021/09/18
RF Cable(below 1GHz)	HUBER+SUHNER	RG214	RE01	2020/09/19	2021/09/18
RF Cable(above 1GHz)	HUBER+SUHNER	RG214	RE02	2020/09/19	2021/09/18
Data acquisition card	Agilent	U2531A	TW53323507	2020/09/19	2021/09/18
Power Sensor	Agilent	U2021XA	MY5365004	2020/09/19	2021/09/18
Test Control Unit	Tonscend	JS0806-1	178060067	2020/06/19	2021/06/18
Automated filter bank	Tonscend	JS0806-F	19F8060177	2020/06/19	2021/06/18
EMI Test Software	Tonscend	JS1120-1	Ver 2.6.8.0518	/	/

EMI Test Software	Tonscend	JS1120-3	Ver 2.5.77.0418	/	/
EMI Test Software	Tonscend	JS32-CE	Ver 2.5	/	/
EMI Test Software	Tonscend	JS32-RE	Ver 2.5.1.8	/	/

Note: The Cal.Interval was one year.

2.5 Related Submittal(s) / Grant (s)

This submittal(s) (test report) is intended for FCC ID: O55104320 filing to comply with of the FCC Part 27 Rules.

2.6 Modifications

No modifications were implemented to meet testing criteria.

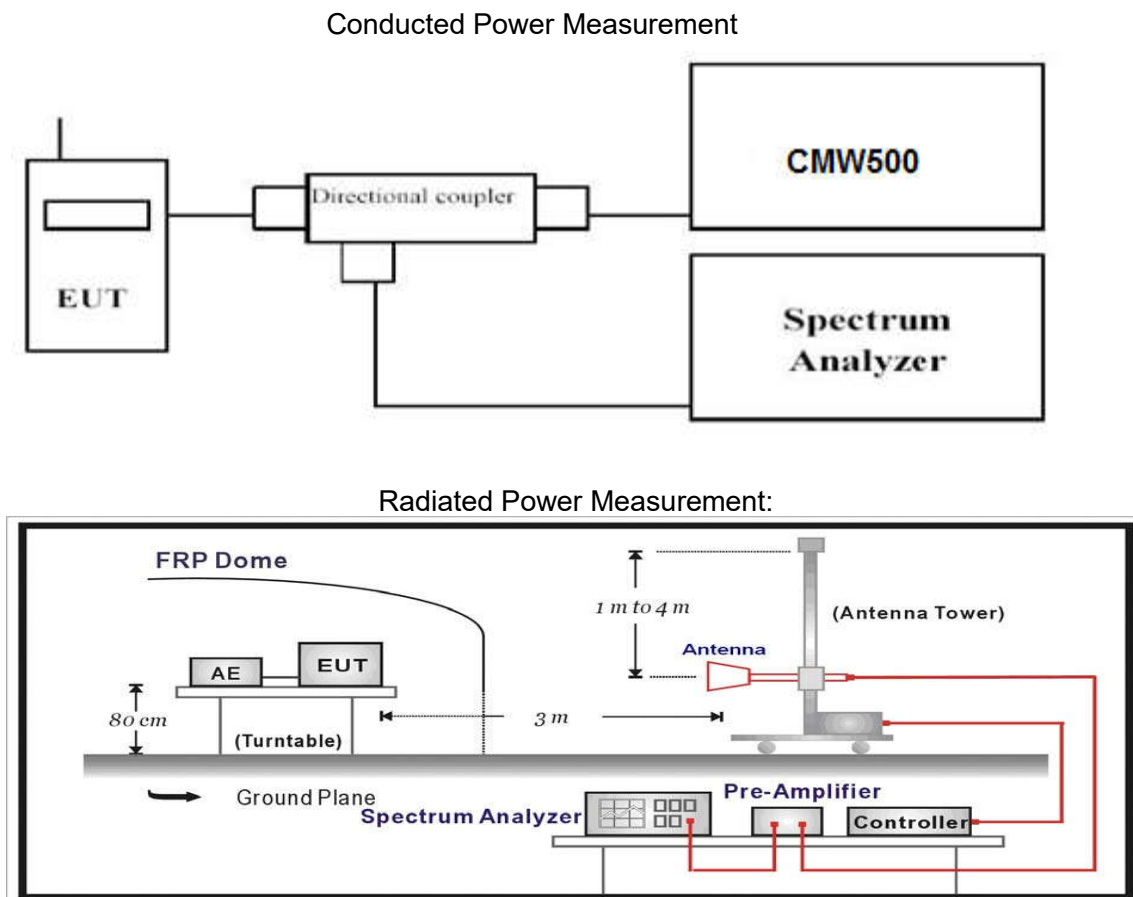
3 TEST CONDITIONS AND RESULTS

3.1 Output Power

LIMIT

According to § 27.50 C(10): Portable stations (hand-held devices) in the 600 MHz uplink band and the 698-746 MHz band, and fixed and mobile stations in the 600 MHz uplink band are limited to 3 watts ERP.”

TEST CONFIGURATION



TEST PROCEDURE

The EUT was setup according to EIA/TIA 603D

Conducted Power Measurement:

- Place the EUT on a bench and set it in transmitting mode.
- Connect a low loss RF cable from the antenna port to a spectrum analyzer and CMW500 by a Directional Couple.
- EUT Communicate with CMW500 then selects a channel for testing.
- Add a correction factor to the display of spectrum, and then test.

Radiated Power Measurement:

- The EUT shall be placed at the specified height on a support, and in the position closest to normal use as declared by provider.
- The test antenna shall be oriented initially for vertical polarization and shall be chosen to correspond to the frequency of the transmitter
- The output of the test antenna shall be connected to the measuring receiver.
- The transmitter shall be switched on and the measuring receiver shall be tuned to the frequency of the transmitter under test.

- e) The test antenna shall be raised and lowered through the specified range of height until a maximum signal level is detected by the measuring receiver.
- f) The transmitter shall then be rotated through 360° in the horizontal plane, until the maximum signal level is detected by the measuring receiver.
- g) The test antenna shall be raised and lowered again through the specified range of height until a maximum signal level is detected by the measuring receiver.
- h) The maximum signal level detected by the measuring receiver shall be noted.
- i) The transmitter shall be replaced by a substitution antenna.
- j) The substitution antenna shall be orientated for vertical polarization and the length of the substitution antenna shall be adjusted to correspond to the frequency of the transmitter.
- k) The substitution antenna shall be connected to a calibrated signal generator.
- l) If necessary, the input attenuator setting of the measuring receiver shall be adjusted in order to increase the sensitivity of the measuring receiver.
- m) The test antenna shall be raised and lowered through the specified range of height to ensure that the maximum signal is received.
- n) The input signal to the substitution antenna shall be adjusted to the level that produces a level detected by the measuring receiver, that is equal to the level noted while the transmitter radiated power was measured, corrected for the change of input attenuator setting of the measuring receiver.
- o) The measurement shall be repeated with the test antenna and the substitution antenna orientated for horizontal polarization.
- p) The measure of the effective radiated power is the larger of the two levels recorded at the input to the substitution antenna, corrected for gain of the substitution antenna if necessary.
- q) Test site anechoic chamber refer to ANSI C63.4.

TEST RESULTS**Conducted Measurement:**

LTE FDD Band 12					
TX Channel Bandwidth	RB Size/Offset	Frequency (MHz)	Average Power [dBm]		
			QPSK	16QAM	
1.4 MHz	1 RB low	699.7	22.84	21.93	
		707.5	23.02	21.98	
		715.3	22.67	21.76	
	1 RB mid	699.7	23.25	22.40	
		707.5	23.10	22.12	
		715.3	23.00	21.97	
	1 RB high	699.7	22.50	21.56	
		707.5	23.22	22.19	
		715.3	22.99	22.14	
	50% RB low	699.7	22.57	21.64	
		707.5	22.73	21.69	
		715.3	22.36	21.25	
	50% RB mid	699.7	22.99	21.91	
		707.5	22.75	21.64	
		715.3	22.65	21.54	
	50% RB High	699.7	22.15	21.12	
		707.5	22.90	21.94	
		715.3	22.72	21.61	
	100% RB	699.7	22.32	21.43	
		707.5	22.48	21.61	
		715.3	22.05	21.08	
	3 MHz	1 RB low	700.5	22.61	21.49
			707.5	22.61	21.51
			714.5	22.57	21.58
1 RB mid		700.5	22.64	21.50	
		707.5	22.69	21.80	
		714.5	22.75	21.88	
1 RB high		700.5	22.62	21.55	
		707.5	22.98	21.92	
		714.5	23.17	22.18	
50% RB low		700.5	22.35	21.44	
		707.5	22.32	21.43	
		714.5	22.25	21.38	
50% RB mid		700.5	22.31	21.38	
		707.5	22.37	21.33	
		714.5	22.50	21.59	
50% RB High		700.5	22.27	21.12	
		707.5	22.70	21.75	
		714.5	22.84	21.96	
100% RB		700.5	22.08	21.01	
		707.5	21.97	20.85	
		714.5	21.96	21.02	
5 MHz		1 RB low	701.5	22.61	21.70
			707.5	22.62	21.56
			713.5	22.95	22.06
	1 RB mid	701.5	22.70	21.60	
		707.5	23.09	22.15	
		713.5	22.58	21.72	
	1 RB high	701.5	22.50	21.57	
		707.5	23.22	22.08	
		713.5	23.16	22.12	

	50% RB low	701.5	22.36	21.41
		707.5	22.33	21.32
		713.5	22.70	21.62
	50% RB mid	701.5	22.36	21.50
		707.5	22.84	21.81
		713.5	22.28	21.28
	50% RB High	701.5	22.20	21.28
		707.5	22.88	21.85
		713.5	22.87	21.76
	100% RB	701.5	22.03	21.15
		707.5	22.02	21.09
		713.5	22.38	21.32
10 MHz	1 RB low	704.0	22.56	21.62
		707.5	22.81	21.69
		711.0	22.86	21.93
	1 RB mid	704.0	23.49	22.51
		707.5	23.39	22.34
		711.0	23.15	22.14
	1 RB high	704.0	22.63	21.51
		707.5	23.39	22.51
		711.0	22.56	21.45
	50% RB low	704.0	22.26	21.11
		707.5	22.50	21.38
		711.0	22.52	21.57
	50% RB mid	704.0	23.23	22.20
		707.5	23.14	22.16
		711.0	22.85	21.89
	50% RB High	704.0	22.33	21.19
		707.5	23.11	22.02
		711.0	22.25	21.18
	100% RB	704.0	21.95	21.08
		707.5	22.16	21.04
		711.0	22.20	21.34

Radiated Measurement:

Remark:

1. We were tested all RB Configuration refer 3GPP TS136 521 for each Channel Bandwidth of LTE FDD Band 12; recorded worst case for each Channel Bandwidth of LTE FDD Band 12.
2. $EIRP = P_{Mea}(dBm) - P_{cl}(dB) + P_{Ag}(dB) + G_a(dBi)$

LTE FDD Band 12 Channel Bandwidth 1.4MHz_QPSK

Frequency (MHz)	P _{Mea} (dBm)	P _{cl} (dB)	G _a Antenna Gain(dB)	Correction (dB)	P _{Ag} (dB)	ERP (dBm)	Limit (dBm)	Margin (dB)	Polarization
699.7	-18.61	2.38	8.23	2.15	36.70	21.79	34.77	12.98	V
707.5	-18.30	2.40	8.29	2.15	36.70	22.14	34.77	12.63	V
715.3	-18.64	2.43	8.28	2.15	36.70	21.76	34.77	13.01	V

LTE FDD Band 12 Channel Bandwidth 3MHz_QPSK

Frequency (MHz)	P _{Mea} (dBm)	P _{cl} (dB)	G _a Antenna Gain(dB)	Correction (dB)	P _{Ag} (dB)	ERP (dBm)	Limit (dBm)	Margin (dB)	Polarization
700.5	-18.69	2.38	8.23	2.15	36.70	21.71	34.77	13.06	V
707.5	-17.75	2.40	8.29	2.15	36.70	22.69	34.77	12.08	V
714.5	-17.81	2.43	8.28	2.15	36.70	22.59	34.77	12.18	V

LTE FDD Band 12 Channel Bandwidth 5MHz_QPSK

Frequency (MHz)	P _{Mea} (dBm)	P _{cl} (dB)	G _a Antenna Gain(dB)	Correction (dB)	P _{Ag} (dB)	ERP (dBm)	Limit (dBm)	Margin (dB)	Polarization
701.5	-18.35	2.38	8.23	2.15	36.70	22.05	34.77	12.72	V
707.5	-18.55	2.40	8.29	2.15	36.70	21.89	34.77	12.88	V
713.5	-18.38	2.43	8.28	2.15	36.70	22.02	34.77	12.75	V

LTE FDD Band 12 Channel Bandwidth 10MHz_QPSK

Frequency (MHz)	P _{Mea} (dBm)	P _{cl} (dB)	G _a Antenna Gain(dB)	Correction (dB)	P _{Ag} (dB)	ERP (dBm)	Limit (dBm)	Margin (dB)	Polarization
704.0	-18.82	2.38	8.23	2.15	36.70	21.58	34.77	13.19	V
707.5	-17.80	2.40	8.29	2.15	36.70	22.64	34.77	12.13	V
711.0	-18.09	2.43	8.28	2.15	36.70	22.31	34.77	12.46	V

LTE FDD Band 12 Channel Bandwidth 1.4MHz_16QAM

Frequency (MHz)	P _{Mea} (dBm)	P _{cl} (dB)	G _a Antenna Gain(dB)	Correction (dB)	P _{Ag} (dB)	ERP (dBm)	Limit (dBm)	Margin (dB)	Polarization
699.7	-21.05	2.38	8.23	2.15	36.70	19.35	34.77	15.42	V
707.5	-20.39	2.40	8.29	2.15	36.70	20.05	34.77	14.72	V
715.3	-20.18	2.43	8.28	2.15	36.70	20.22	34.77	14.55	V

LTE FDD Band 12 Channel Bandwidth 3MHz_16QAM

Frequency (MHz)	P _{Mea} (dBm)	P _{cl} (dB)	G _a Antenna Gain(dB)	Correction (dB)	P _{Ag} (dB)	ERP (dBm)	Limit (dBm)	Margin (dB)	Polarization
700.5	-20.78	2.38	8.23	2.15	36.70	19.62	34.77	15.15	V
707.5	-18.87	2.40	8.29	2.15	36.70	21.57	34.77	13.20	V
714.5	-19.75	2.43	8.28	2.15	36.70	20.65	34.77	14.12	V

LTE FDD Band 12 Channel Bandwidth 5MHz_16QAM

Frequency (MHz)	P _{Mea} (dBm)	P _{cl} (dB)	G _a Antenna Gain(dB)	Correction (dB)	P _{Ag} (dB)	ERP (dBm)	Limit (dBm)	Margin (dB)	Polarization
701.5	-20.70	2.38	8.23	2.15	36.70	19.70	34.77	15.07	V
707.5	-20.38	2.40	8.29	2.15	36.70	20.06	34.77	14.71	V
713.5	-20.55	2.43	8.28	2.15	36.70	19.85	34.77	14.92	V

LTE FDD Band 12 Channel Bandwidth 10MHz_16QAM

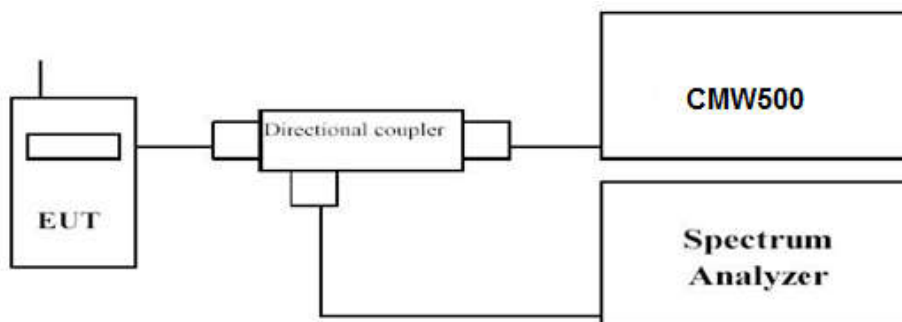
Frequency (MHz)	P _{Mea} (dBm)	P _{cl} (dB)	G _a Antenna Gain(dB)	Correction (dB)	P _{Ag} (dB)	ERP (dBm)	Limit (dBm)	Margin (dB)	Polarization
704.0	-20.68	2.38	8.23	2.15	36.70	19.72	34.77	15.05	V
707.5	-20.01	2.40	8.29	2.15	36.70	20.43	34.77	14.34	V
711.0	-20.41	2.43	8.28	2.15	36.70	19.99	34.77	14.78	V

3.2 Peak-to-Average Ratio (PAR)

LIMIT

The Peak-to-Average Ratio (PAR) of the transmission may not exceed 13 dB.

TEST CONFIGURATION



TEST PROCEDURE

1. Refer to instrument’s analyzer instruction manual for details on how to use the power statistics/CCDF function;
2. Set resolution/measurement bandwidth \geq signal’s occupied bandwidth;
3. Set the number of counts to a value that stabilizes the measured CCDF curve;
4. Set the measurement interval as follows:
 - 1). for continuous transmissions, set to 1 ms,
 - 2). for burst transmissions, employ an external trigger that is synchronized with the EUT burst timing sequence, or use the internal burst trigger with a trigger level that allows the burst to stabilize and set the measurement interval to a time that is less than or equal to the burst duration.
5. Record the maximum PAPR level associated with a probability of 0.1%.

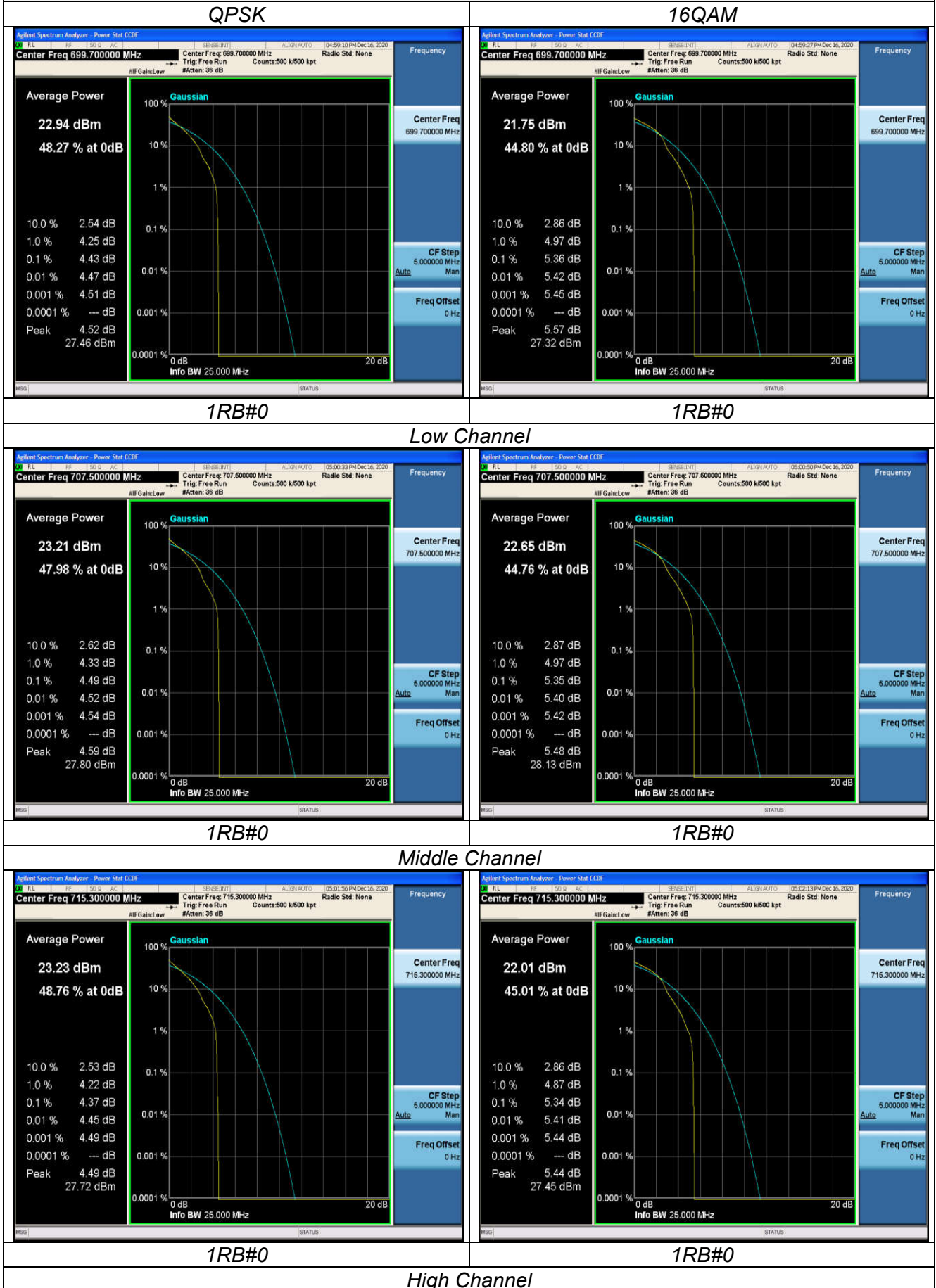
TEST RESULTS

Remark:

1. We were tested all RB Configuration refer 3GPP TS136 521 for each Channel Bandwidth of LTE FDD Band 12; recorded worst case for each Channel Bandwidth of LTE FDD Band 12.

LTE FDD Band 12				
TX Channel Bandwidth	Frequency (MHz)	RB Size/Offset	PAPR (dB)	
			QPSK	16QAM
1.4 MHz	699.7	1RB#0	4.43	5.36
	707.5		4.49	5.35
	715.3		4.37	5.34
3 MHz	700.5	1RB#0	4.47	5.39
	707.5		4.52	5.38
	714.5		4.45	5.26
5 MHz	701.5	1RB#0	4.45	5.36
	707.5		4.47	5.27
	713.5		4.46	5.23
10 MHz	704.0	1RB#0	4.42	5.10
	707.5		4.42	5.31
	711.0		4.38	5.23

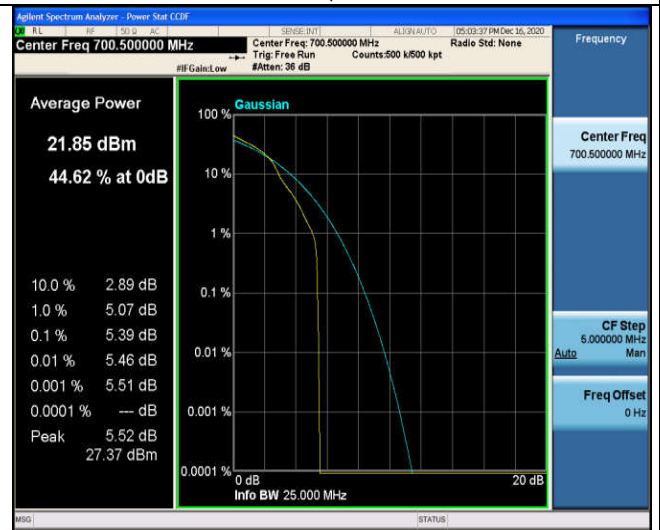
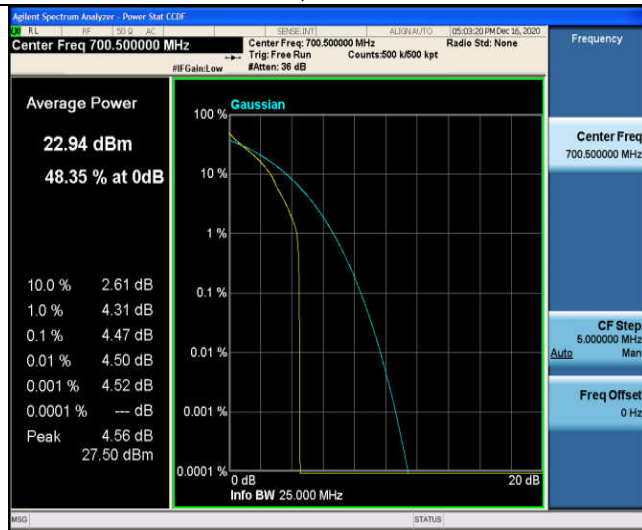
LTE FDD Band 12-1.4MHz Channel Bandwidth PAPR



LTE FDD Band 12-3MHz Channel Bandwidth PAPR

QPSK

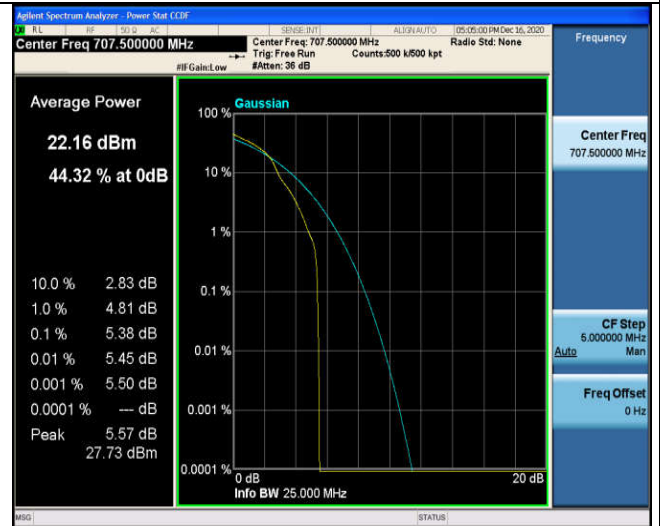
16QAM



1RB#0

1RB#0

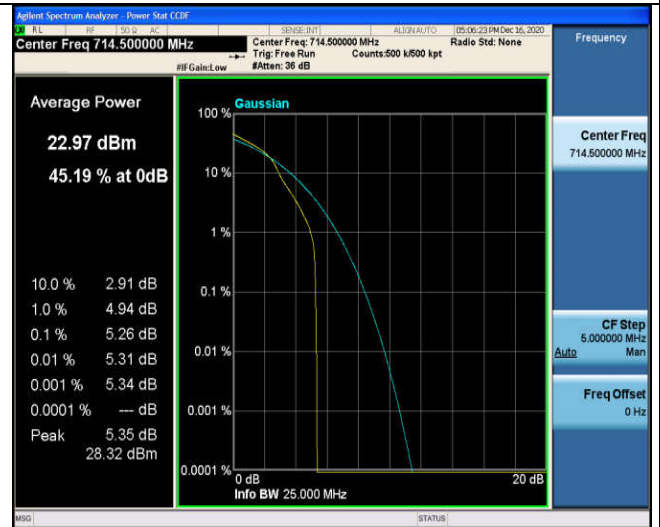
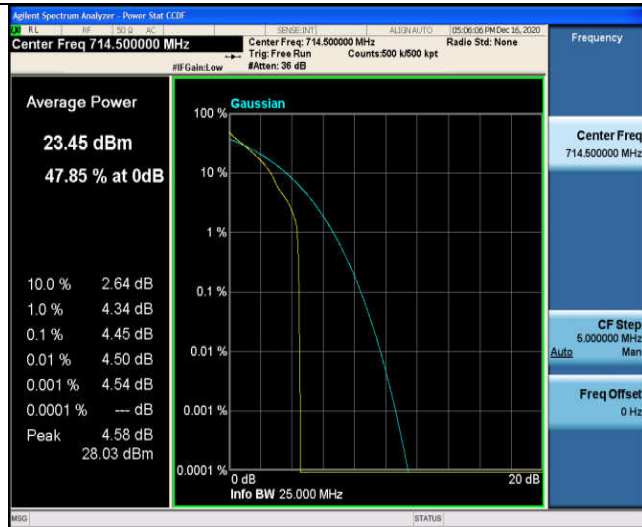
Low Channel



1RB#0

1RB#0

Middle Channel

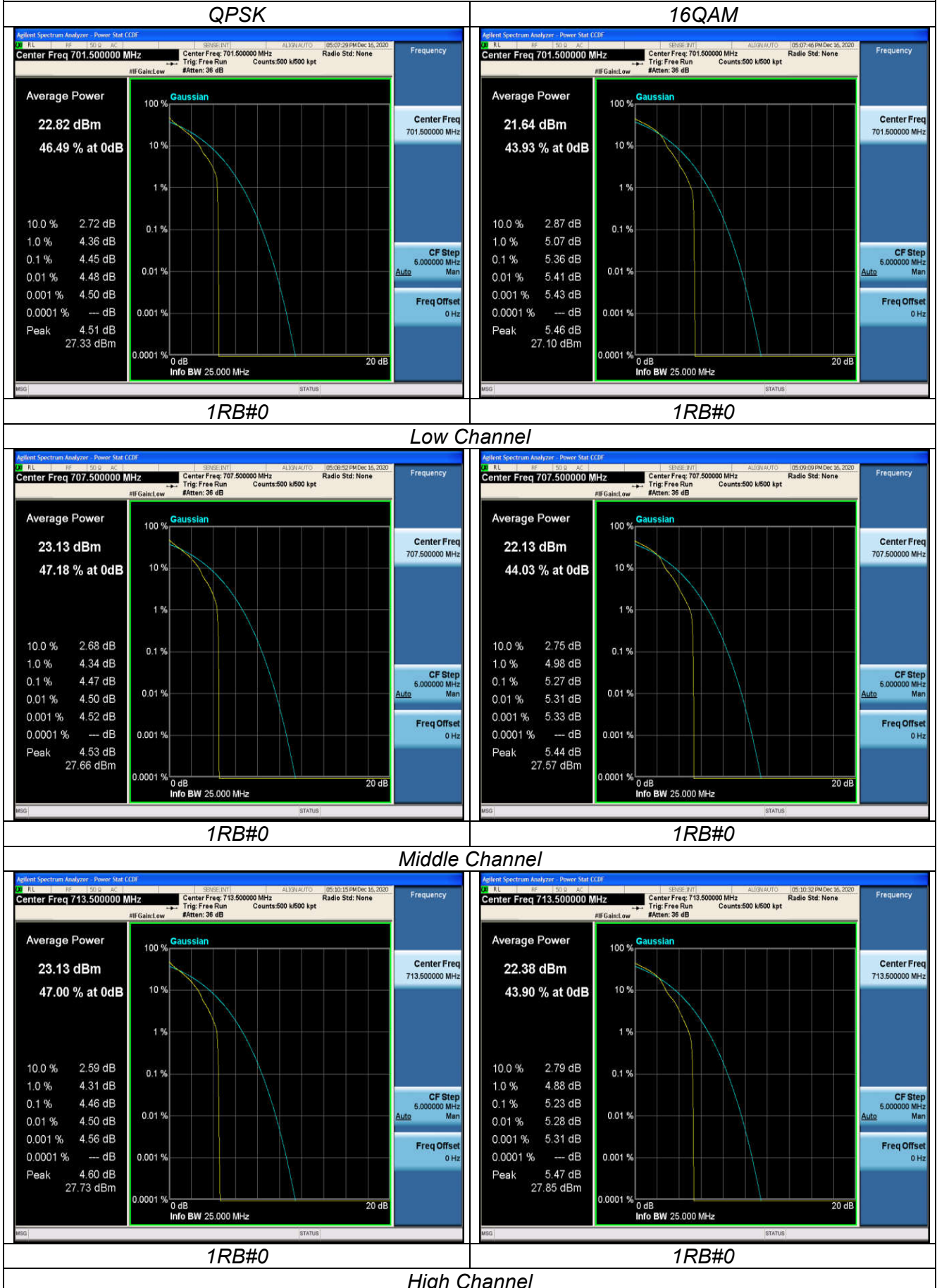


1RB#0

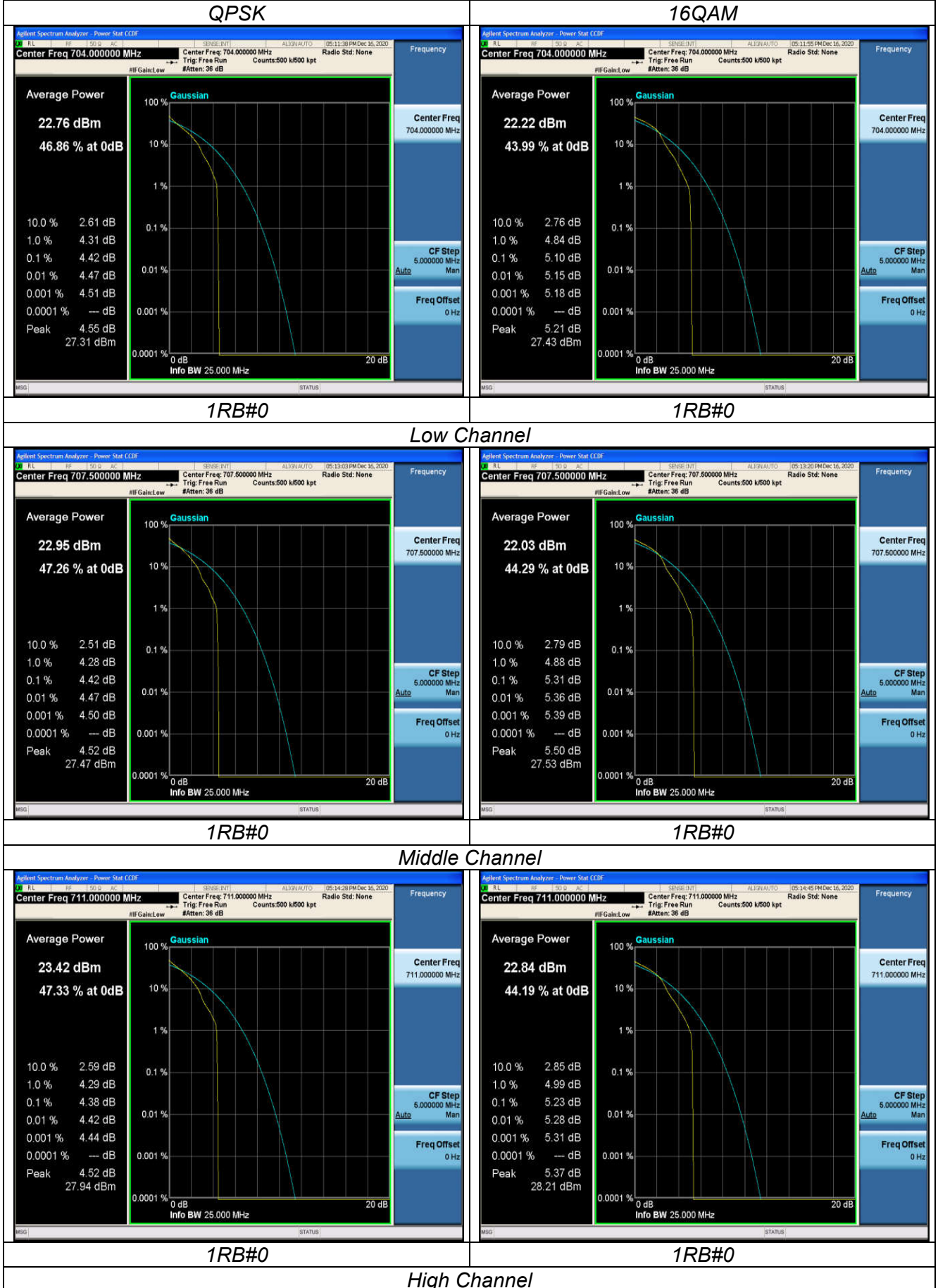
1RB#0

High Channel

LTE FDD Band 12-5MHz Channel Bandwidth PAPR



LTE FDD Band 12-10MHz Channel Bandwidth PAPR

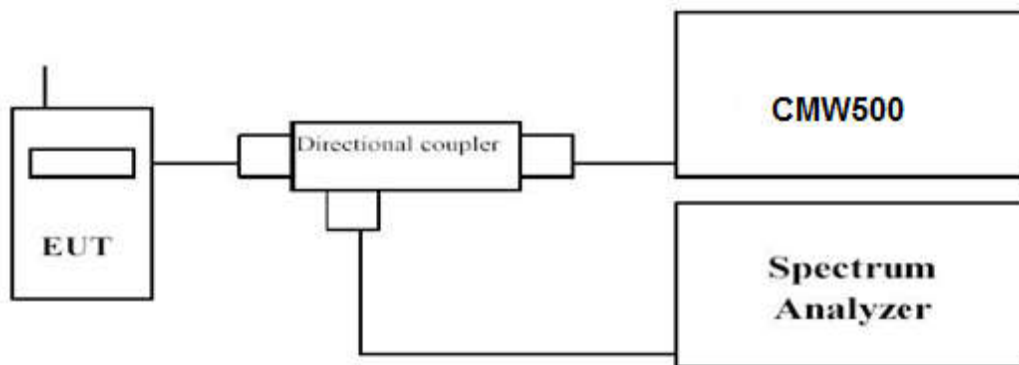


3.3 Occupied Bandwidth and Emission Bandwidth

LIMIT

N/A

TEST CONFIGURATION



TEST PROCEDURE

The transmitter output was connected to a calibrated coaxial cable and coupler, the other end of which was connected to a spectrum analyzer. The occupied bandwidth was measured with the spectrum analyzer at low, middle and high channel in each band. The -26dBc Emission bandwidth was also measured and recorded.

Set RBW was set to about 1% of emission BW, VBW ≥ 3 times RBW.

-26dBc display line was placed on the screen (or 99% bandwidth), the occupied bandwidth is the delta frequency between the two points where the display line intersects the signal trace.

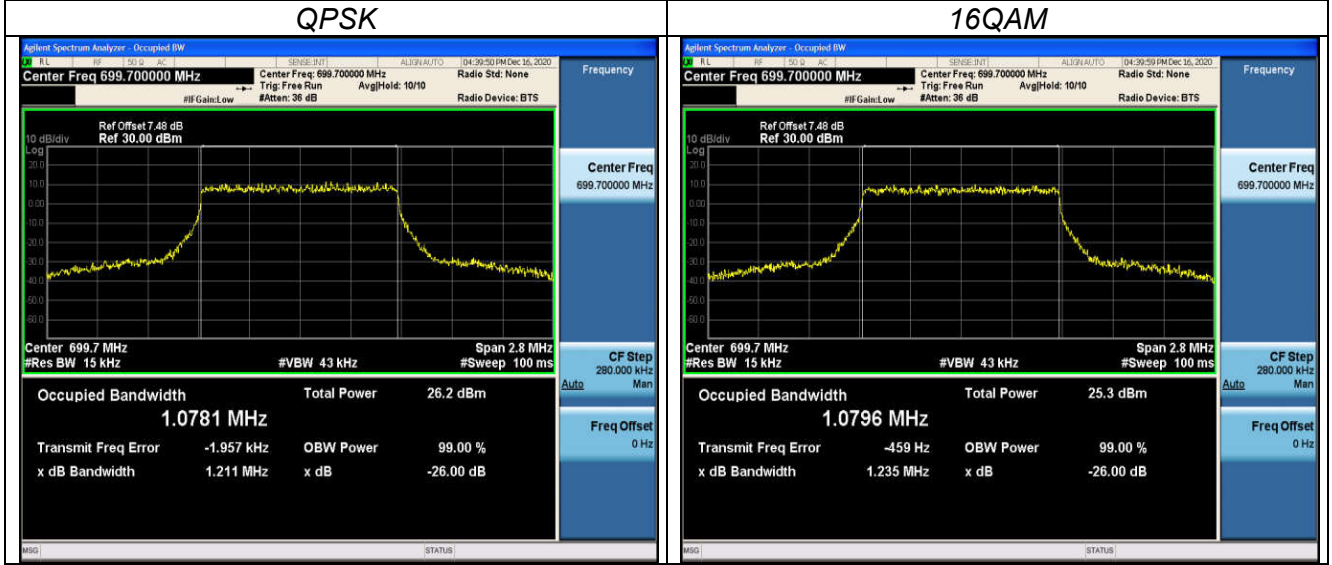
TEST RESULTS

Remark:

1. We were tested all RB Configuration refer 3GPP TS136 521 for each Channel Bandwidth of LTE FDD Band 12; recorded worst case for each Channel Bandwidth of LTE FDD Band 12.

LTE FDD Band 12						
TX Channel Bandwidth	RB Size/Offset	Frequency (MHz)	-26dBc Emission bandwidth (MHz)		99% Occupied bandwidth (MHz)	
			QPSK	16QAM	QPSK	16QAM
1.4 MHz	6RB#0	699.7	1.211	1.235	1.0781	1.0796
		707.5	1.229	1.219	1.0792	1.0799
		715.3	1.225	1.232	1.0765	1.0792
3 MHz	15RB#0	700.5	2.905	2.912	2.6864	2.6790
		707.5	2.901	2.881	2.6872	2.6832
		714.5	2.894	2.885	2.6867	2.6864
5 MHz	25RB#0	701.5	4.839	4.781	4.4743	4.4657
		707.5	4.784	4.841	4.4719	4.4722
		713.5	4.807	4.830	4.4784	4.4785
10 MHz	50RB#0	704.0	9.456	9.482	8.9330	8.9128
		707.5	9.410	9.412	8.9228	8.9190
		711.0	9.436	9.411	8.9288	8.9227

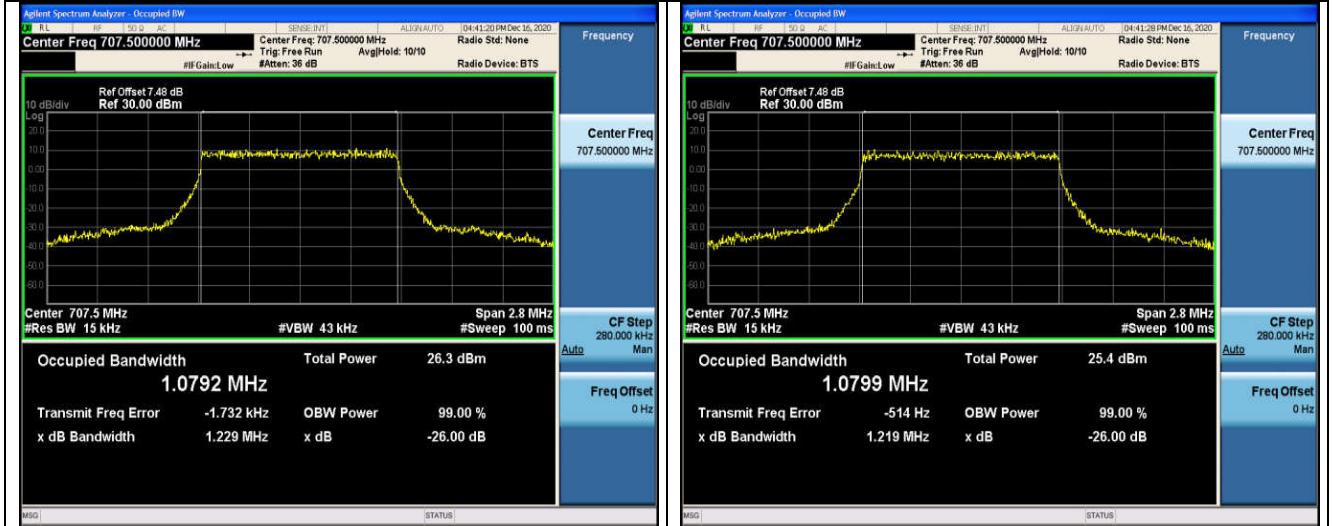
LTE FDD Band 12-1.4MHz Channel Bandwidth



6RB#0

6RB#0

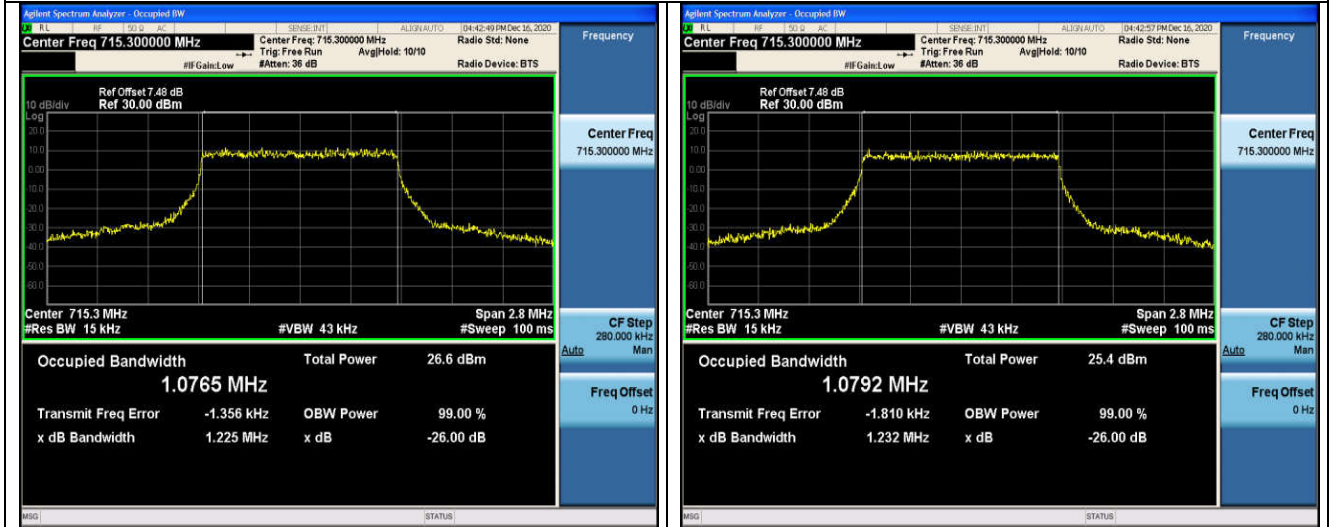
Low Channel



6RB#0

6RB#0

Middle Channel

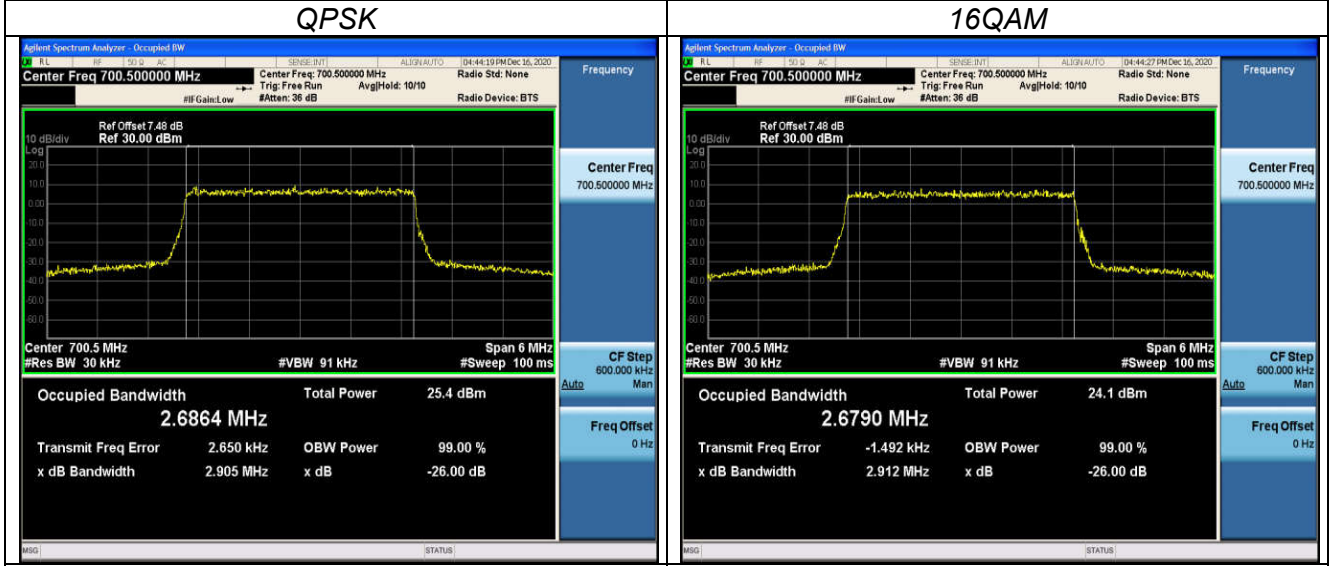


6RB#0

6RB#0

High Channel

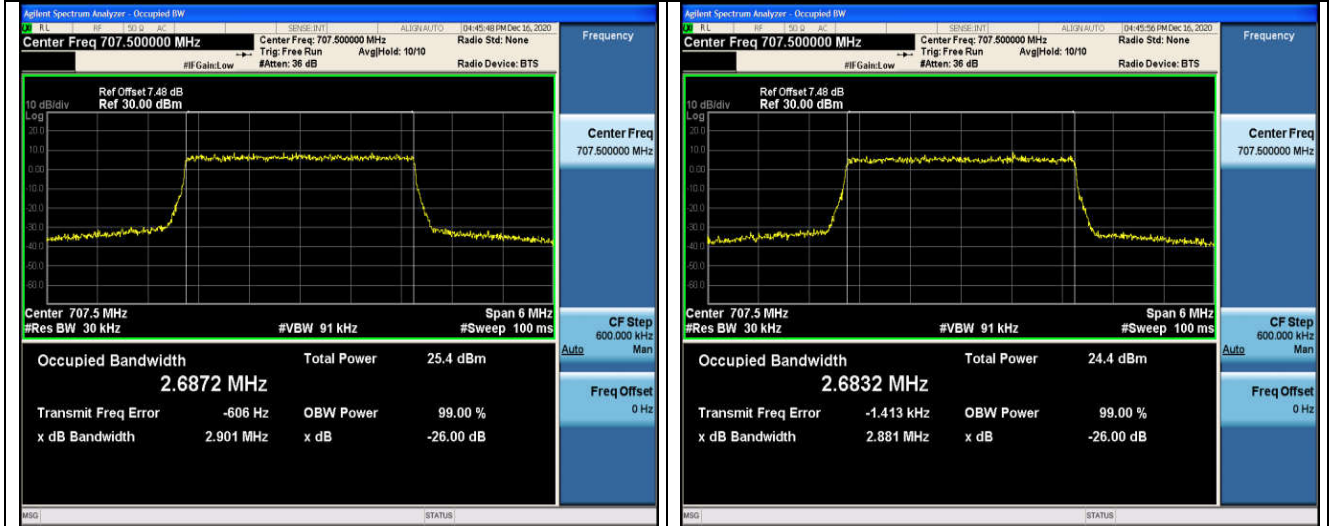
LTE FDD Band 12-3MHz Channel Bandwidth



15RB#0

15RB#0

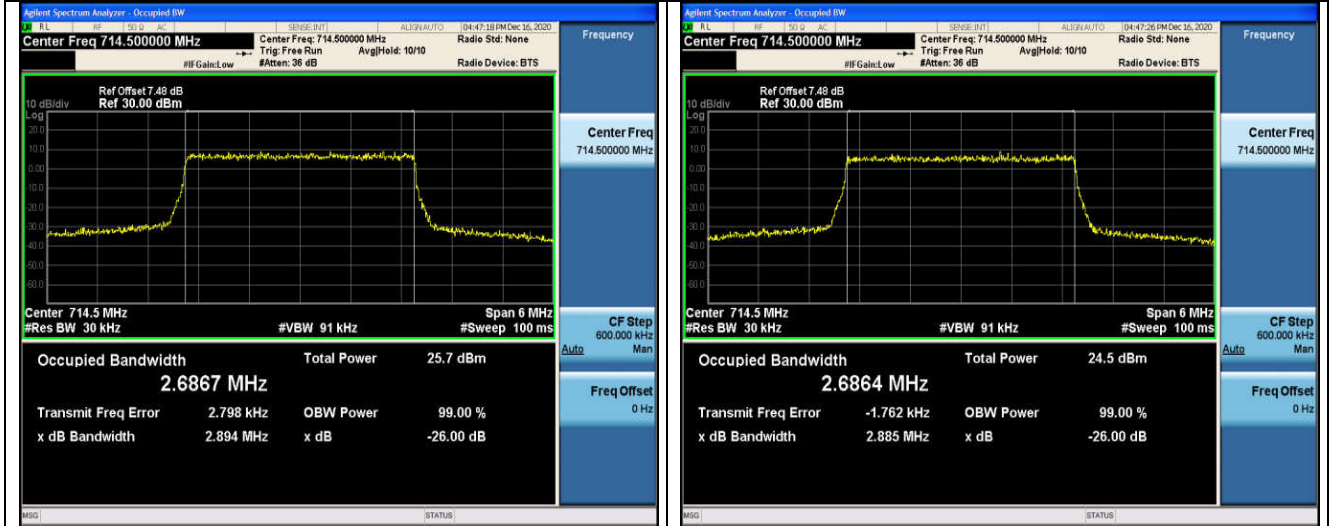
Low Channel



15RB#0

15RB#0

Middle Channel



15RB#0

15RB#0

High Channel

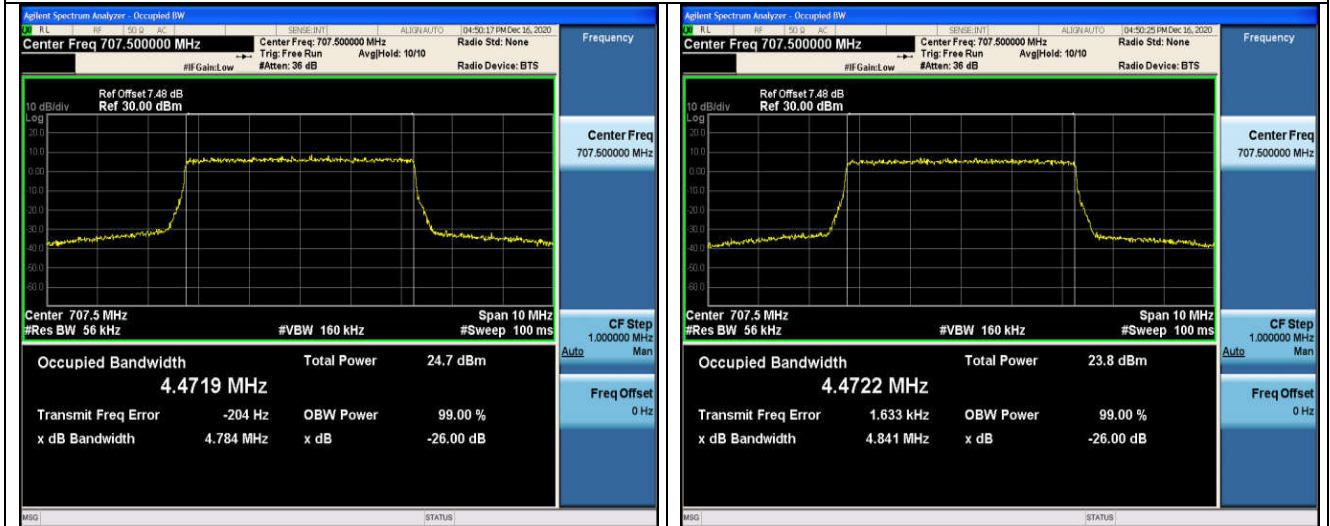
LTE FDD Band 12-5MHz Channel Bandwidth



25RB#0

25RB#0

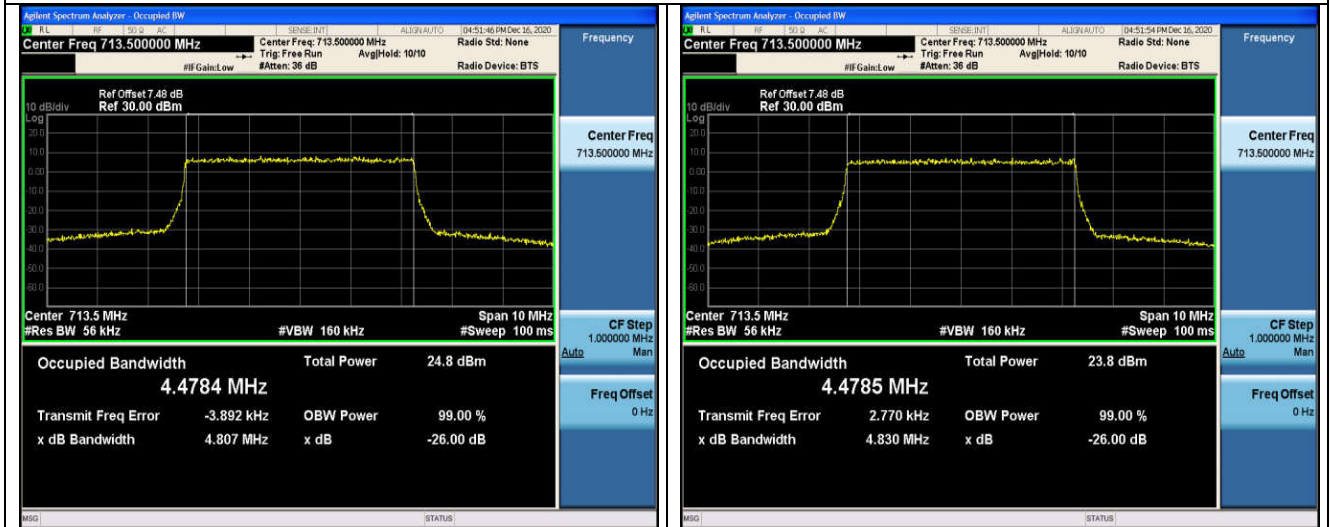
Low Channel



25RB#0

25RB#0

Middle Channel



25RB#0

25RB#0

High Channel

LTE FDD Band 12-10MHz Channel Bandwidth

QPSK

16QAM



50RB#0

50RB#0

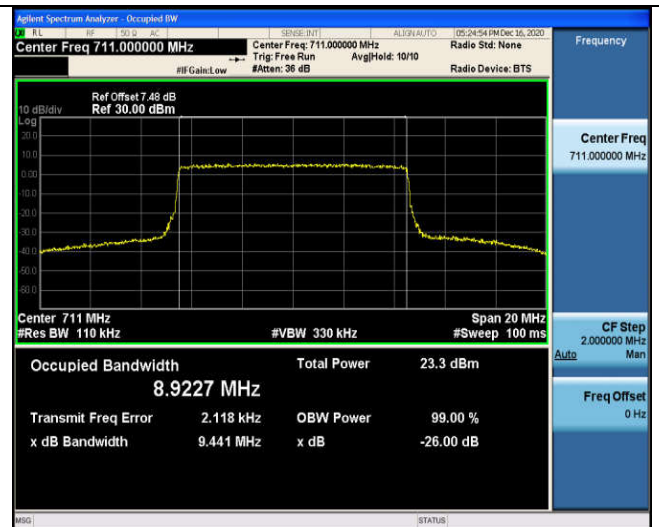
Low Channel



50RB#0

50RB#0

Middle Channel



50RB#0

50RB#0

High Channel

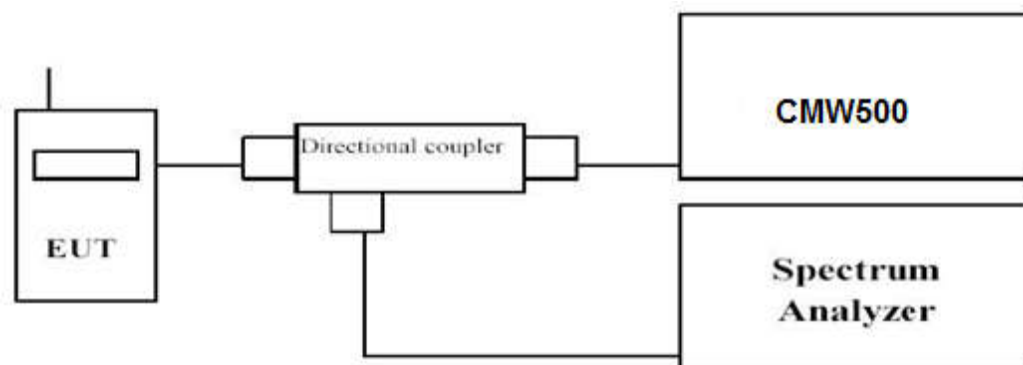
3.4 Band Edge compliance

LIMIT

According to Part §27.53(h) specify that the power of any emission outside of the authorized operating frequency ranges must be attenuated below the transmitting power (P) by a factor of at least $43 + 10 \log (P)$ dB.

The specification that emissions shall be attenuated below the transmitter power (P) by at least $43 + 10 \log (P)$ dB, translates in the relevant power range (1 to 0.001 W) to -13 dBm. At 1 W the specified minimum attenuation becomes 43 dB and relative to a 30 dBm (1 W) carrier becomes a limit of -13 dBm. At 0.001 W (0 dBm) the minimum attenuation is 13 dB, which again yields a limit of -13 dBm. In this way a translation of the specification from relative to absolute terms is carried out.

TEST CONFIGURATION



TEST PROCEDURE

1. The transmitter output port was connected to base station.
2. The RF output of EUT was connected to the power meter by RF cable and attenuator, the path loss was compensated to the results for each measurement.
3. Set EUT at maximum power through base station.
4. Select lowest and highest channels for each band and different modulation.
5. Measure Band edge using RMS (Average) detector by spectrum

TEST RESULTS

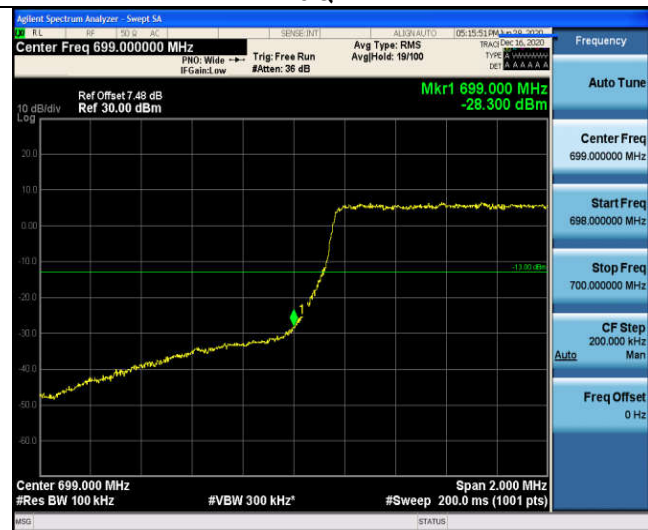
Remark:

1. We were tested all RB Configuration refer 3GPP TS136 521 for each Channel Bandwidth of LTE FDD Band 12; recorded worst case for each Channel Bandwidth of LTE FDD Band 12.

LTE FDD Band 12-1.4MHz Channel Bandwidth Band Edge Compliance

QPSK

16QAM



1RB#0

1RB#0

Low Channel



1RB#0

1RB#0

High Channel

LTE FDD Band 12-3MHz Channel Bandwidth Band Edge Compliance

QPSK

16QAM



1RB#0

1RB#0

Low Channel



1RB#0

1RB#0

High Channel

LTE FDD Band 12-5MHz Channel Bandwidth Band Edge Compliance

QPSK

16QAM



1RB#0

1RB#0

Low Channel



1RB#0

1RB#0

High Channel

LTE FDD Band 12-10MHz Channel Bandwidth Band Edge Compliance

QPSK

16QAM



1RB#0

1RB#0

Low Channel



1RB#0

1RB#0

High Channel

3.5 Spurious Emission

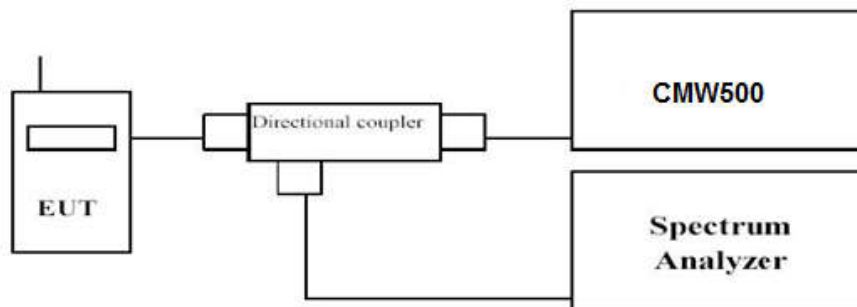
LIMIT

According to Part §27.53(h) specify that the power of any emission outside of the authorized operating frequency ranges must be attenuated below the transmitting power (P) by a factor of at least $43 + 10 \log (P)$ dB.

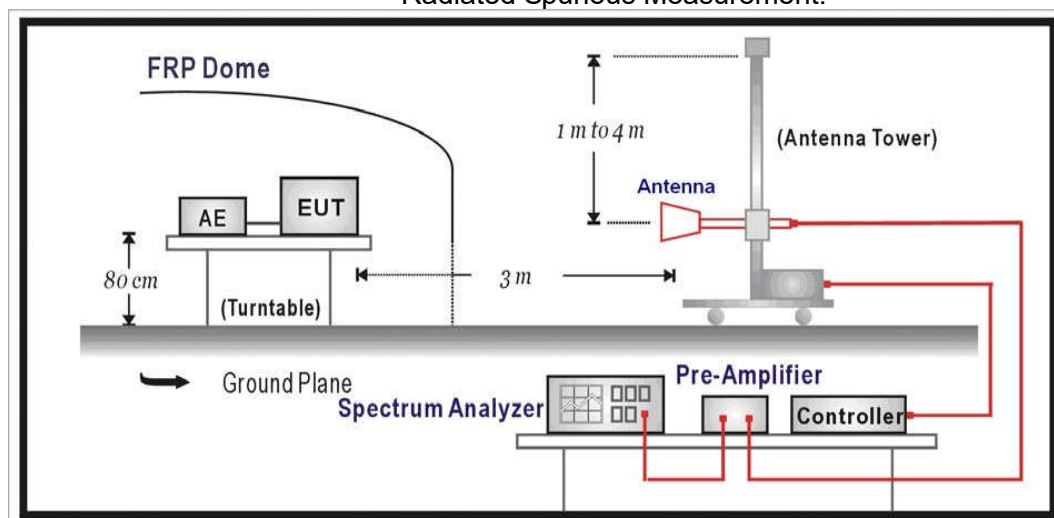
The specification that emissions shall be attenuated below the transmitter power (P) by at least $43 + 10 \log (P)$ dB, translates in the relevant power range (1 to 0.001 W) to -13 dBm. At 1 W the specified minimum attenuation becomes 43 dB and relative to a 30 dBm (1 W) carrier becomes a limit of -13 dBm. At 0.001 W (0 dBm) the minimum attenuation is 13 dB, which again yields a limit of -13 dBm. In this way a translation of the specification from relative to absolute terms is carried out.

TEST CONFIGURATION

Conducted Spurious Measurement:



Radiated Spurious Measurement:



TEST PROCEDURE

The EUT was setup according to EIA/TIA 603D

Conducted Spurious Measurement:

- Place the EUT on a bench and set it in transmitting mode.
- Connect a low loss RF cable from the antenna port to a spectrum analyzer and CMW500 by a Directional Couple.
- EUT Communicate with CMW500 then selects a channel for testing.
- Add a correction factor to the display of spectrum, and then test.
- The resolution bandwidth of the spectrum analyzer was set sufficient scans were taken to show the out of band Emission if any up to 10th harmonic.

Radiated Spurious Measurement:

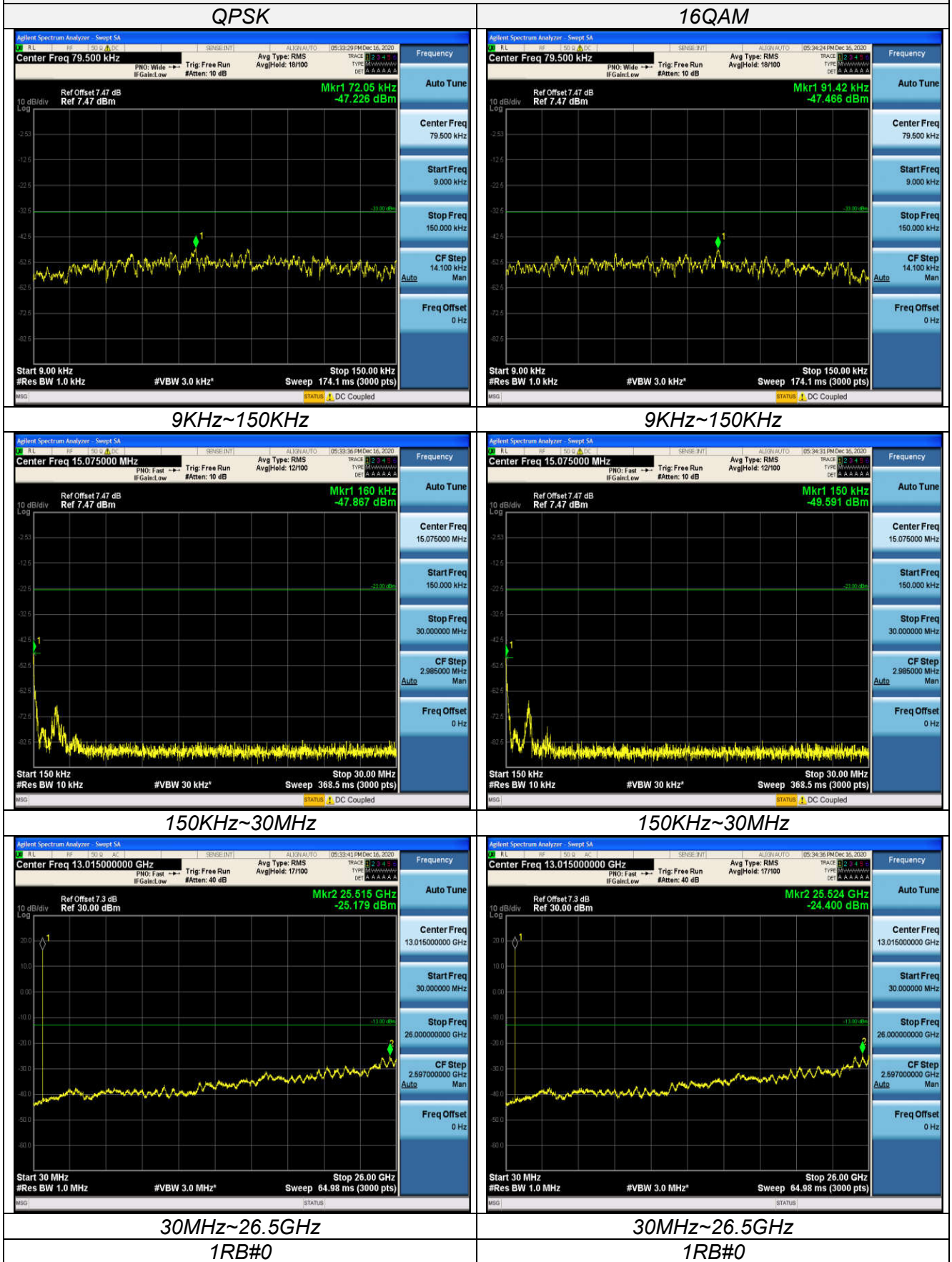
- a. The EUT shall be placed at the specified height on a support, and in the position closest to normal use as declared by provider.
- b. The test antenna shall be oriented initially for vertical polarization and shall be chosen to correspond to the frequency of the transmitter
- c. The output of the test antenna shall be connected to the measuring receiver.
- d. The transmitter shall be switched on and the measuring receiver shall be tuned to the frequency of the transmitter under test.
- e. The test antenna shall be raised and lowered through the specified range of height until a maximum signal level is detected by the measuring receiver.
- f. The transmitter shall then be rotated through 360° in the horizontal plane, until the maximum signal level is detected by the measuring receiver.
- g. The test antenna shall be raised and lowered again through the specified range of height until a maximum signal level is detected by the measuring receiver.
- h. The maximum signal level detected by the measuring receiver shall be noted.
- i. The transmitter shall be replaced by a substitution antenna.
- j. The substitution antenna shall be orientated for vertical polarization and the length of the substitution antenna shall be adjusted to correspond to the frequency of the transmitter.
- k. The substitution antenna shall be connected to a calibrated signal generator.
- l. If necessary, the input attenuator setting of the measuring receiver shall be adjusted in order to increase the sensitivity of the measuring receiver.
- m. The test antenna shall be raised and lowered through the specified range of height to ensure that the maximum signal is received.
- n. The input signal to the substitution antenna shall be adjusted to the level that produces a level detected by the measuring receiver, that is equal to the level noted while the transmitter radiated power was measured, corrected for the change of input attenuator setting of the measuring receiver.
- o. The measurement shall be repeated with the test antenna and the substitution antenna orientated for horizontal polarization.
- p. The measure of the effective radiated power is the larger of the two levels recorded at the input to the substitution antenna, corrected for gain of the substitution antenna if necessary.
- q. The resolution bandwidth of the spectrum analyzer was set at 100 kHz for Part 22 and 1MHz for Part 24. The frequency range was checked up to 10th harmonic.
- r. Test site anechoic chamber refer to ANSI C63.

TEST RESULTS*Remark:*

1. *We were tested all RB Configuration refer 3GPP TS136 521 for each Channel Bandwidth of LTE FDD Band 12; recorded worst case for each Channel Bandwidth of LTE FDD Band 12.*

Conducted Measurement:

LTE FDD Band 12-1.4MHz Channel Bandwidth
Low Channel



LTE FDD Band 12-1.4MHz Channel Bandwidth
Middle Channel

