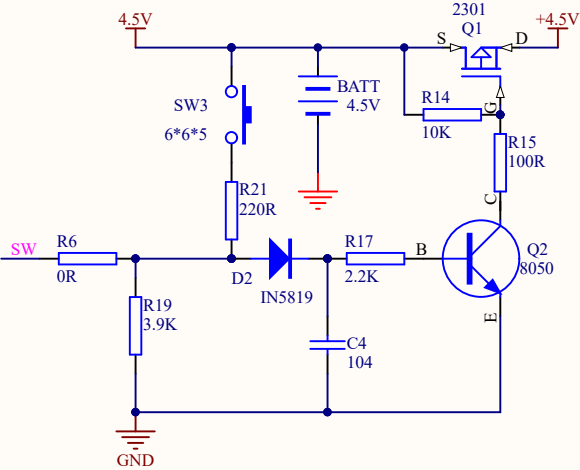
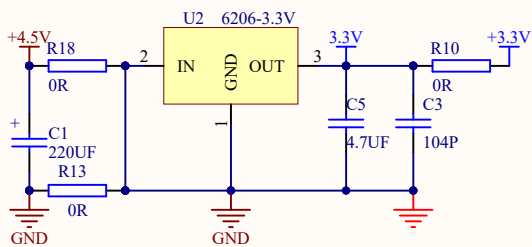


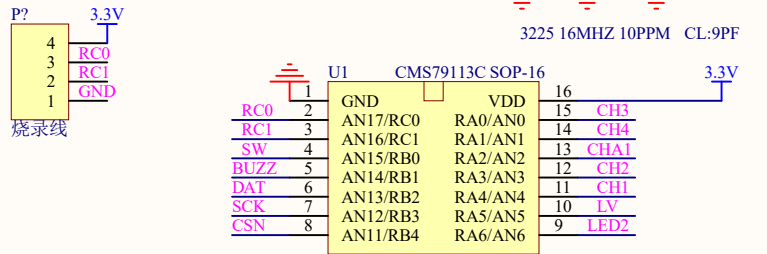
Universal potentiometer



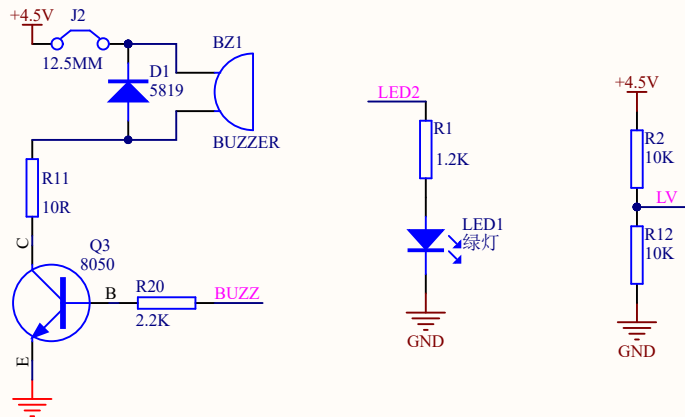
Switchgear circuit



Voltage regulator circuit

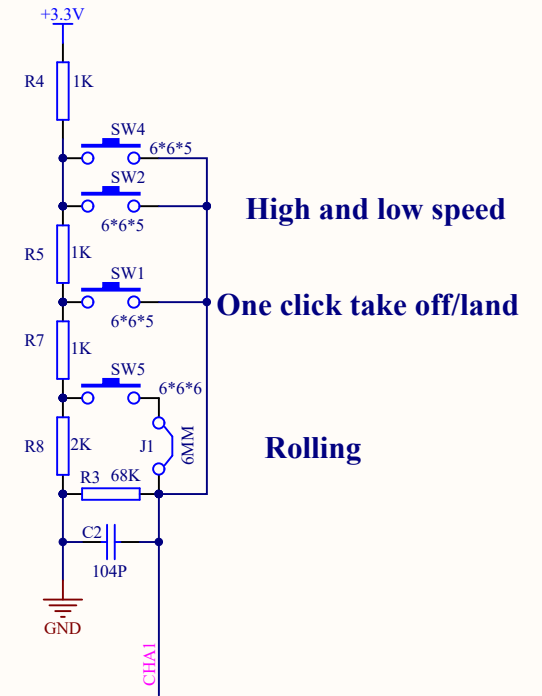


Master control and RF emission



Buzzer \ indicator \ low power

**LG-HKT-15 TX1
schematic diagram**



High and low speed

One click take off/land

Rolling

Function key