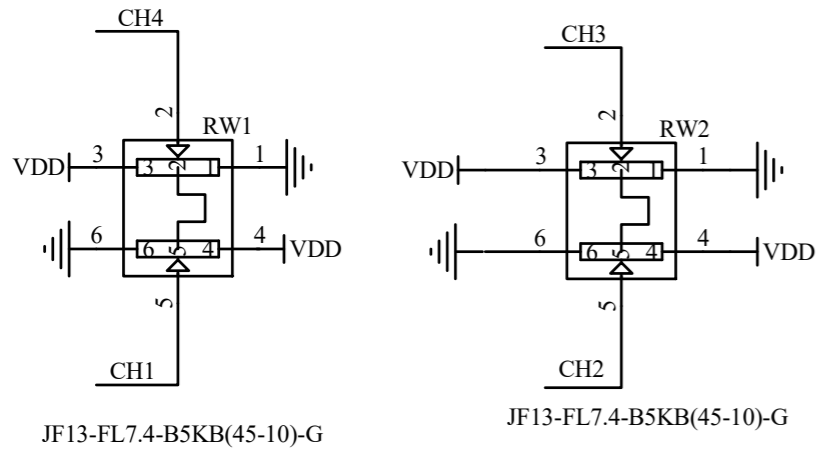


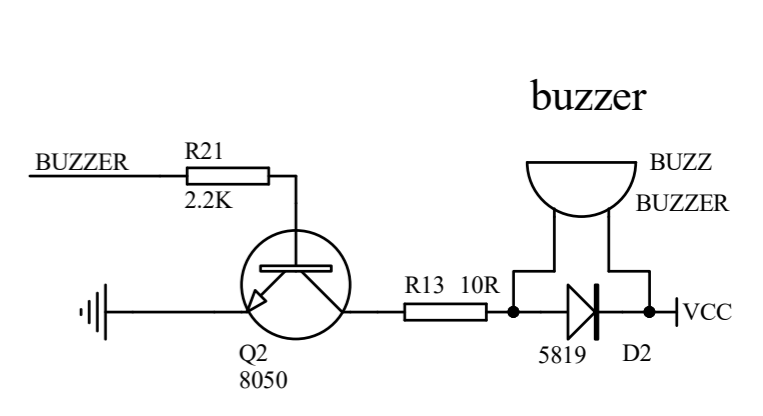
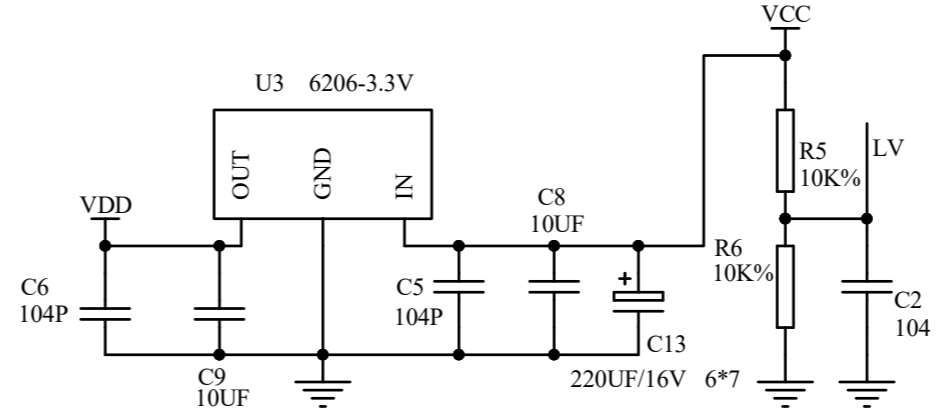
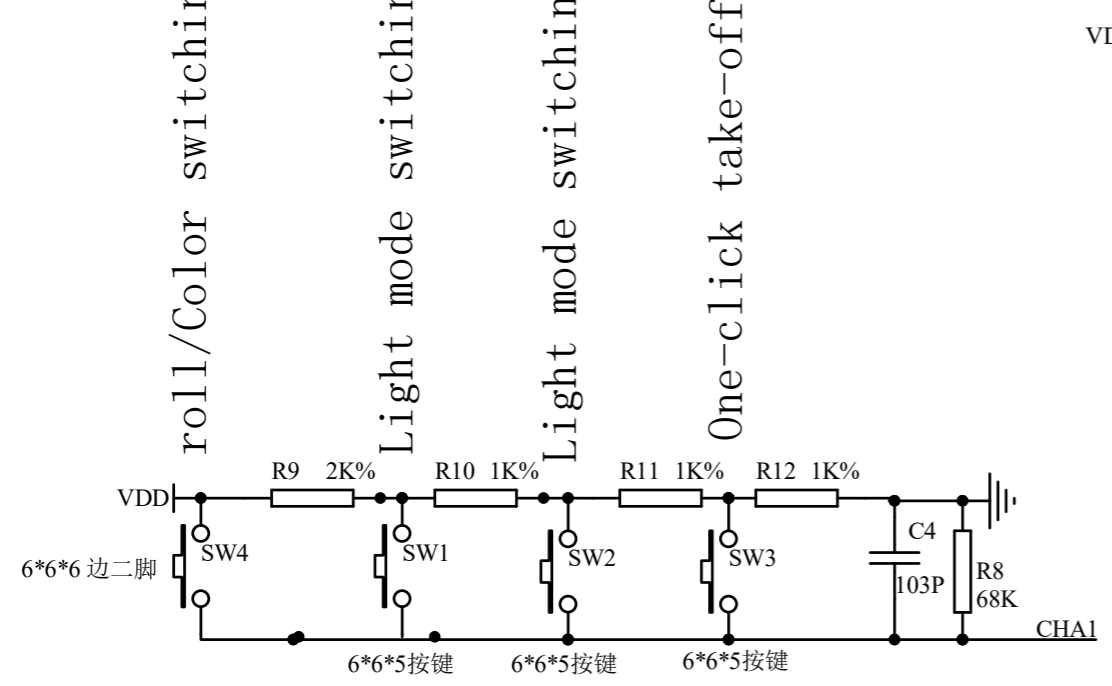
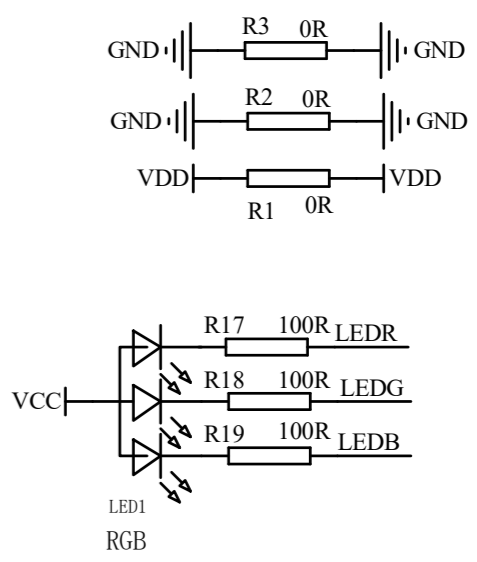
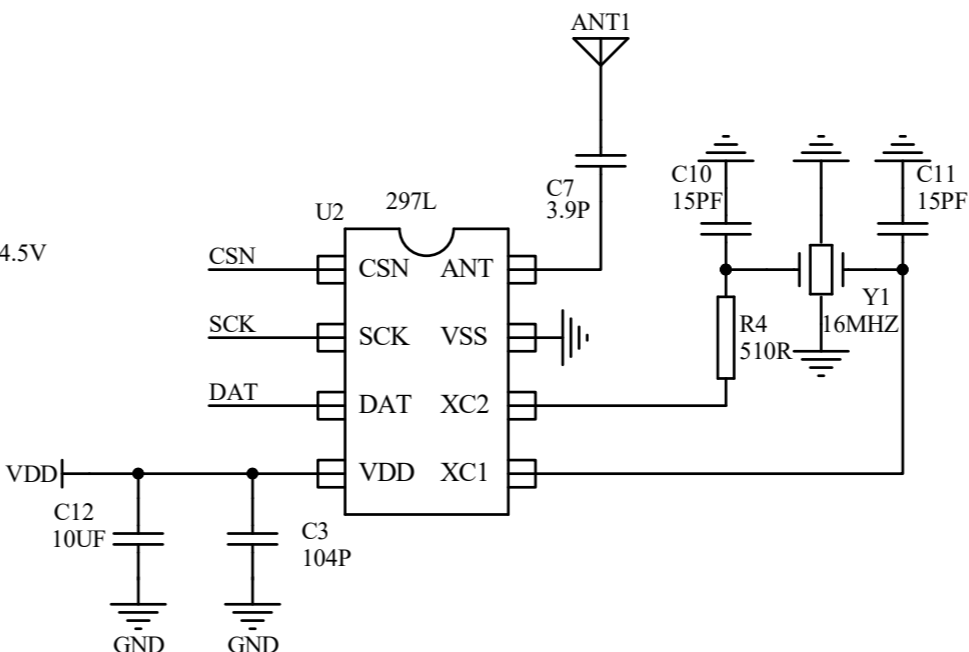
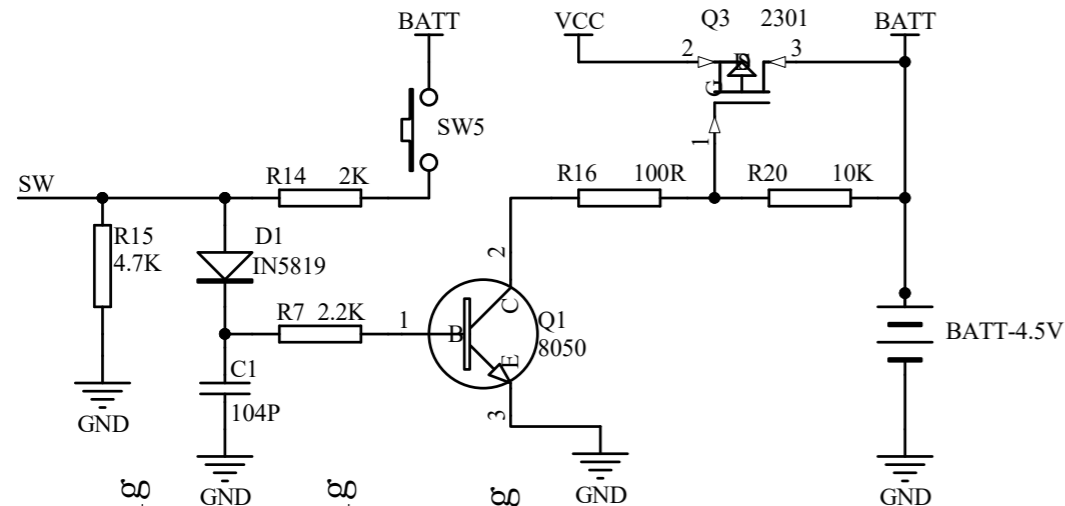
LGW-LED TX

2024.4.10



LV	1	PA2/ADC_IN2	PA1/ADC_IN1	20	CH1
LEDB	2	PA3/ADC_IN3	PA0/ADC_IN0	19	CH2
BUZZER	3	PA4/ADC_IN4	PF2-NRST	18	
CH4	4	PA5/ADC_IN5	PF1-OSC_OUT-	17	CSN
CH3	5	PA6/ADC_IN6	PF0-OSC_IN- (PF0)	16	SCK
CHA1	6	PA7/ADC_IN7	PF4-BOOT0	15	
GND	7	VSS	PB7/COMP2_INM	14	DAT
SW	8	PA12	PB6/COMP2_INP	13	LEDG
VDD	9	VCC	PB5	12	LEDR
SWDIO	10	PA13(SWDIO)	PA14(SWCLK)	11	SWCLK

U1
PY32F003



Low pressure detection