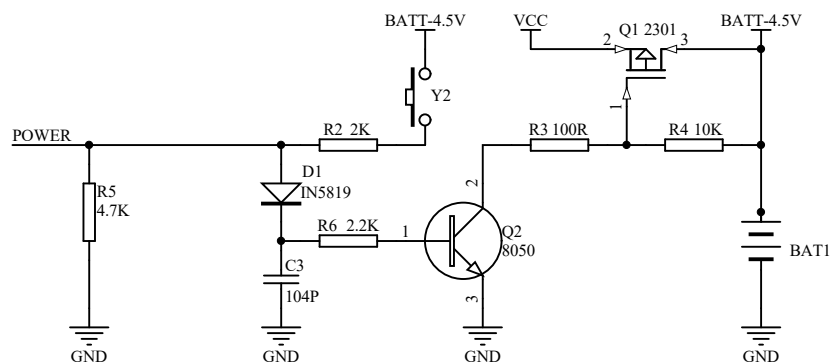
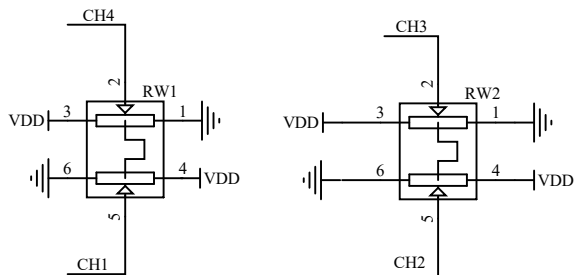


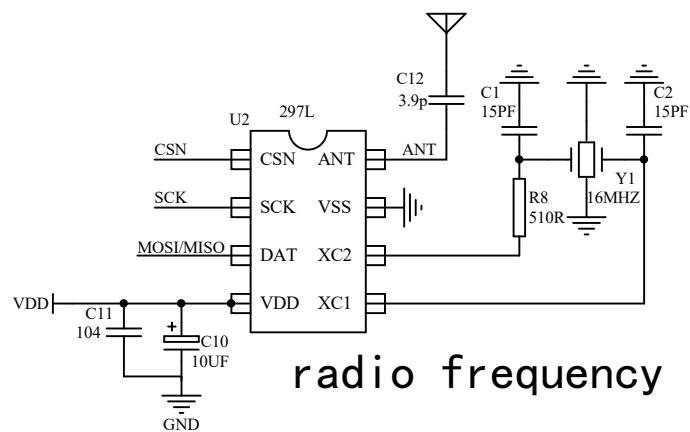
# Remote control schematic

LV	1	PA2/ADC_IN2	PA1/ADC_IN1	20	POWER
CH4	2	PA3/ADC_IN3	PA0/ADC_IN0	19	LED2
CH1	3	PA4/ADC_IN4	PF2-NRST	18	RST
CH2	4	PA5/ADC_IN5	PF1-OSC_OUT-	17	LED4
CH3	5	PA6/ADC_IN6	PF0-OSC_IN- PF0	16	BUZZER
CHA1	6	PA7/ADC_IN7	PF4-BOOT0	15	
GND	7	VSS	PB7/COMP2_INM	14	CSN
LED1	8	PA12	PB6/COMP2_INP	13	SCK
VDD	9	VCC	PB5	12	MOSI/MISO
DAT	10	PA13(SWDIO)	PA14(SWCLK)	11	CLK/LED3

U1  
PY32F003

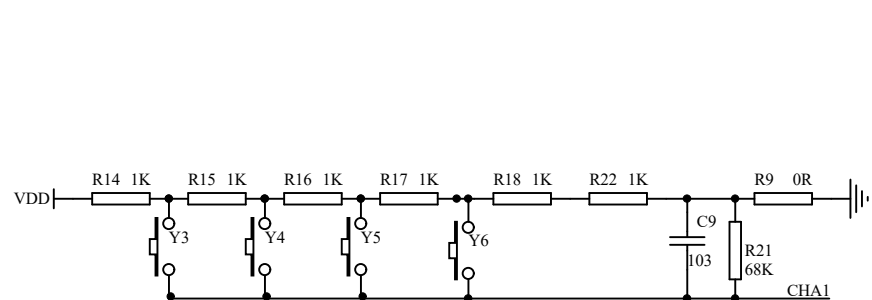
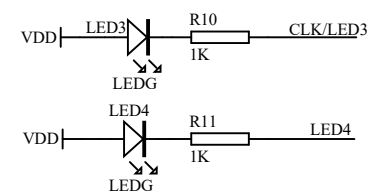


Switch circuit



radio frequency

light drive circuit



Low voltage detection

Buzzer drive circuit

