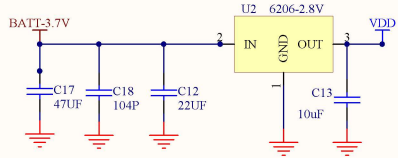
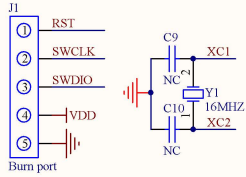
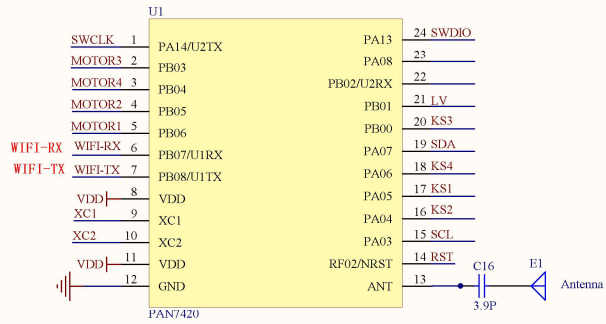
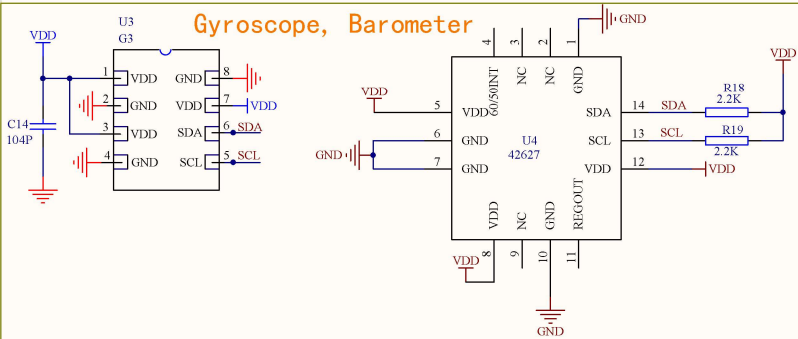


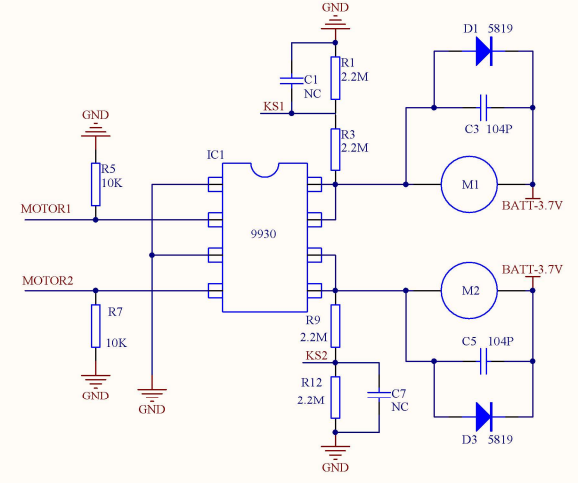
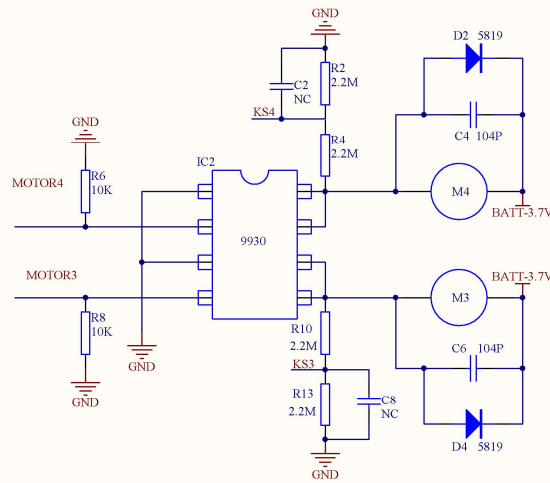
schematic diagram



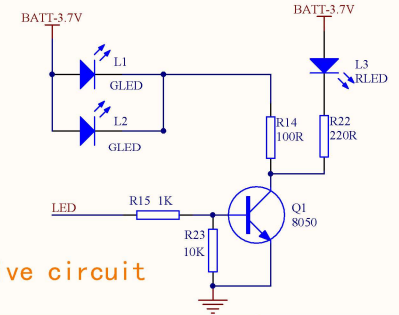
Gyroscope, Barometer



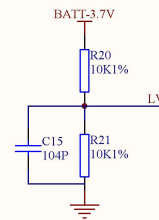
Motor drive circuit



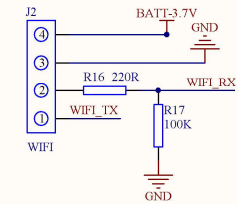
light drive circuit



Low voltage circuit

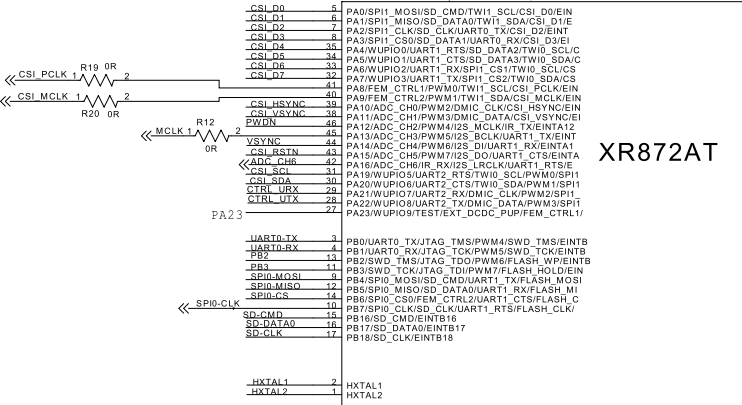


WIFI



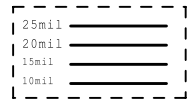
WiFi&MCU

XR872AT is a highly integrated low-power WLAN/AUDIO Microcontroller SOC.

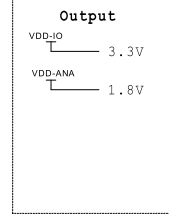
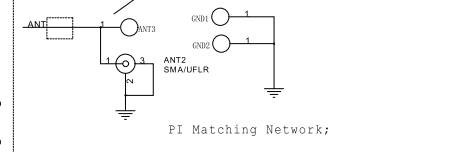


XR872AT

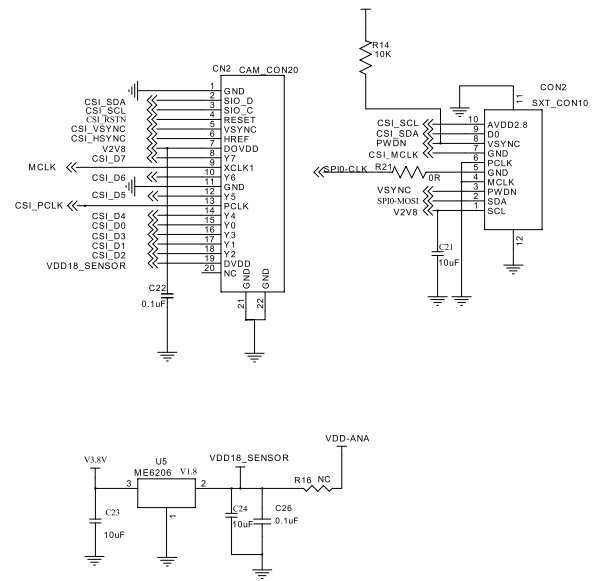
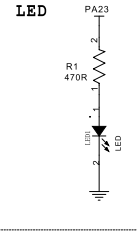
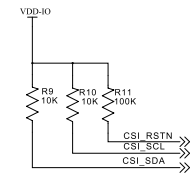
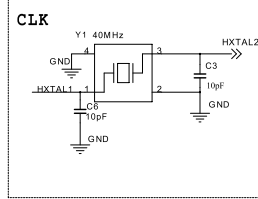
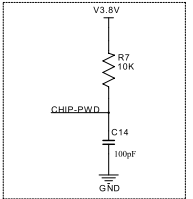
POWER INPUT
 VCC-BAT: 1.8V-5.5V 600mA
 VDD-ANA: Supply PSRAM, 1.8V
 VDD-IO : Supply Peripheral, 1.8V/3.3V.
 3.3V supplied by VDD-EXT (Imax=200mA@3.3V),
 1.8V supplied by VDD-ANA (Imax=300mA@1.8V).



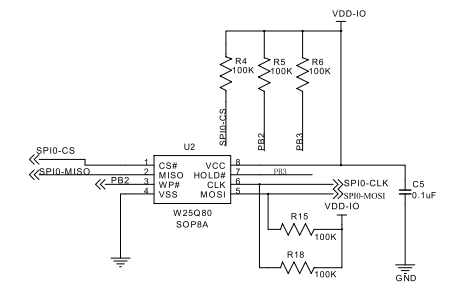
Antenna



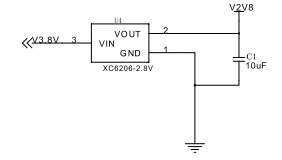
CHIP-RESET



FLASH



CSI POWER



flash download test

