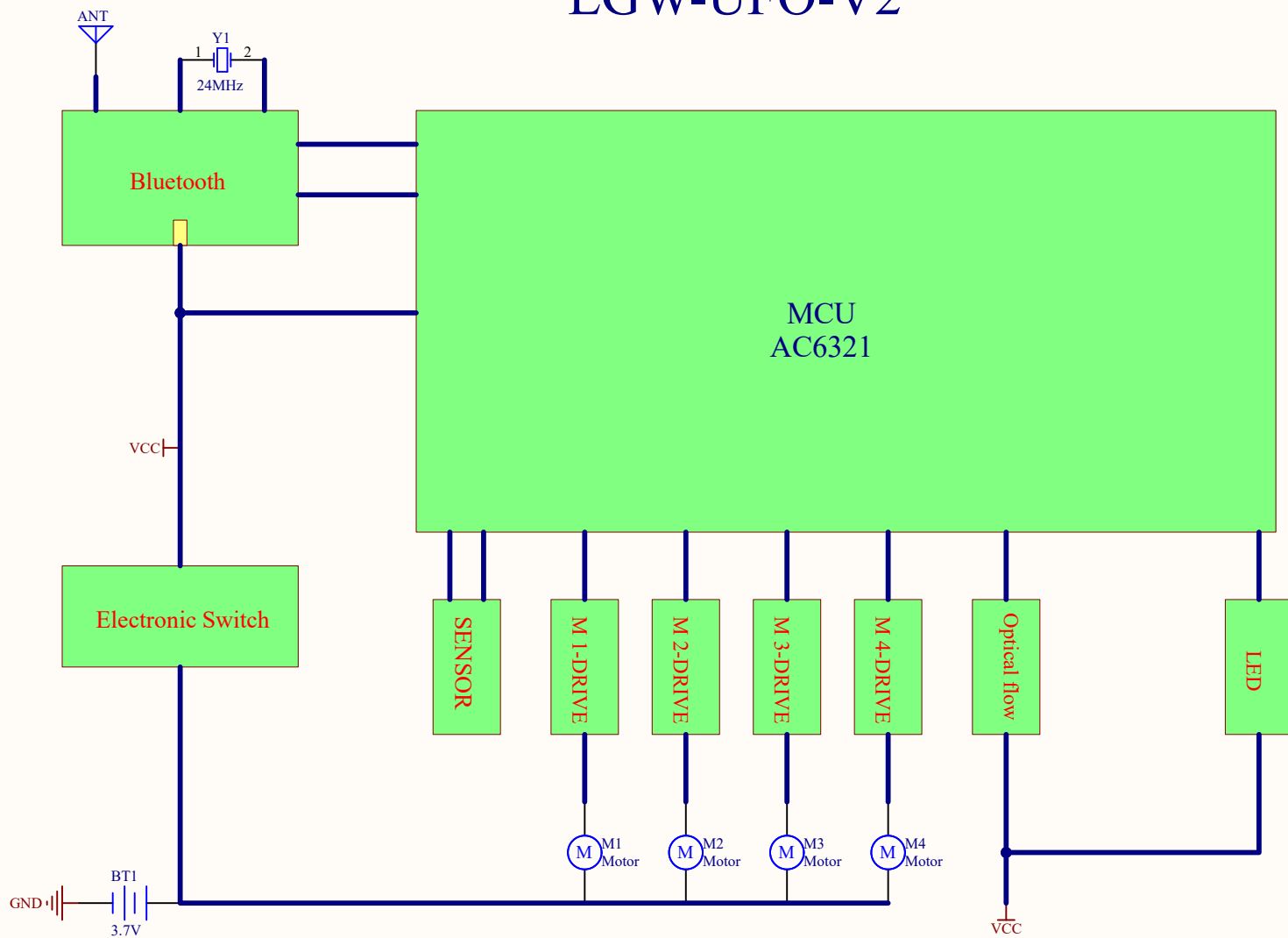


LGW-UFO-V2



RX_Block diagram