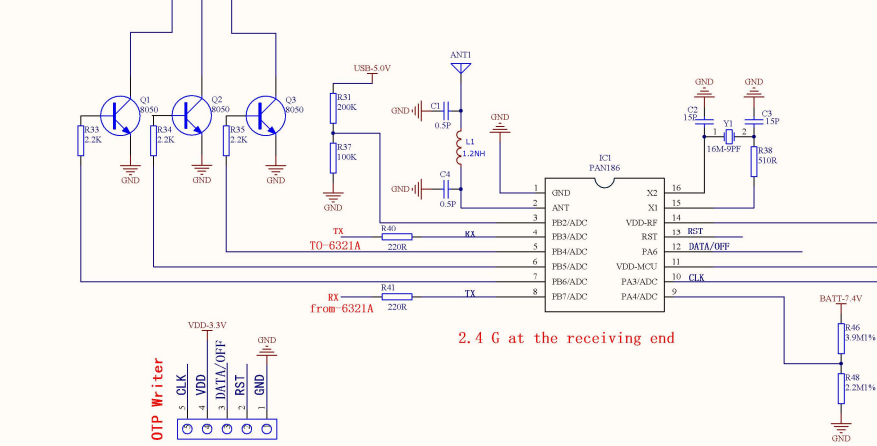
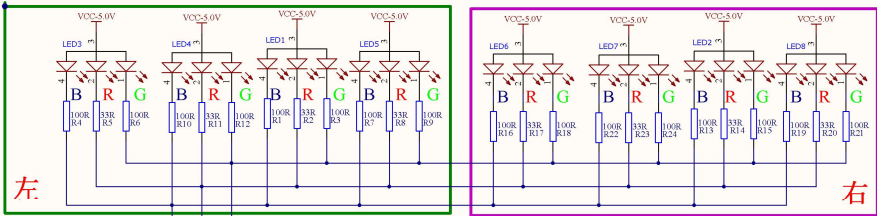
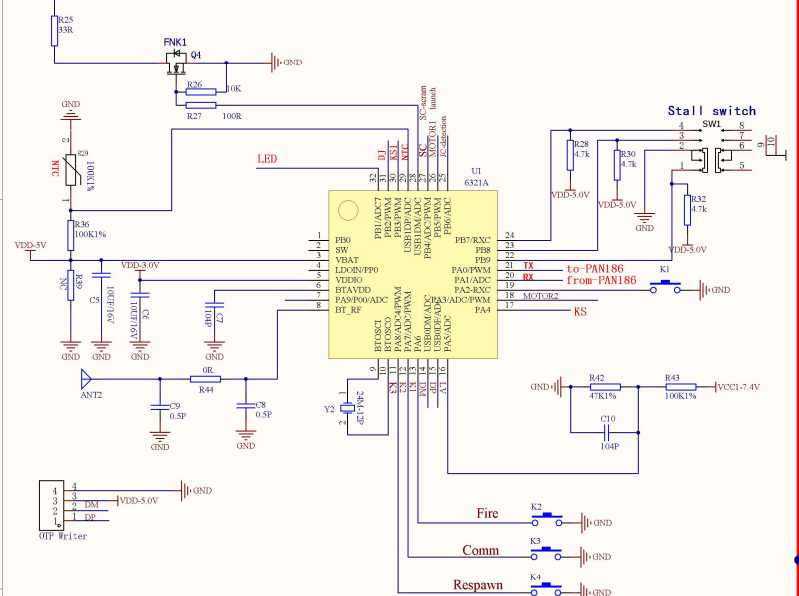
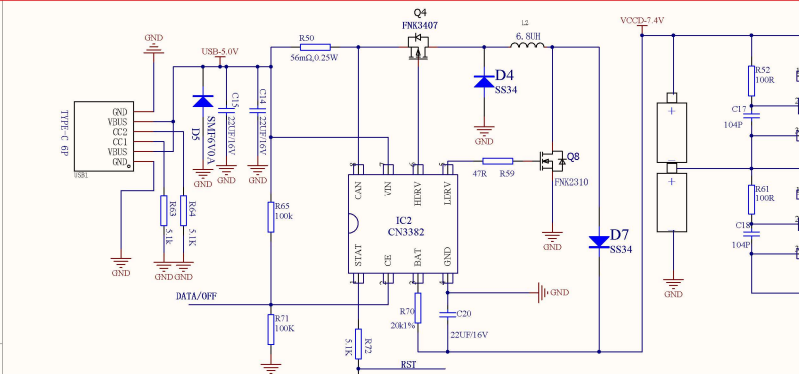


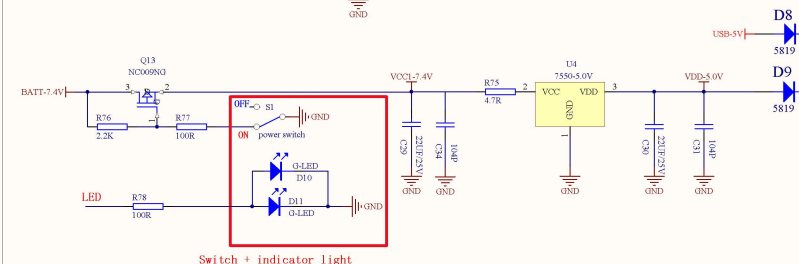
Sentinel- V1.6
Schematic diagram



2.4 G at the receiving end

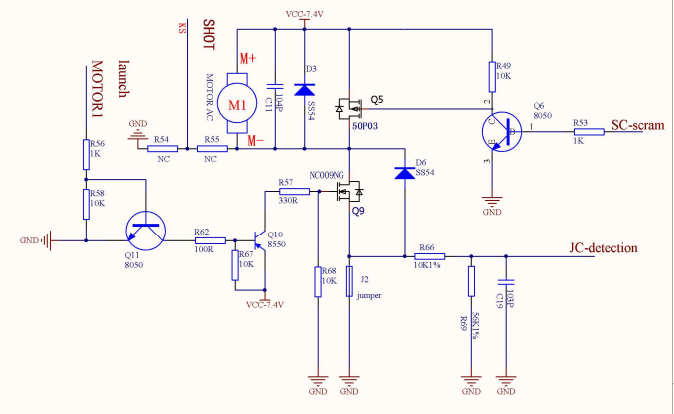
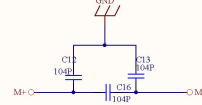


electronic switch/LDO

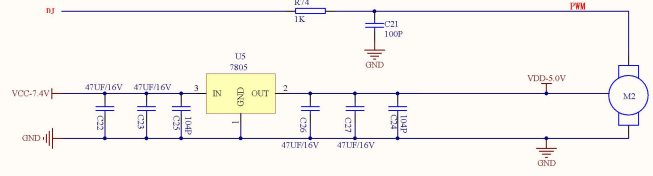


Switch + indicator light

actuate



LDO



Title			
Size	Number	Revision	
A2			
Date	2023/6/8	Sheet of	
File	Y:\3-PC\PCB\1-3-GW-SBQ-V1.6 (Sentinel)	16/21	