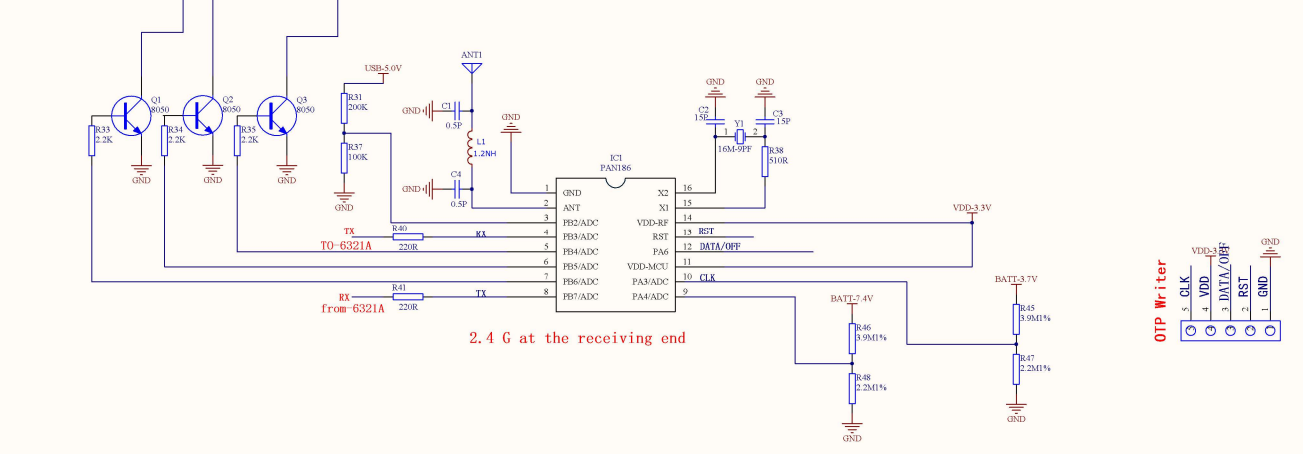
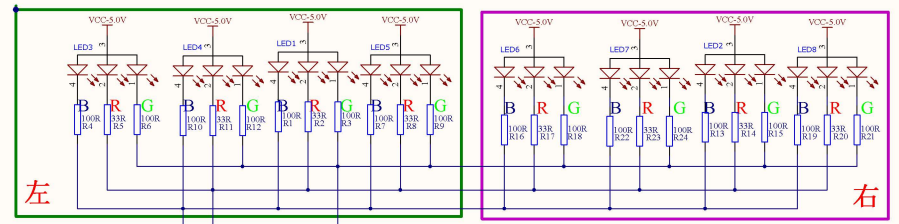
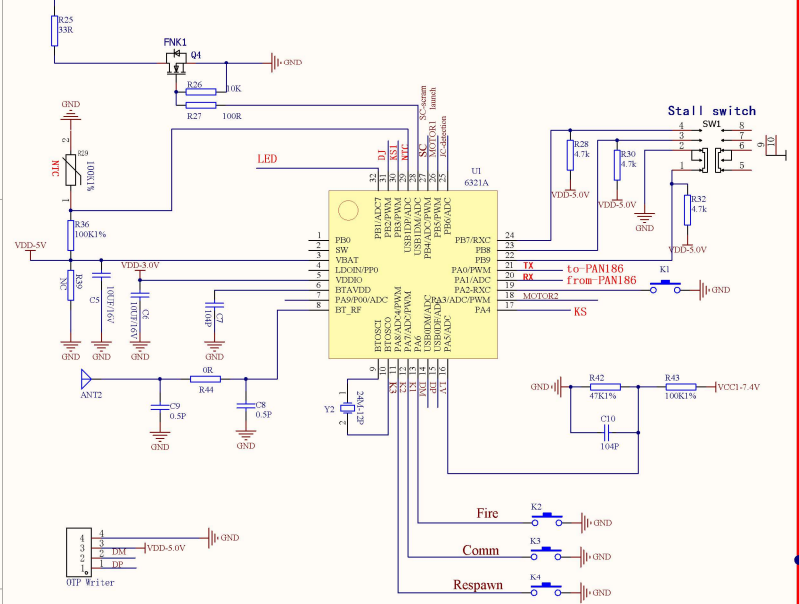
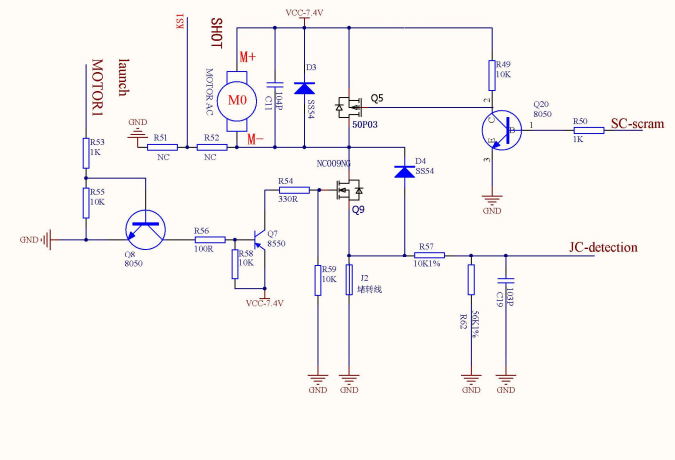
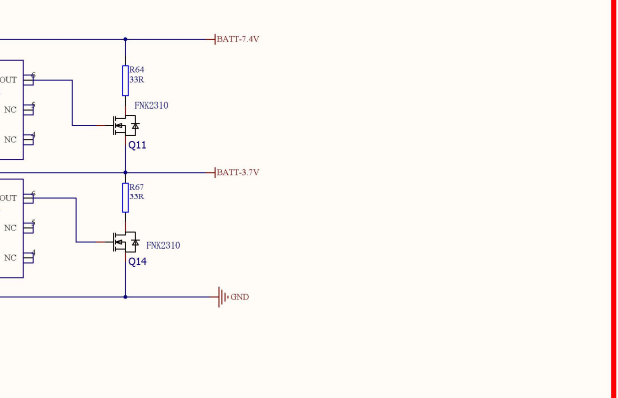
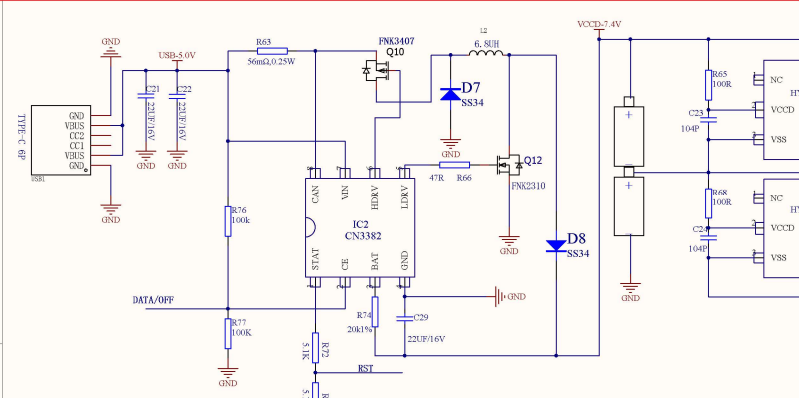
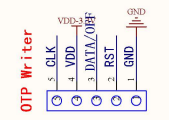


HAVOC - V1.6  
Schematic diagram

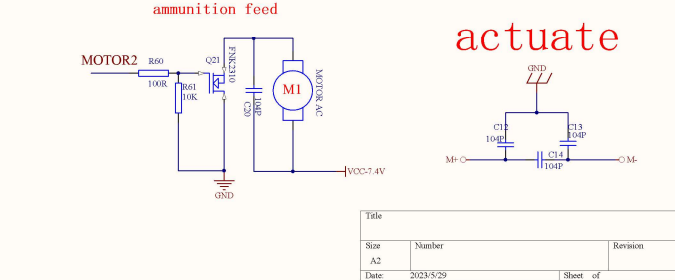
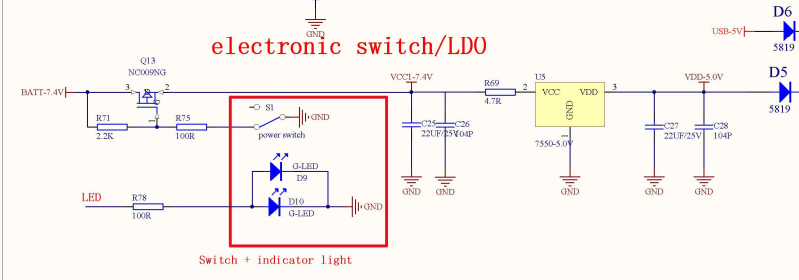


2.4 G at the receiving end



ammunition feed

actuate



Title	Number	Revision
Size	A2	
Date	2023/5/29	Sheet of
File	C:\Users\LGW\Documents\HAVOC\BOM\BOM	