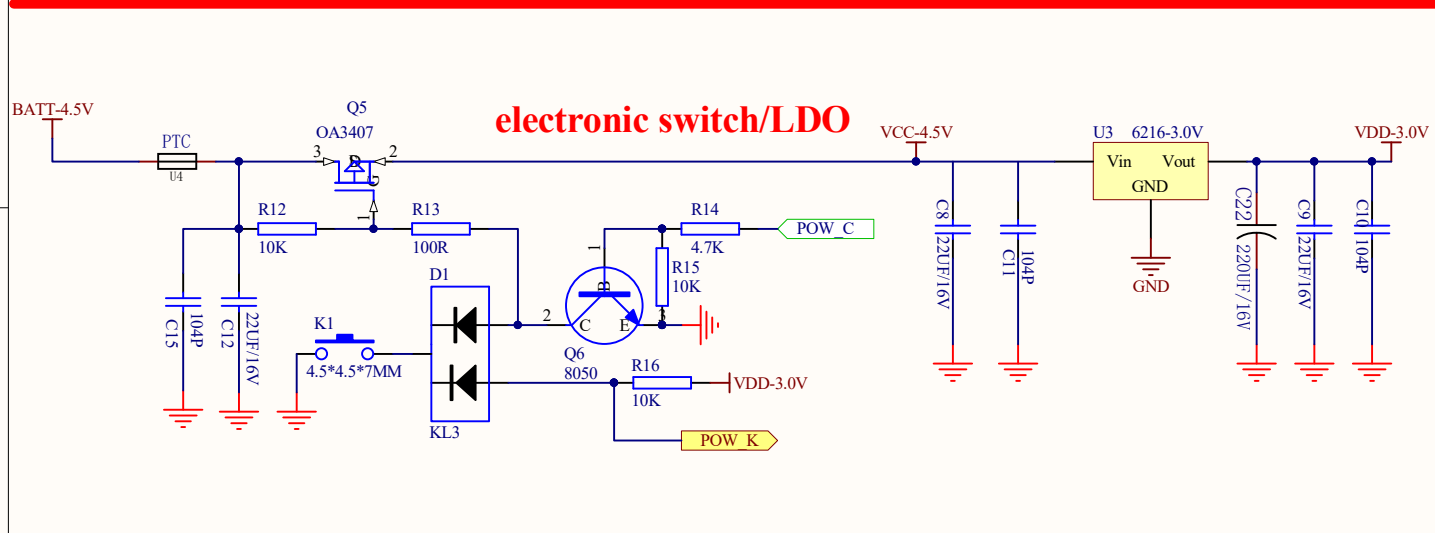
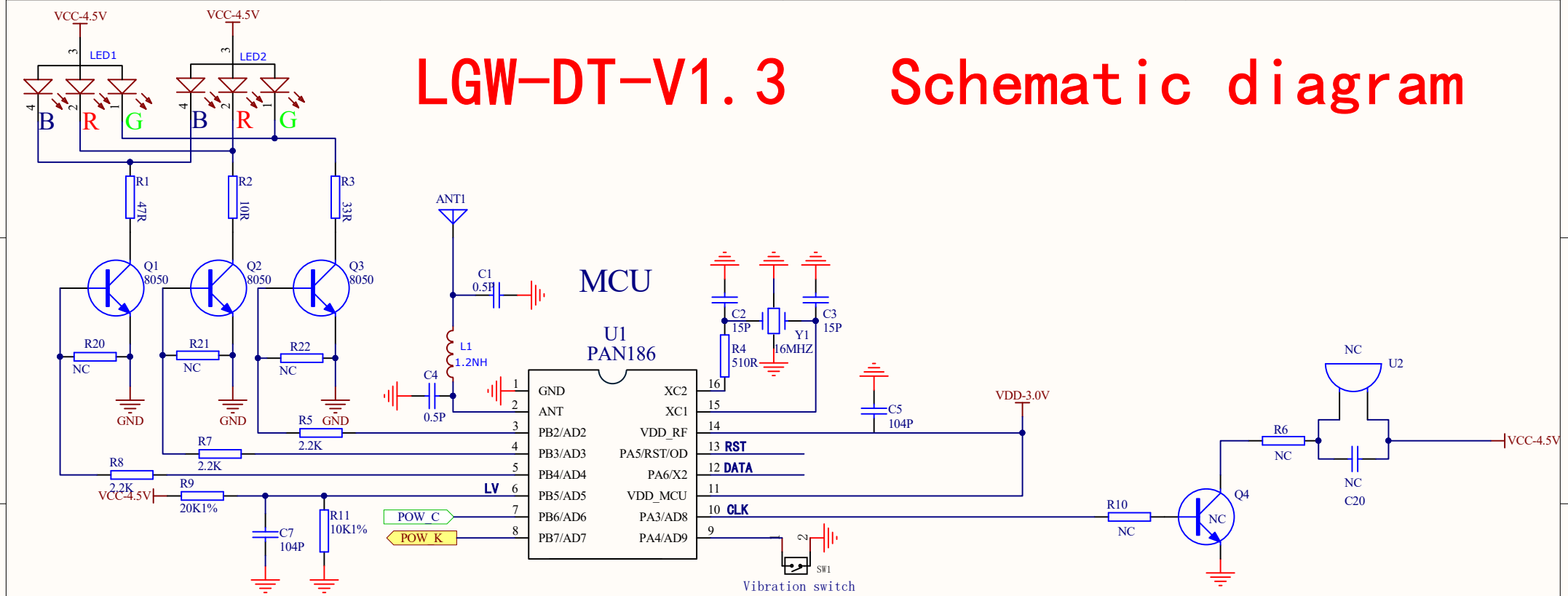


LGW-DT-V1.3 Schematic diagram



Title		
Size A4	Number	Revision
Date: 2023/5/26	Sheet of	
File: C:\Users\...\LGW-DT-V1.3 原理图.SchDoc	Drawn By:	