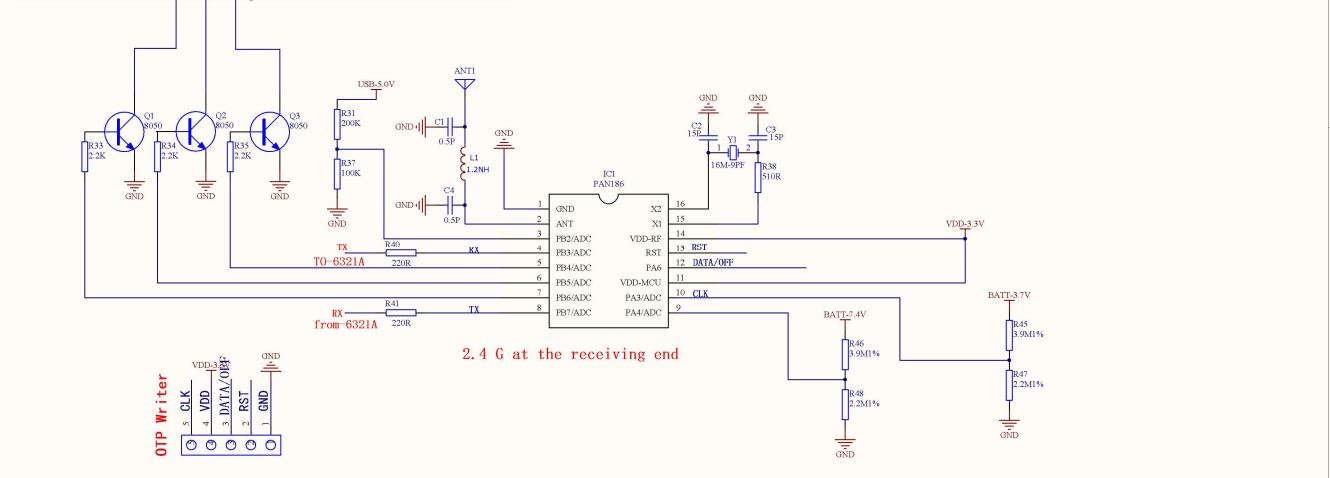
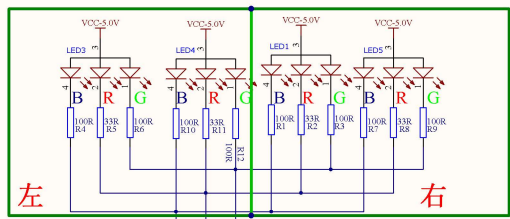
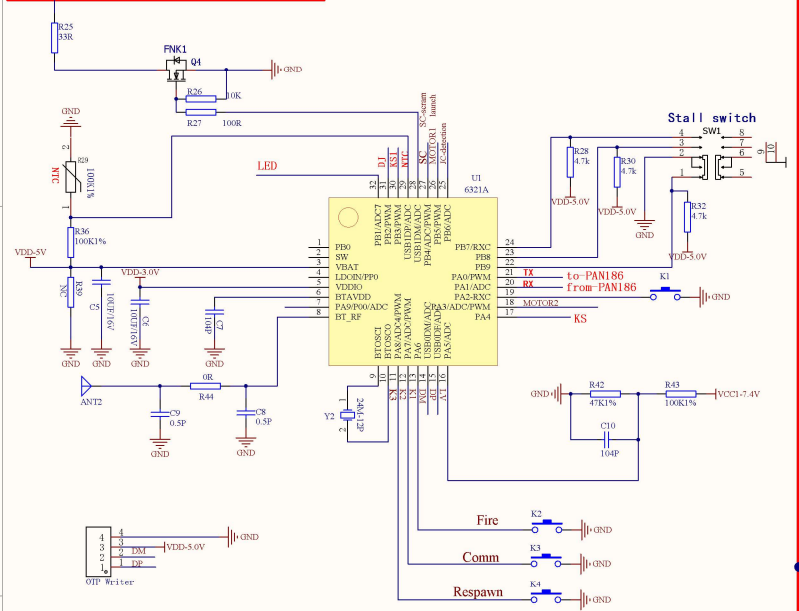
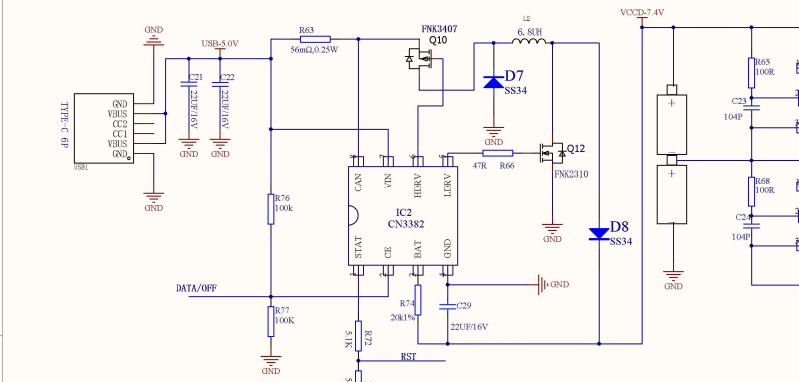


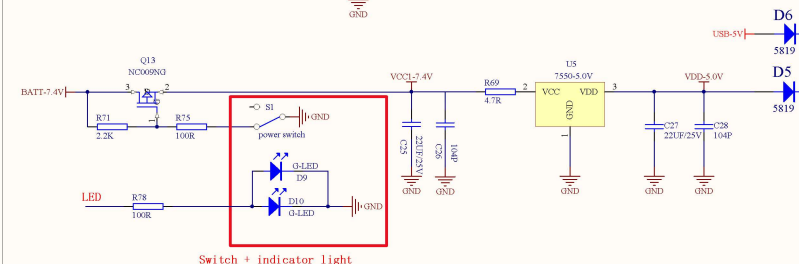
Spectre - V1.6
Schematic diagram



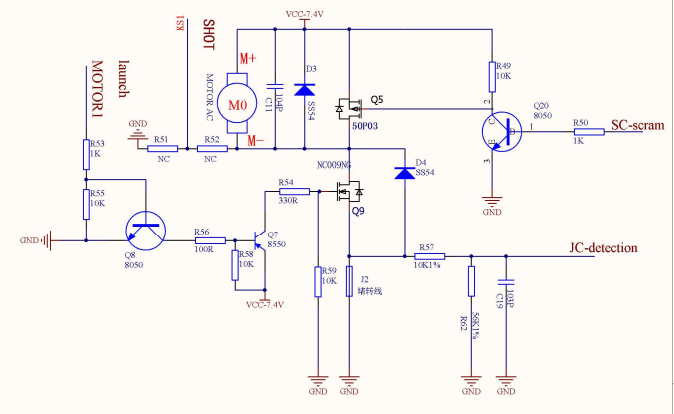
2.4 G at the receiving end



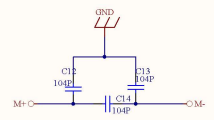
electronic switch/LDO



Switch + indicator light



actuate



Title		
Size	Number	Revision
A2		
Date	2023/6/6	Sheet of
File	C:\Users\LGW\Documents\Spectre - V1.6	Sheet of