

1

2

3

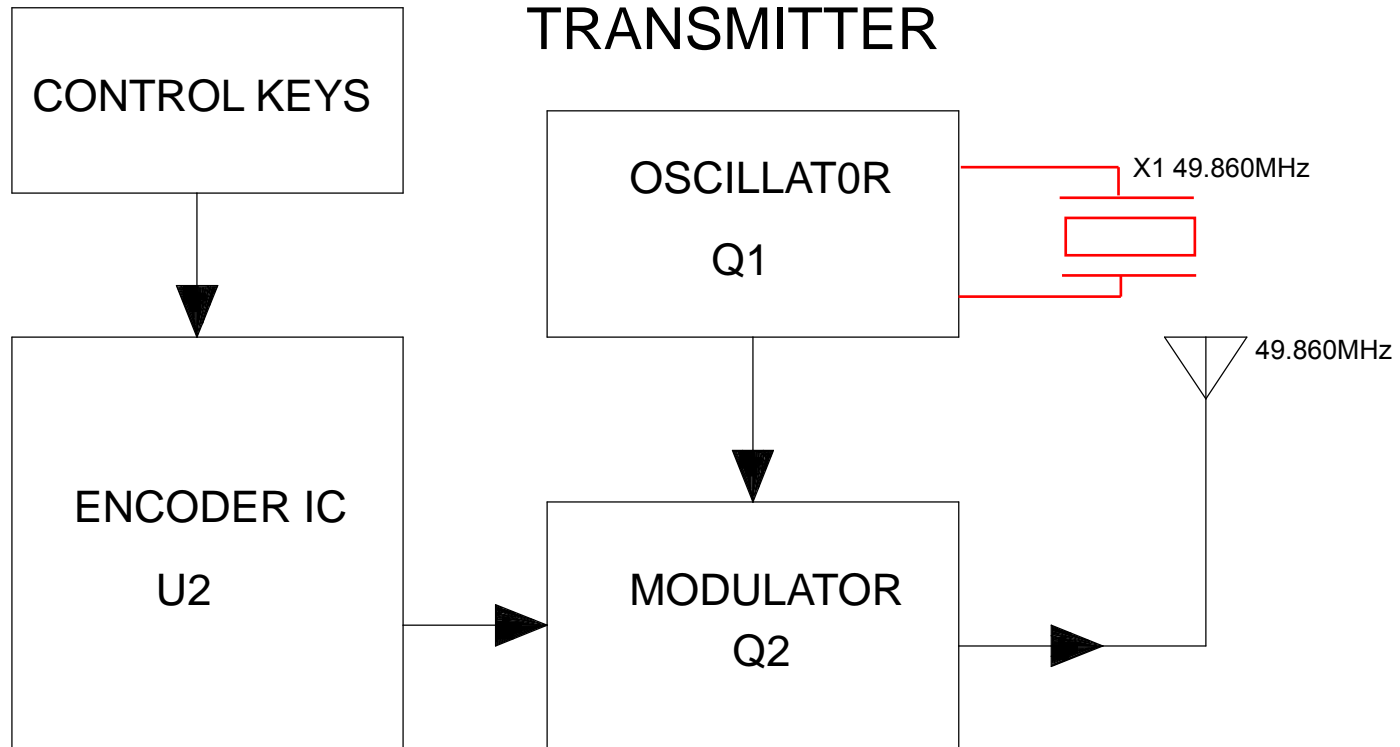
4

5

6

PAGE:				
DOC.No:				
Item	Change content	Date	Change point	Remark

# 05301208 # SR006 RACER ( 49.860MHZ ) TRANSMITTER



05301208

Description: 49.860MHZ			Item No: SR006		
Drawn by: CSS	Checked by: JOHN	Approved by: ZCQ	Item Name: RC CENTIPEDE		
TAT KEI WAH SING ELECTRONIC (SHENZHEN) CO.,LTD.			Date: 2013-4-22	Size: A4	Rev: A0
DWG.No: OE13519A			Rev: A0		

1

2

3

4

5

6