

1

2

3

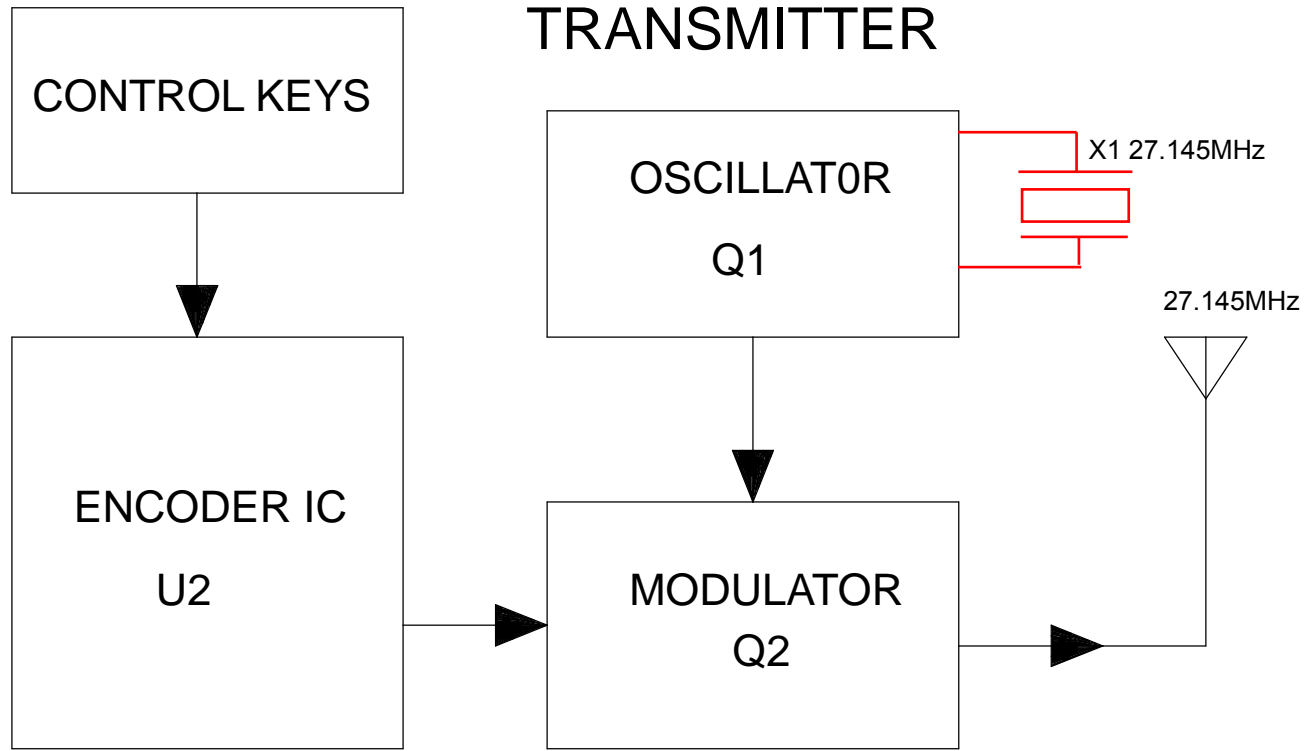
4

5

6

PAGE:				
DOC.No:				
Item	Change content	Date	Change point	Remark

# 05301208 # SR006 RACER ( 27.145MHZ ) TRANSMITTER



05301208

Description: 27.145MHZ		Item No: SR006	
Drawn by: CSS	Checked by: JOHN	Approved by: ZCQ	Item Name: RC CENTIPEDE
Date: 2013-4-22		Size: A4	Rev: A0
TAT KEI WAH SING ELECTRONIC (SHENZHEN) CO.,LTD.		DWG.No: OE13518A	Rev: A0

1

2

3

4

5

6